



US00D912999S

(12) **United States Design Patent** (10) **Patent No.:** **US D912,999 S**
Diez (45) **Date of Patent:** **** Mar. 16, 2021**

(54) **STOOL FURNITURE**

(56) **References Cited**

(71) Applicant: **E15 Design und Distributions GmbH,**
Frankfurt am Main (DE)

U.S. PATENT DOCUMENTS

(72) Inventor: **Stefan Diez,** Munich (DE)

D700,447 S *	3/2014	Diez	D6/360
D785,352 S *	5/2017	Holbrook	D6/352
D792,119 S *	7/2017	Beckman	D6/352
D794,970 S *	8/2017	Waldner	D6/352
D811,761 S *	3/2018	Morrison	D6/352
D830,711 S *	10/2018	Itzhak-Sigron	D6/352
D836,352 S *	12/2018	Gelman	D6/349
D876,850 S *	3/2020	Barber	D6/352
D877,525 S *	3/2020	Novak	D6/360
D891,796 S *	8/2020	Li	D6/349
D891,800 S *	8/2020	Li	D6/360
D894,624 S *	9/2020	Gfesser	D6/360

(**) Term: **15 Years**

(21) Appl. No.: **35/507,980**

(22) Filed: **Oct. 28, 2019**

(80) **Hague Agreement Data**

Int. Filing Date: **Oct. 28, 2019**

Int. Reg. No.: **DM/204389**

Int. Reg. Date: **Oct. 28, 2019**

Int. Reg. Pub. Date: **Dec. 6, 2019**

* cited by examiner

Primary Examiner — Bao-Yen T Nguyen

(51) **LOC (13) Cl.** **06-01**

(57) **CLAIM**

(52) **U.S. Cl.**

The ornamental design for stool furniture, as shown and described.

USPC **D6/352**

(58) **Field of Classification Search**

DESCRIPTION

USPC D6/334–338, 340–343, 349–353, 355,

D6/360, 364, 365, 406.2, 574, 596, 597,

D6/601, 604, 716, 716.1, 716.3

CPC A47B 7/00–02; A47C 11/00; A47C 12/00;

A47C 13/00; A47C 16/00; A47C

16/02–04; A47C 9/00–105; A47K 17/02;

A47K 17/028

1. Stool furniture

1.1: Perspective View

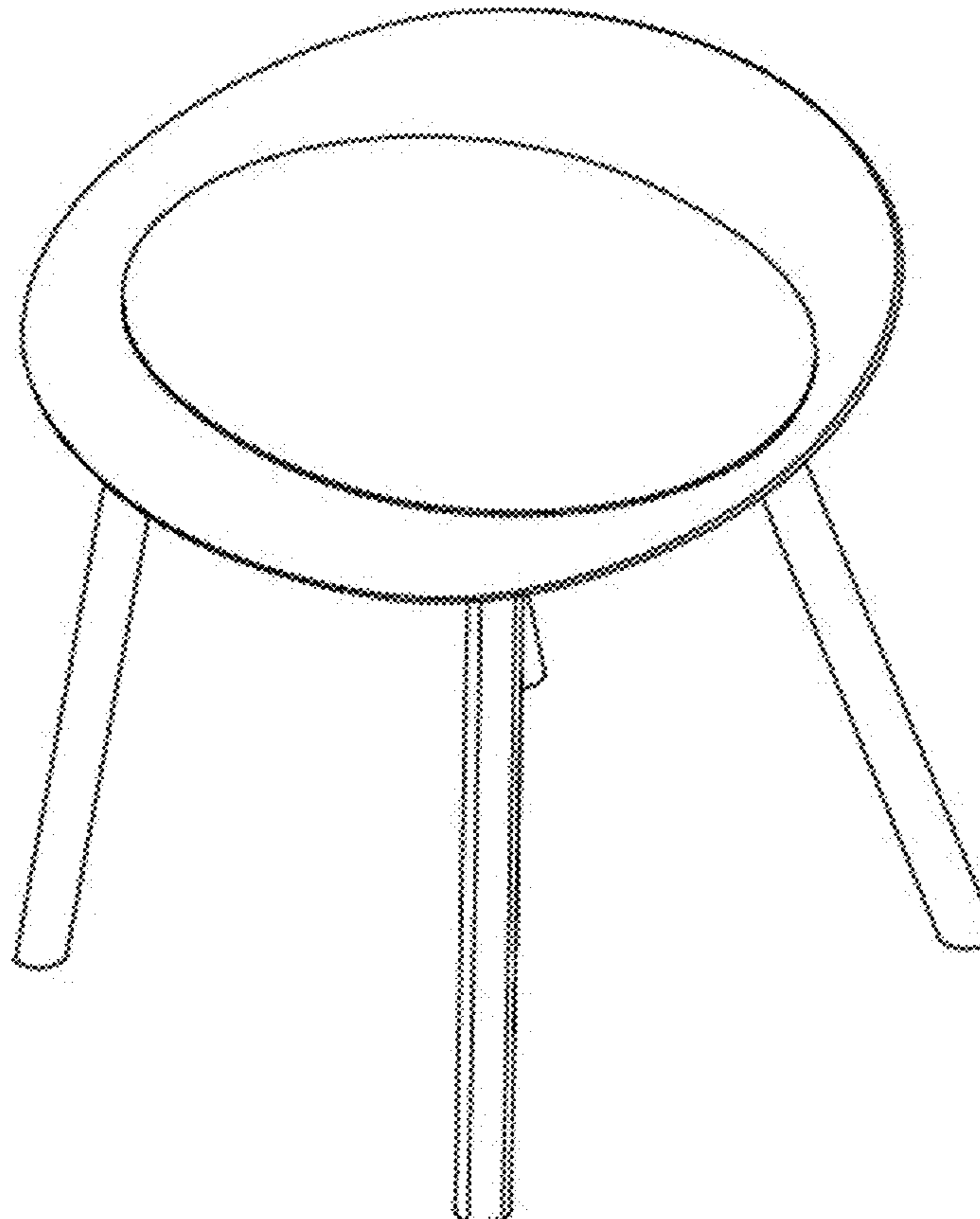
1.2: Front View

1.3: Side View

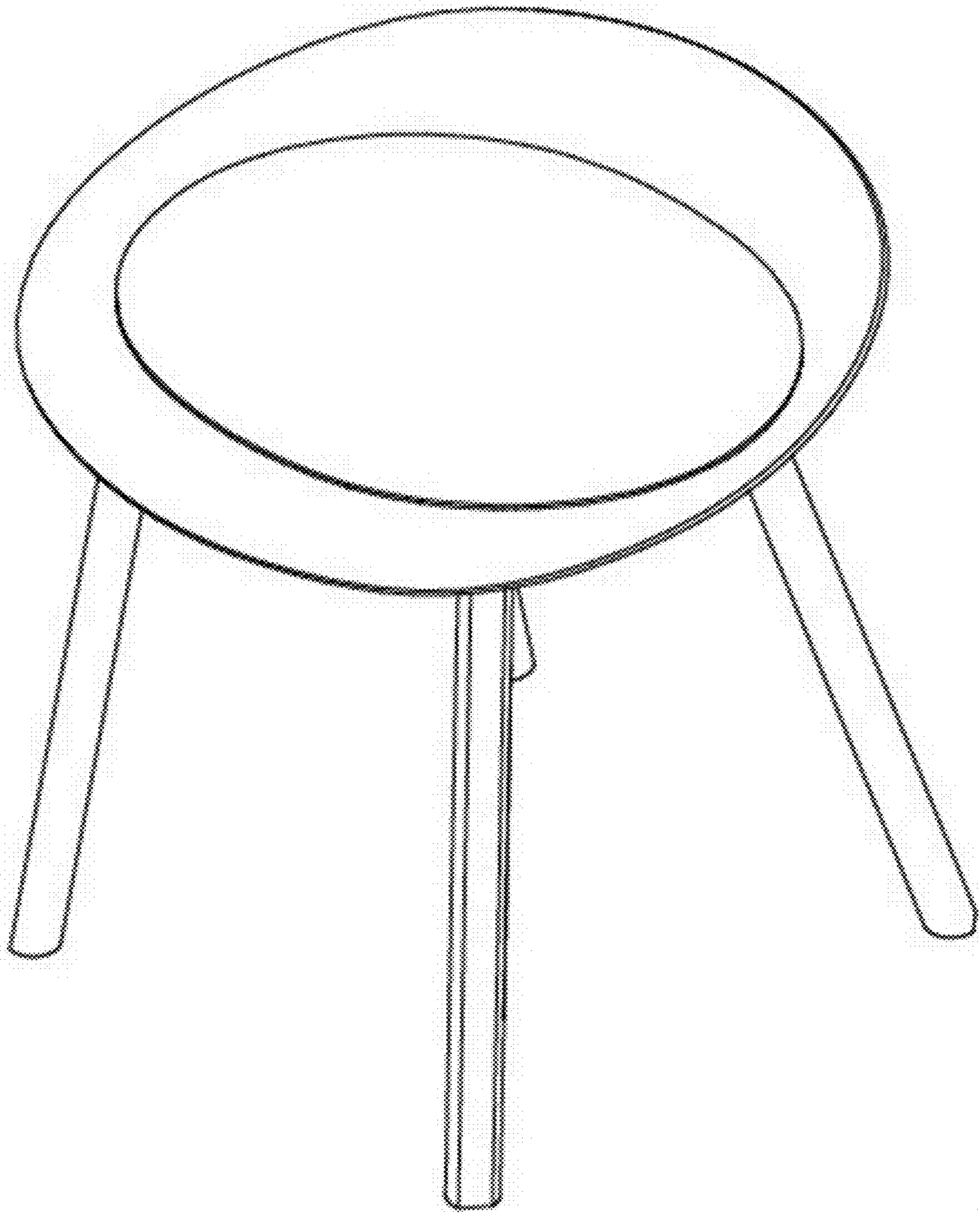
1.4: Top View

See application file for complete search history.

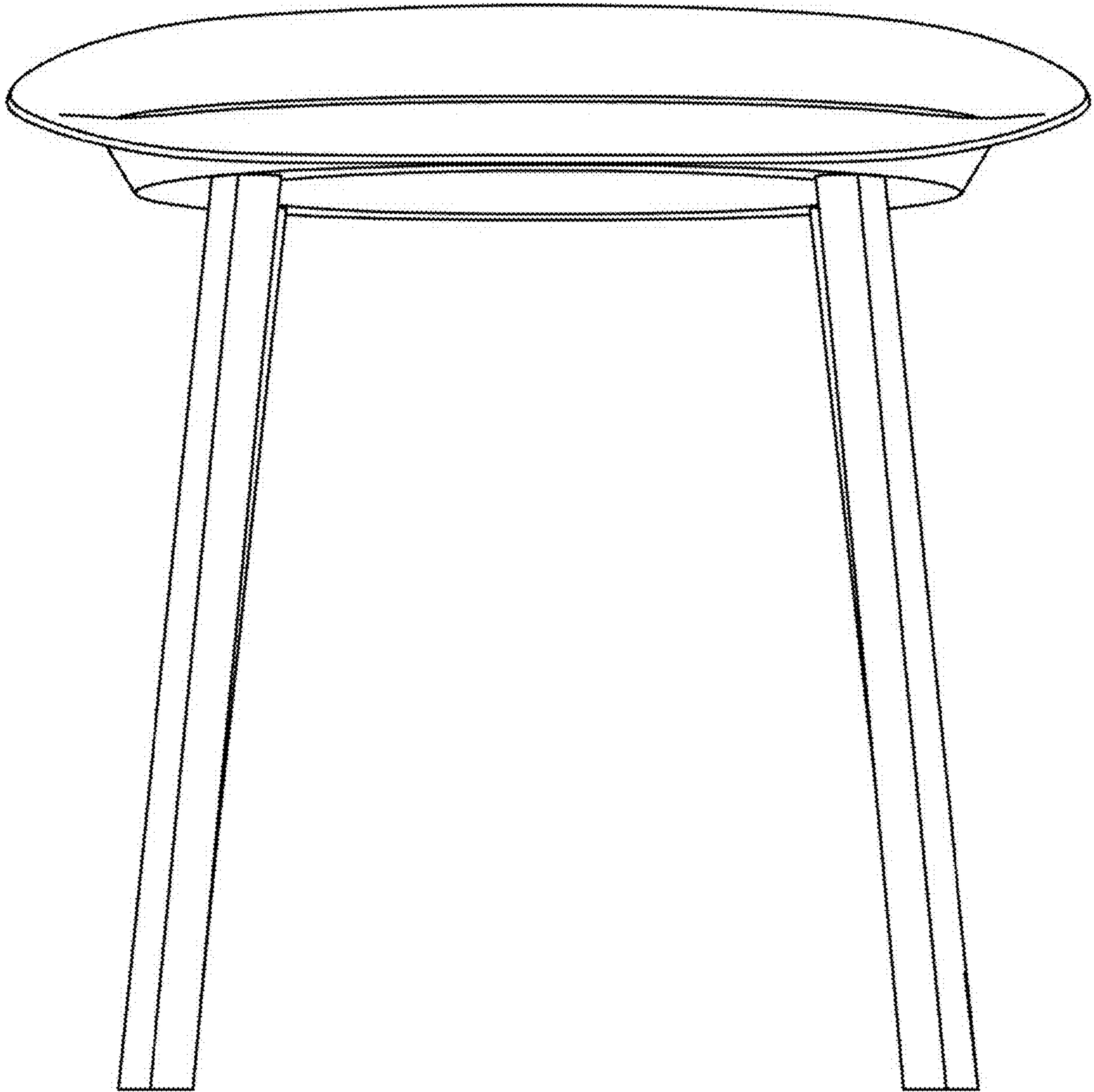
1 Claim, 4 Drawing Sheets



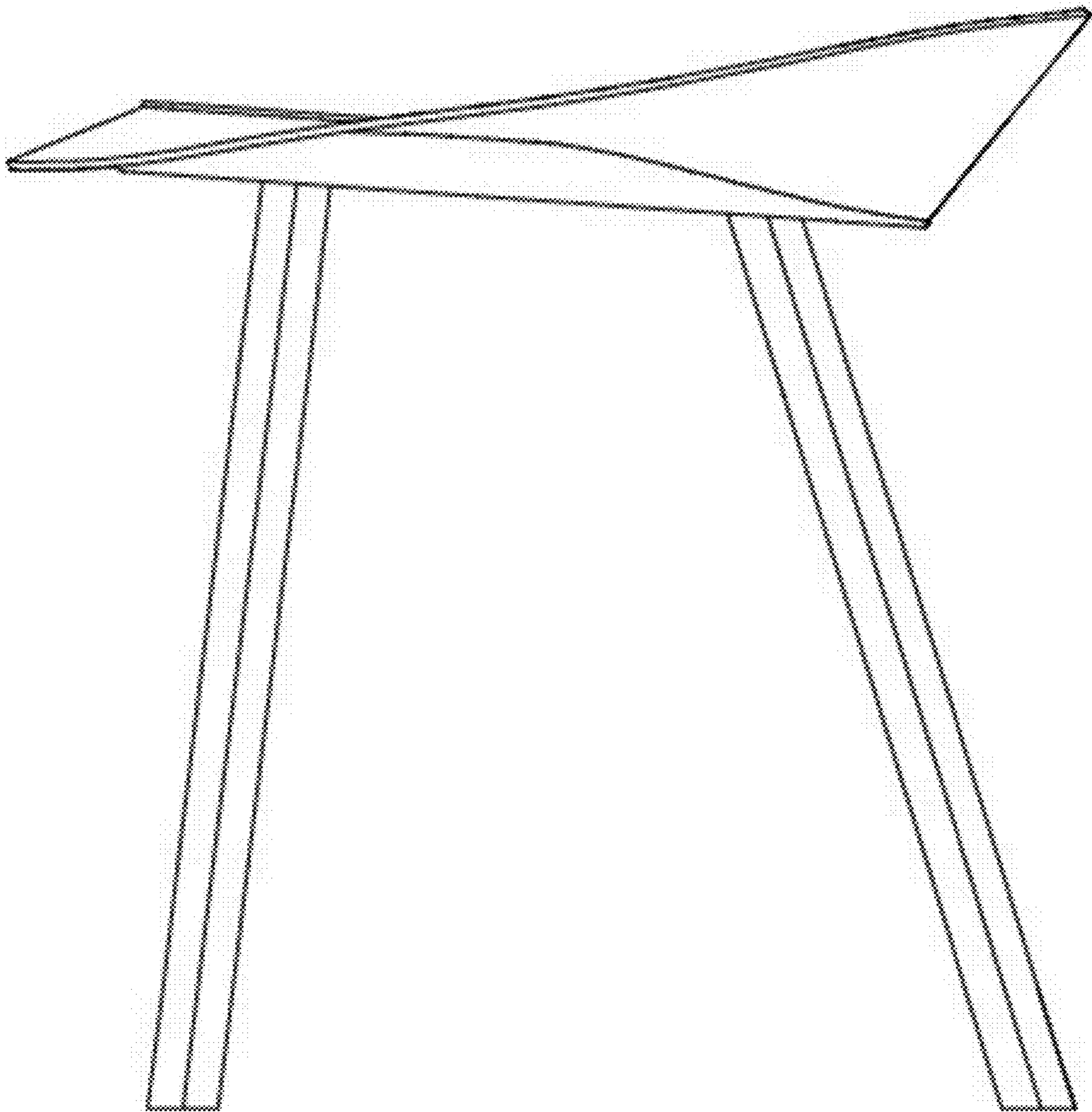
1.1



1.2



1.3



1.4

