



US00D912998S

(12) **United States Design Patent**
Dixon

(10) **Patent No.:** **US D912,998 S**
(45) **Date of Patent:** **** Mar. 16, 2021**

- (54) **GROOMING CHAIR**
- (71) Applicant: **Daniel Lee Dixon**, Morganl, CA (US)
- (72) Inventor: **Daniel Lee Dixon**, Morganl, CA (US)
- (73) Assignee: **Daniel Lee Dixon**, Morgan Hill, CA (US)
- (**) Term: **15 Years**
- (21) Appl. No.: **29/697,622**
- (22) Filed: **Jul. 10, 2019**
- (51) **LOC (13) Cl.** **06-01**
- (52) **U.S. Cl.**
USPC **D6/335; D6/367**
- (58) **Field of Classification Search**
USPC D6/334-336, 367, 368, 371, 372, 373, D6/374, 379, 380, 716, 716.1, 716.2, D6/716.3, 716.4, 716.5; D21/690, 691
CPC A47C 1/02; A47C 1/04; A47C 1/06; A47C 1/10; A47C 1/022; A47C 1/023; A47C 1/024; A47C 1/03; A47C 7/54; A47C 7/541; A47C 7/543; A47C 5/04; A47C 5/10; A47C 16/04; A47C 7/36; A47C 7/38; A47C 7/50; A47C 9/005; A61G 13/009; A61G 15/007
See application file for complete search history.

- 5,401,078 A * 3/1995 Riach A61G 15/007 297/19
- D369,691 S * 5/1996 Haynes D6/335
- D389,205 S * 1/1998 van Straaten D21/690
- 5,971,485 A * 10/1999 Clark A61G 13/009 297/195.11
- 6,065,808 A * 5/2000 Tinsley A47C 9/005 297/195.11
- D438,578 S * 3/2001 Kuo D21/690
- 6,543,853 B1 * 4/2003 Splane, Jr. A47C 9/005 297/195.11
- 6,698,831 B2 * 3/2004 Lloyd A47C 9/005 297/195.11
- D602,275 S * 10/2009 Petruccelli D6/367
- D604,373 S * 11/2009 Dalebout D21/690
- D647,151 S * 10/2011 Van Straaten D21/690
- 8,496,292 B2 * 7/2013 Strassberg A47C 7/50 297/195.11
- 9,498,398 B1 * 11/2016 Ehrenleitner A61G 15/007

* cited by examiner

Primary Examiner — Mimosa De

(57) **CLAIM**

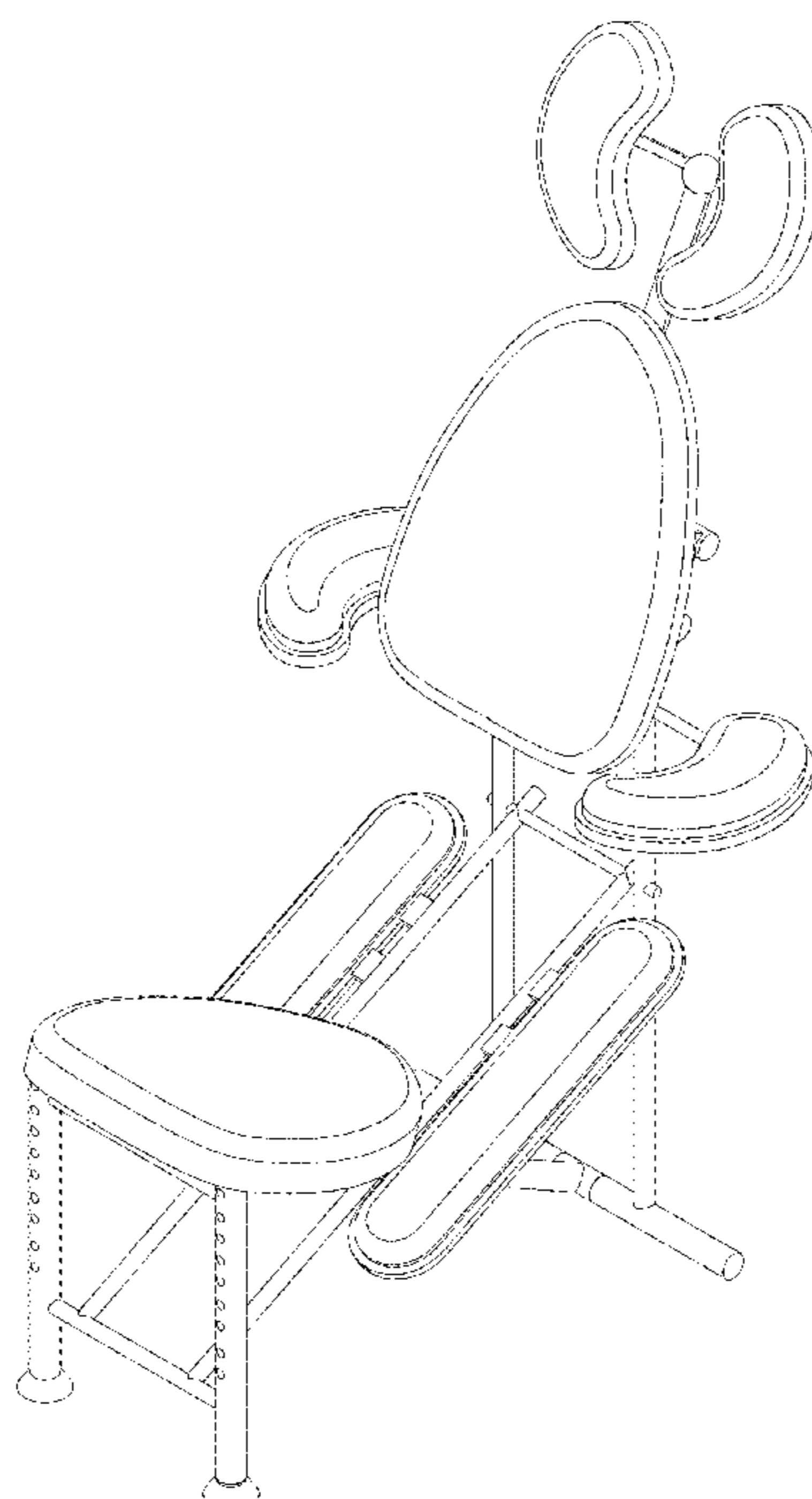
The ornamental design for a grooming chair, as shown and described.

DESCRIPTION

FIG. 1 is a perspective view of a grooming chair showing the new design; and
FIG. 2 is a front view;
FIG. 3 is a rear view;
FIG. 4 is a bottom view;
FIG. 5 is a top;
FIG. 6 is a left side view; and,
FIG. 7 is a right side view.

1 Claim, 7 Drawing Sheets

- (56) **References Cited**
U.S. PATENT DOCUMENTS
660,694 A * 10/1900 Waterbury A47C 7/38 297/404
866,753 A * 9/1907 Weber A47C 7/38 297/405



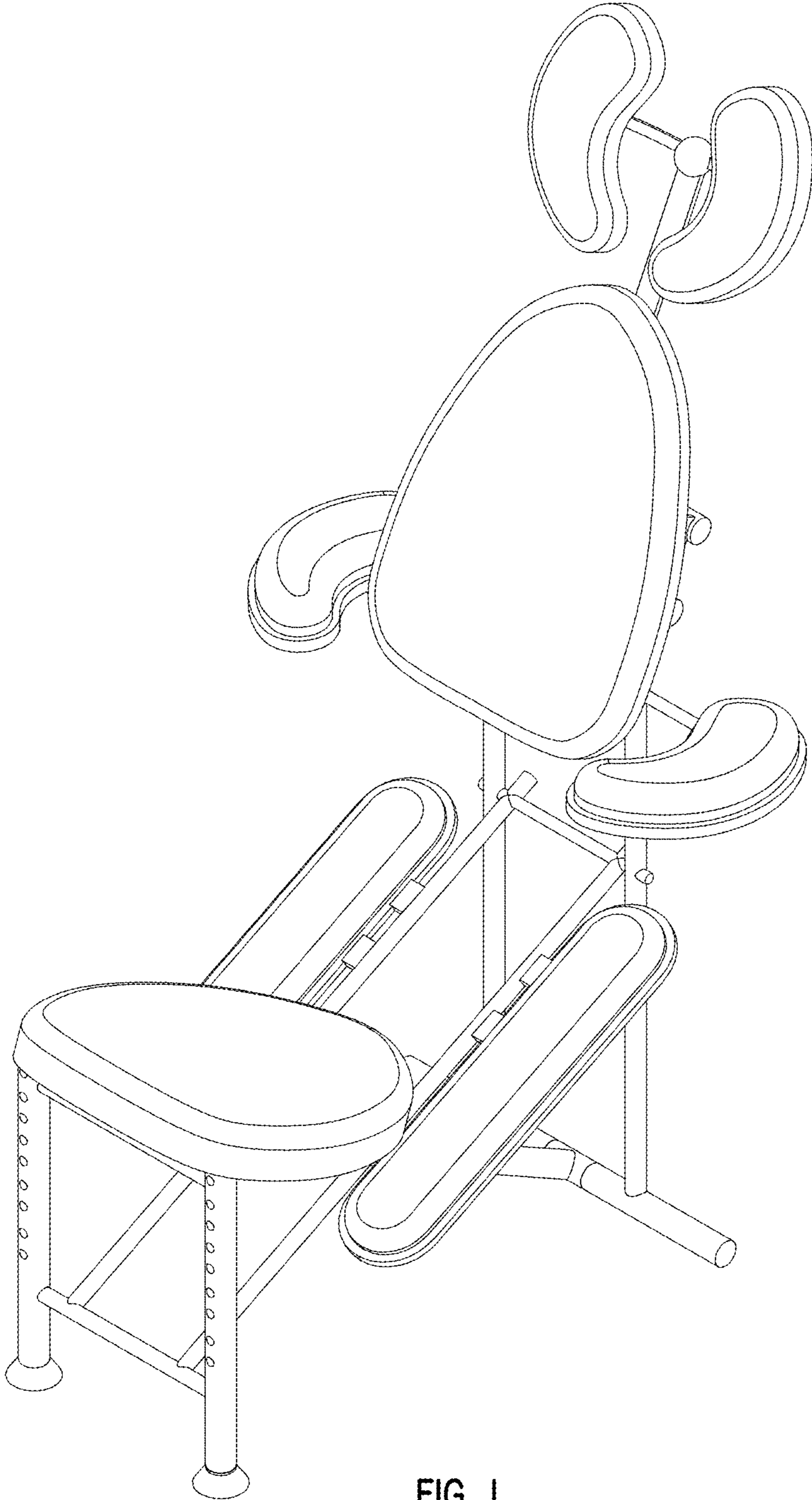


FIG. 1

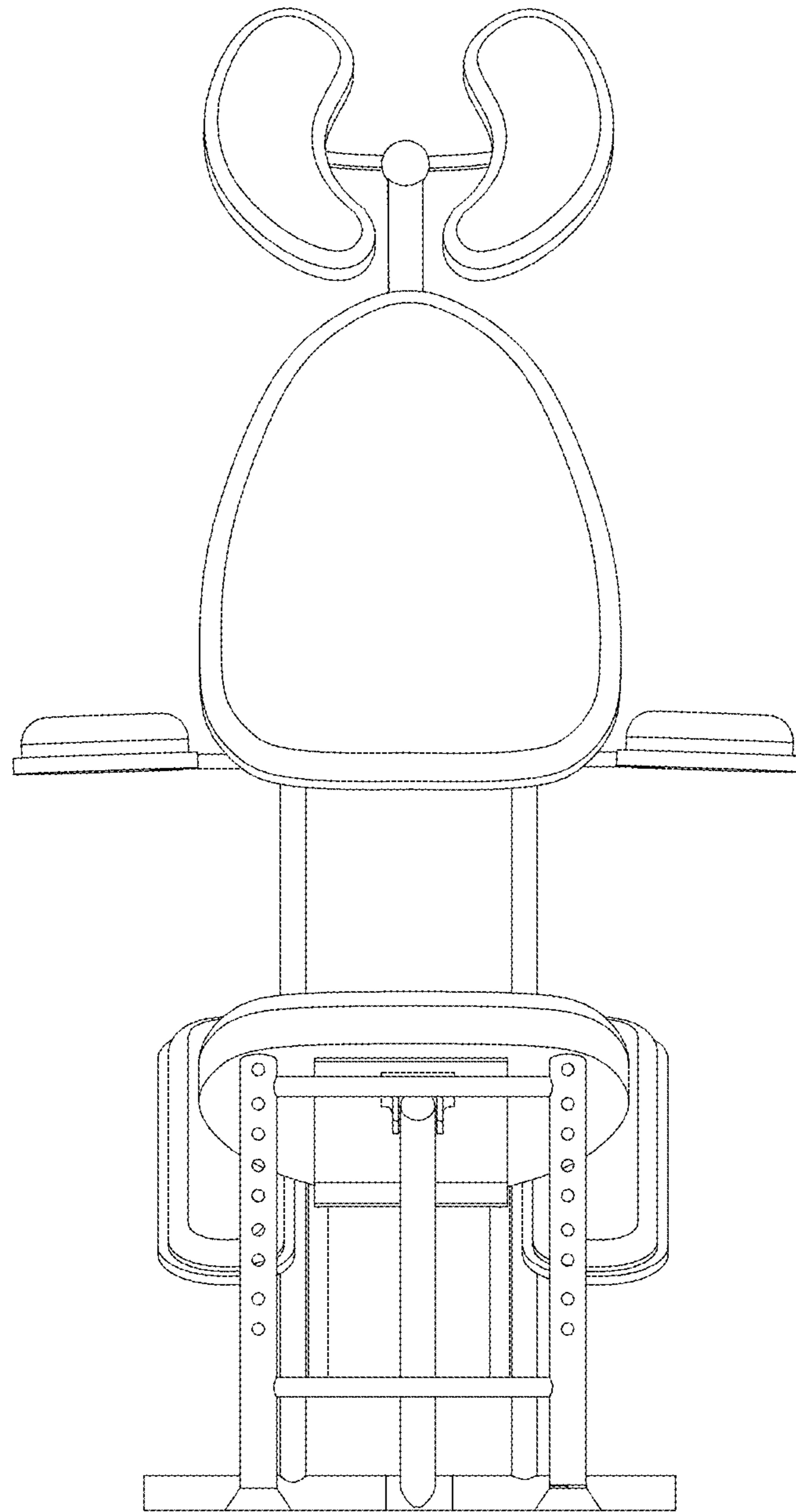


FIG. 2

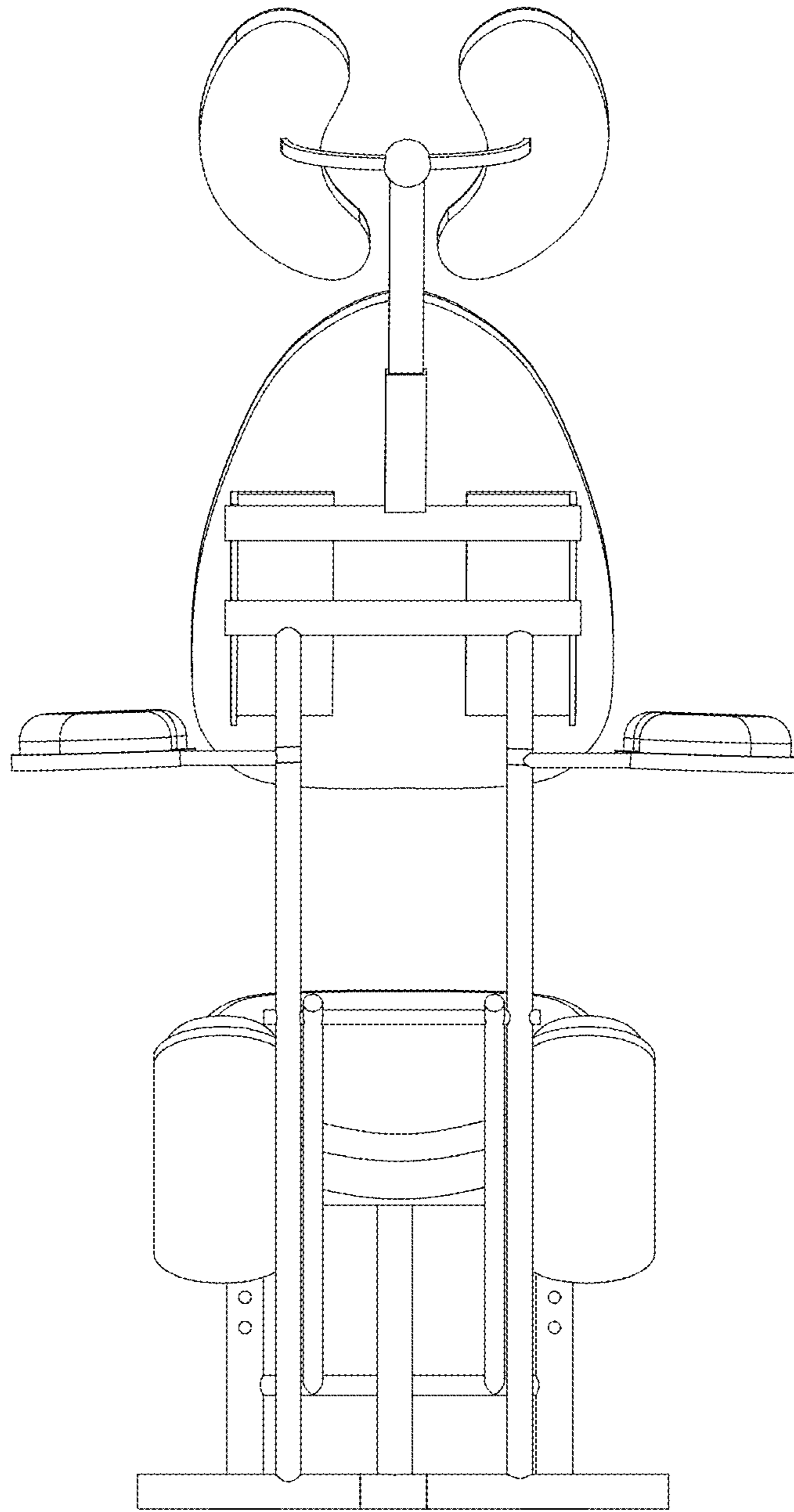


FIG. 3

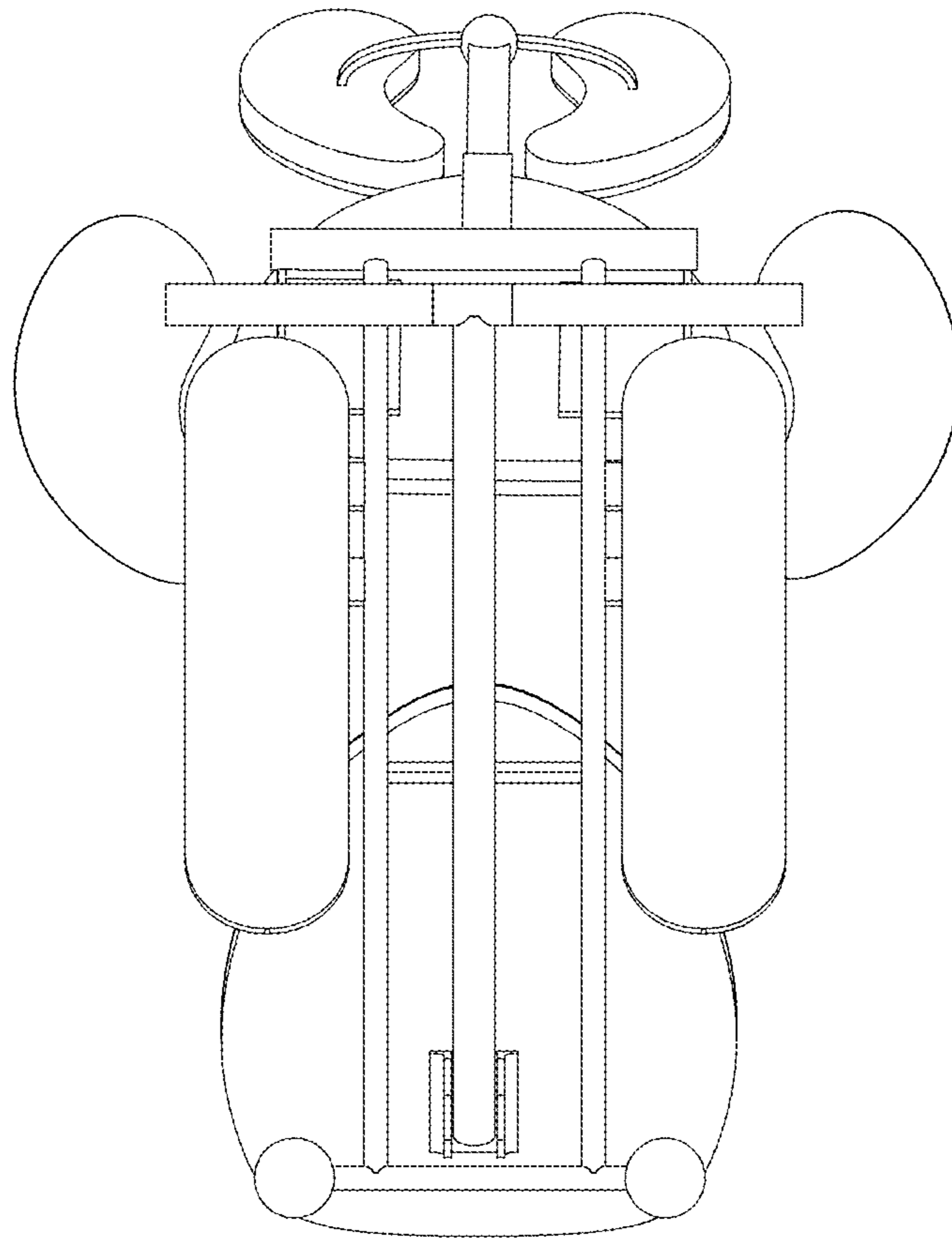


FIG. 4

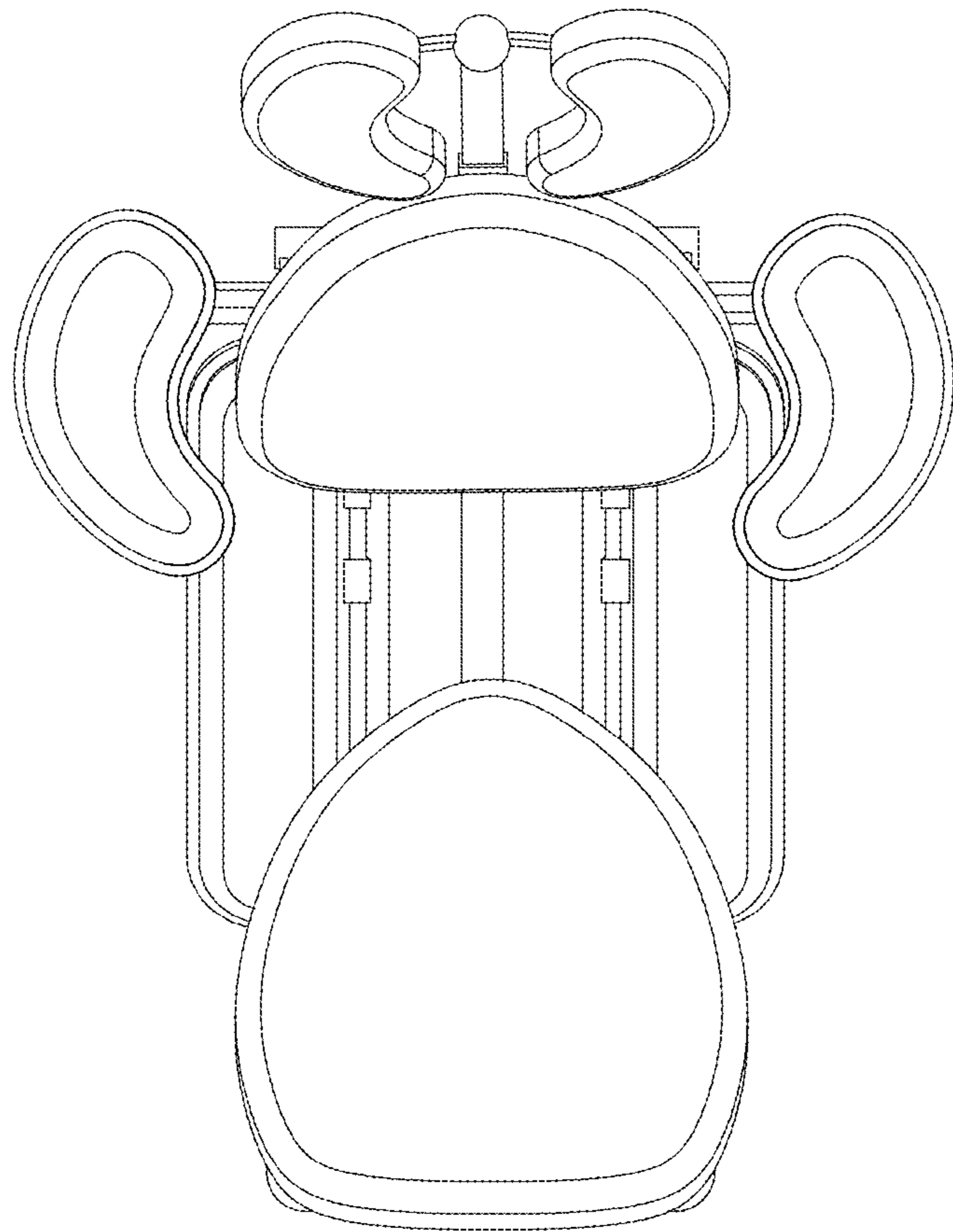
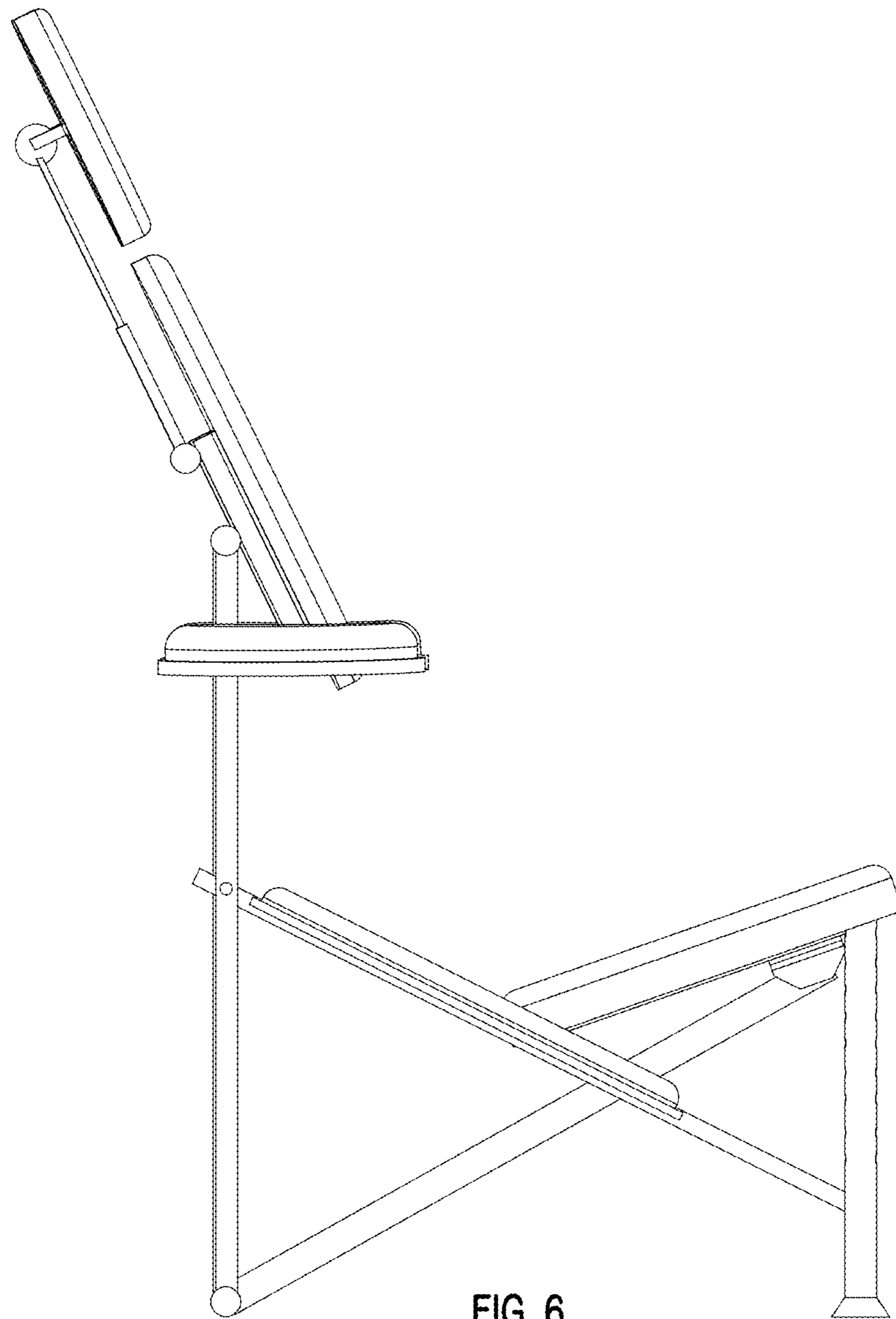


FIG. 5



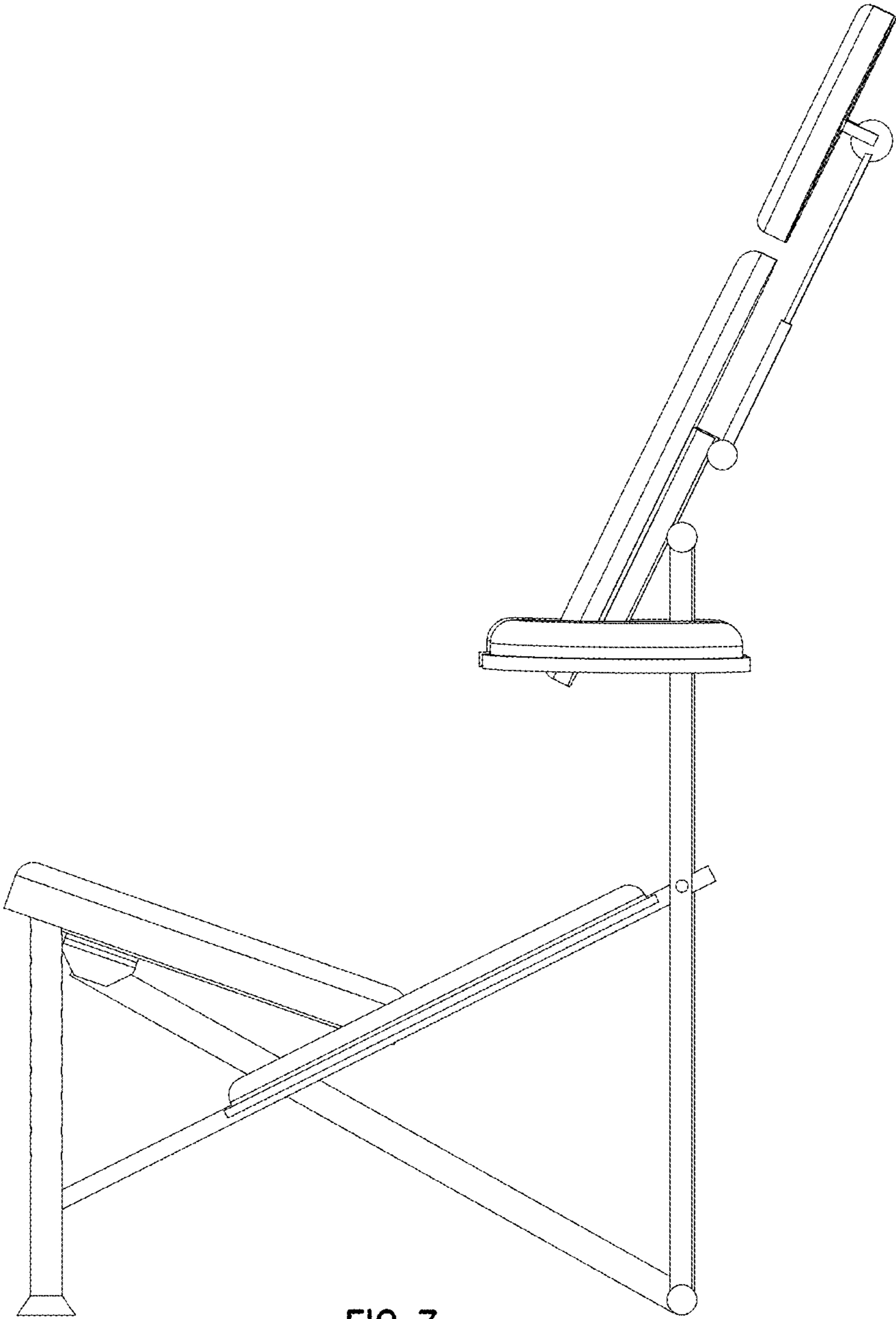


FIG. 7