



US00D912997S

(12) **United States Design Patent** (10) **Patent No.:** **US D912,997 S**
Haque et al. (45) **Date of Patent:** **** Mar. 16, 2021**

(54) **SELF-SUPPORTING DIVIDER ASSEMBLY SECTION**

(71) Applicant: **USA SEALING, INC.**, Cheektowaga, NY (US)

(72) Inventors: **Syed Zabbirul Haque**, Cheektowaga, NY (US); **Ezra Sarachan**, Cheektowaga, NY (US)

(73) Assignee: **USA Sealing, Inc.**, Cheektowaga, NY (US)

(**) Term: **15 Years**

(21) Appl. No.: **29/747,092**

(22) Filed: **Aug. 19, 2020**

(51) **LOC (13) Cl.** **06-06**

(52) **U.S. Cl.**
USPC **D6/332**

(58) **Field of Classification Search**
USPC D6/332
CPC . E04B 2/74; E04B 2/72; E04B 2/7401; E04B 2/721; E04B 2/7405; E04B 2002/7466; E04B 2002/747; E04B 2002/725
See application file for complete search history.

(56) **References Cited**

U.S. PATENT DOCUMENTS

D278,395 S	4/1985	Keller	
D299,795 S	2/1989	Helstab	
D309,540 S	7/1990	Suttles et al.	
D337,462 S	7/1993	LaVaute et al.	
D472,083 S	3/2003	English et al.	
D564,764 S	3/2008	Springer et al.	
D613,970 S	4/2010	Switzer	
7,921,615 B2 *	4/2011	Picchio	A47F 5/0846 52/238.1
D651,416 S *	1/2012	Martin	D6/332

D681,965 S *	5/2013	Pili	D6/332
9,414,697 B2 *	8/2016	Parshad	A47G 5/00
D777,459 S *	1/2017	Parshad	D6/332
D798,612 S *	10/2017	Kitajima	D6/332
D798,613 S *	10/2017	Rost, Jr.	D6/332

(Continued)

OTHER PUBLICATIONS

ADM, Sneezeguards, accessed on-line at: <https://www.sneezeguard.com/gallery.php?Model=Ring-EP5&mid=122>, available at least as early as Aug. 19, 2020.

Primary Examiner — Doris Clark

(74) *Attorney, Agent, or Firm* — Barnes & Thornburg LLP

(57) **CLAIM**

We claim the ornamental design for a self-supporting divider assembly section, as shown and described.

DESCRIPTION

FIG. 1 is a perspective view of a first embodiment of a self-supporting divider assembly section according to a new design.

FIG. 2 is a rear view of the divider shown in FIG. 1.

FIG. 3 is a front view of the divider shown in FIG. 1.

FIG. 4 is a right side view of the divider shown in FIG. 1.

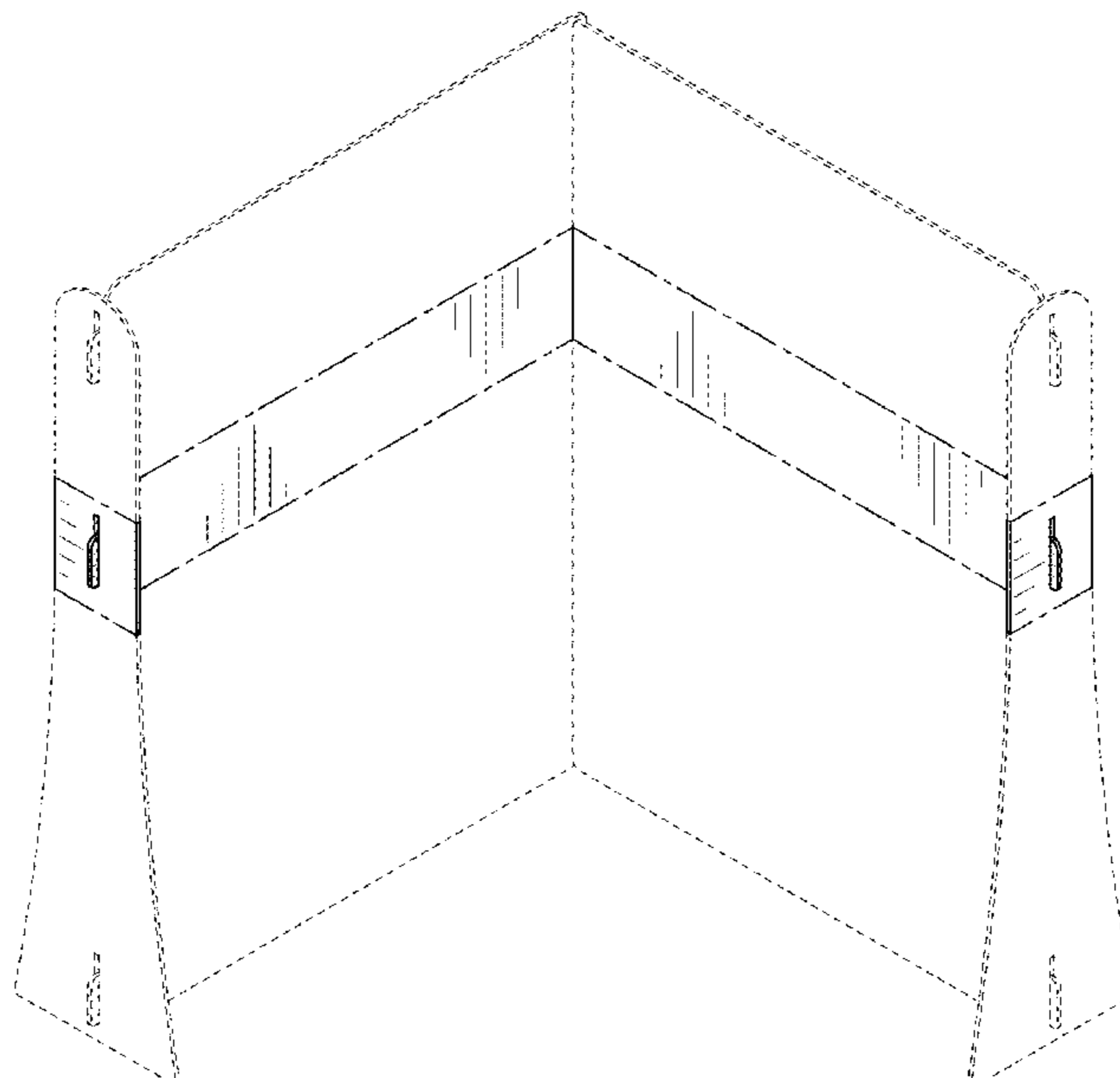
FIG. 5 is a left side view of the divider shown in FIG. 1.

FIG. 6 is a top view of the divider shown in FIG. 1; and,

FIG. 7 is a bottom view of the divider shown in FIG. 1.

Those portions of the present invention which are presented in “dotted” broken lines represent the environment of the design only and form no part of the claimed design. The “dot-dash” broken lines depict an unclaimed boundary of the claimed design and form no part thereof. Moreover, any surface shading presented in the accompanying drawings is provided merely to highlight the contour of the invention and is not intended to be illustrative of texture or gloss of the claimed design.

1 Claim, 4 Drawing Sheets



(56)

References Cited

U.S. PATENT DOCUMENTS

D807,652	S	1/2018	Kawamoto	
10,094,105	B2 *	10/2018	Harnish	E04F 13/083
10,323,412	B2 *	6/2019	Koziol	E04F 13/081
D864,599	S	10/2019	Yamamoto	
10,487,499	B1 *	11/2019	Berkowitz	E04B 1/34321
D871,782	S	1/2020	Simone	
10,597,870	B2 *	3/2020	Hedgcock	E04B 2/723
D884,214	S	5/2020	Martin et al.	
2011/0193453	A1	8/2011	Matus, Jr.	

* cited by examiner

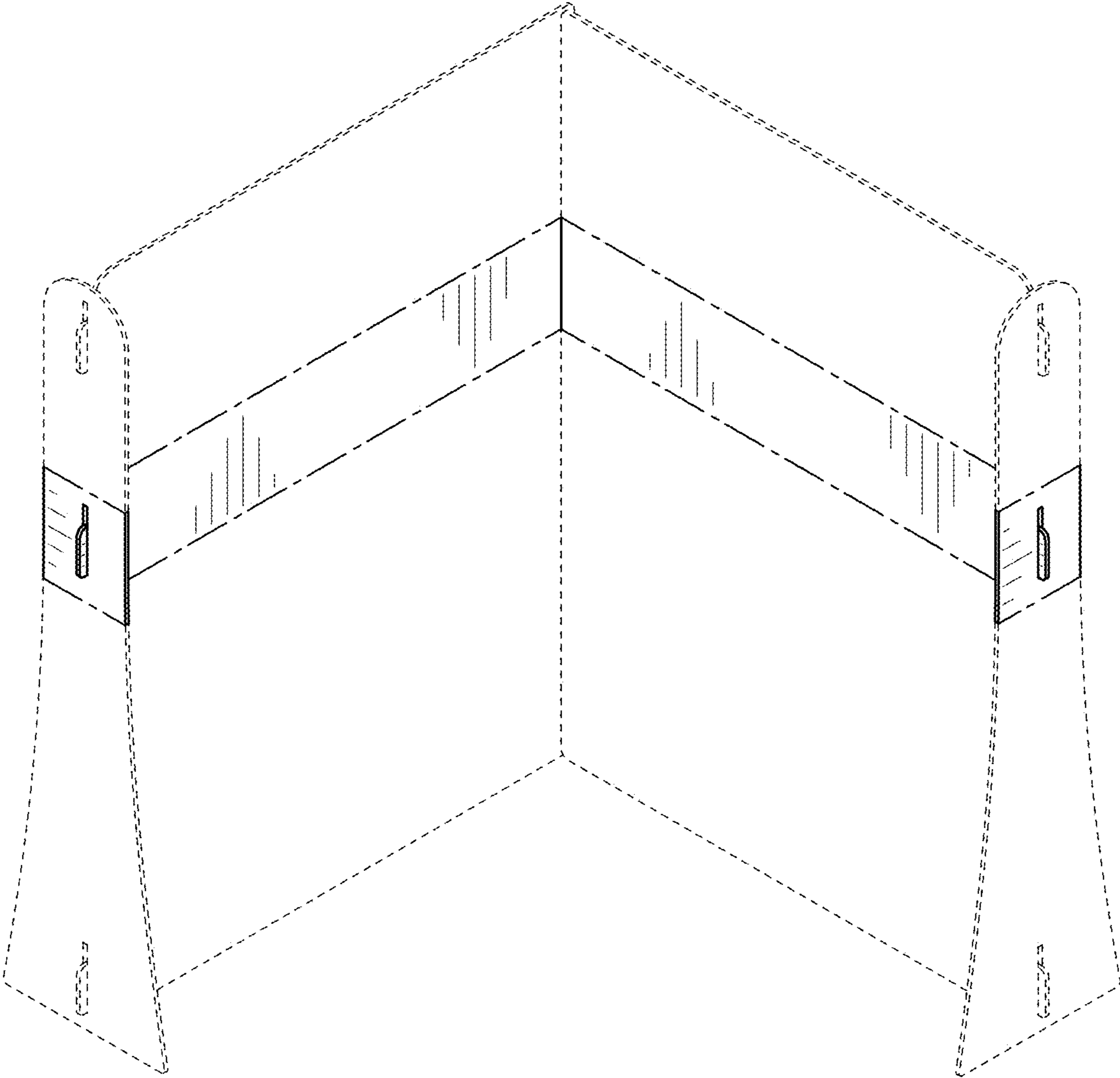


FIG. 1

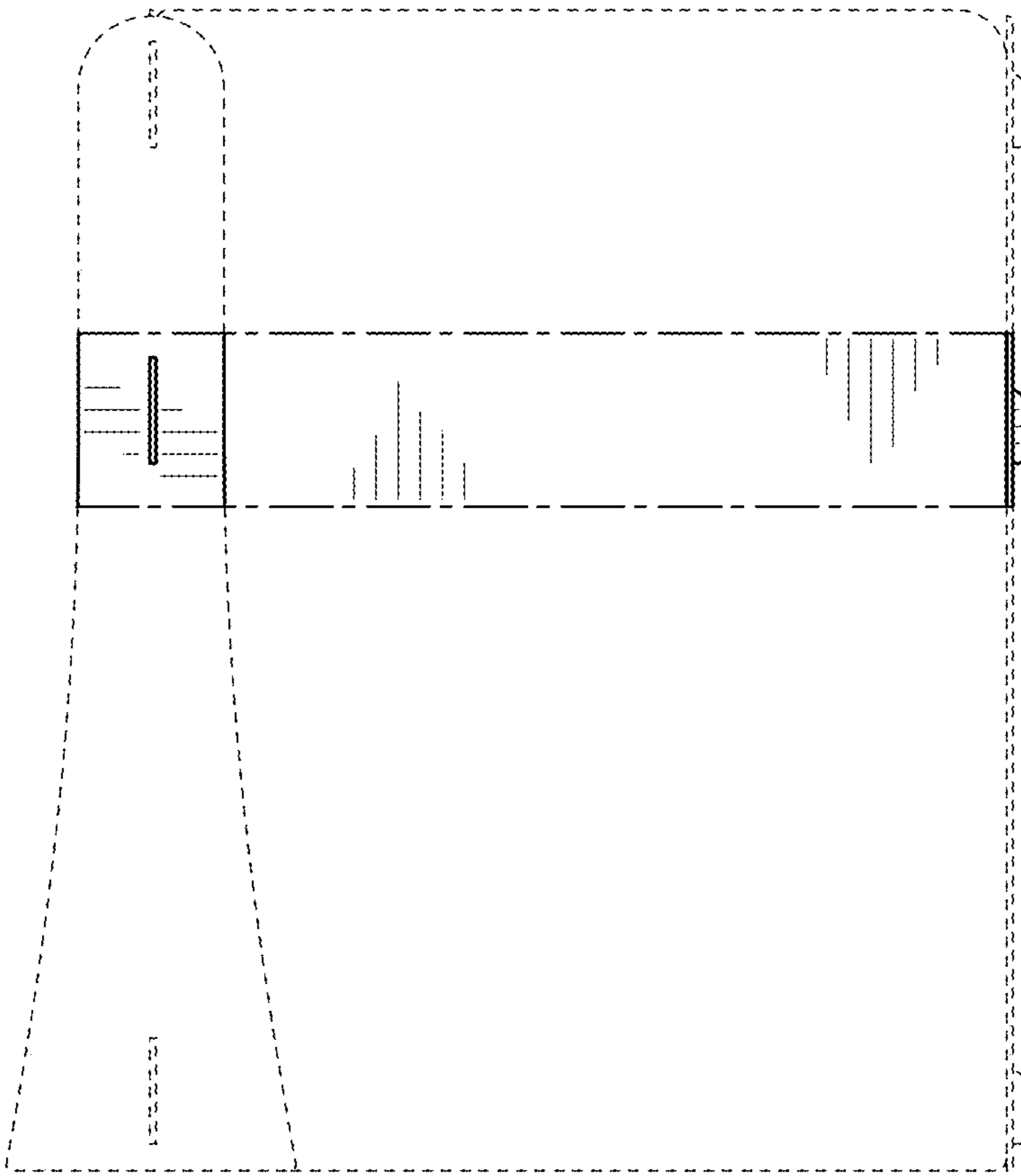


FIG. 2

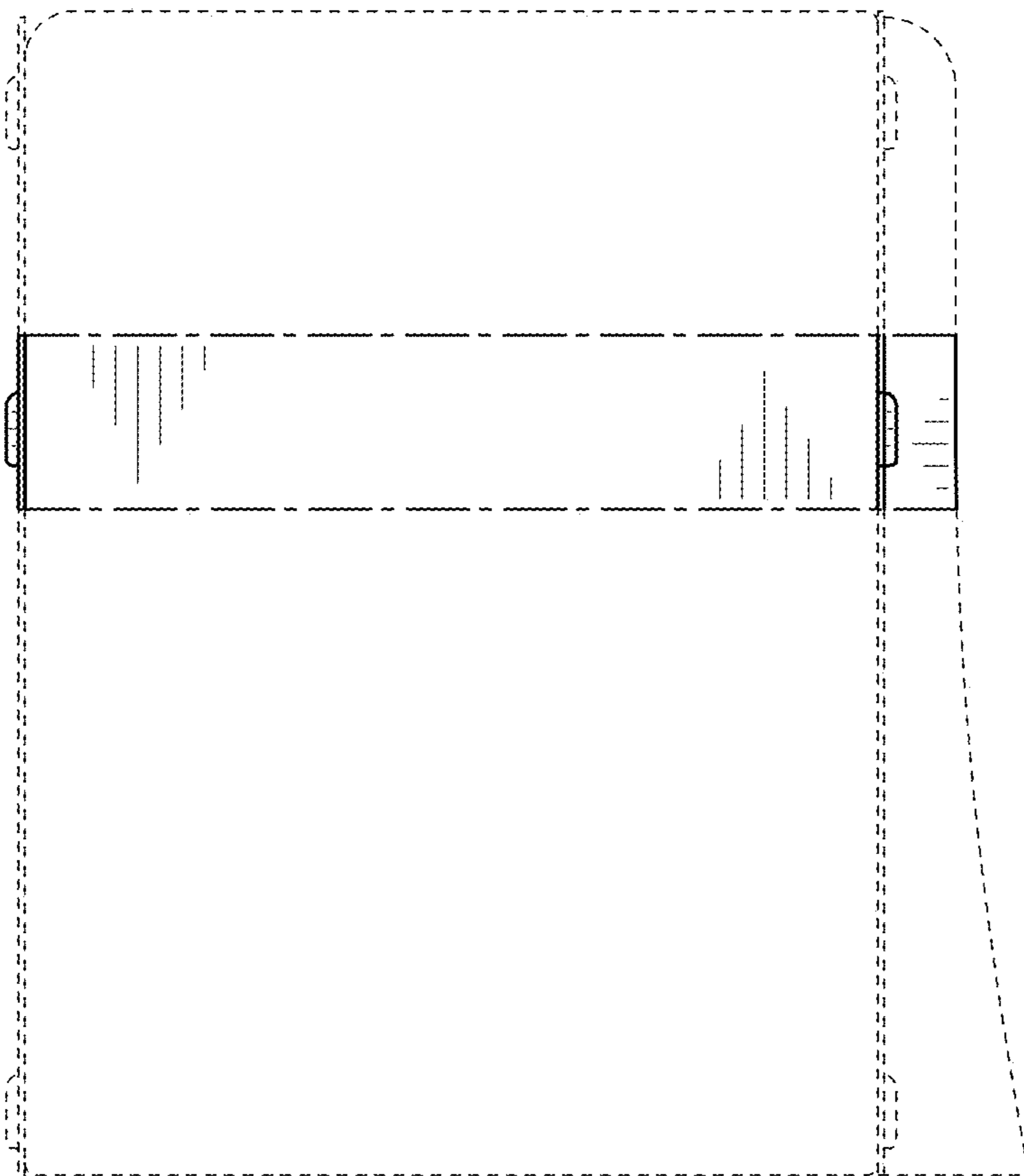


FIG. 3

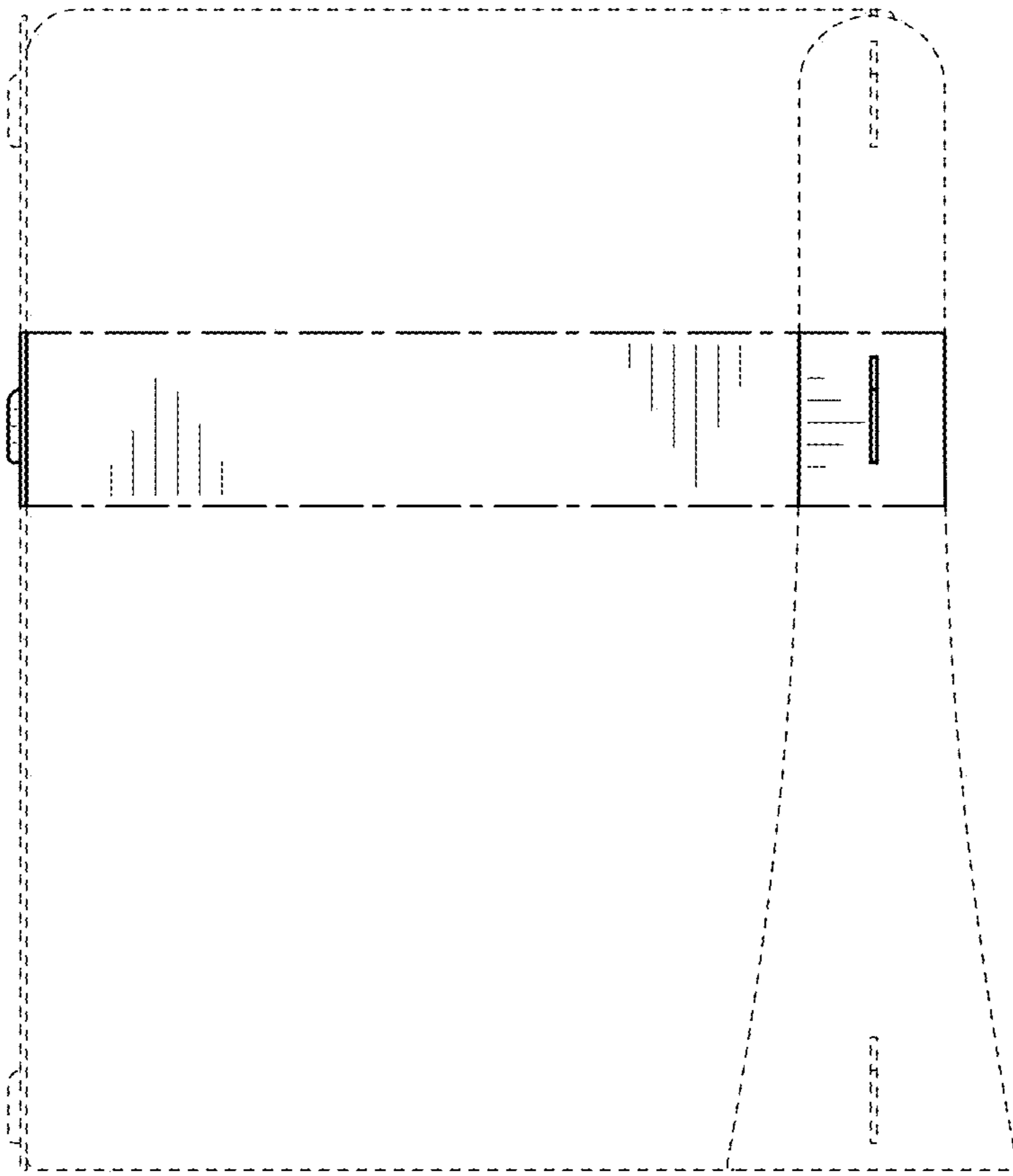


FIG. 4

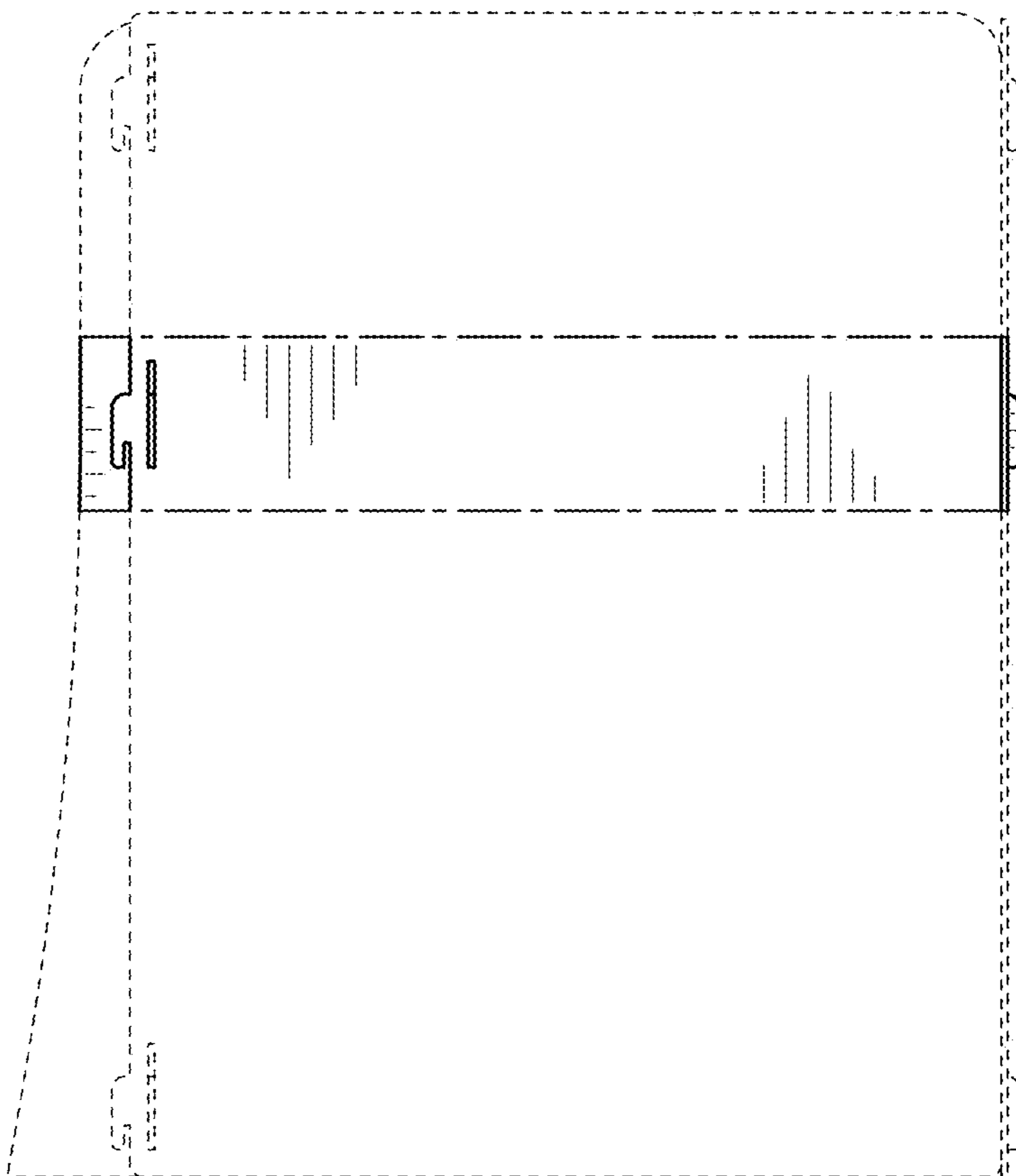


FIG. 5

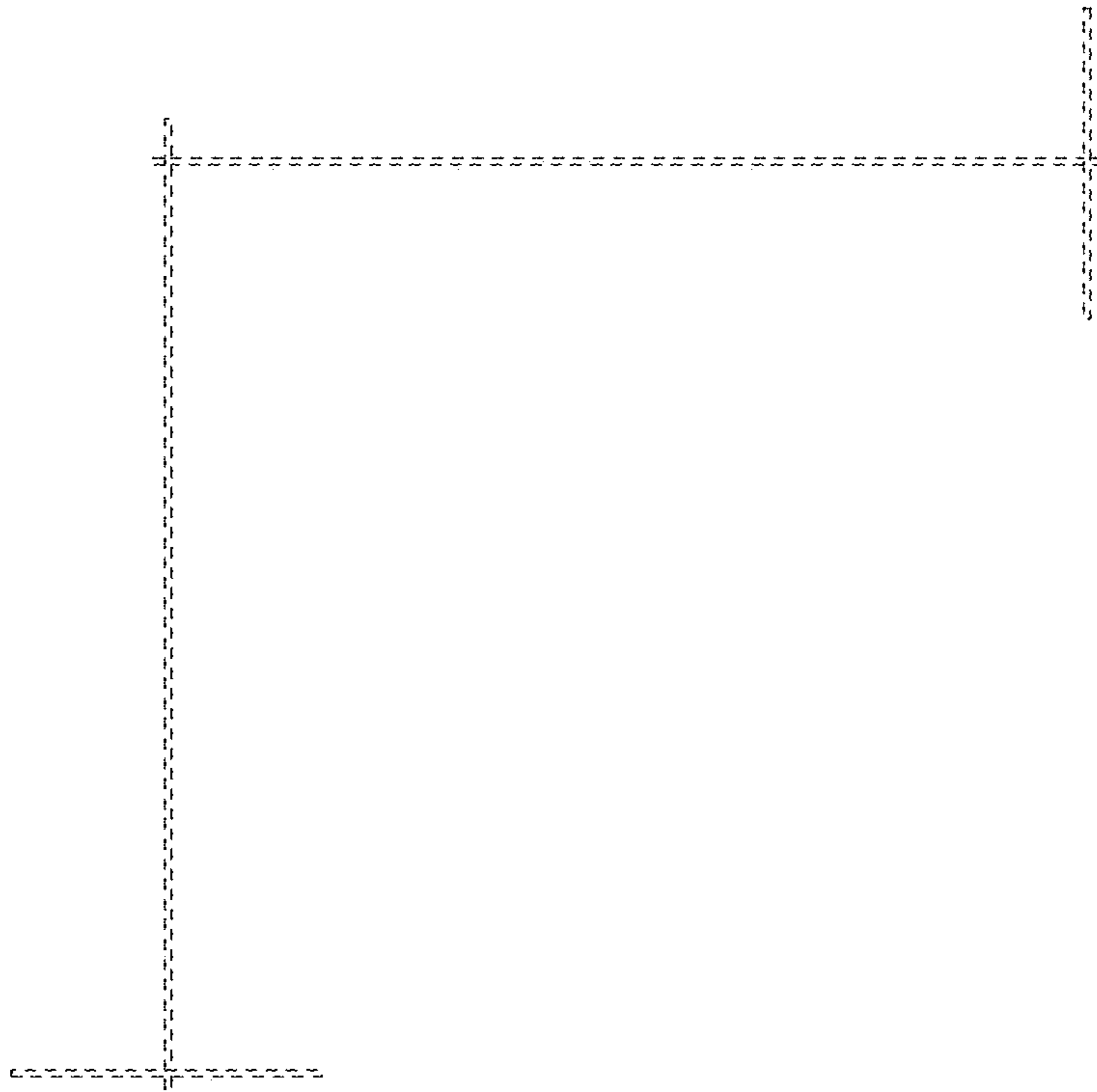


FIG. 6

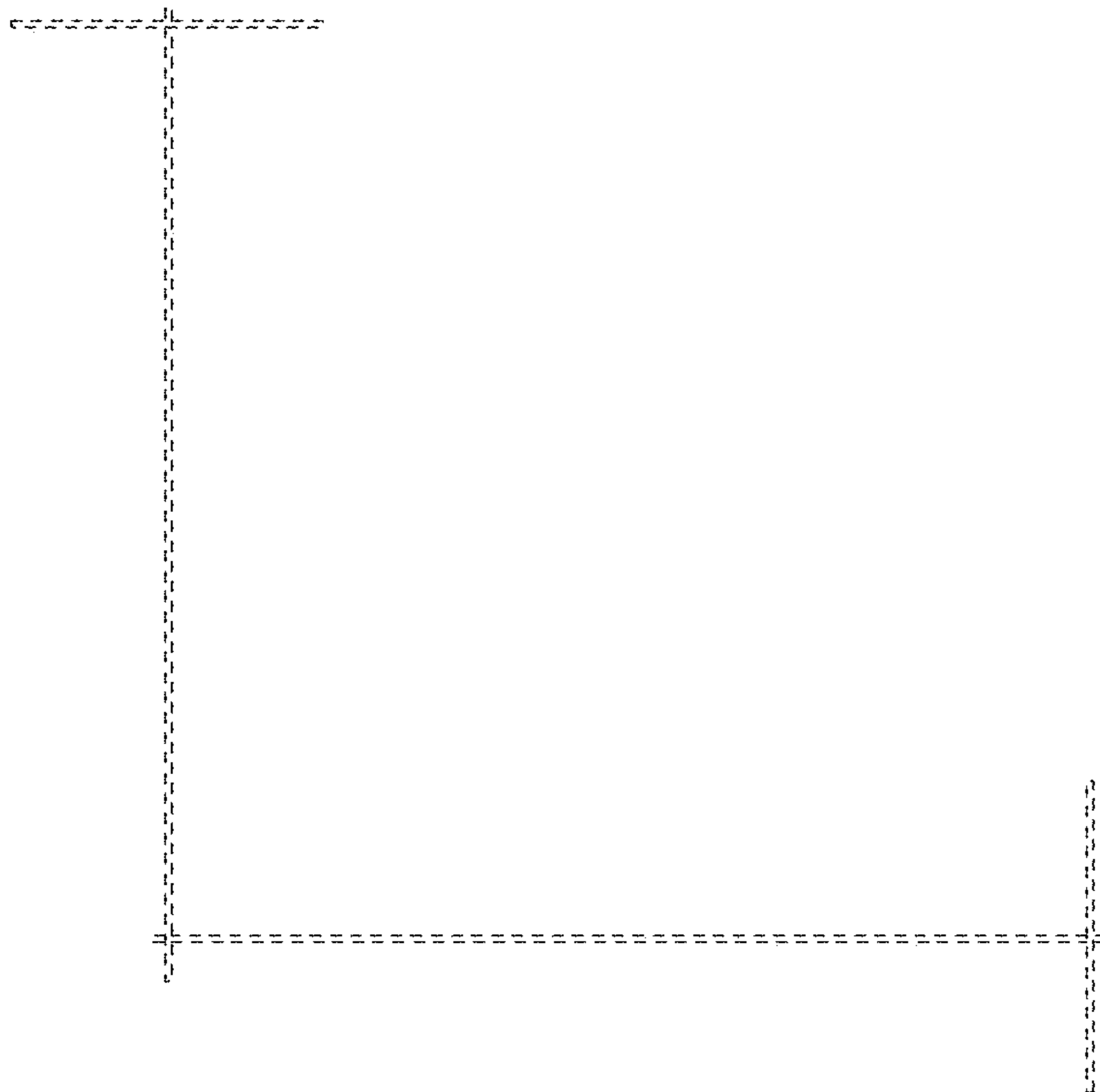


FIG. 7