



US00D912995S

(12) **United States Design Patent**  
**Wen et al.**

(10) **Patent No.:** **US D912,995 S**  
(45) **Date of Patent:** **\*\* Mar. 16, 2021**

(54) **PAINT PAD**  
(71) Applicant: **NINGBO YINZHOU JUNHANG TRDG CO., LTD**, Ningbo (CN)  
(72) Inventors: **Jiajia Wen**, Ningbo (CN); **Jiyao Zhang**, Ningbo (CN)  
(\*\*) Term: **15 Years**  
(21) Appl. No.: **29/699,508**  
(22) Filed: **Jul. 26, 2019**  
(51) **LOC (13) Cl.** ..... **04-04**  
(52) **U.S. Cl.**  
USPC ..... **D4/137**  
(58) **Field of Classification Search**  
USPC ..... D4/100, 102, 109, 114, 115, 116, 117, D4/118, 119, 120, 121, 122, 123, 124, D4/125, 126, 127, 128, 129, 130, 131, D4/132, 133, 134, 135, 136, 137, 138, D4/199; D32/40, 41, 42, 46, 49, 50, 51; 15/245  
CPC ... B05C 17/00; B25G 3/38; Y10T 403/32344; A46B 2200/20; A46B 2200/202; A46B 2200/302  
See application file for complete search history.

(56) **References Cited**  
U.S. PATENT DOCUMENTS  
3,605,165 A \* 9/1971 Burns ..... B05C 17/00 15/210.1  
4,424,603 A \* 1/1984 Balint ..... B05C 17/0242 15/210.1  
5,209,781 A \* 5/1993 Milkie ..... B05C 17/00 118/264  
6,305,043 B1 \* 10/2001 Rosnak ..... B05C 17/00 15/144.1  
D510,812 S \* 10/2005 Bortz ..... D4/137  
D515,821 S \* 2/2006 Gartner ..... D32/52

D524,551 S \* 7/2006 Gartner ..... D32/52  
D527,190 S \* 8/2006 Henke ..... D4/138  
7,416,477 B2 \* 8/2008 Henke ..... B25G 3/38 451/344  
8,032,973 B2 \* 10/2011 Lutgen ..... B05C 17/00 15/210.1  
D825,194 S \* 8/2018 Katsuma ..... D4/137  
10,040,093 B2 \* 8/2018 Fee ..... B05C 17/00  
D859,845 S \* 9/2019 Dombrowski ..... D4/122  
D869,808 S \* 12/2019 Khubani ..... D32/45  
D872,486 S \* 1/2020 Katsuma ..... D4/137  
2017/0165701 A1 \* 6/2017 Constantine ..... B05C 1/00

**FOREIGN PATENT DOCUMENTS**

CN 3301077 \* 6/2003  
CN 302951504 \* 10/2014  
CN 305738944 \* 4/2020

\* cited by examiner

*Primary Examiner* — Karen E Eldridge Powers  
(74) *Attorney, Agent, or Firm* — Erson IP (Nelson IP)

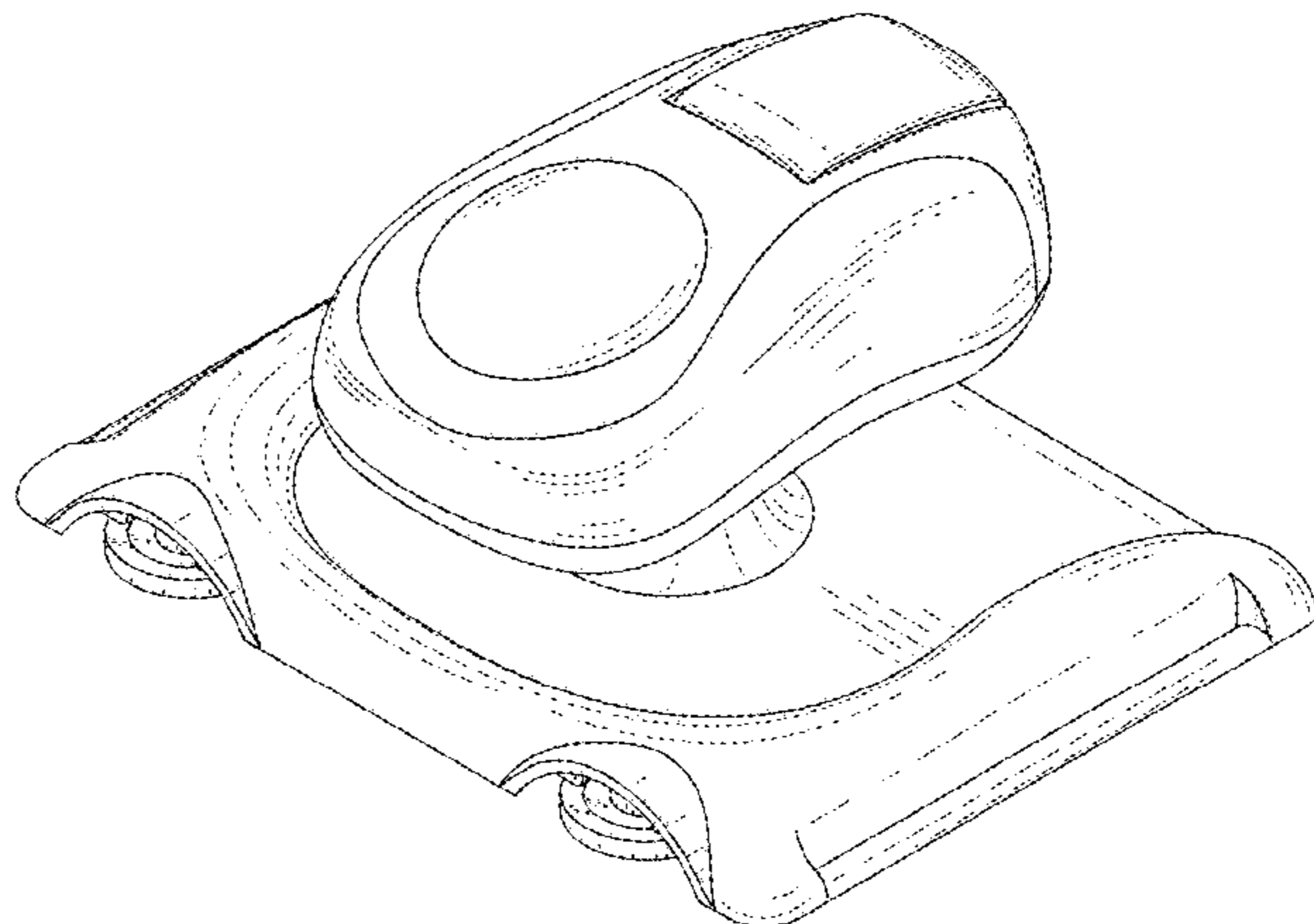
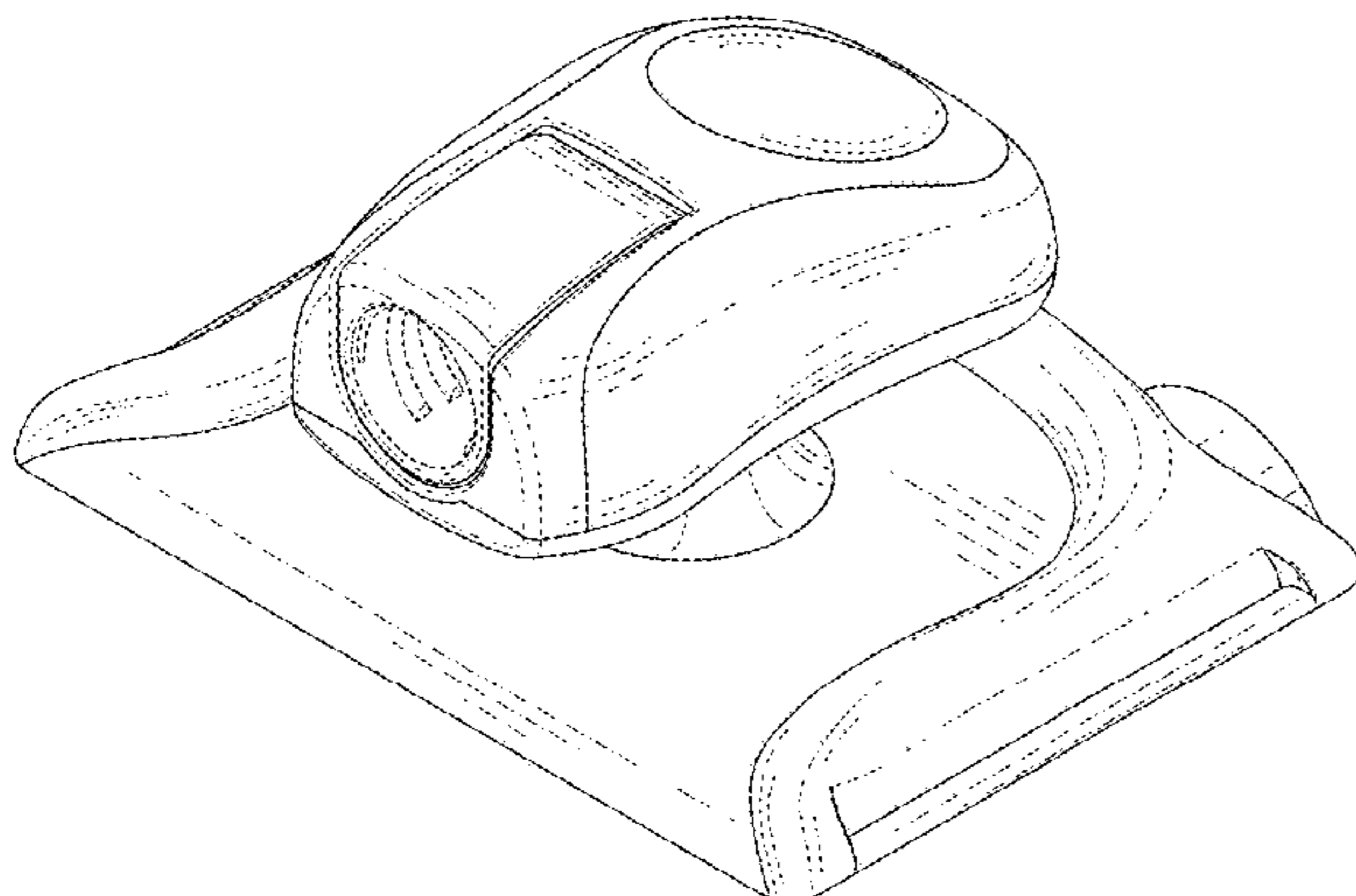
(57) **CLAIM**

The ornamental design for a paint pad, as shown and described.

**DESCRIPTION**

FIG. 1 is a top, front and right side perspective view of a paint pad showing our new design;  
FIG. 2 is bottom, rear and left side perspective view thereof;  
FIG. 3 is a front elevation view thereof;  
FIG. 4 is a rear elevation view thereof;  
FIG. 5 is a left side elevation view thereof;  
FIG. 6 is a right side elevation view thereof;  
FIG. 7 is a top plan view thereof; and,  
FIG. 8 is a bottom plan, view thereof.  
The broken lines are for the purposes of illustrating portions of the paint pad and form no part of the claimed design.

**1 Claim, 8 Drawing Sheets**



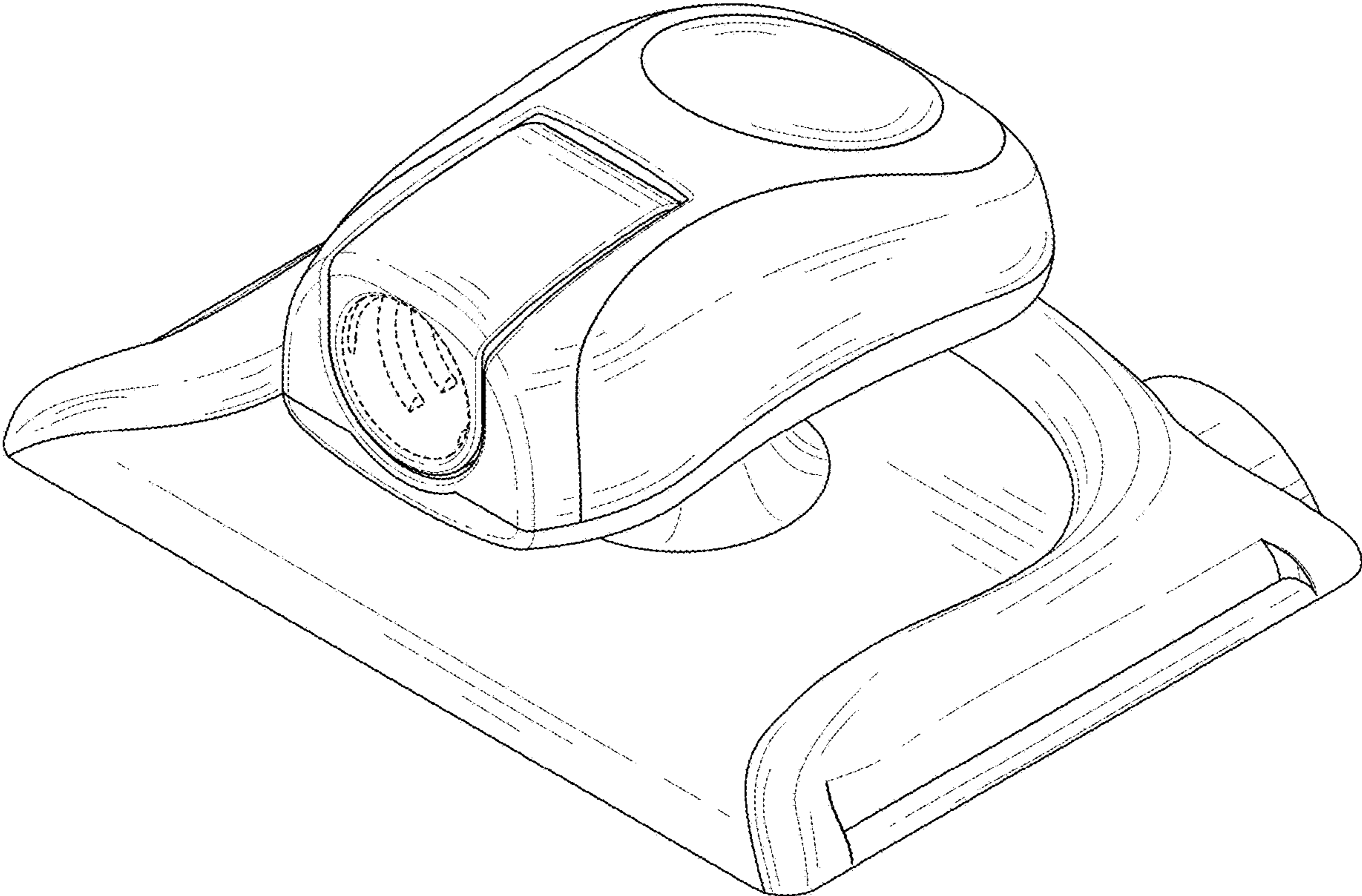


FIG. 1

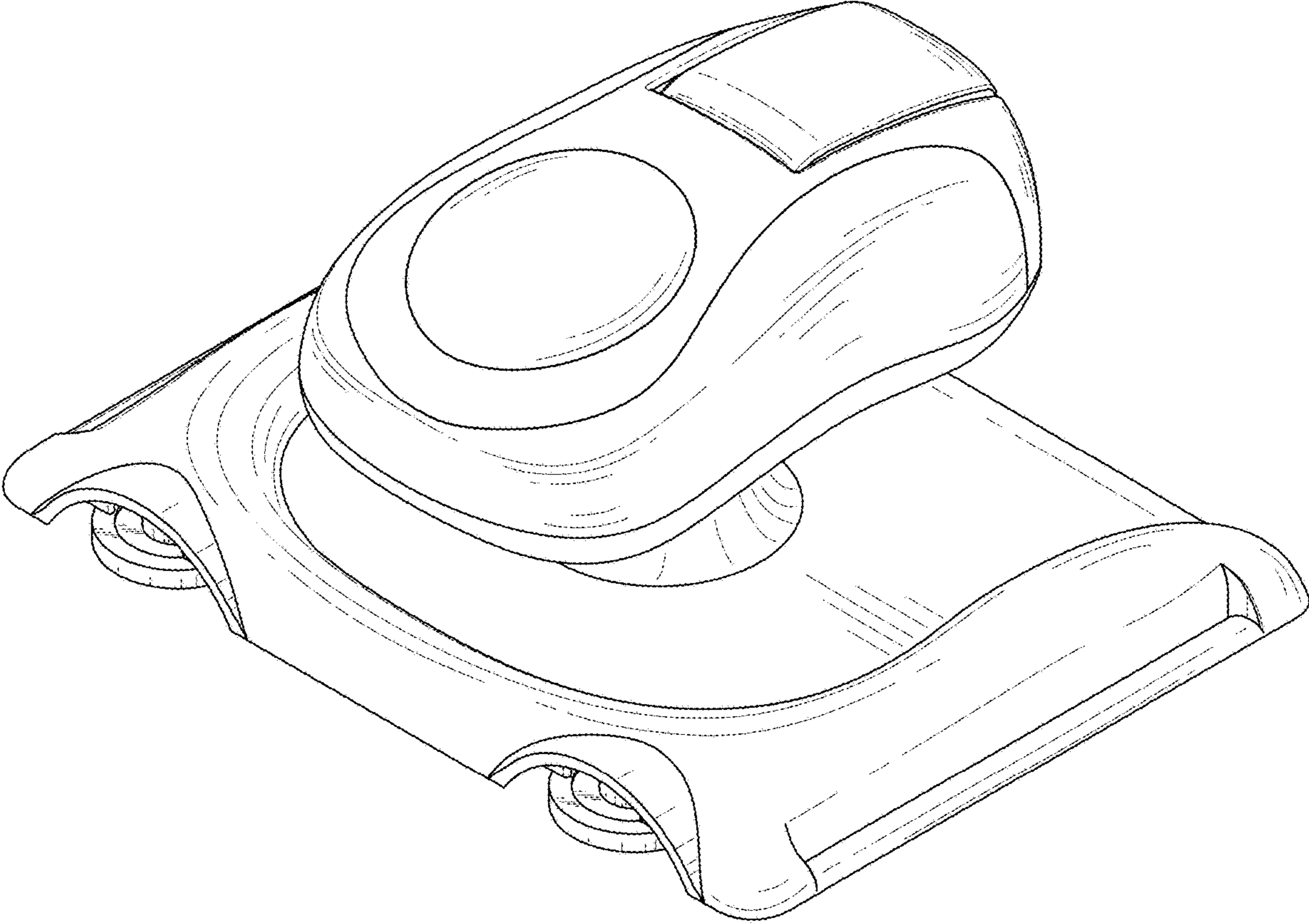


FIG. 2

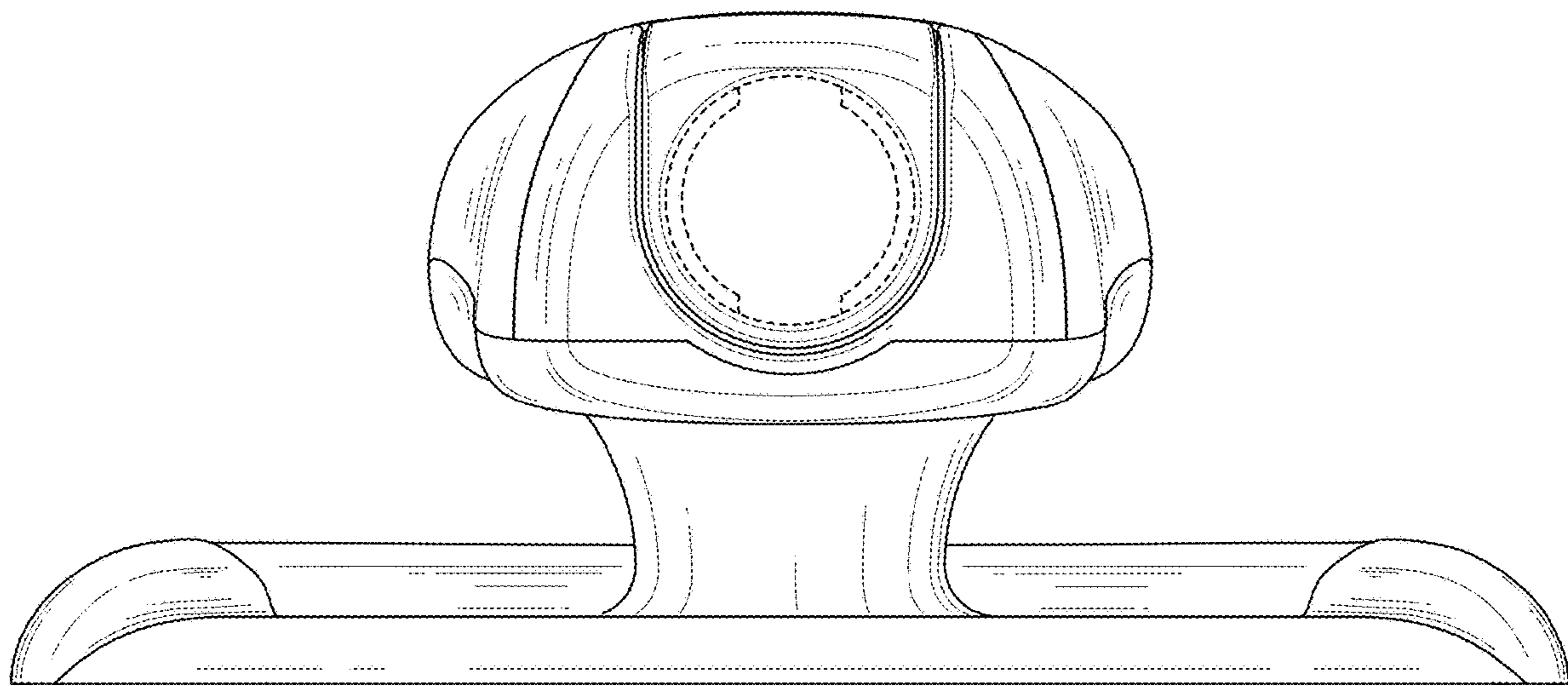


FIG. 3

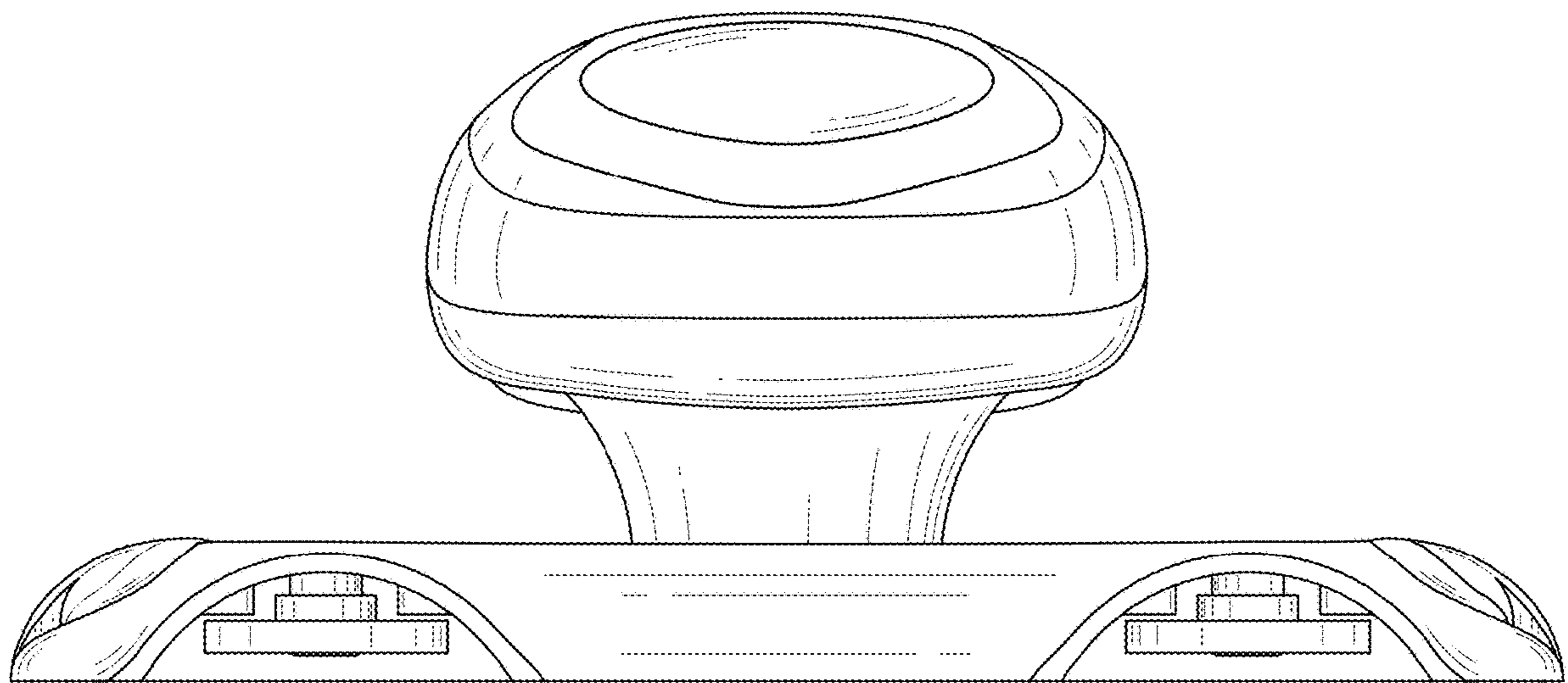


FIG. 4

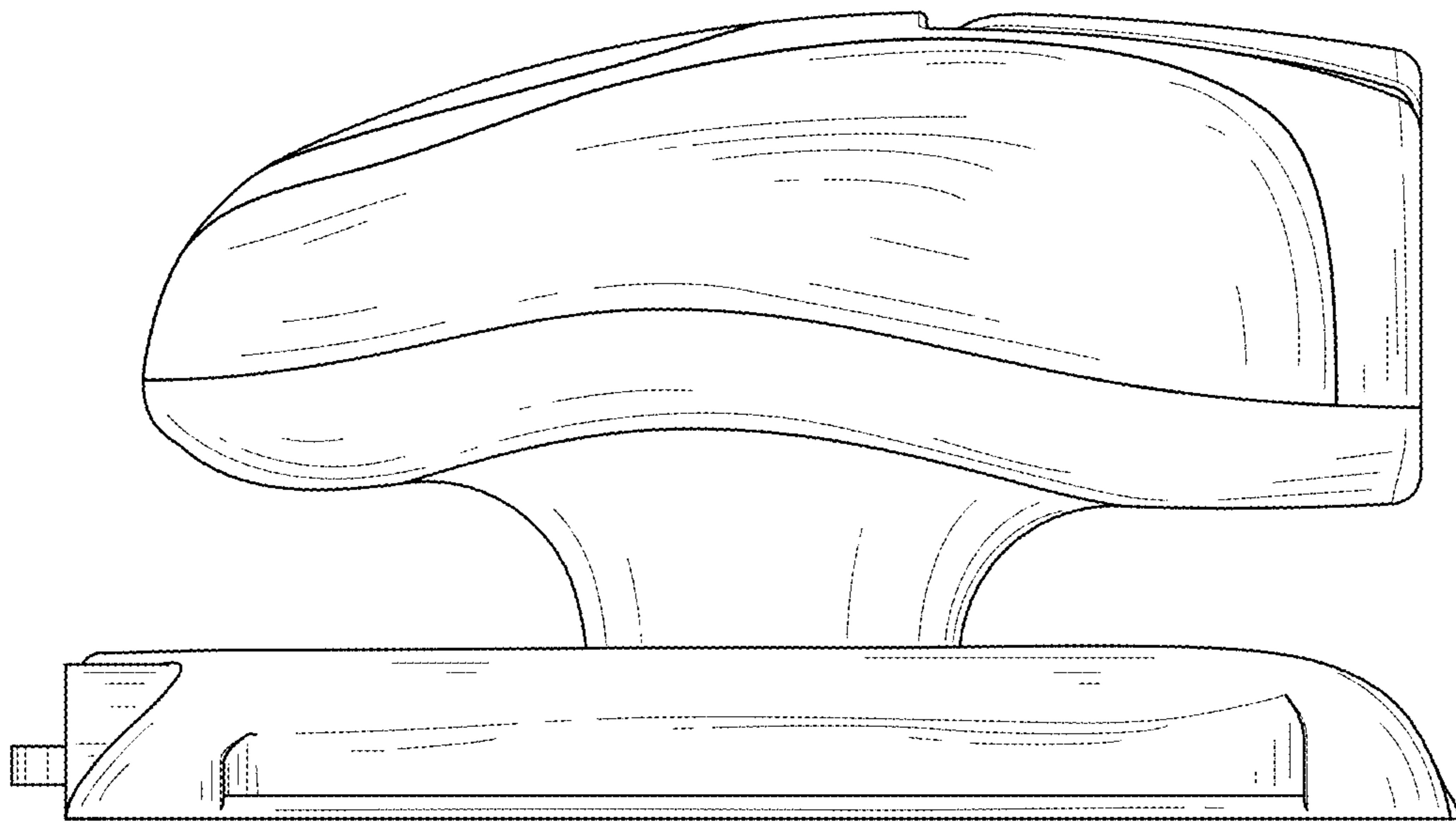


FIG. 5

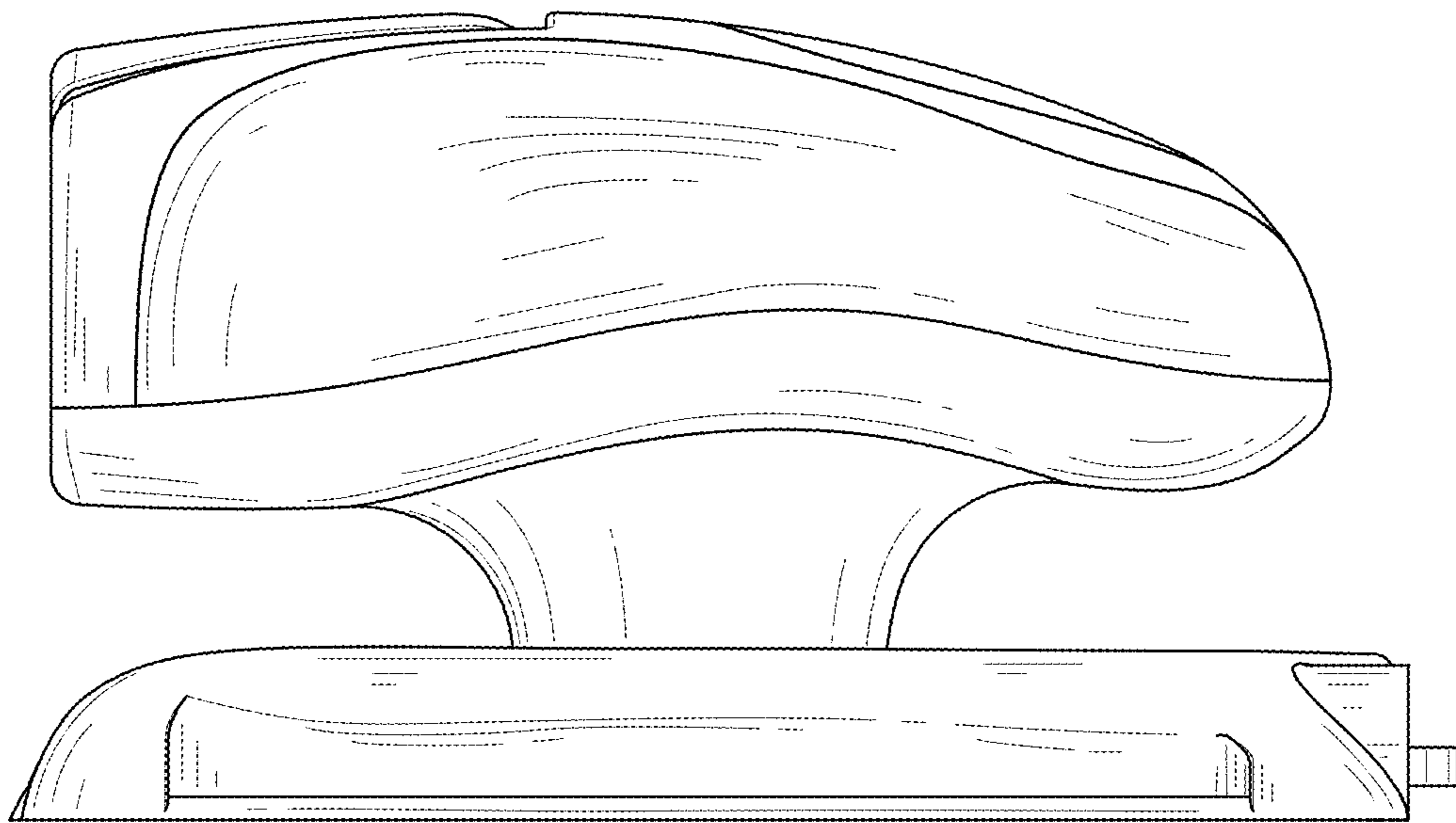


FIG. 6

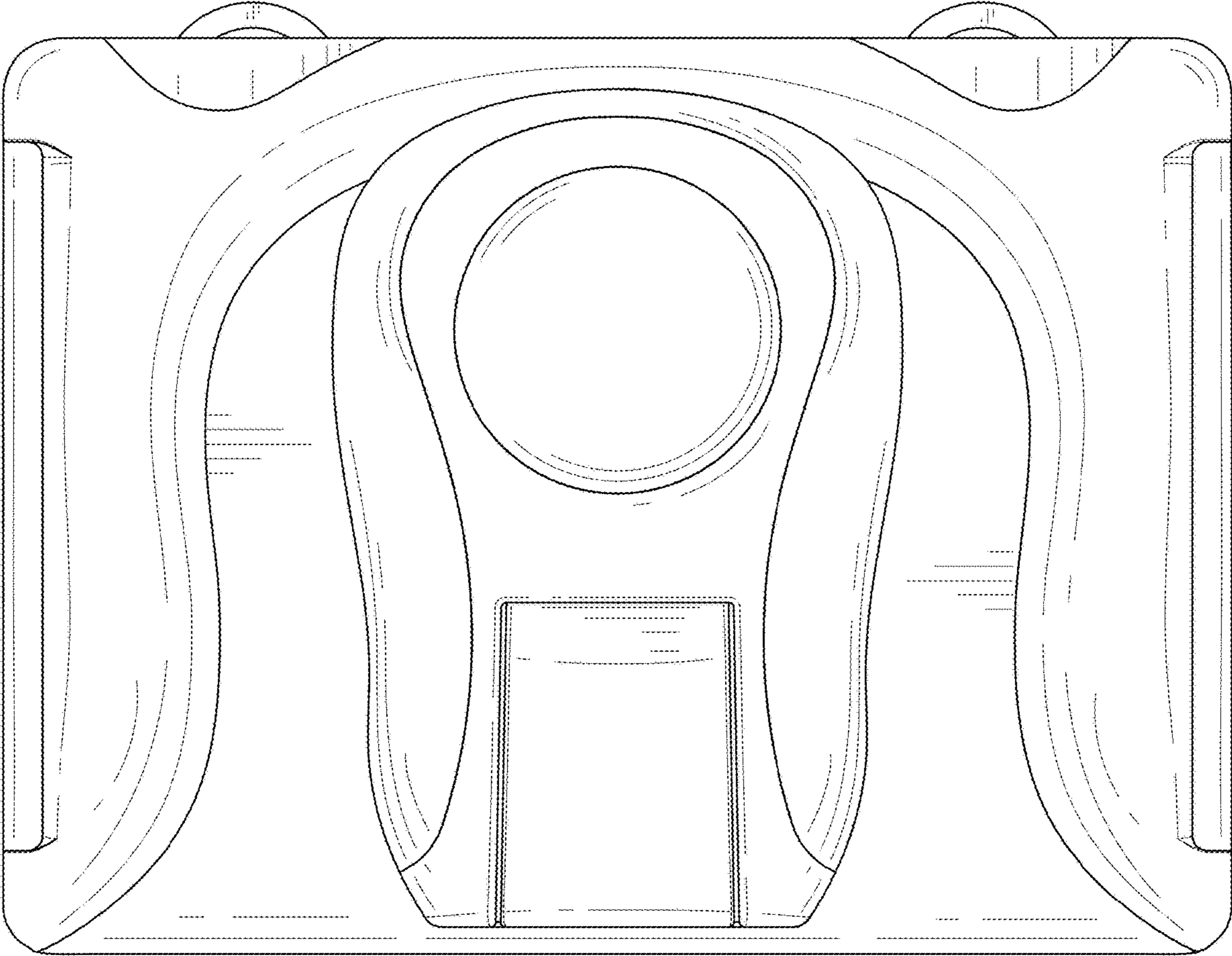


FIG. 7



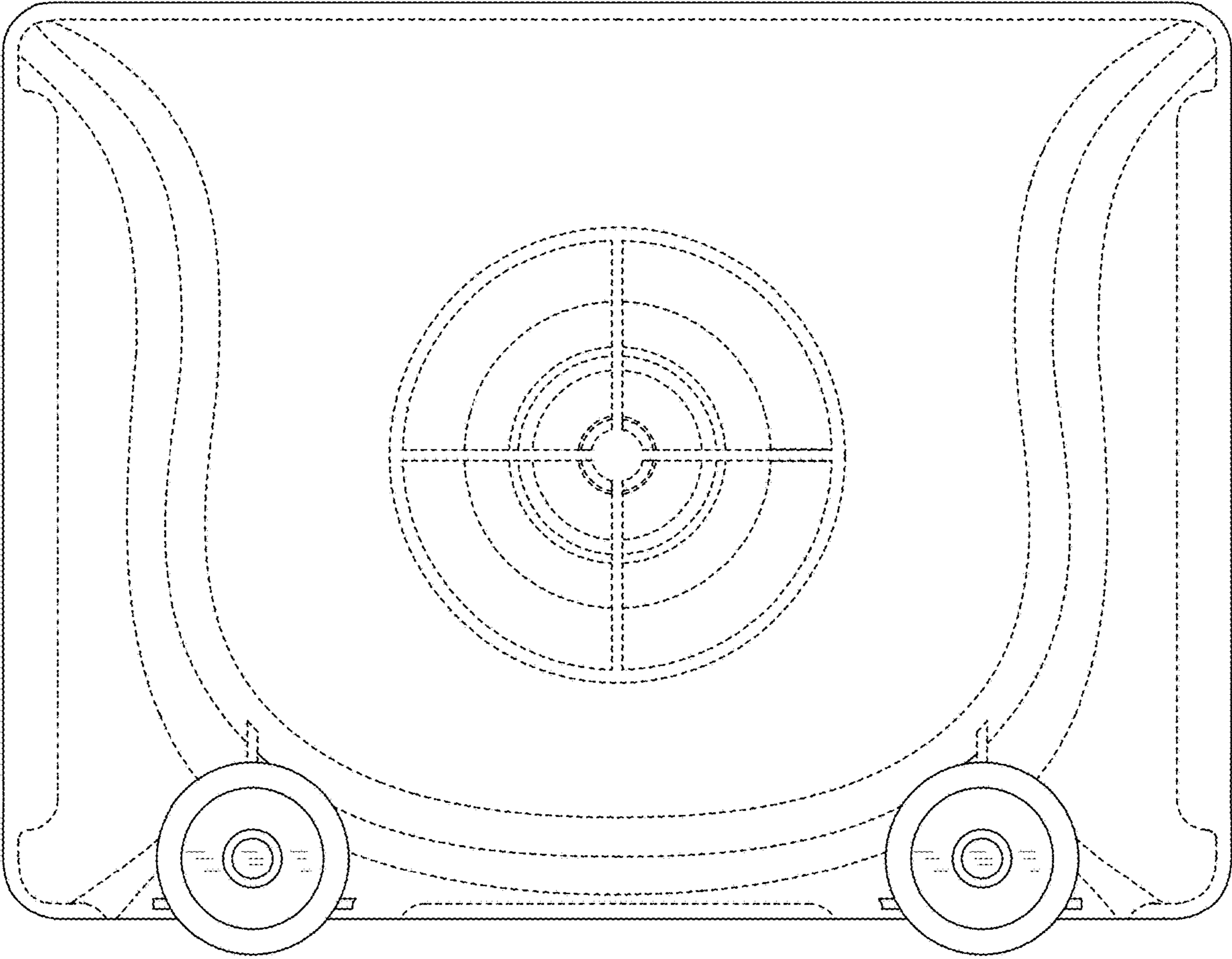


FIG. 8