



US00D912994S

(12) **United States Design Patent**
Wen et al.

(10) **Patent No.:** **US D912,994 S**

(45) **Date of Patent:** **** Mar. 16, 2021**

(54) **PAINT PAD**

(71) Applicant: **NINGBO YINZHOU JUNHANG TRDG CO., LTD**, Ningbo (CN)

(72) Inventors: **Jiajia Wen**, Ningbo (CN); **Jiyao Zhang**, Ningbo (CN)

(**) Term: **15 Years**

(21) Appl. No.: **29/699,506**

(22) Filed: **Jul. 26, 2019**

(51) **LOC (13) Cl.** **04-04**

(52) **U.S. Cl.**
USPC **D4/137**

(58) **Field of Classification Search**
USPC D4/100, 102, 109, 114, 115, 116, 117, D4/118, 119, 120, 121, 122, 123, 124, D4/125, 126, 127, 128, 129, 130, 131, D4/132, 133, 134, 135, 136, 137, 138, D4/199; D32/40, 41, 42, 46, 49, 50, 51; 15/245
CPC ... B05C 17/00; B25G 3/38; Y10T 403/32344; A46B 2200/20; A46B 2200/202; A46B 2200/302
See application file for complete search history.

(56) **References Cited**

U.S. PATENT DOCUMENTS

3,414,929 A * 12/1968 Warner B05C 17/00
15/231

D218,202 S * 7/1970 Nicolay D4/121

3,717,896 A * 2/1973 Chase B05C 17/00
15/210.1

4,219,899 A * 9/1980 Zurawin B05C 17/00
15/144.2

4,424,603 A * 1/1984 Balint B05C 17/0242
15/210.1

4,455,705 A * 6/1984 Graham A47L 13/08
15/121

4,658,461 A * 4/1987 Roe B05C 17/00
15/144.1

5,443,533 A * 8/1995 Magnien B05C 17/00
15/105

6,546,584 B2 * 4/2003 Hobden B05C 17/00
15/144.1

D482,202 S * 11/2003 Newman D4/121

D527,532 S * 9/2006 Henke D4/138

7,533,437 B1 * 5/2009 Gartner B05C 1/06
15/144.2

D616,651 S * 6/2010 Lin D4/132

7,854,037 B2 * 12/2010 Lu B05C 17/00
15/210.1

D825,194 S * 8/2018 Katsuma D4/137

D872,486 S * 1/2020 Katsuma D4/137

FOREIGN PATENT DOCUMENTS

CN 302448406 * 6/2013

* cited by examiner

Primary Examiner — Karen E Eldridge Powers
(74) *Attorney, Agent, or Firm* — Erson IP (Nelson IP)

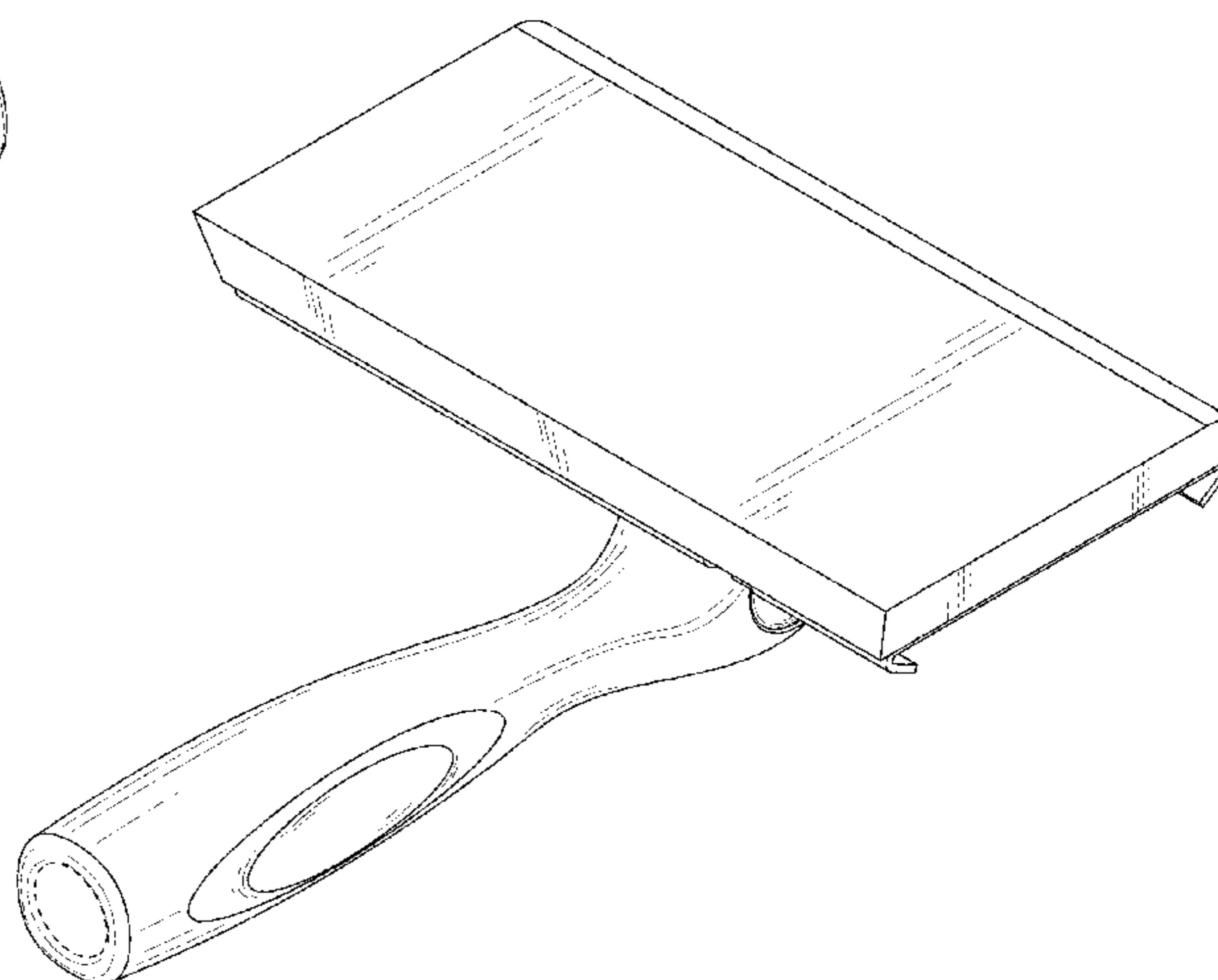
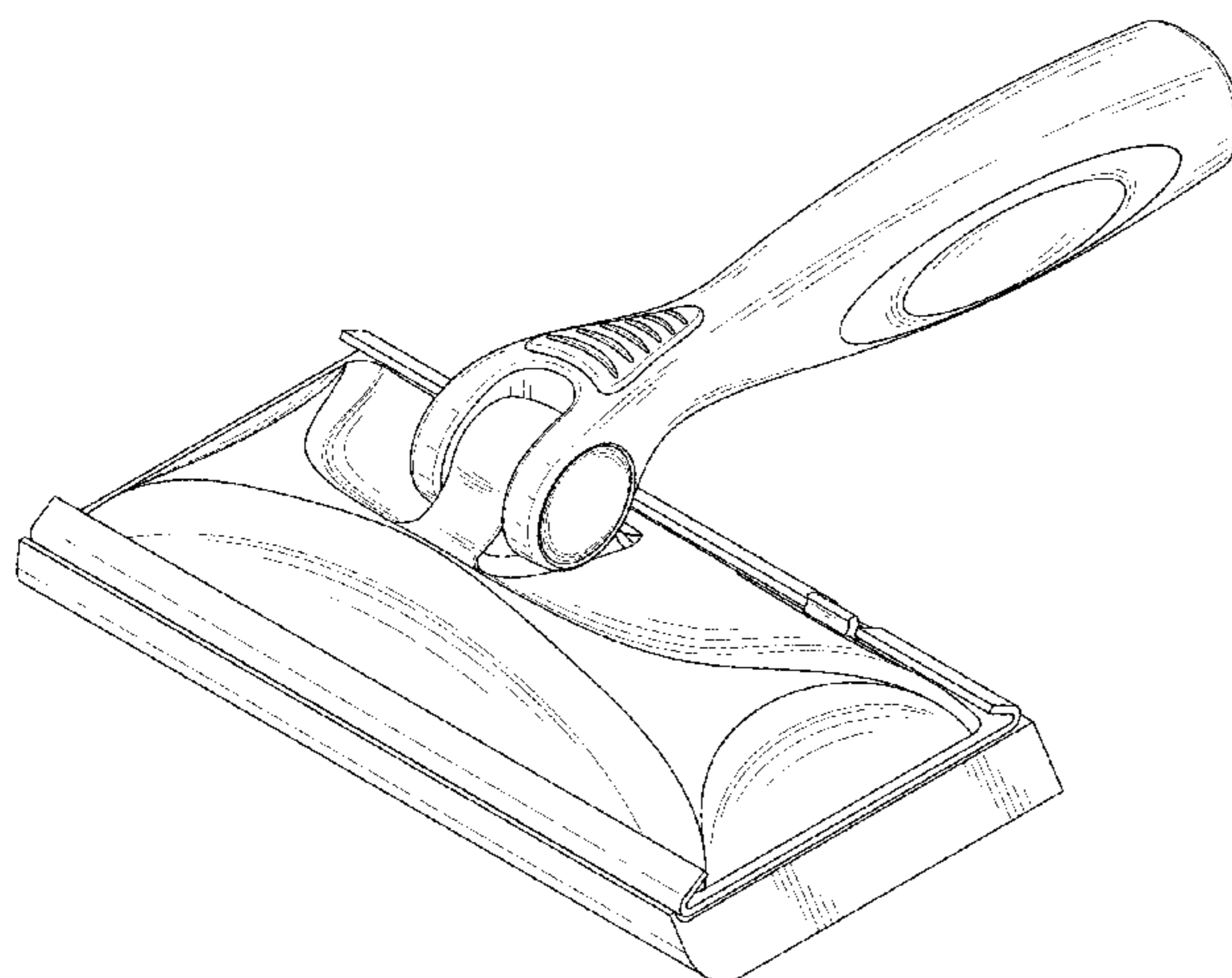
(57) **CLAIM**

The ornamental design for a paint pad, as shown and described.

DESCRIPTION

FIG. 1 is a top, front and right side perspective view of a paint pad showing our new design;
 FIG. 2 is bottom, rear and left side perspective view thereof;
 FIG. 3 is a front elevation view thereof;
 FIG. 4 is a rear elevation view thereof;
 FIG. 5 is a left side elevation view thereof;
 FIG. 6 is a right side elevation view thereof;
 FIG. 7 is a top plan view thereof; and,
 FIG. 8 is a bottom plan, view thereof.
 The broken lines are for the purposes of illustrating portions of the paint pad and form no part of the claimed design.

1 Claim, 8 Drawing Sheets



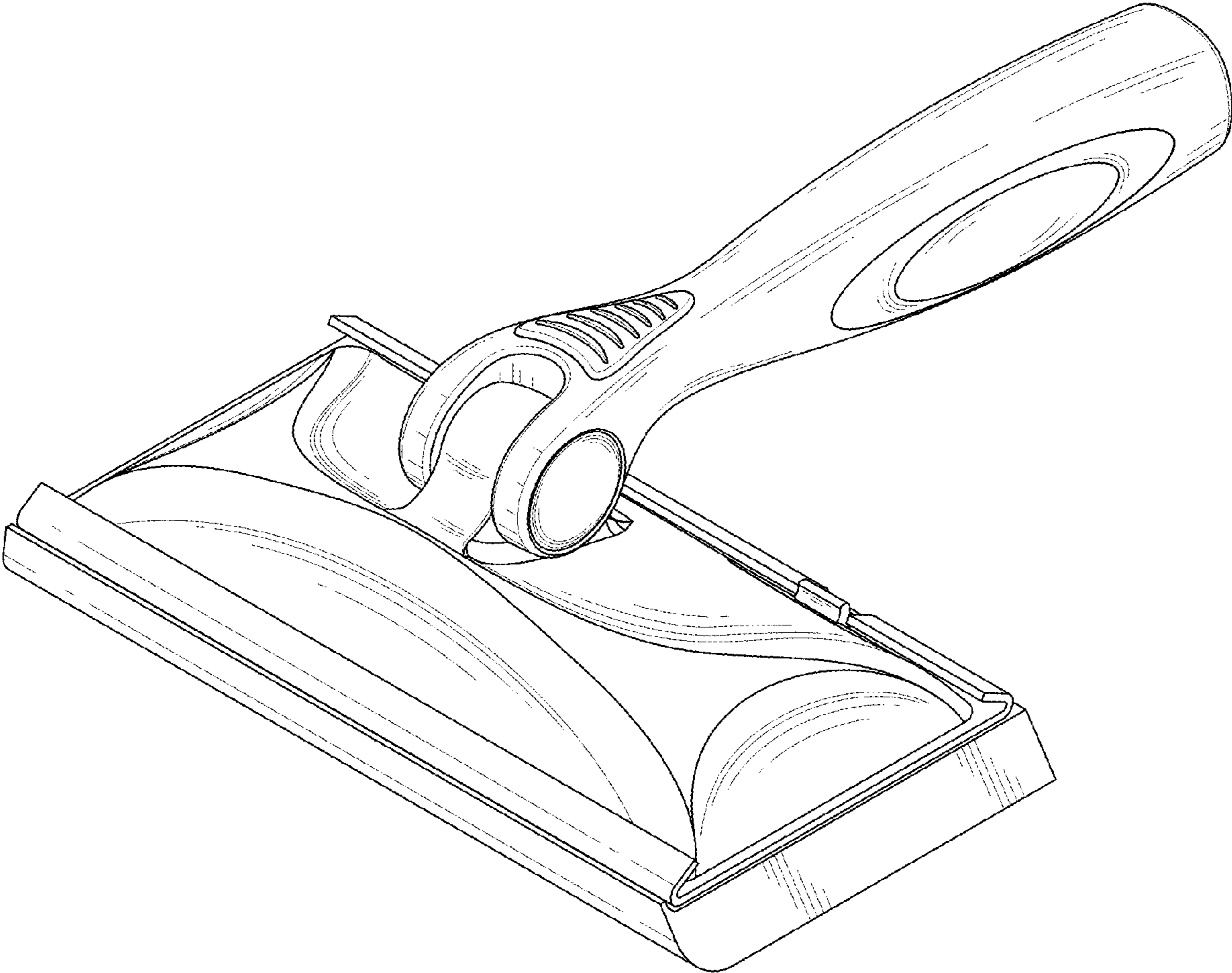


FIG. 1

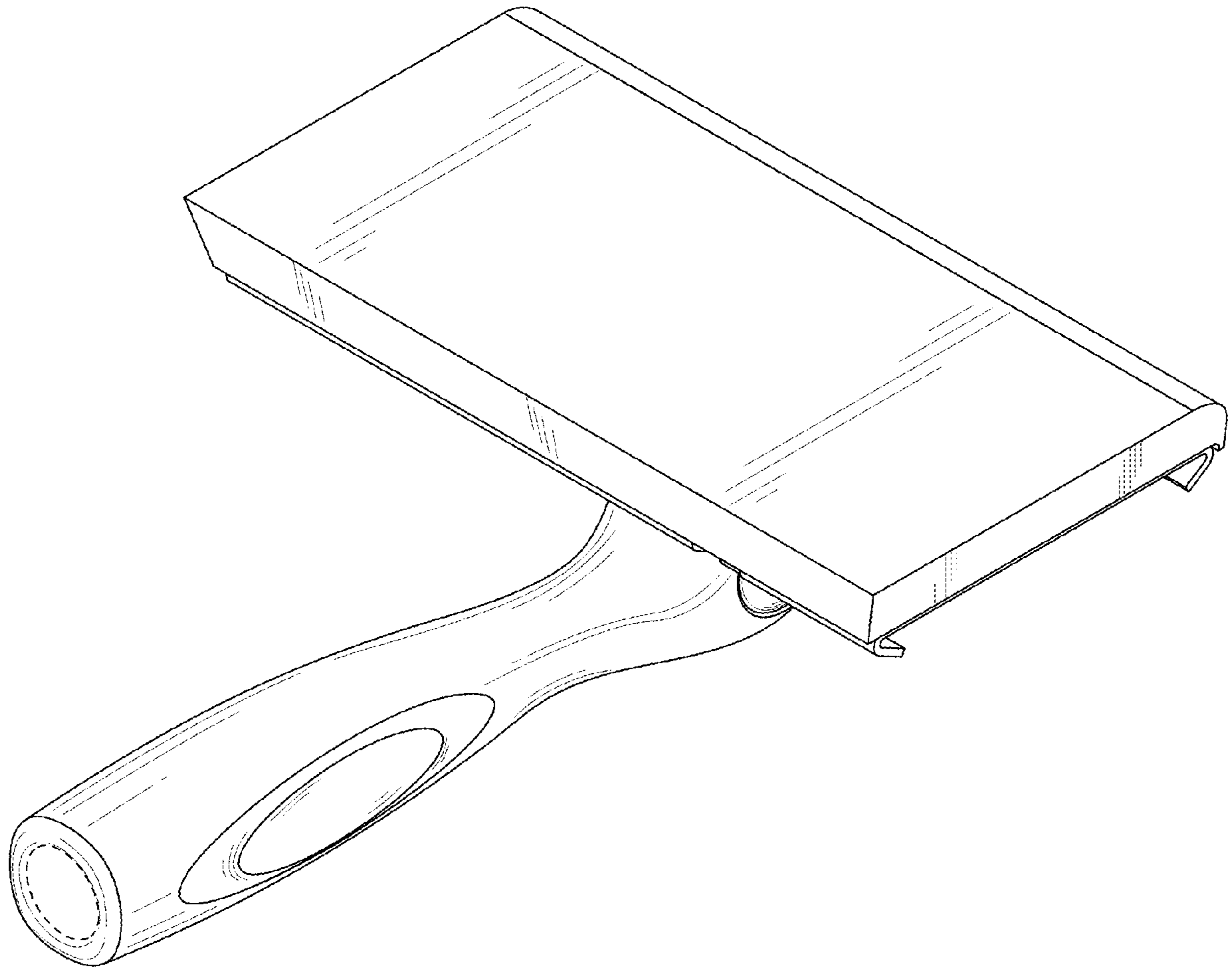


FIG. 2

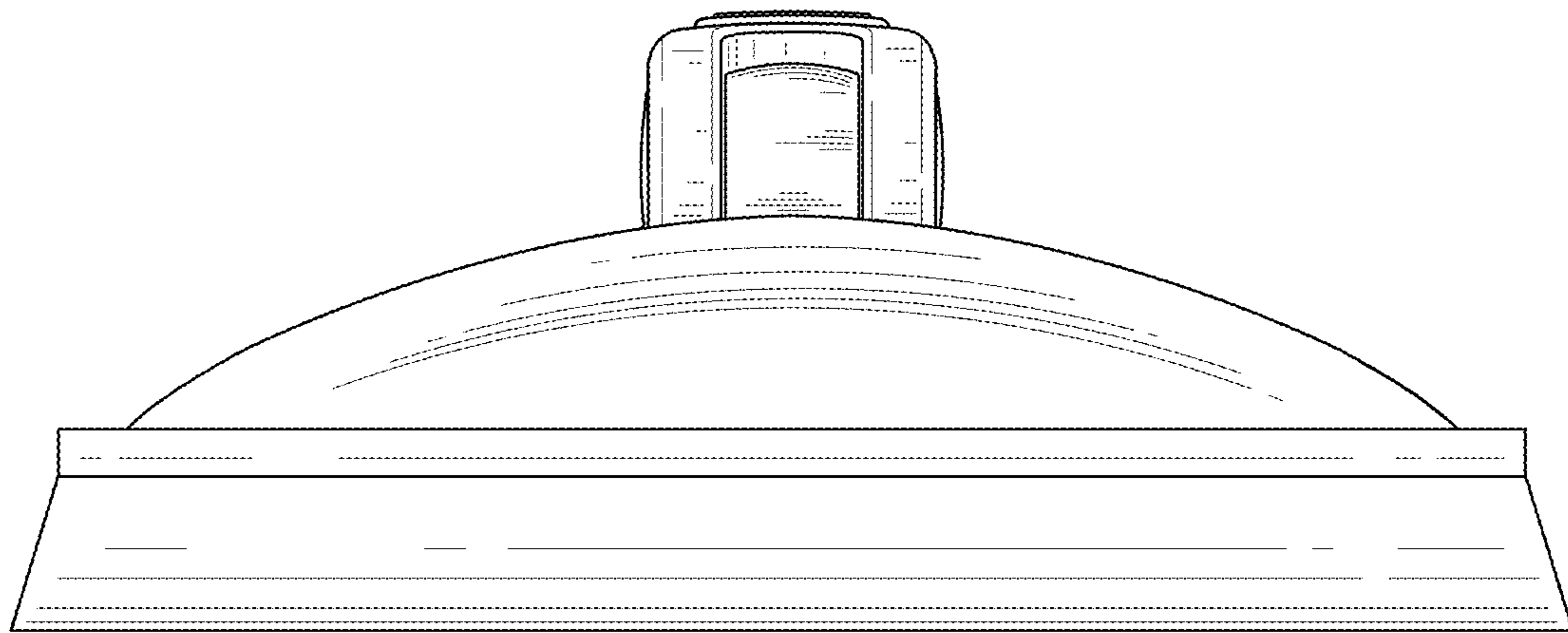


FIG. 3

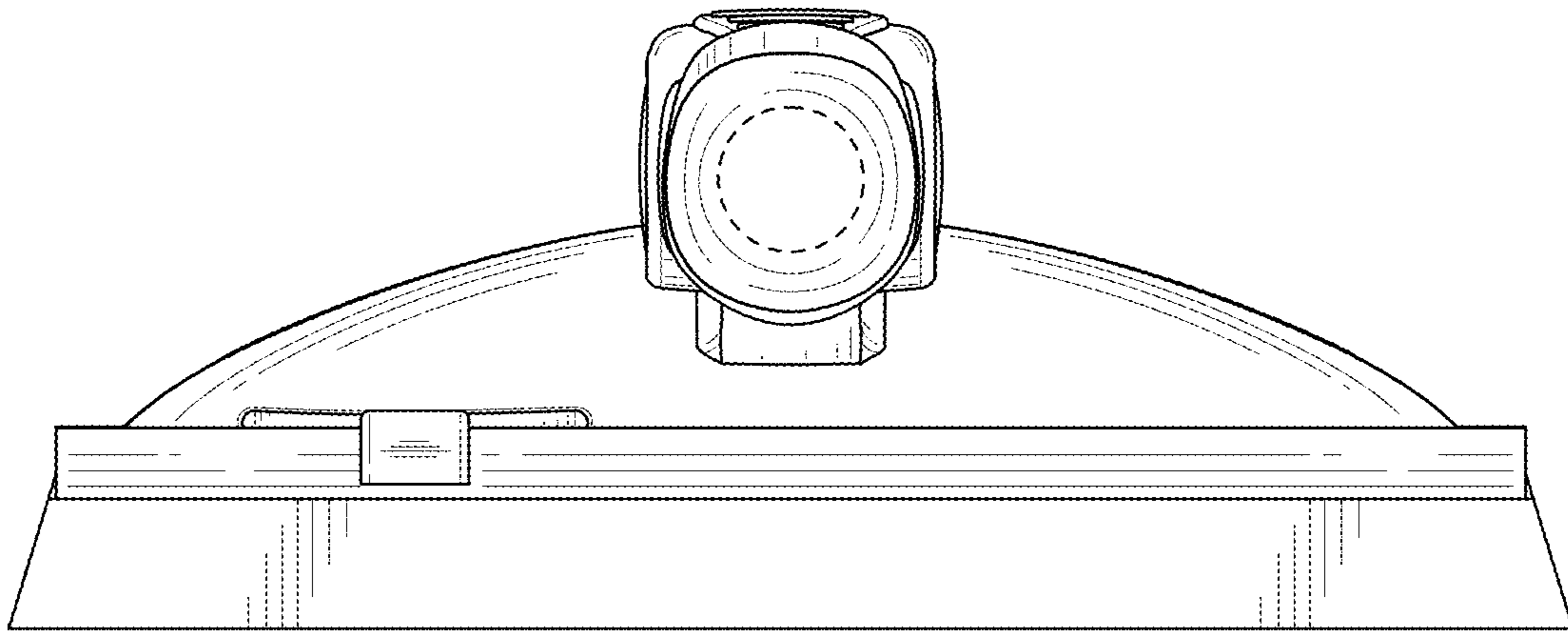


FIG. 4

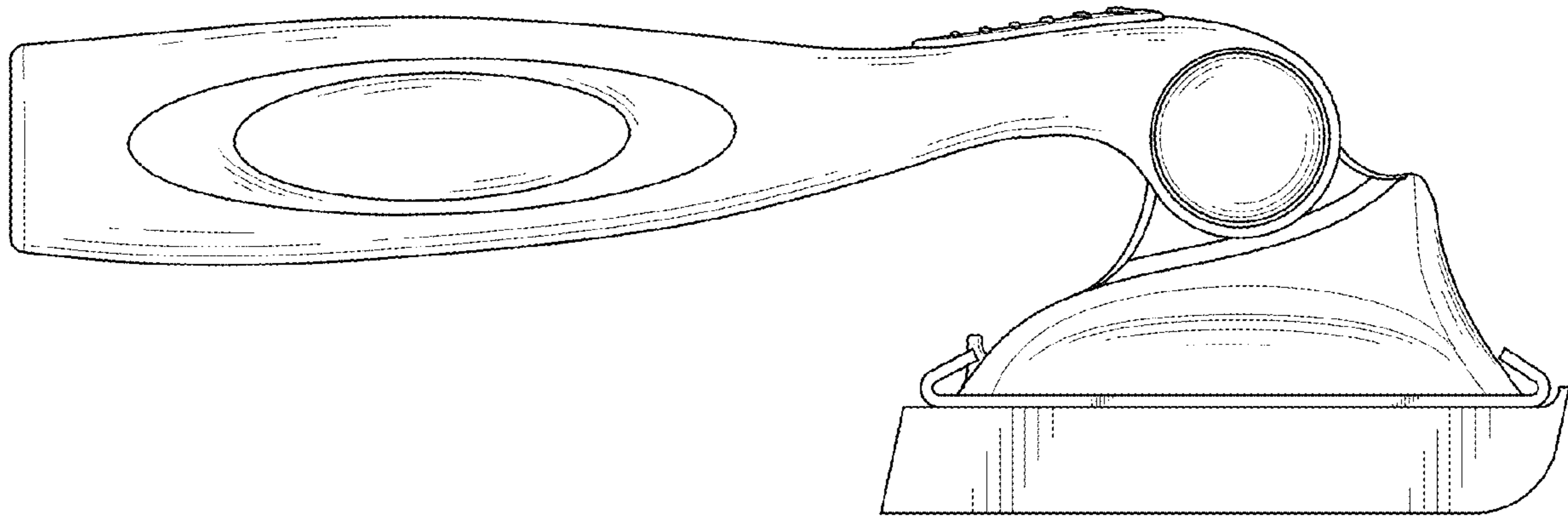


FIG. 5

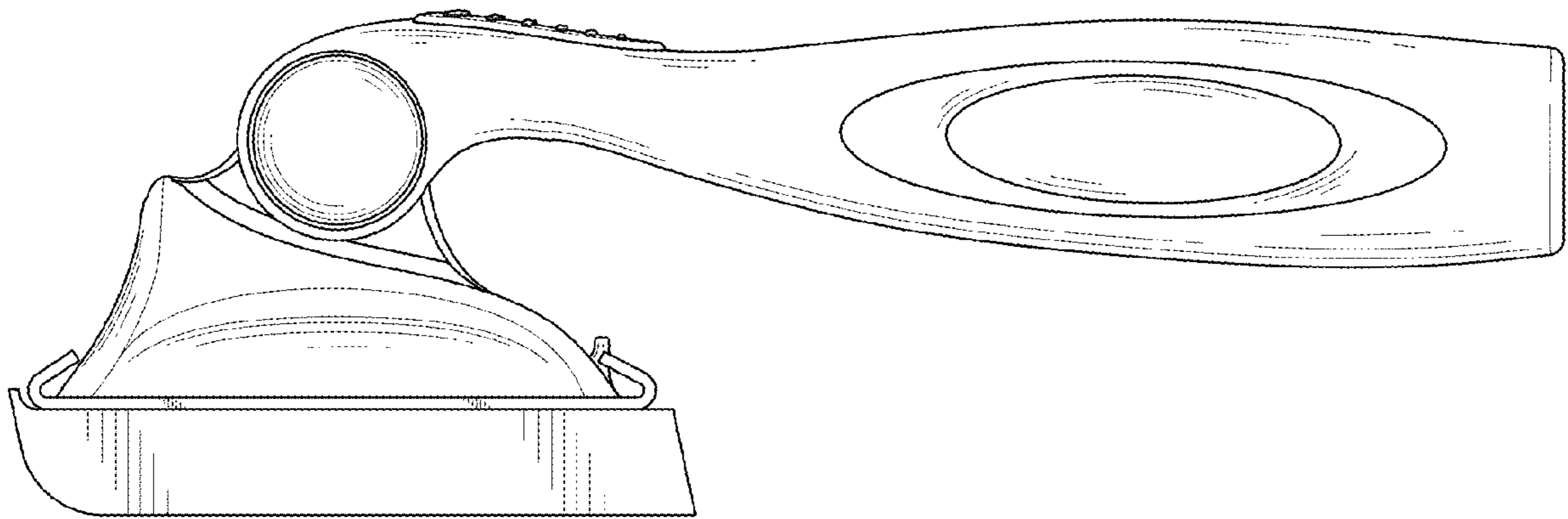


FIG. 6

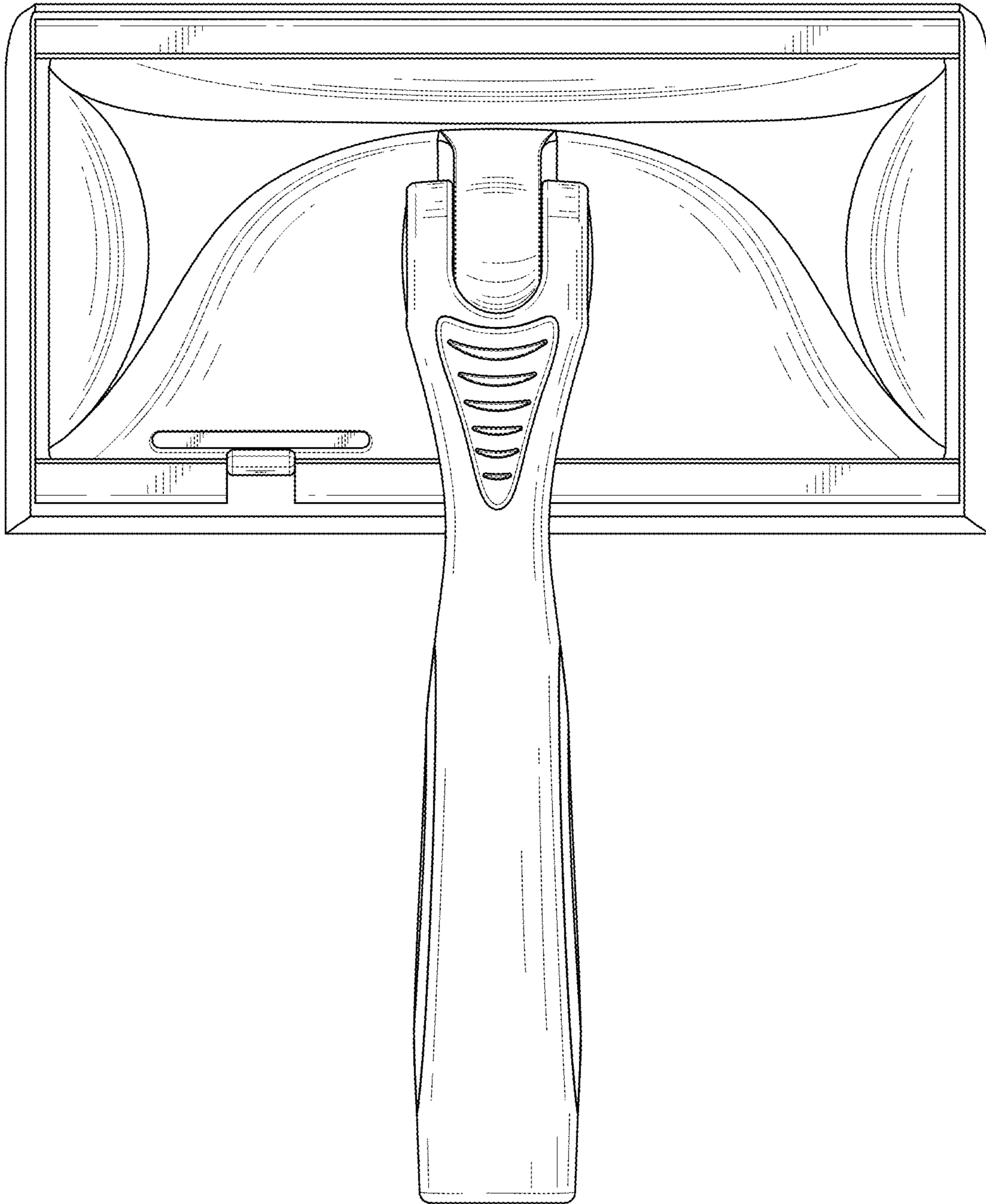


FIG. 7

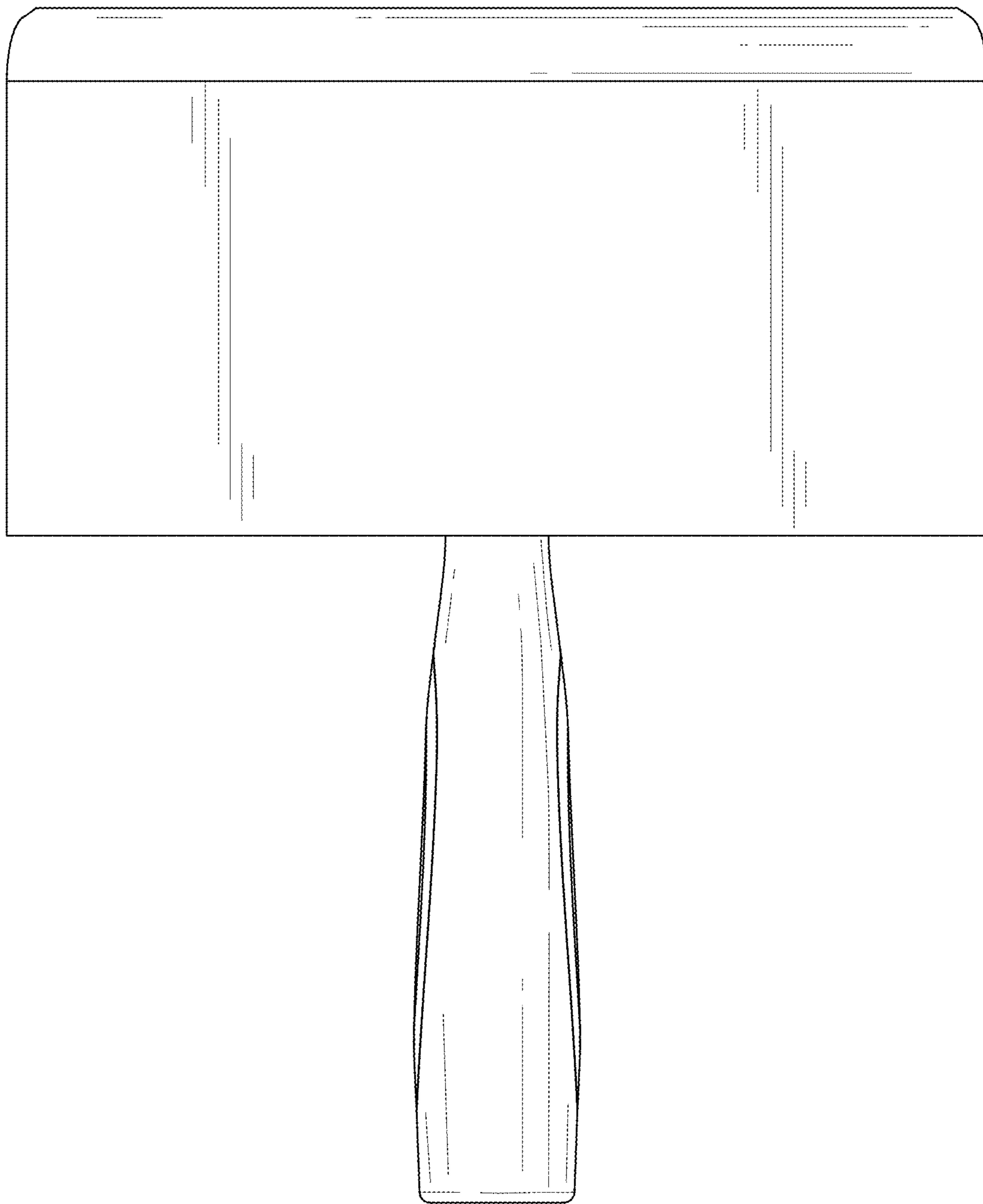


FIG. 8