



US00D912991S

(12) **United States Design Patent**
Luo et al.

(10) **Patent No.:** **US D912,991 S**
(45) **Date of Patent:** **** Mar. 16, 2021**

(54) **FACIAL CLEANSING APPARATUS**

(71) Applicant: **Dewei Luo**, Shenzhen (CN)

(72) Inventors: **Dewei Luo**, Shenzhen (CN); **Yongpeng Tang**, Shenzhen (CN)

(73) Assignee: **Dewei Luo**, Shenzhen (CN)

(**) Term: **15 Years**

(21) Appl. No.: **29/702,470**

(22) Filed: **Aug. 20, 2019**

(30) **Foreign Application Priority Data**

Feb. 21, 2019 (CN) 201930071253.1

(51) **LOC (13) Cl.** **04-02**

(52) **U.S. Cl.**
USPC **D4/102**

(58) **Field of Classification Search**

USPC D4/100, 102, 111, 118, 119, 120, 127,
D4/136, 137, 199; D24/141, 200, 211,
D24/213, 214, 215; D28/4, 7, 36, 37, 57,
D28/58, 63, 64.1, 76; 601/48, 51, 57,
601/114, 122, 125, 130; 15/110, 141.2
CPC A46B 13/00; A46B 13/02; A46B 13/001;
A46B 13/008; A46B 7/00; A46B 7/06;
A46B 2200/10; A46B 2200/40; A46B
2200/102; A46B 2200/1006; A46B
2200/1033; A46B 2200/1046; A46B
2200/1093; A46B 5/02; A46B 5/026;
A46B 5/0091; A46B 3/04; A46B 3/22;
A46B 9/02; A46B 9/005

See application file for complete search history.

(56) **References Cited**

U.S. PATENT DOCUMENTS

D573,346 S * 7/2008 Daubenspeck D4/102
D615,304 S * 5/2010 Cole D4/103

D646,490 S * 10/2011 Pires D4/136
D750,893 S * 3/2016 Owen D4/100
D804,826 S * 12/2017 Kling D4/127
D816,346 S * 5/2018 Zhou D4/100
D818,272 S * 5/2018 Tai D4/100
D822,387 S * 7/2018 Tai D4/100
D844,996 S * 4/2019 Kymm D4/102
D862,087 S * 10/2019 Ma D4/100
D864,860 S * 10/2019 Zhan D13/108
D866,074 S * 11/2019 Tammabattula D28/63
D866,981 S * 11/2019 Tammabattula D28/63
D866,981 S * 11/2019 He D4/102
D872,372 S * 1/2020 Tammabattula D28/63
D872,939 S * 1/2020 Tammabattula D28/63
D872,940 S * 1/2020 Tammabattula D28/63

(Continued)

Primary Examiner — Wan Laymon
Assistant Examiner — Clint A Samuel

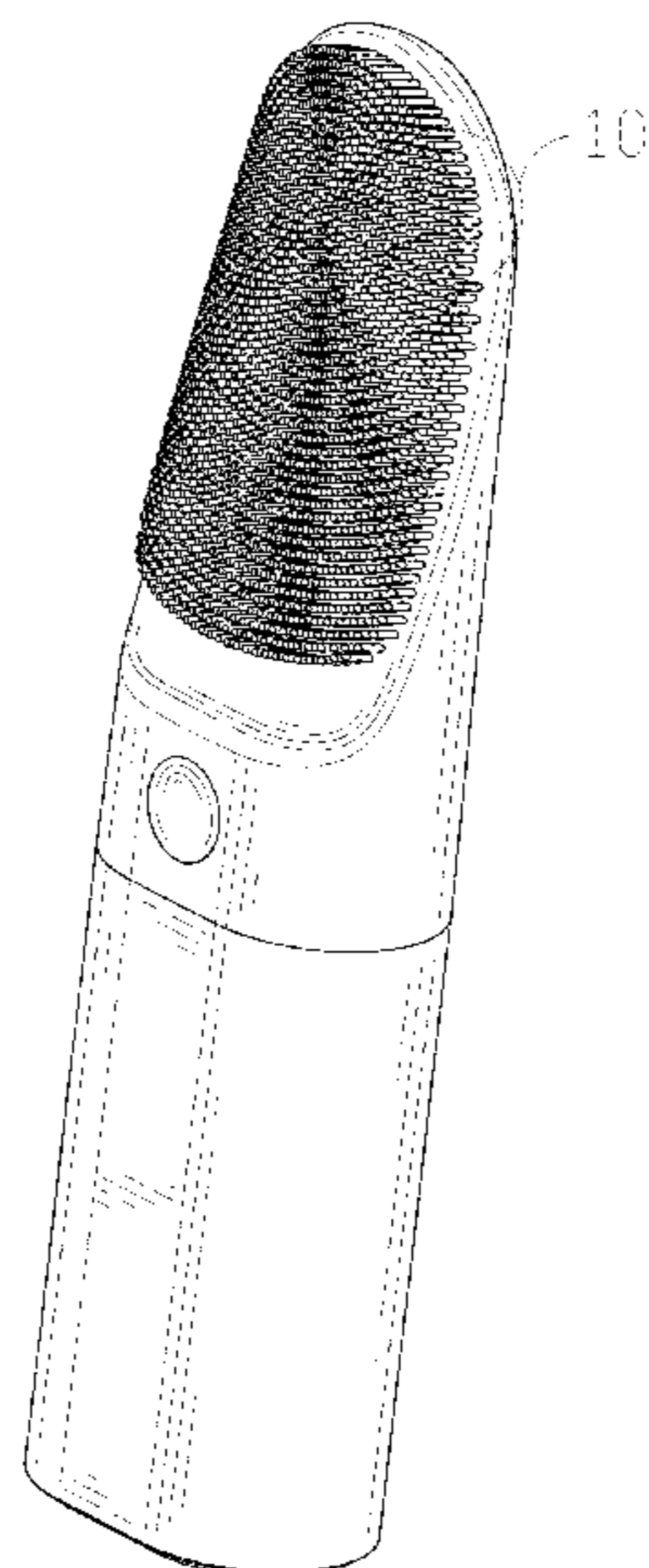
(57) **CLAIM**

The ornamental design for a facial cleansing apparatus, as shown and described.

DESCRIPTION

FIG. 1 is a perspective view of a facial cleansing apparatus showing my new design;
FIG. 2 is another perspective view thereof;
FIG. 3 is a front elevational view thereof;
FIG. 4 is a rear elevational view thereof;
FIG. 5 is a right side elevational view thereof;
FIG. 6 is a left side elevational view thereof;
FIG. 7 is a top plan view thereof;
FIG. 8 is a bottom plan view thereof;
FIG. 9 is a perspective view of FIG. 1 in a second state, shown with an unclaimed cap; and,
FIG. 10 an enlarged view of the encircled portion 10 of FIG. 1.
The broken lines in the drawings are for the purpose of illustrating portions of the facial cleansing apparatus that form no part of the claimed design.

1 Claim, 10 Drawing Sheets



(56)

References Cited

U.S. PATENT DOCUMENTS

D882,961 S *	5/2020	Luo	D4/116
D887,083 S *	6/2020	Luo	D28/59
D893,195 S *	8/2020	Li	D4/100
D893,886 S *	8/2020	Xiong	D4/127
D906,678 S *	1/2021	Ge	D4/100
2020/0367637 A1 *	11/2020	Yang	A47K 7/04

* cited by examiner

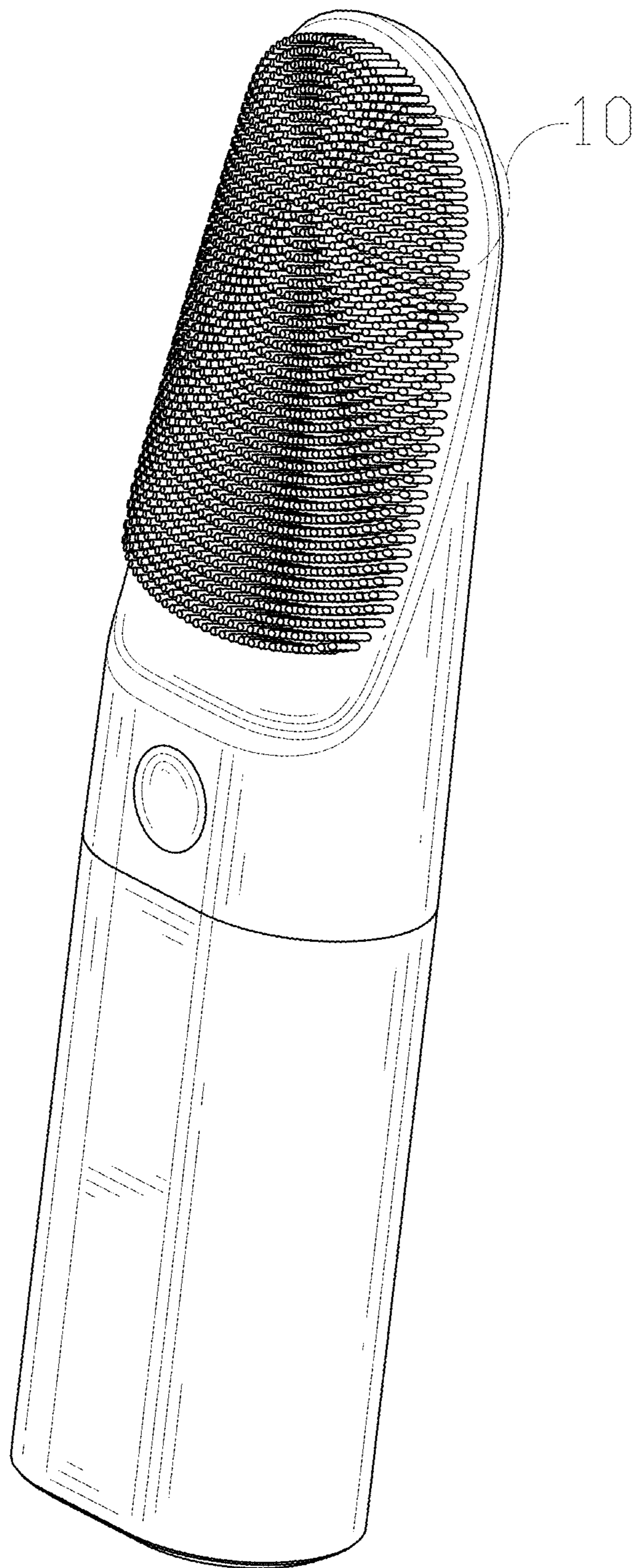


FIG. 1

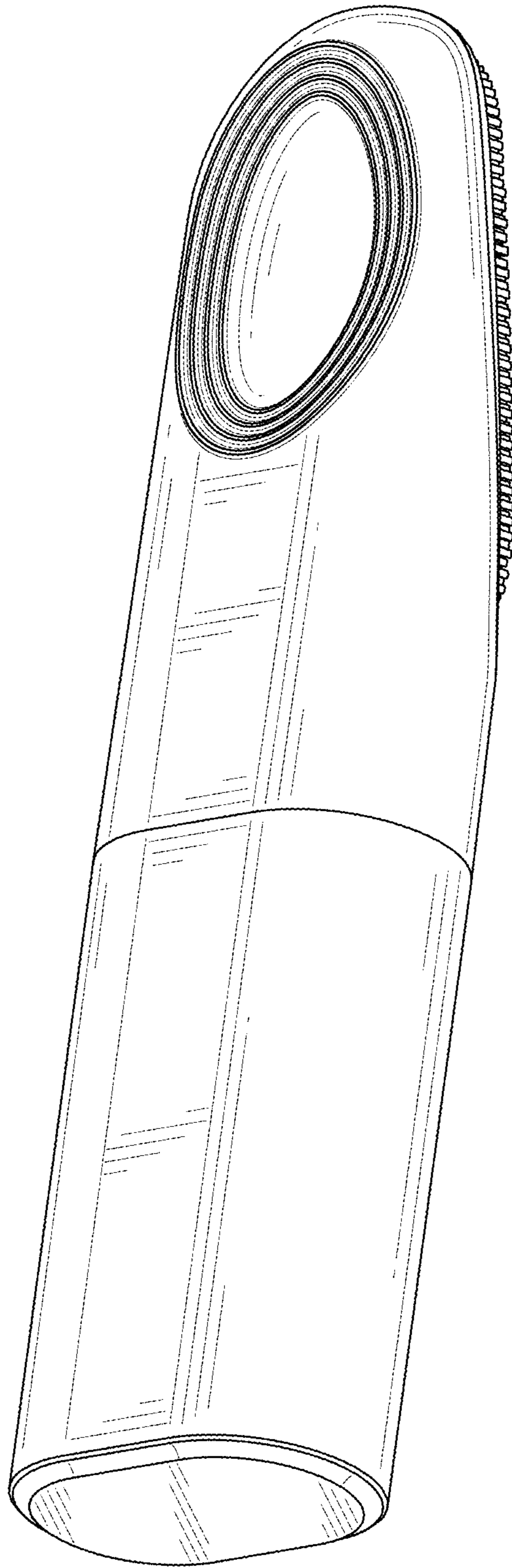


FIG. 2

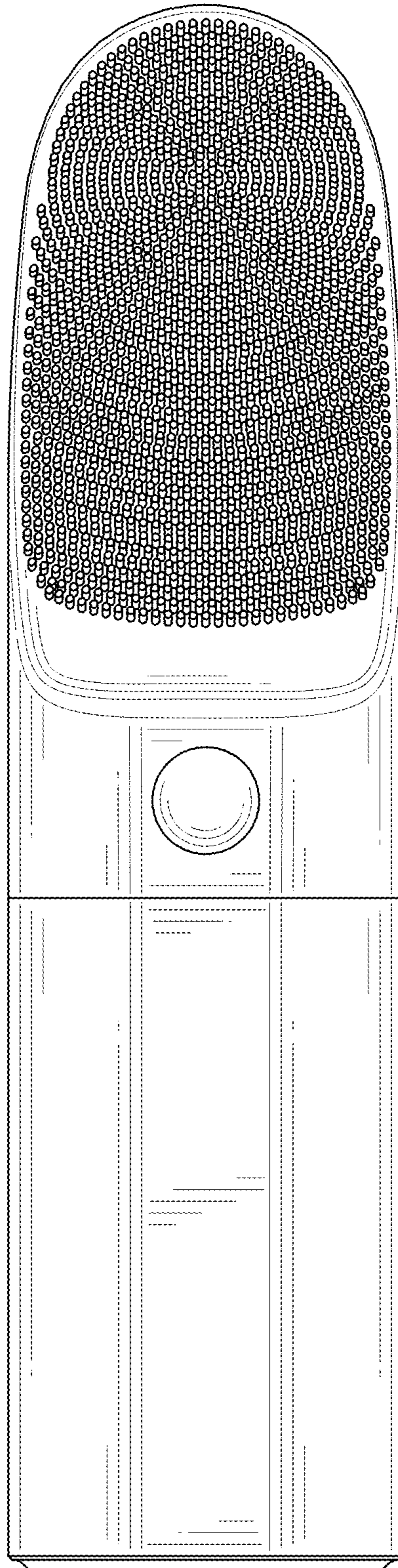


FIG. 3

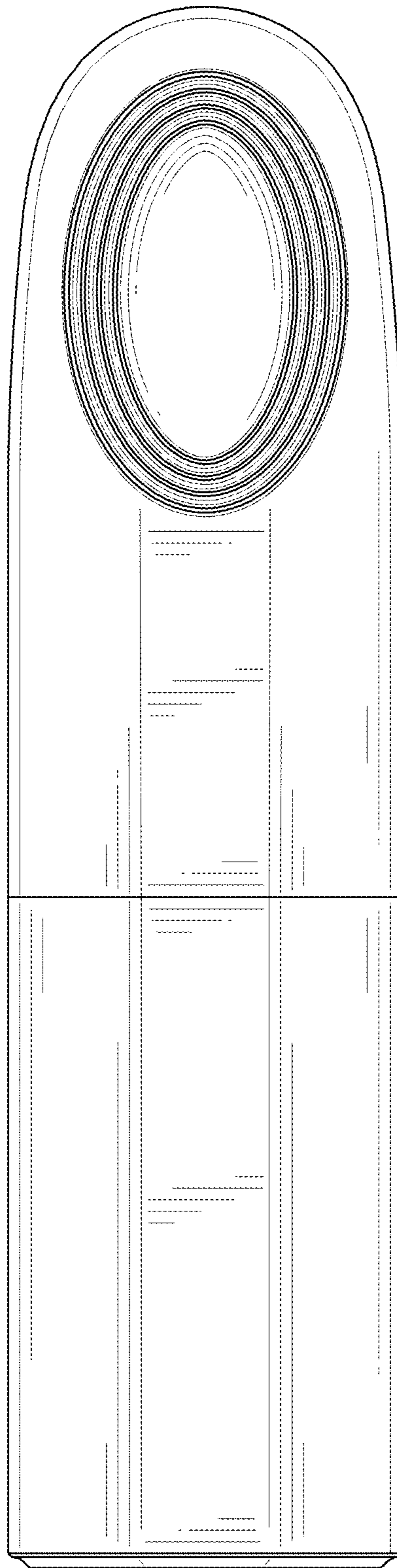


FIG. 4

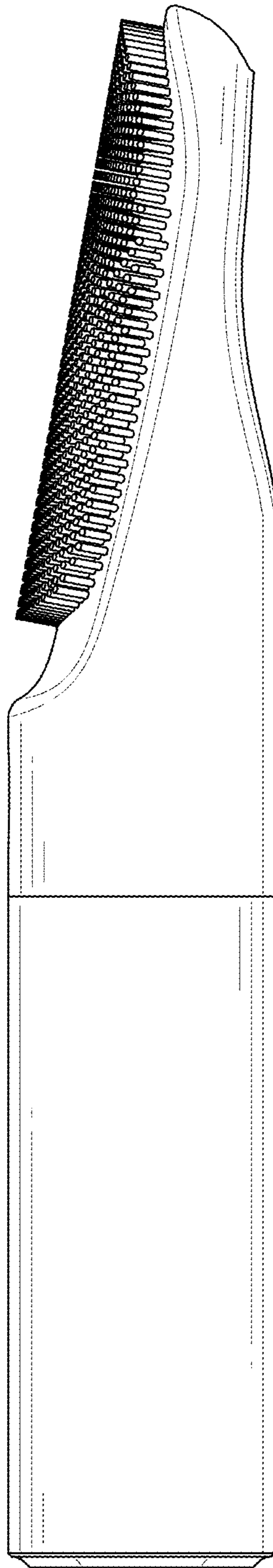


FIG. 5

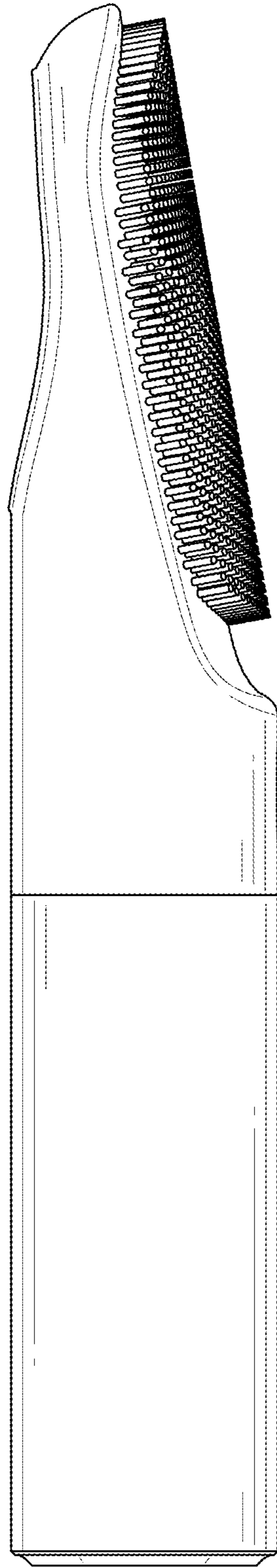


FIG. 6

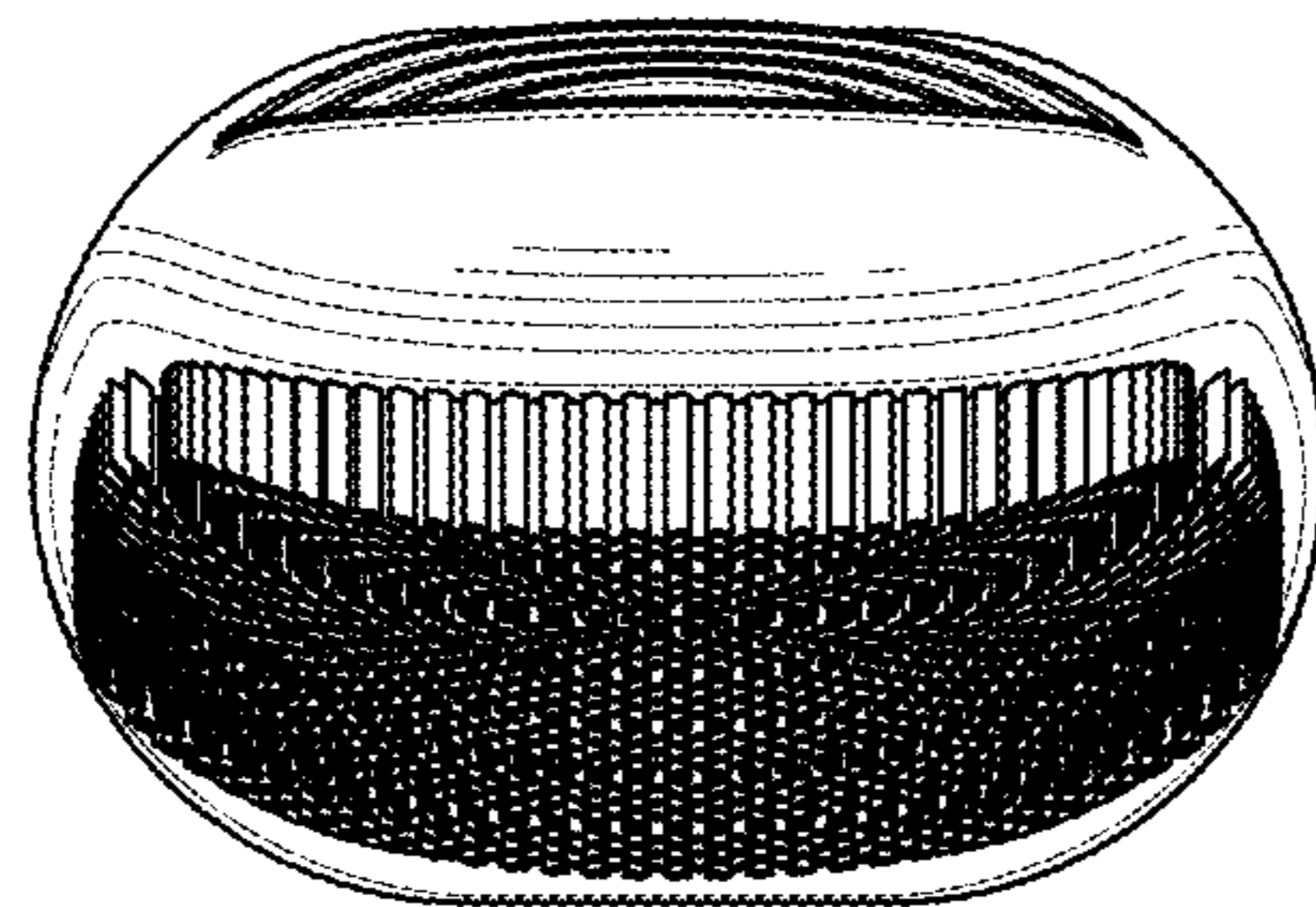


FIG. 7

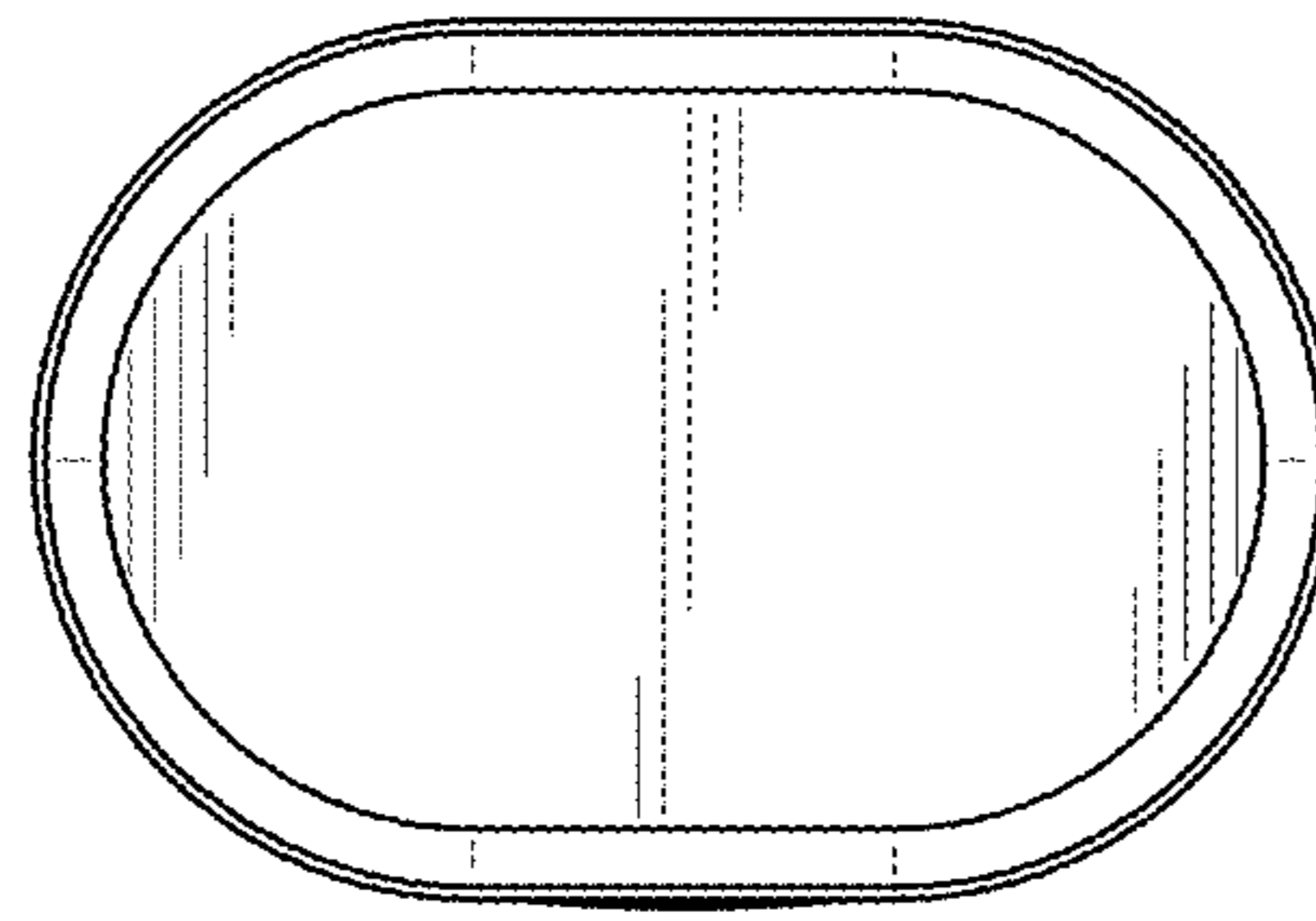


FIG. 8

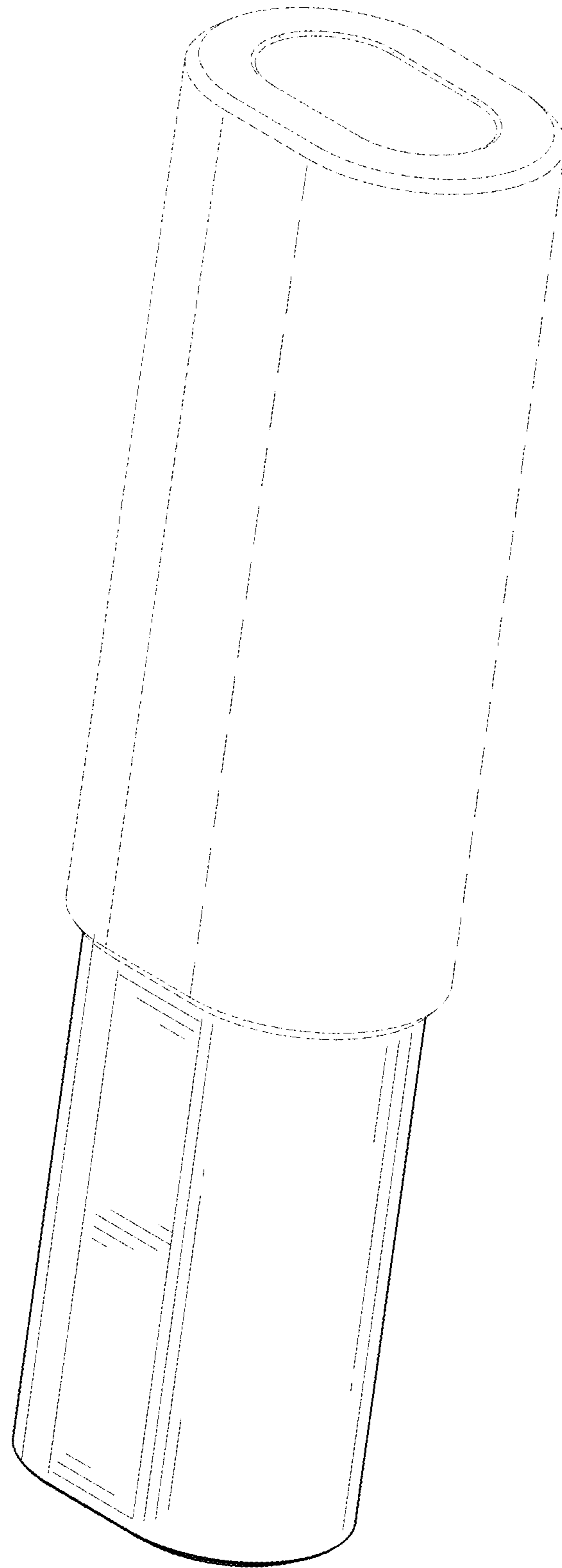


FIG. 9

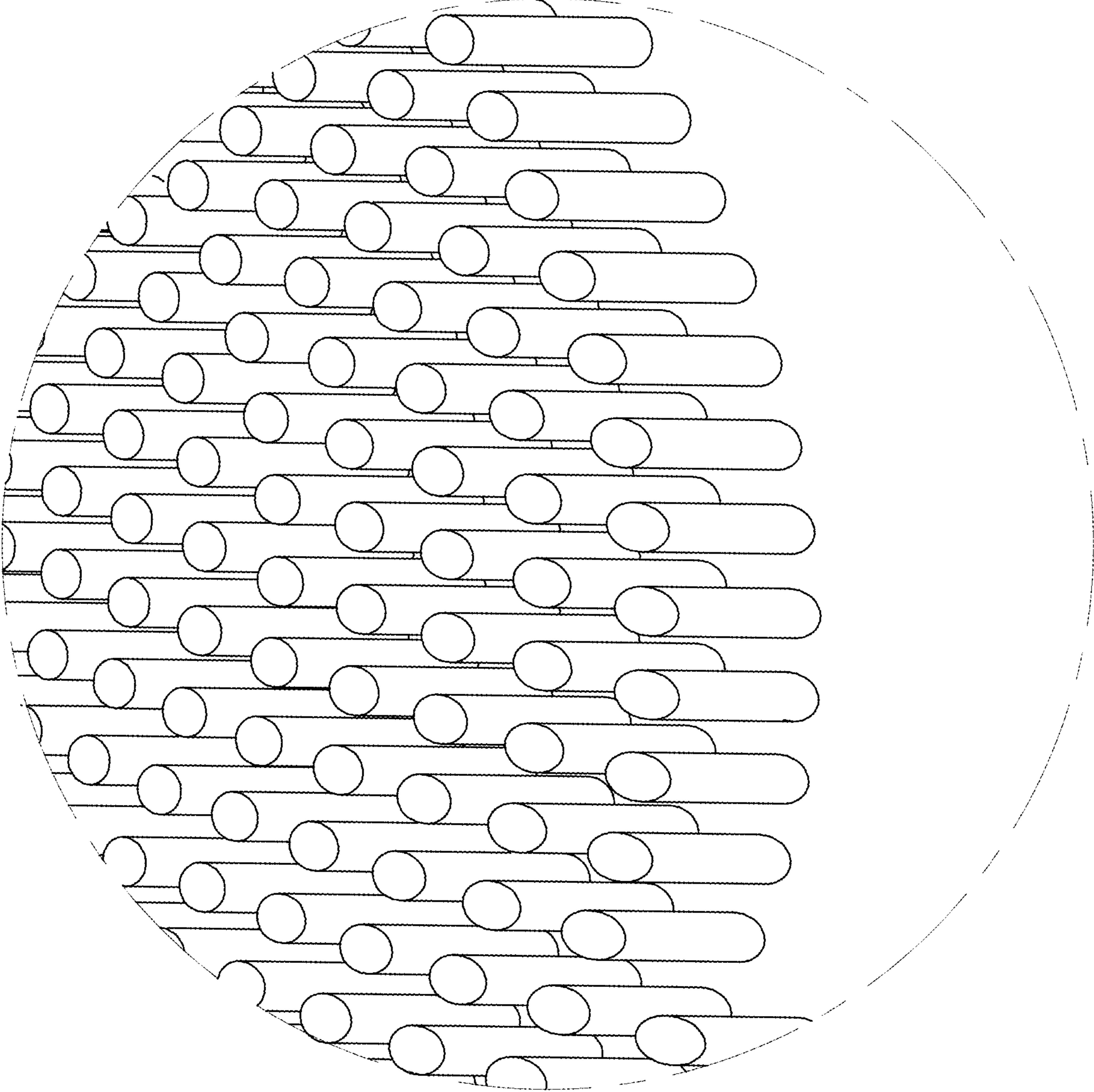


FIG. 10