



US00D912990S

(12) **United States Design Patent**
Cagle et al.

(10) **Patent No.:** **US D912,990 S**
(45) **Date of Patent:** **** Mar. 16, 2021**

(54) **ORAL CARE DEVICE**

FOREIGN PATENT DOCUMENTS

(71) Applicant: **Sage Products, LLC**, Cary, IL (US)

CN 203493048 U 3/2014
FR 2606615 A 5/1988
WO WO-2009/138723 11/2009

(72) Inventors: **Ronald Christopher Cagle**, Crystal Lake, IL (US); **Paul Michael Fowler**, Rockford, IL (US); **Timothy J. Rapinchuk**, Cary, IL (US)

OTHER PUBLICATIONS

(73) Assignee: **Sage Products, LLC**, Cary, IL (US)

Sage Products | Oral Hygiene Systems for Non-Ventilated Patients, posted on Jan. 31, 2009, © Sage Products LLC 2020 [online], [site visited Aug. 31, 2020]. Available from Internet, <URL: <https://sageproducts.com/oral-hygiene-for-non-ventilated-patients/>>.*

(**) Term: **15 Years**

(Continued)

(21) Appl. No.: **29/709,617**

Primary Examiner — Cary M Robinson

(22) Filed: **Oct. 16, 2019**

(74) *Attorney, Agent, or Firm* — Foley & Lardner LLP

Related U.S. Application Data

(57) **CLAIM**

(62) Division of application No. 29/607,468, filed on Jun. 13, 2017, now Pat. No. Des. 864,576.

We claim the ornamental design for an oral care device, as shown and described.

(51) **LOC (13) Cl.** **28-03**

DESCRIPTION

(52) **U.S. Cl.**
USPC **D4/101**

(58) **Field of Classification Search**
USPC D1/106, 199; D4/100–104, 108–111, D4/120, 127, 128, 132–136, 138, 199; D6/524, 551; D8/61; D13/107, 108; D14/288; D24/119, 146, 180; D30/158, D30/159
CPC A46B 5/00; A46B 9/04; A46B 9/10; A46B 7/00; A46B 2200/1066; A46B 2200/1073; A46B 2200/1086
See application file for complete search history.

FIG. 1 is a front, right, perspective view of the claimed design of the oral care device, according to an embodiment; FIG. 2 is a rear, right, perspective view of the claimed design of FIG. 1; FIG. 3 is a top view of the claimed design of FIG. 1; FIG. 4 is a bottom view of the claimed design of FIG. 1; FIG. 5 is a left side view of the claimed design of FIG. 1; FIG. 6 is a right side view of the claimed design of FIG. 1; FIG. 7 is a front side view of the claimed design of FIG. 1; and, FIG. 8 is a rear side view of the claimed design of FIG. 1. The ornamental design which is claimed is shown in solid lines in the drawings. The broken lines in the drawings are for illustrative purposes only and form no part of the claimed design. Oblique lines show a transparent, reflective, or shiny surface, and not surface ornamentation.

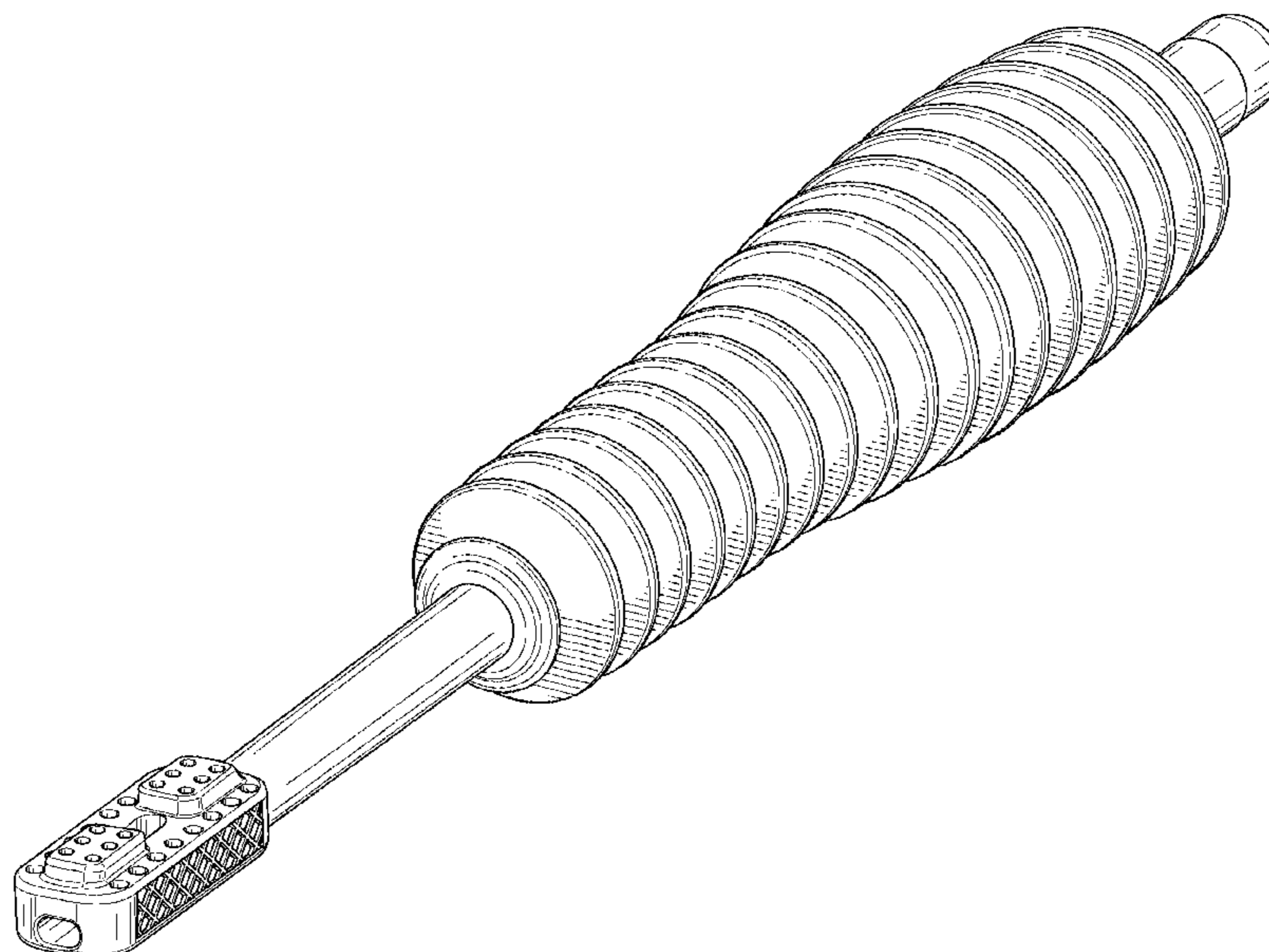
(56) **References Cited**

U.S. PATENT DOCUMENTS

1,128,045 A 2/1915 Reenstierna
1,254,714 A 1/1918 McCombs

(Continued)

1 Claim, 5 Drawing Sheets



(56)

References Cited

U.S. PATENT DOCUMENTS

1,283,403 A 10/1918 Eustis
 1,419,593 A 6/1922 Thompson
 D149,620 S 5/1948 Darr
 D162,881 S 4/1951 Richardson
 D172,862 S 8/1954 Brennan
 D174,292 S 3/1955 Perez
 D186,902 S 12/1959 Fried
 3,411,723 A 11/1968 Kohn
 3,488,788 A 1/1970 Robinson
 3,840,932 A 10/1974 Balamuth et al.
 4,149,815 A 4/1979 Kawam
 4,174,035 A 11/1979 Wiegner
 4,192,035 A 3/1980 Kuris
 D282,317 S 1/1986 Herzfeld
 D282,319 S 1/1986 Herzfeld
 D282,698 S 2/1986 Newton, Jr.
 4,854,760 A 8/1989 Unidec
 4,915,219 A 4/1990 Ottimo
 4,976,379 A 12/1990 Sloan
 4,995,509 A 2/1991 Kornfeind
 5,022,559 A 6/1991 Condon
 5,246,046 A 9/1993 Schramm
 5,311,632 A 5/1994 Center
 5,495,876 A 3/1996 Schramm
 5,501,340 A 3/1996 Stafford
 D377,867 S 2/1997 Berghash et al.
 RE36,131 E 3/1999 Schramm
 5,908,057 A 6/1999 Schramm
 6,082,999 A 7/2000 Tcherny et al.
 6,243,906 B1 6/2001 Holliday et al.
 6,280,112 B1 8/2001 Vieu
 D453,888 S 2/2002 Gottwald
 6,397,859 B1 6/2002 Byrd
 6,418,940 B1 7/2002 Tcherny et al.
 D470,661 S 2/2003 Zetsche
 6,530,707 B1 3/2003 Byrne et al.
 6,595,822 B1 7/2003 Thai
 6,638,131 B1 10/2003 Thai
 6,669,475 B2 * 12/2003 Kandelman A46B 7/04
 132/322
 6,702,113 B2 3/2004 Marino
 6,704,965 B2 3/2004 Ale et al.
 D499,811 S 12/2004 Nan
 6,857,928 B2 2/2005 Thai
 RE39,443 E 12/2006 Schramm
 7,244,161 B2 7/2007 Thai
 D563,069 S * 2/2008 Yovanovich D32/54
 7,399,133 B1 7/2008 Eversole
 D576,799 S * 9/2008 Vezin D4/111
 D576,801 S 9/2008 Dretzka
 7,524,230 B2 4/2009 Thai
 D592,404 S 5/2009 Toeffler et al.
 7,967,519 B2 6/2011 Gueret
 RE42,610 E 8/2011 Schramm

D669,981 S 10/2012 Ruiz et al.
 8,506,192 B2 8/2013 Allbritton
 8,632,268 B2 1/2014 Kemp
 D709,713 S 7/2014 Yang et al.
 D720,137 S 12/2014 Schuler
 8,932,522 B2 1/2015 Duncan
 D736,907 S 8/2015 McCracken et al.
 D741,068 S 10/2015 Frazier
 D749,919 S * 2/2016 Cianciolo D7/688
 D751,688 S * 3/2016 Daly D24/110
 D752,882 S 4/2016 Chang
 D774,775 S 12/2016 Buchholz
 D776,534 S 1/2017 Stratton
 D784,024 S 4/2017 Jun
 D792,214 S * 7/2017 Kerill D9/442
 9,810,575 B2 * 11/2017 Lance G01J 3/463
 D804,770 S 12/2017 Zoubovsky
 D808,431 S * 1/2018 Tseng D15/5
 D808,660 S * 1/2018 Kresge D4/128
 D812,913 S 3/2018 Way
 D825,885 S 8/2018 Falcone
 D825,932 S * 8/2018 Jun D4/128
 D828,082 S * 9/2018 Ramos D7/381
 D835,383 S 12/2018 Petersen
 D860,654 S * 9/2019 Bram D4/128
 D862,087 S * 10/2019 Ma D4/100
 D864,576 S * 10/2019 Cagle D4/101
 D874,153 S * 2/2020 Fowler D4/101
 2001/0035413 A1 11/2001 Thai
 2002/0138931 A1 * 10/2002 Davies A46B 5/02
 15/167.1
 2004/0129580 A1 7/2004 Cochran et al.
 2004/0211683 A1 10/2004 Barham et al.
 2007/0277339 A1 12/2007 Barsheshet
 2008/0245681 A1 10/2008 Healix
 2013/0074867 A1 3/2013 Leung
 2014/0137352 A1 5/2014 Golla et al.
 2017/0311707 A1 11/2017 Beck et al.
 2018/0055184 A1 3/2018 McVeigh et al.
 2018/0055187 A1 3/2018 Galligan
 2018/0132605 A1 5/2018 Fowler et al.
 2018/0289145 A1 10/2018 Cagle et al.

OTHER PUBLICATIONS

YouTube | Sage Self Oral Care Training, published on Oct. 23, 2019 by Stryker Sage, © 2020 YouTube, LLC, [online], [site visited Aug. 31, 2020]. Available from Internet, [frames 0:19-0:22] <URL: <https://www.youtube.com/watch?v=SDpc3lqxp0c&feature=youtu.be/>>.*
 International Search Report and Written Opinion for International Application No. PCT/US2017/061633, dated Apr. 6, 2018, 17 pages.
 Partial International Search Report for International Application No. PCT/US2017/061633, dated Feb. 12, 2018, 12 pages.

* cited by examiner

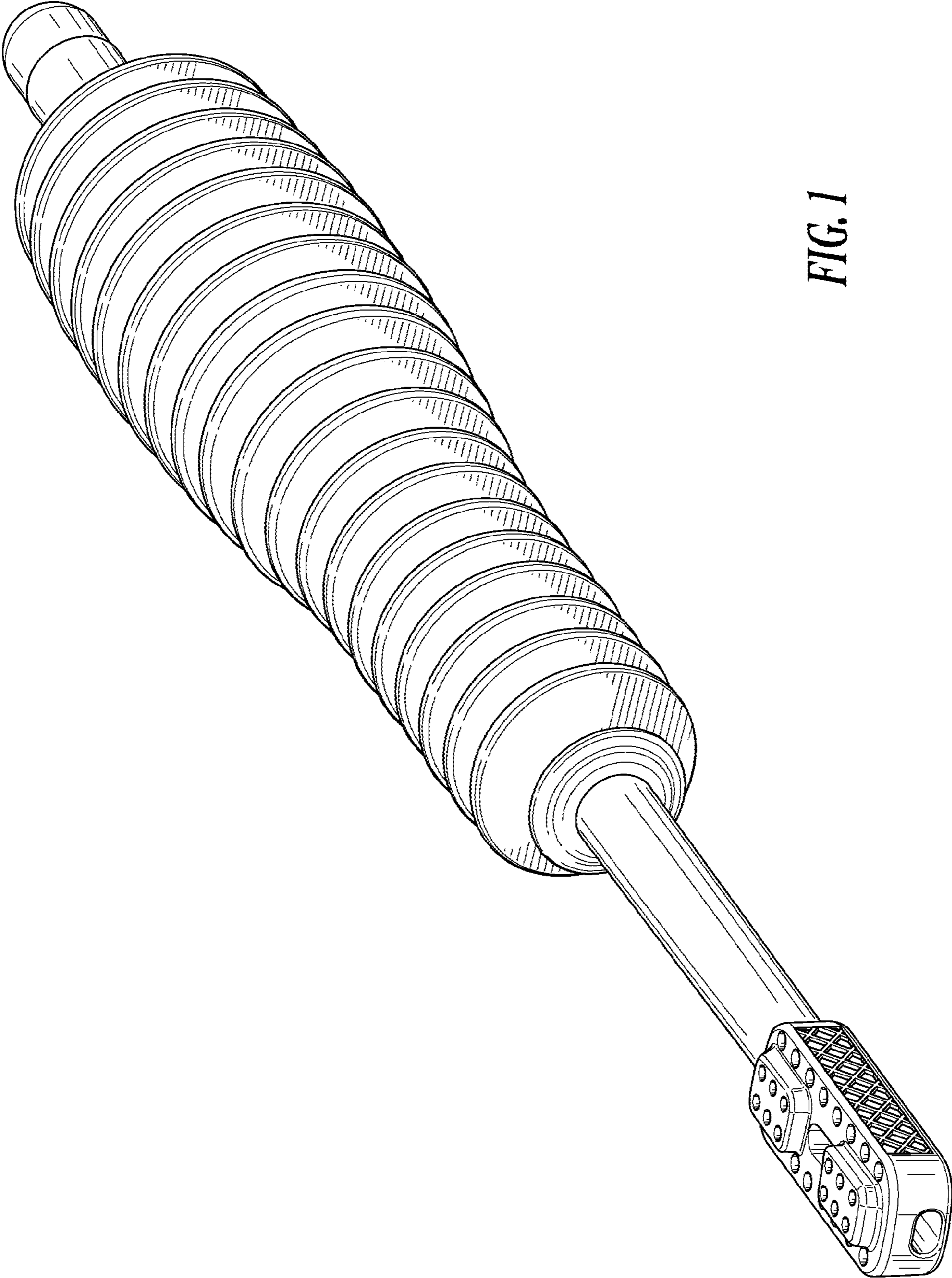


FIG. 1

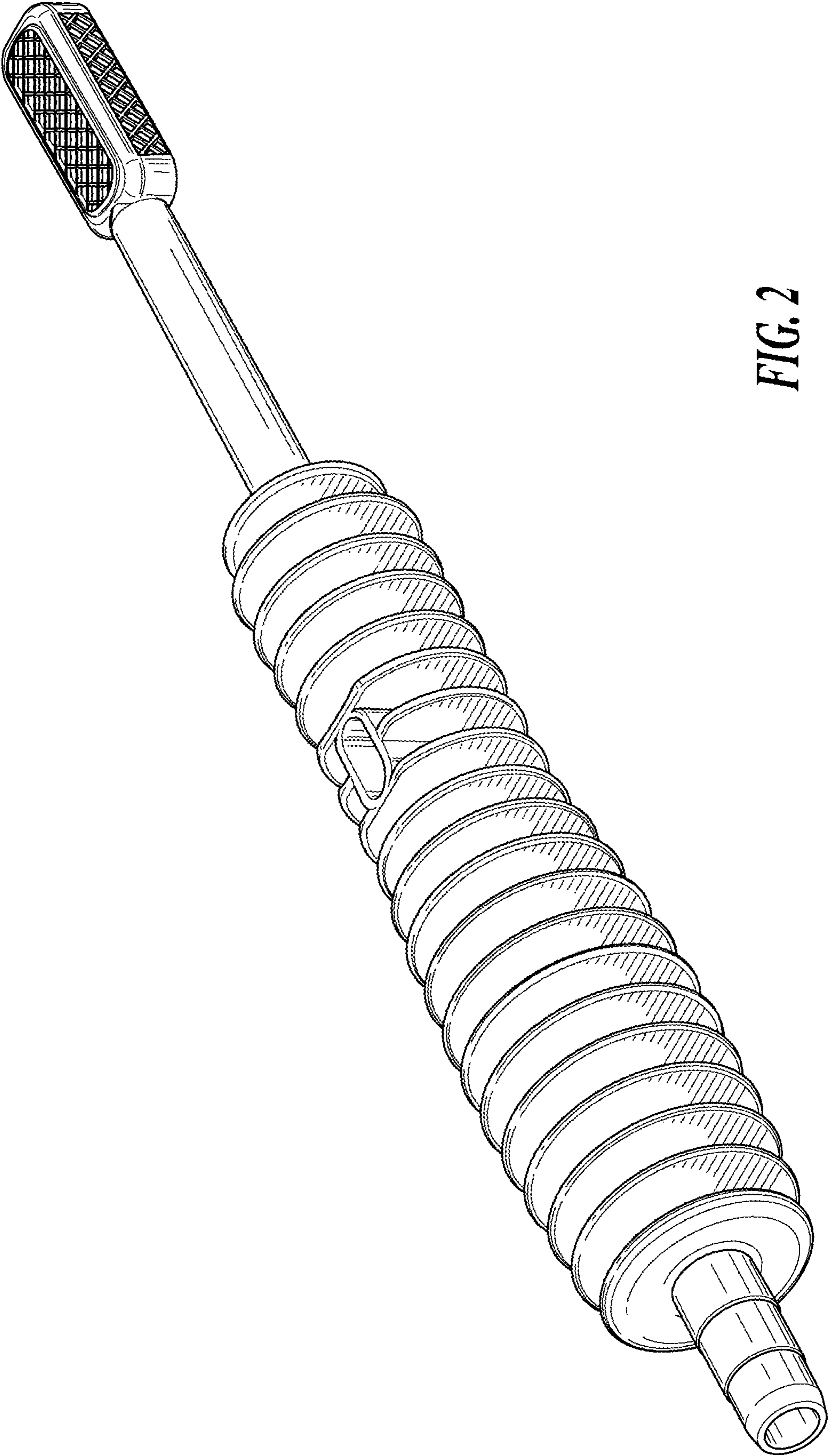


FIG. 2

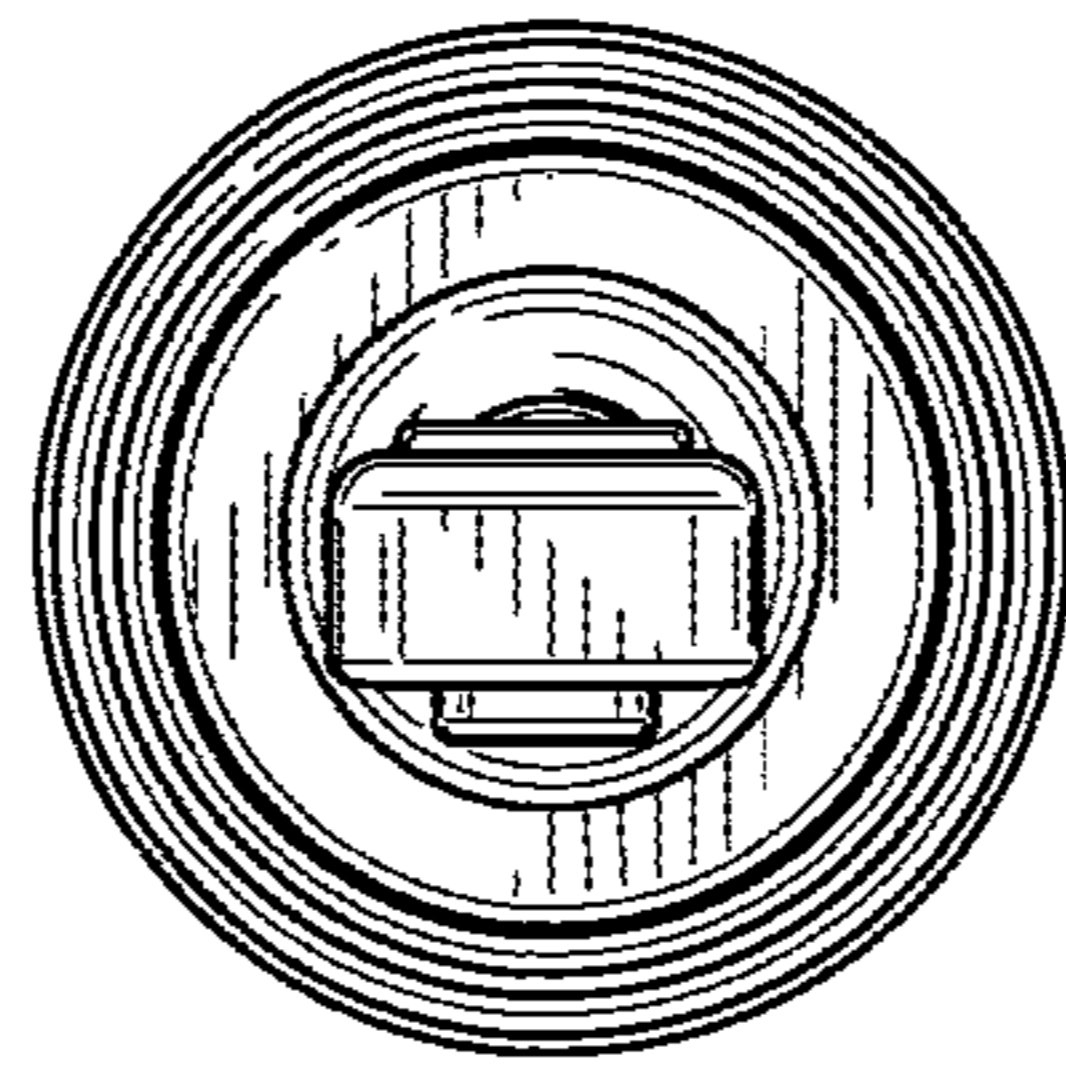


FIG. 3

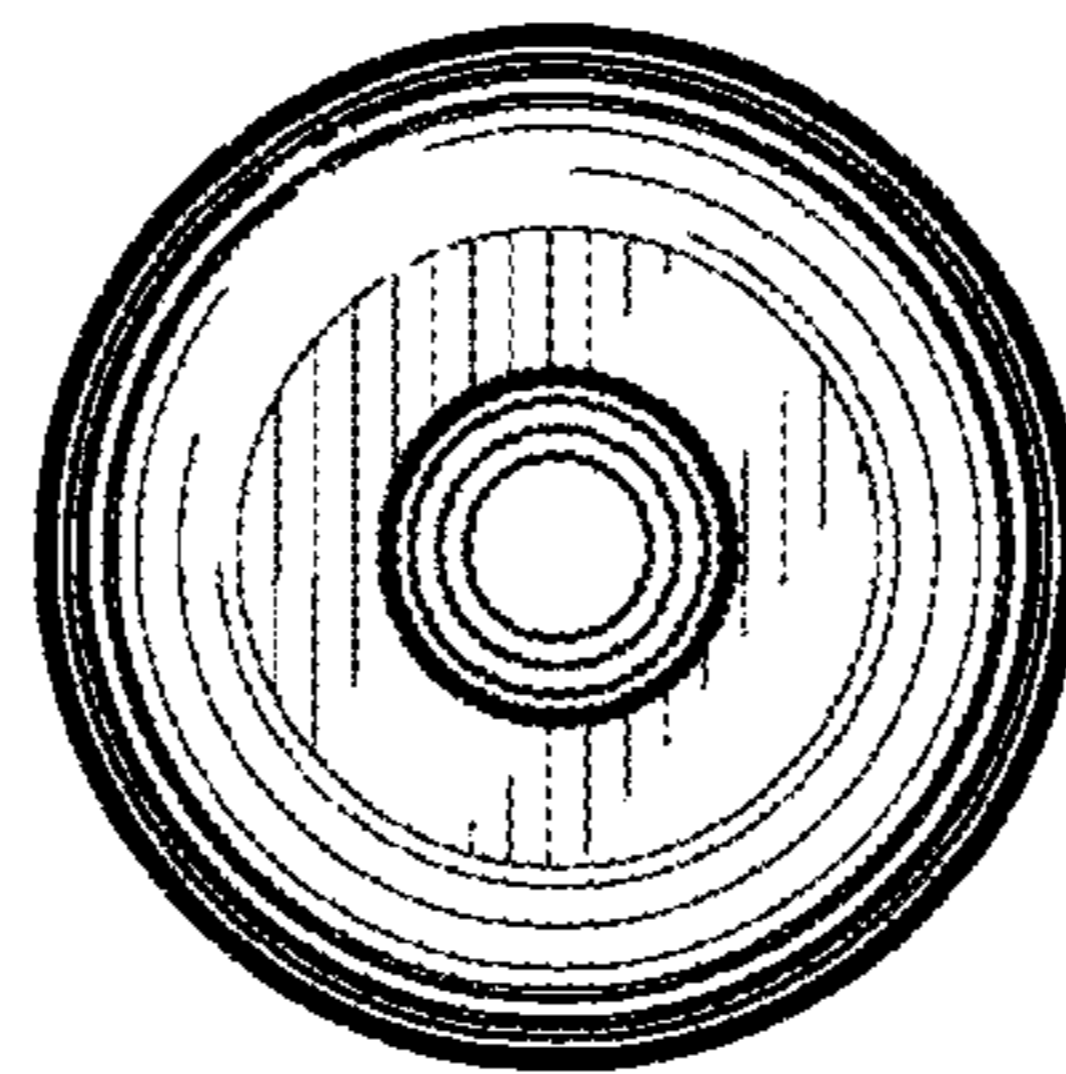


FIG. 4

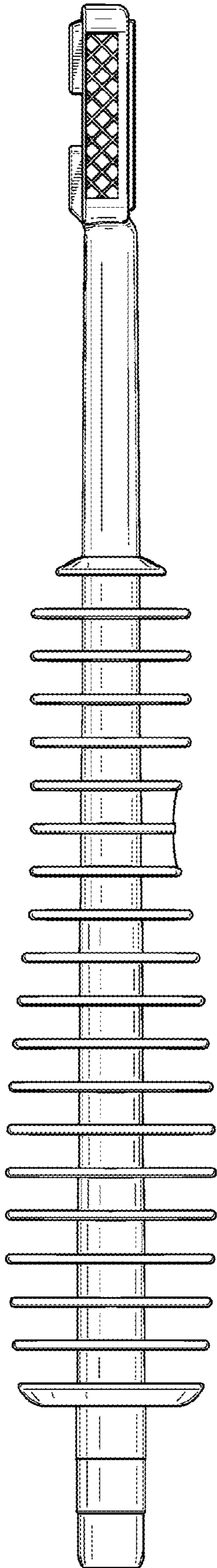


FIG. 5

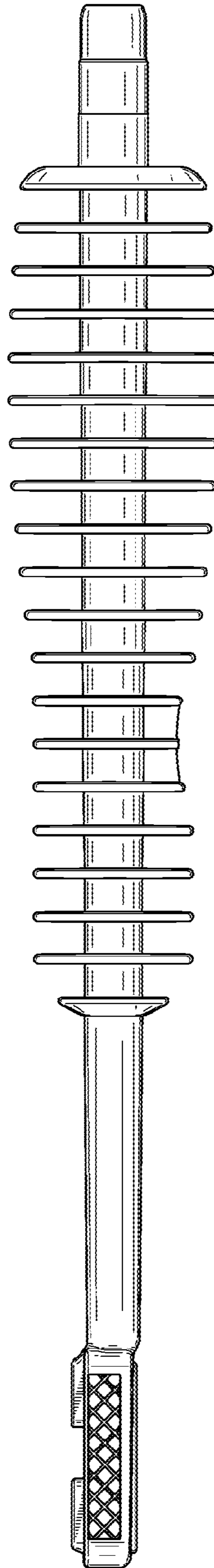


FIG. 6

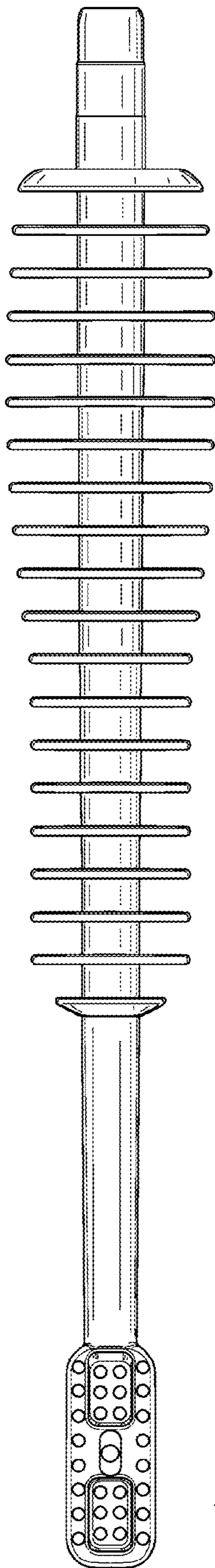


FIG. 7

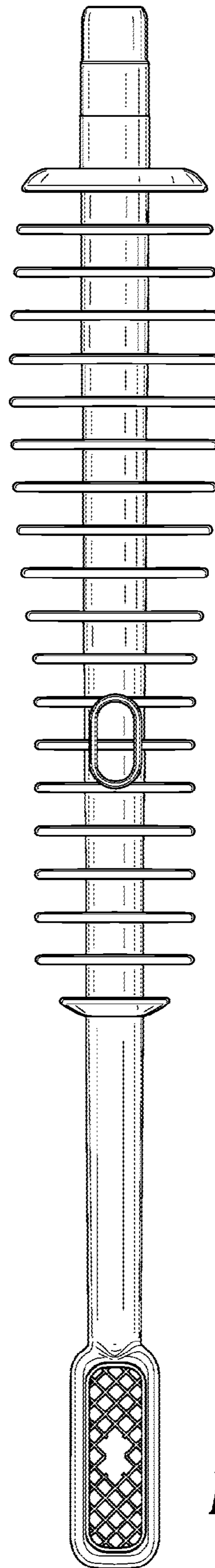


FIG. 8