



US00D912989S

(12) **United States Design Patent** (10) **Patent No.:** **US D912,989 S**
Albay et al. (45) **Date of Patent:** **** Mar. 16, 2021**

(54) **HANDLE FOR ELECTRIC TOOTHBRUSH**

(71) Applicant: **Braun GmbH**, Kronberg (DE)

(72) Inventors: **Devran Albay**, Frankfurt (DE); **Moritz Carlo Honisch**, Frankfurt (DE); **Dominik Langhammer**, Frankfurt (DE); **Peter Charles Mason, Jr.**, Maineville, OH (US)

(73) Assignee: **Braun GmbH**, Kronberg (DE)

(**) Term: **15 Years**

(21) Appl. No.: **29/687,962**

(22) Filed: **Apr. 17, 2019**

(30) **Foreign Application Priority Data**

Oct. 18, 2018 (WO) 9332401

(51) **LOC (13) Cl.** **28-03**

(52) **U.S. Cl.**
USPC **D4/101**

(58) **Field of Classification Search**
USPC D4/100, 101, 102, 104, 105, 106, 107,
D4/108, 109, 110, 111, 112, 113, 114,
D4/115, 116, 119, 130, 132, 133, 134,
D4/136, 137, 138, 199

CPC ... A46B 2200/1066; A46B 5/02; A61C 17/16;
A61C 17/22

See application file for complete search history.

(56) **References Cited**

U.S. PATENT DOCUMENTS

7,520,016 B2 * 4/2009 Kressner A46B 9/04
15/22.1
D749,851 S * 2/2016 Watkins D4/101

D801,696 S * 11/2017 McGarry D4/101
9,865,184 B2 * 1/2018 Jungnickel G09F 23/0075
D844,995 S * 4/2019 Wong D4/101
D861,351 S * 10/2019 Albay D4/101
D874,830 S * 2/2020 Choi D4/101
D884,351 S * 5/2020 Albay D4/101
D884,354 S * 5/2020 Albay D4/101
D890,528 S * 7/2020 Albay D4/101

FOREIGN PATENT DOCUMENTS

EM 003175470-0002 12/2016
EM 004362952-0001 3/2018

* cited by examiner

Primary Examiner — Karen E Eldridge Powers

(74) *Attorney, Agent, or Firm* — Vladimir Vitenberg

(57) **CLAIM**

The ornamental design for a handle for electric toothbrush, as shown and described.

DESCRIPTION

FIG. 1 is a perspective view of a handle for electric toothbrush;

FIG. 2 is a front elevation view thereof;

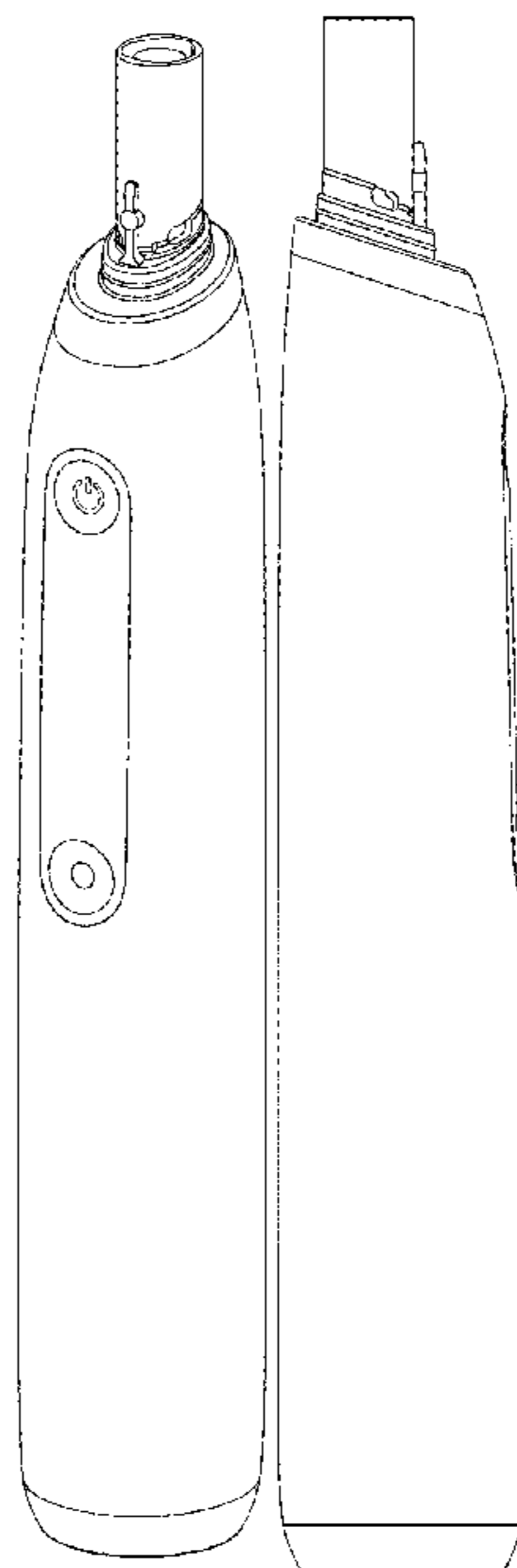
FIG. 3 is a right side elevation view thereof;

FIG. 4 is a rear elevation view thereof;

FIG. 5 is a left side elevation view thereof; and,

FIG. 6 is a top plan view thereof.

1 Claim, 3 Drawing Sheets



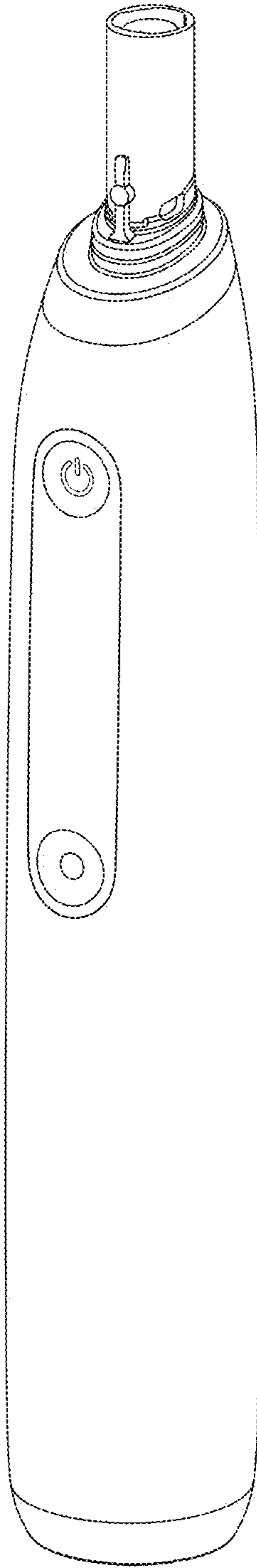


FIG. 1

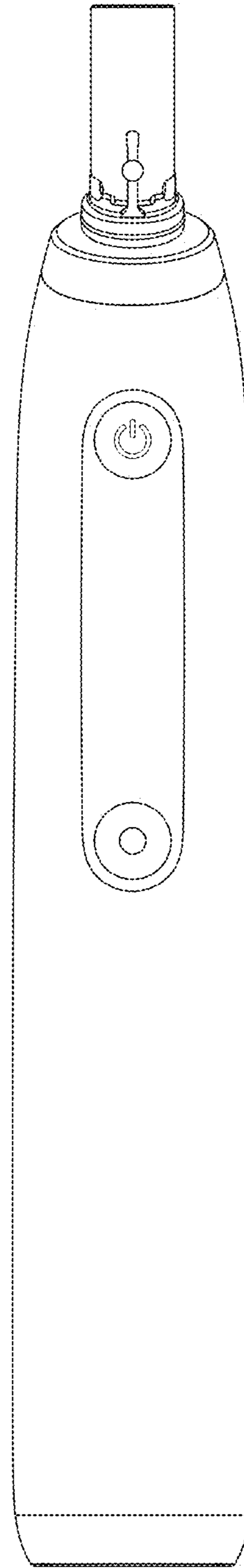


FIG. 2

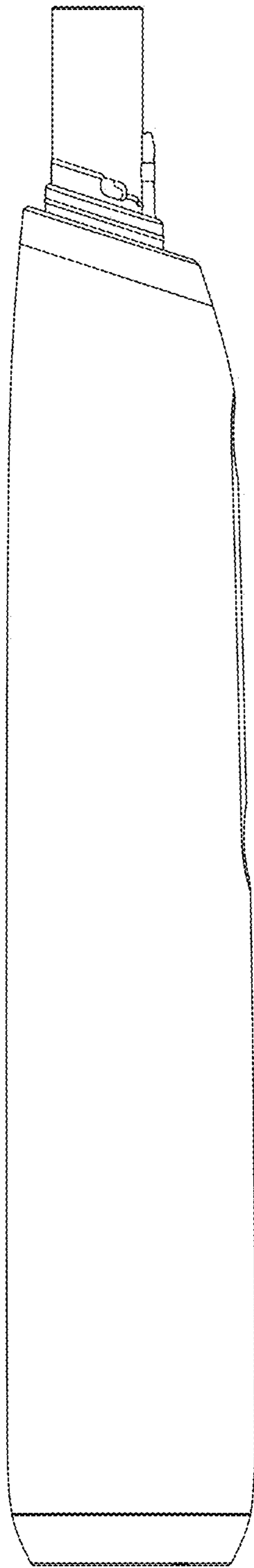


FIG. 3

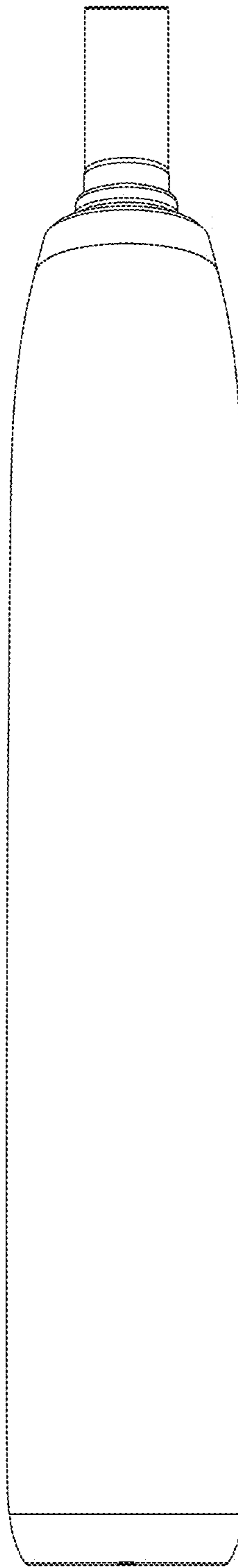


FIG. 4

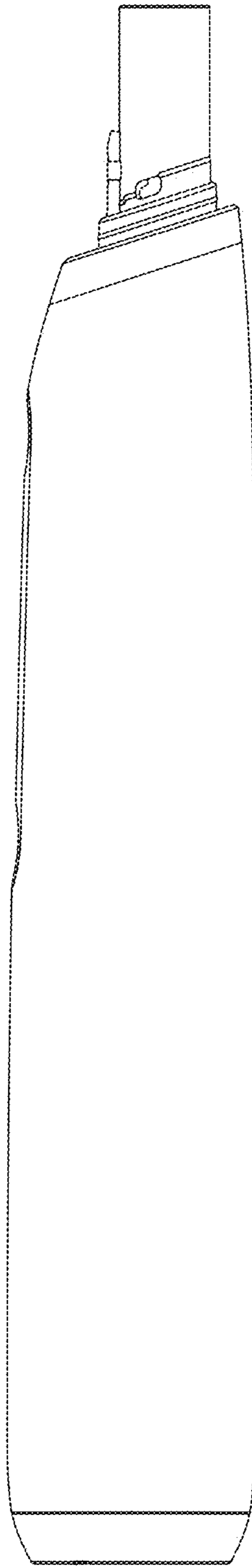


FIG. 5

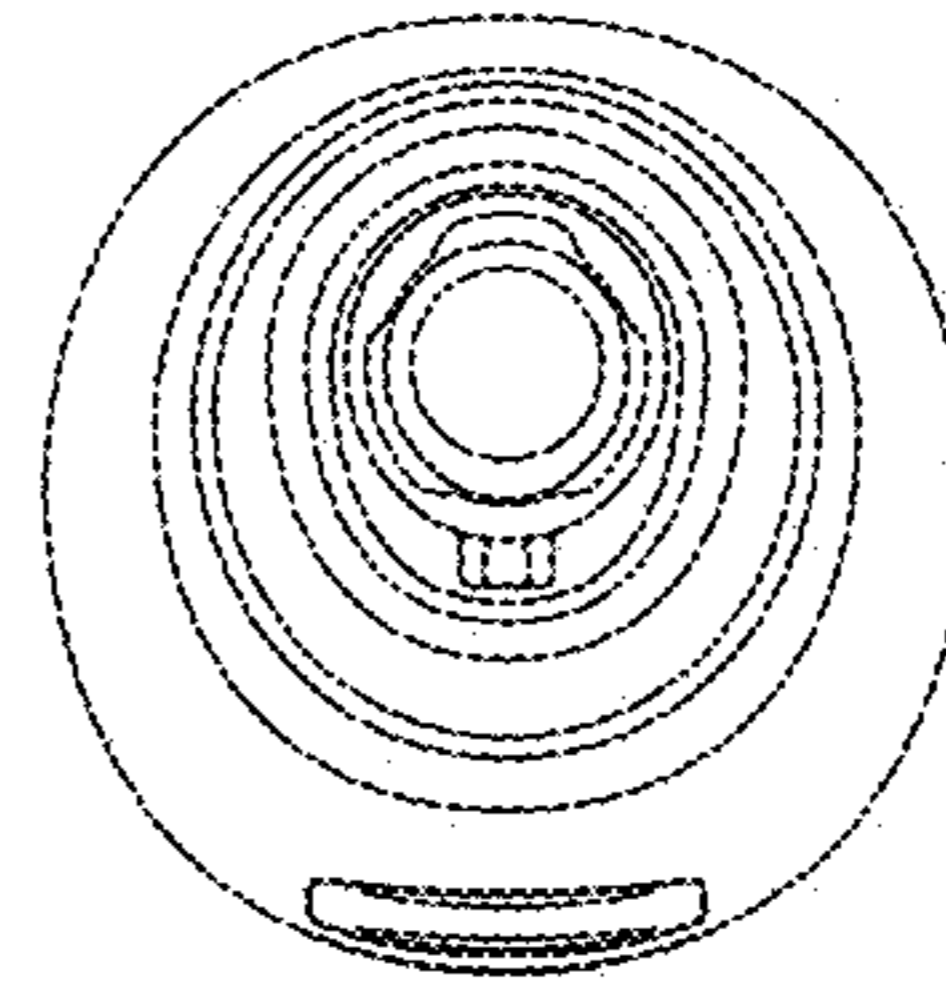


FIG. 6