



US00D912987S

(12) **United States Design Patent** (10) **Patent No.:** **US D912,987 S**
Chandra et al. (45) **Date of Patent:** **** Mar. 16, 2021**

(54) **HAIR STYLING APPARATUS HANDLE**

(71) Applicant: **Helen of Troy Limited**, St. Michael (BB)

(72) Inventors: **Aakriti Jojo Chandra**, Jersey City, NJ (US); **Mathieu Zastawny**, Jersey City, NJ (US); **William Fiebel**, Succasunna, NJ (US)

(73) Assignee: **Helen of Troy Limited**, St. Michael (BB)

(**) Term: **15 Years**

(21) Appl. No.: **29/735,631**

(22) Filed: **May 22, 2020**

(51) **LOC (13) Cl.** **28-03**

(52) **U.S. Cl.**
USPC **D4/100; D4/134; D4/138**

(58) **Field of Classification Search**
USPC D4/100, 102, 121, 127, 128, 129, 130, D4/132, 133, 134, 135, 136, 137, 138, D4/199; D28/13, 24, 28, 25
CPC .. A46B 5/02; A46B 9/005; A46B 9/02; A46B 9/023; A46B 9/06; A46B 15/0022; A46B 15/0024; A46B 15/003; A46B 5/0059; A46B 15/0075; A46B 2200/1093; A46B 2200/104; A45D 2/001; A45D 2/002; A45D 7/02; A45D 20/48
See application file for complete search history.

(56) **References Cited**

U.S. PATENT DOCUMENTS

D270,381 S 8/1983 Muller
D401,382 S * 11/1998 Seifert D28/13
D432,792 S 10/2000 Sivan
D609,857 S 2/2010 Schmitz
D771,310 S 11/2016 He
D787,834 S * 5/2017 Cheung D4/128

D804,188 S 12/2017 Du
D817,643 S * 5/2018 Valle D4/100
D826,567 S 8/2018 Yan
D831,357 S 10/2018 Lin
D838,989 S 1/2019 Yan
D852,416 S 6/2019 Coulton
D862,087 S * 10/2019 Ma D4/100
D885,765 S * 6/2020 Yuan D4/100
D895,294 S * 9/2020 Xie D4/100
D895,972 S * 9/2020 Janowick D4/100
D898,363 S * 10/2020 Gan D4/100
D899,781 S * 10/2020 Liang D4/100
D899,782 S * 10/2020 Yang D4/100

(Continued)

FOREIGN PATENT DOCUMENTS

CN 305664478 * 3/2020

Primary Examiner — Karen E Eldridge Powers
(74) *Attorney, Agent, or Firm* — Rankin, Hill & Clark LLP

(57) **CLAIM**

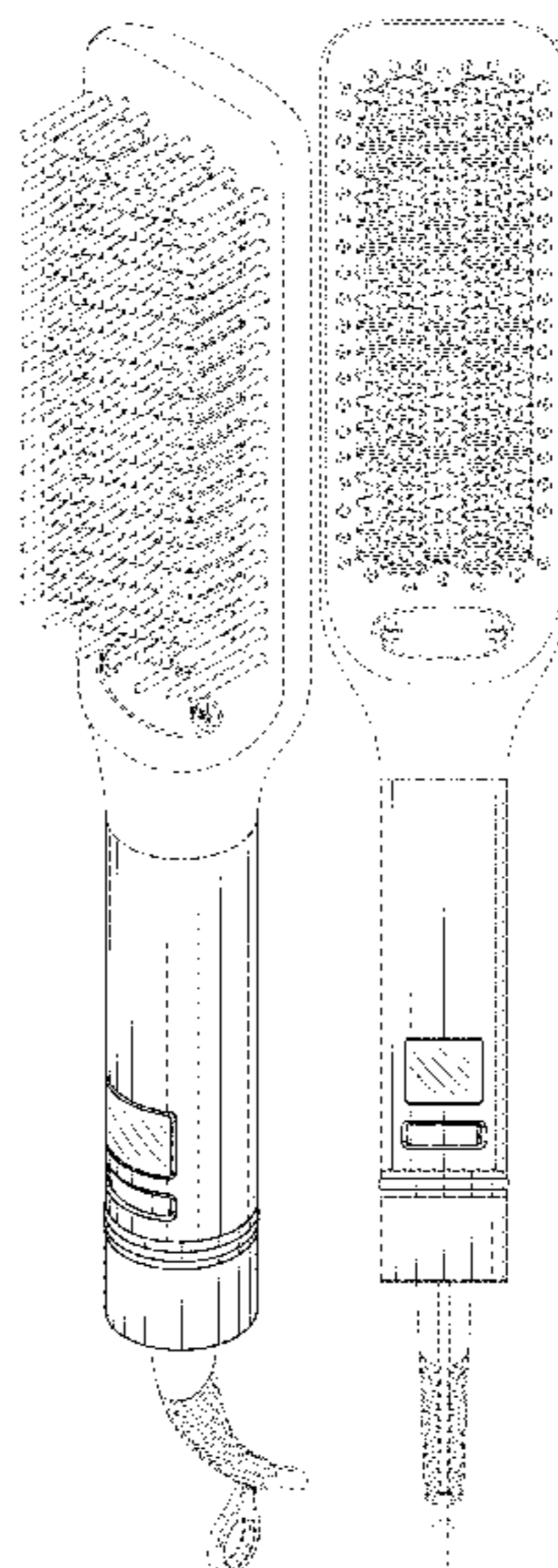
The ornamental design for a hair styling apparatus handle, as shown and described.

DESCRIPTION

FIG. 1 is a top, right side perspective view of a new, original and ornamental design for a hair styling apparatus handle; FIG. 2 is a top plan view of FIG. 1; FIG. 3 is a bottom plan view of FIG. 1; FIG. 4 is a left side elevation view of FIG. 1; FIG. 5 is a right side elevation view of FIG. 1; FIG. 6 is a rear elevation view of FIG. 1; and, FIG. 7 is a front elevation of FIG. 1.

The broken lines in the drawings depict portions of the hair styling apparatus handle that form no part of the claimed design. The broken lines in the drawings further depict a styling portion of a beauty tool and a power cord connected to the handle as environmental subject matter that form no part of the claimed design.

1 Claim, 4 Drawing Sheets



(56)

References Cited

U.S. PATENT DOCUMENTS

D901,899 S * 11/2020 Zhanye D4/102
D902,482 S * 11/2020 Koenemann D28/35
D904,032 S * 12/2020 Zeng D4/100
2020/0268136 A1 * 8/2020 Richmond A46B 9/025

* cited by examiner

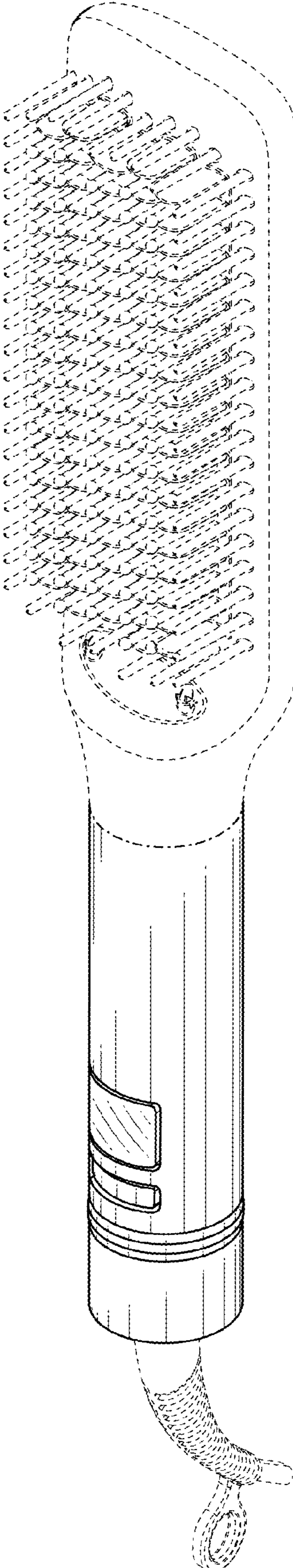


FIG. 1

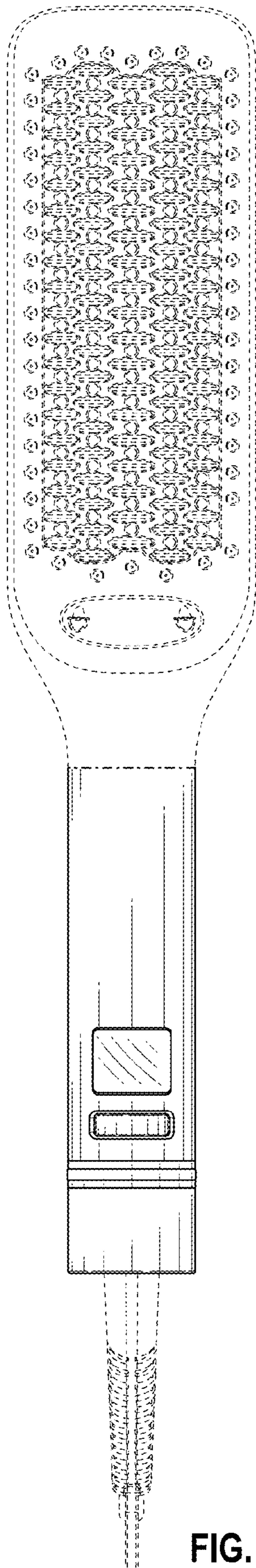


FIG. 2

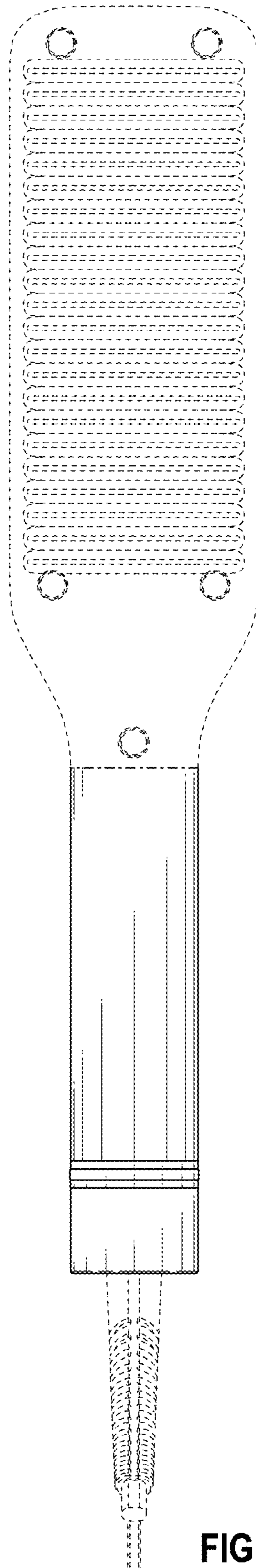
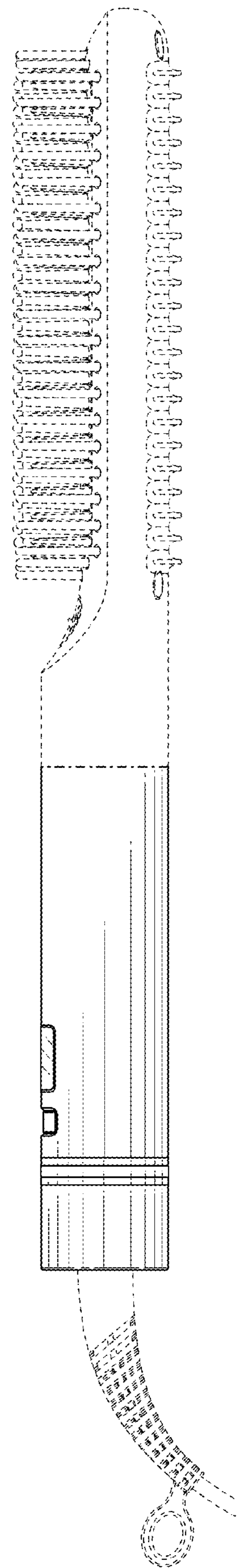
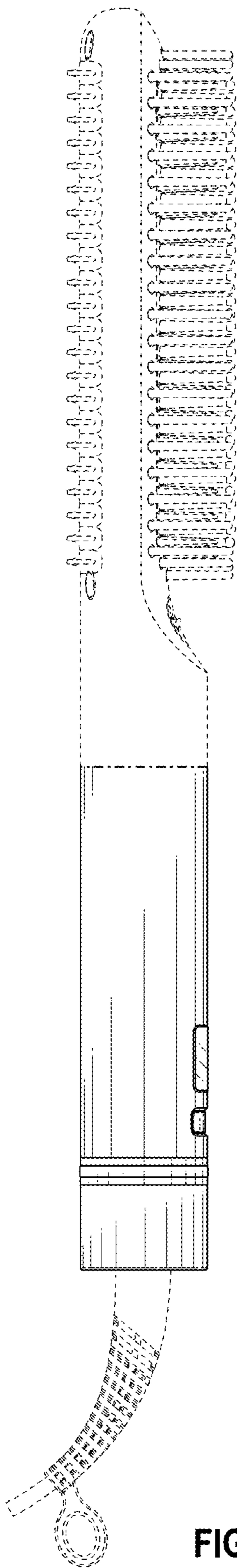


FIG. 3



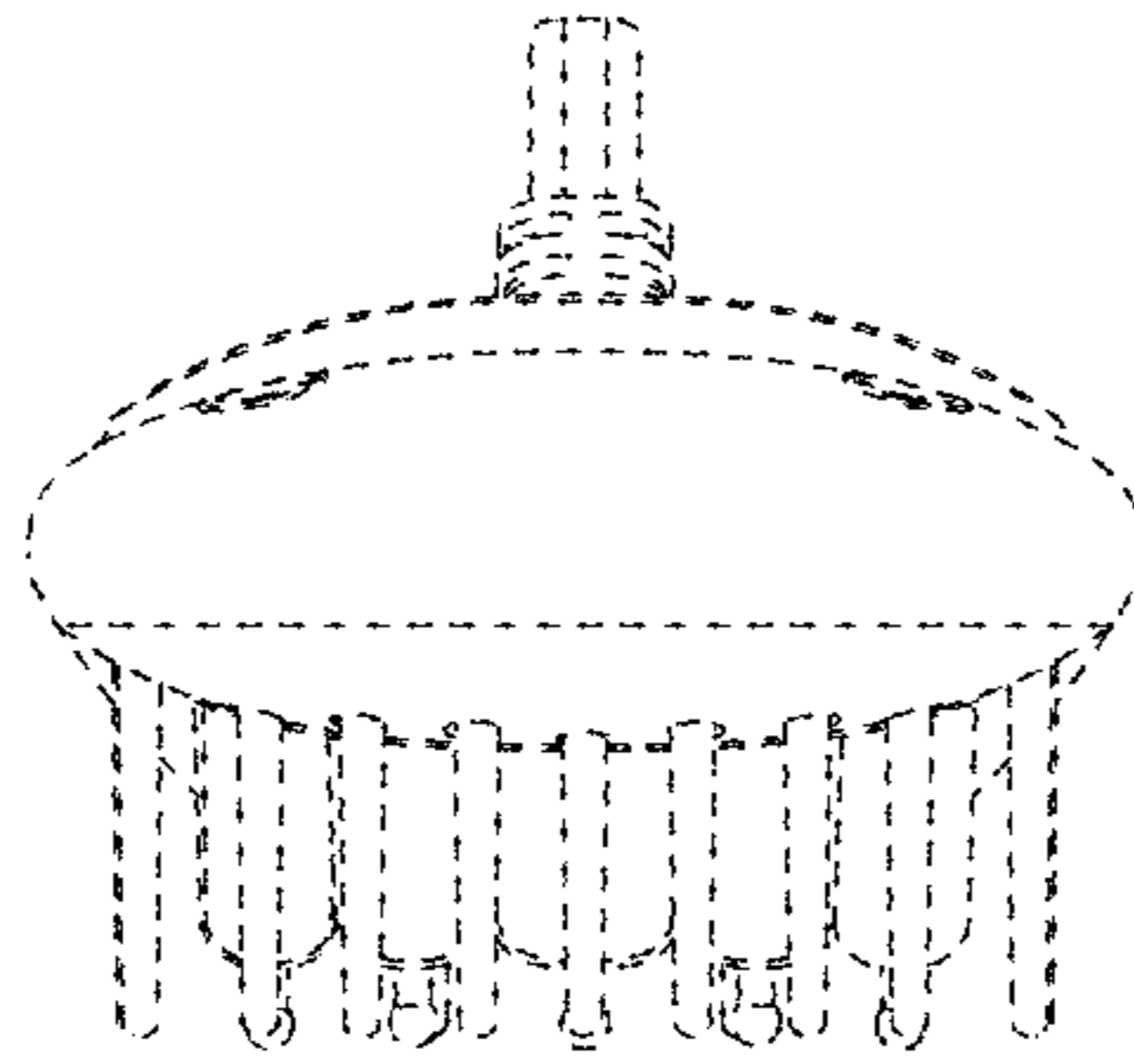


FIG. 6

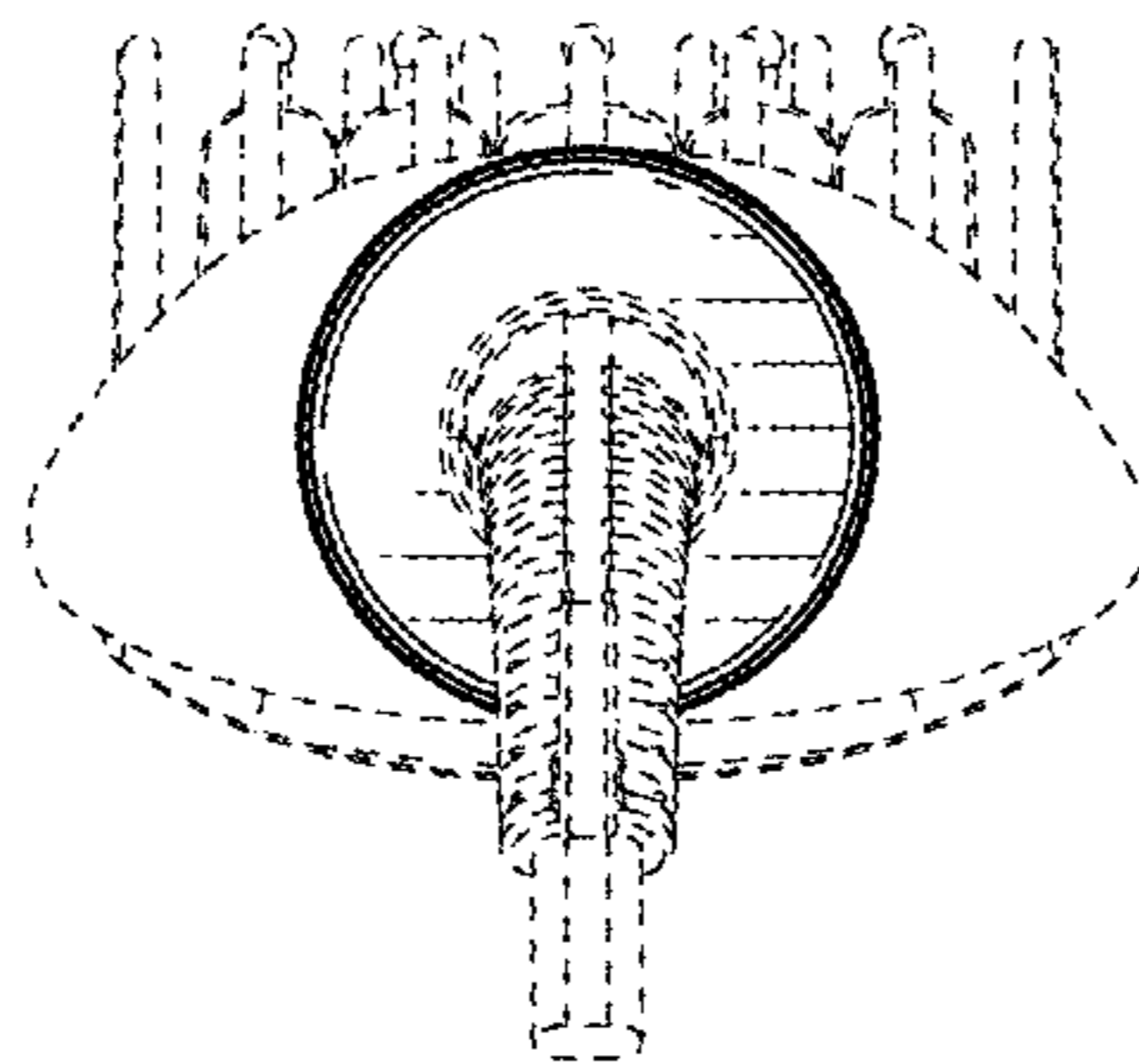


FIG. 7