



US00D912986S

(12) **United States Design Patent**
Liang

(10) **Patent No.:** **US D912,986 S**
(45) **Date of Patent:** **** Mar. 16, 2021**

(54) **ELECTRIC HAIR STYLING BRUSH**

(71) Applicant: **SHENZHEN CREATE FUTURE INTERNATIONAL TRADING COMPANY, Shenzhen (CN)**

(72) Inventor: **Tingting Liang, Nanyang (CN)**

(73) Assignee: **SHENZHEN CREATE FUTURE INTERNATIONAL TRADING COMPANY, Shenzhen (CN)**

(**) Term: **15 Years**

(21) Appl. No.: **29/720,689**

(22) Filed: **Jan. 15, 2020**

(51) **LOC (13) Cl.** **28-03**

(52) **U.S. Cl.**
USPC **D4/100; D4/134**

(58) **Field of Classification Search**
USPC D4/100, 102, 121, 127, 128, 129, 130, D4/132, 133, 134, 135, 136, 137, 138, D4/199; D28/13, 24, 28, 25
CPC .. A46B 5/02; A46B 9/005; A46B 9/02; A46B 9/023; A46B 9/06; A46B 15/0022; A46B 15/0024; A46B 15/003; A46B 5/0059; A46B 15/0075; A46B 2200/1093; A46B 2200/104; A45D 2/001; A45D 2/002; A45D 7/02; A45D 20/48

See application file for complete search history.

(56) **References Cited**

U.S. PATENT DOCUMENTS

D410,766 S * 6/1999 Rizzuto D28/35
D439,701 S * 3/2001 Engelen D28/13
6,363,215 B1 * 3/2002 Cafaro A45D 20/50
132/118
6,647,582 B1 * 11/2003 Rechelbacher A46B 5/026
15/143.1
D607,603 S * 1/2010 Schmitz D28/35

D648,893 S * 11/2011 Kaizuka D28/35
8,448,284 B2 * 5/2013 Gross A46B 5/02
15/143.1
D694,952 S * 12/2013 Choi D28/35
8,826,918 B2 * 9/2014 Hornbach A46B 15/0091
132/200
8,919,353 B2 * 12/2014 Richardson A46B 5/0095
132/237
D738,625 S * 9/2015 Julemont D4/102
9,198,499 B2 * 12/2015 Kim A46B 3/18
D800,454 S * 10/2017 Mathieu D4/102
10,098,433 B2 * 10/2018 Habibi A45D 20/48
(Continued)

OTHER PUBLICATIONS

Professional 2 In 1 HairStyler . . . [on-line], [Original publication date unknown.] [Retrieved from the Internet Jan. 16, 2021.] URL: ><https://www.aliexpress.com/item/32998574652.html?src=bing&albslr=228825682&isdl=y<> (Year: 2021).*

Primary Examiner — Karen E Eldridge Powers
(74) *Attorney, Agent, or Firm* — Li & Cai Intellectual Property (USA) Office

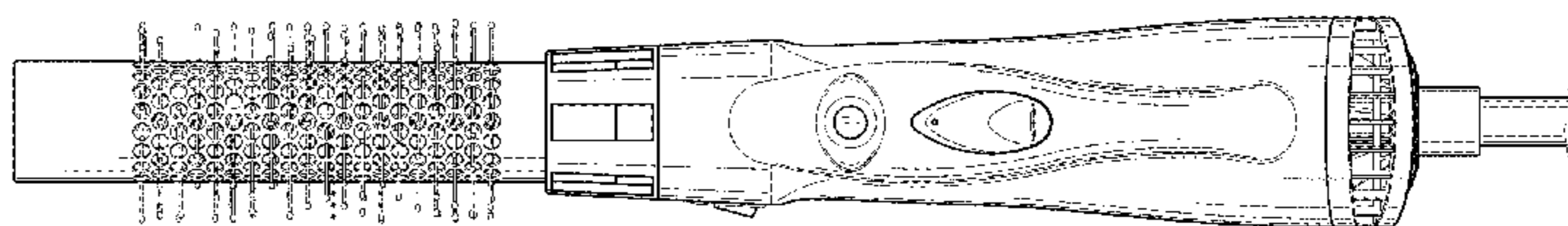
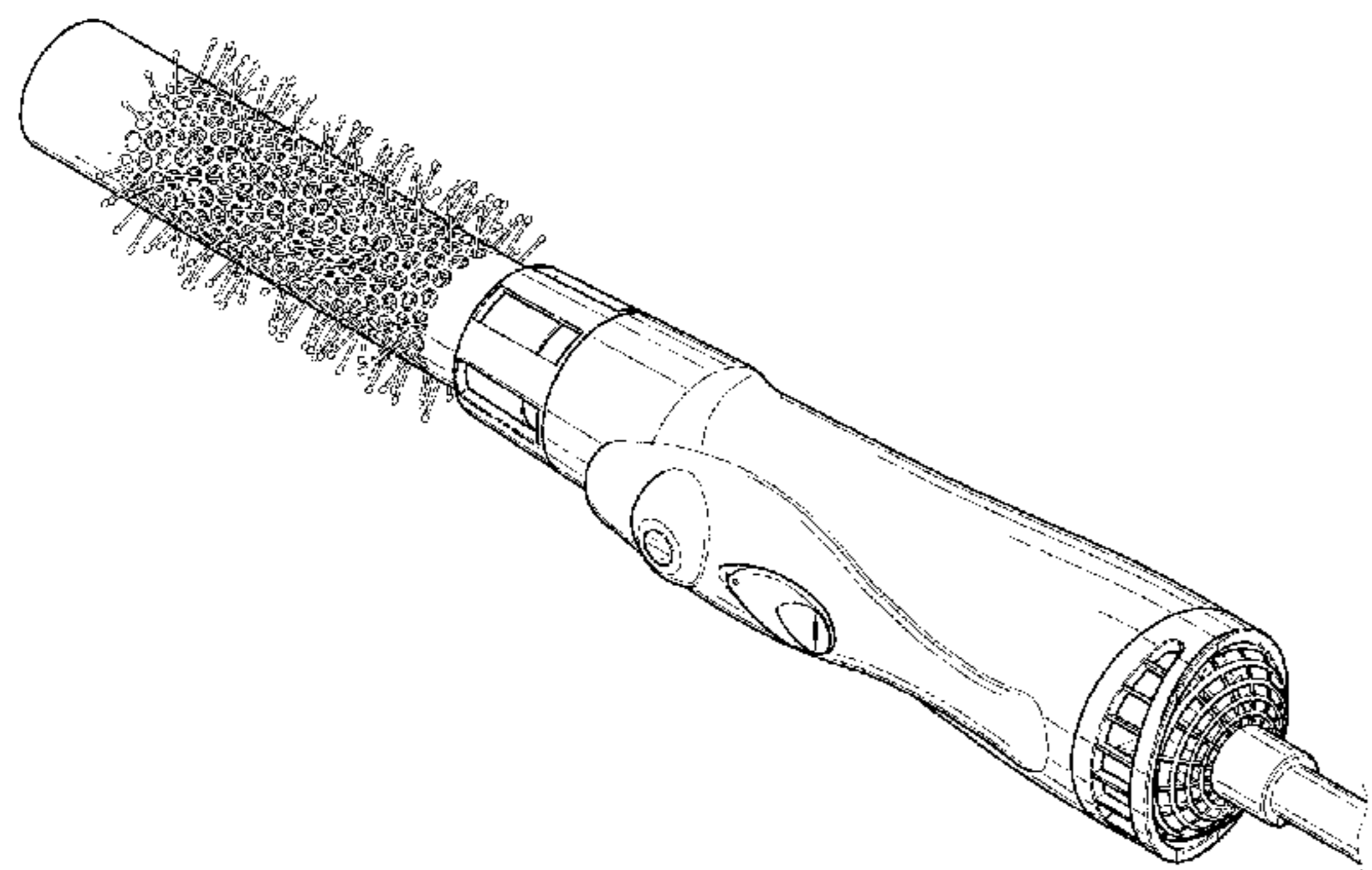
(57) **CLAIM**

The ornamental design for a electric hair styling brush, as shown and described.

DESCRIPTION

FIG. 1 is a front, top and right perspective view of a electric hair styling brush showing my new design; FIG. 2 is a front elevational view thereof; FIG. 3 is a rear elevational view thereof; FIG. 4 is a left side elevational view thereof; FIG. 5 is a right side elevational view thereof; FIG. 6 is a top plan view thereof; and, FIG. 7 is a bottom plan view thereof. The broken lines depict portions of the electric hair styling brush in which the design is embodied that forms no part of the claimed design.

1 Claim, 6 Drawing Sheets



(56)

References Cited

U.S. PATENT DOCUMENTS

10,786,072 B1 * 9/2020 Robinson A46B 13/02
2018/0049533 A1 * 2/2018 Tang A46B 9/023

* cited by examiner

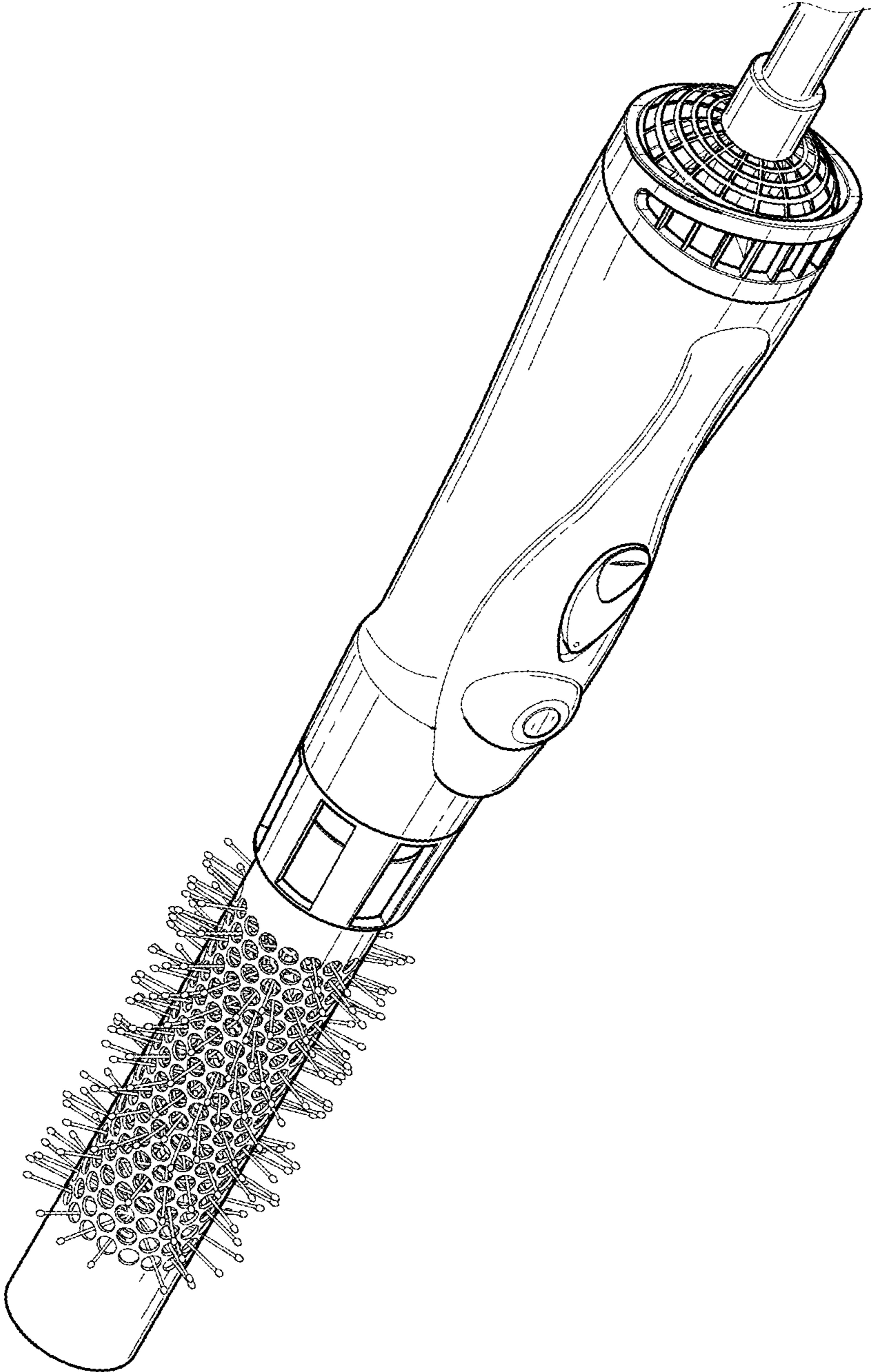


FIG. 1

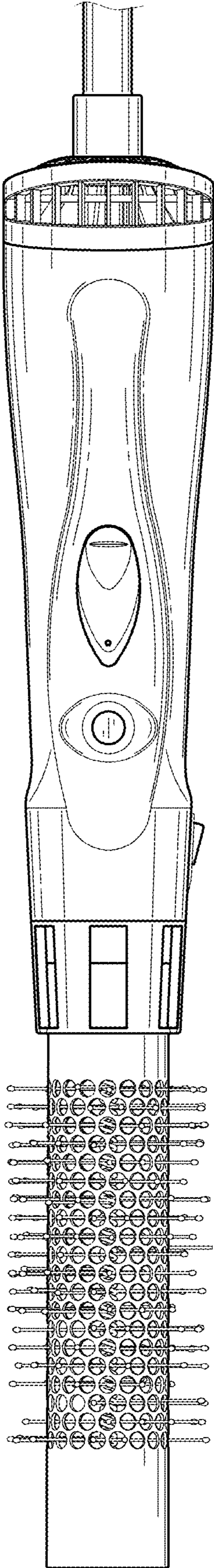


FIG. 2

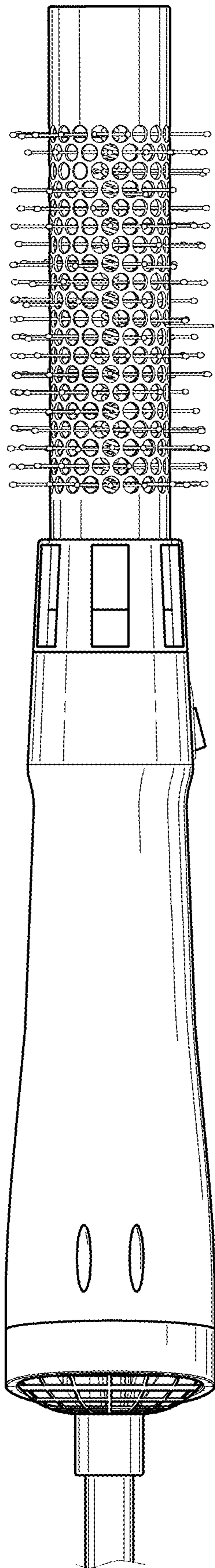


FIG. 3

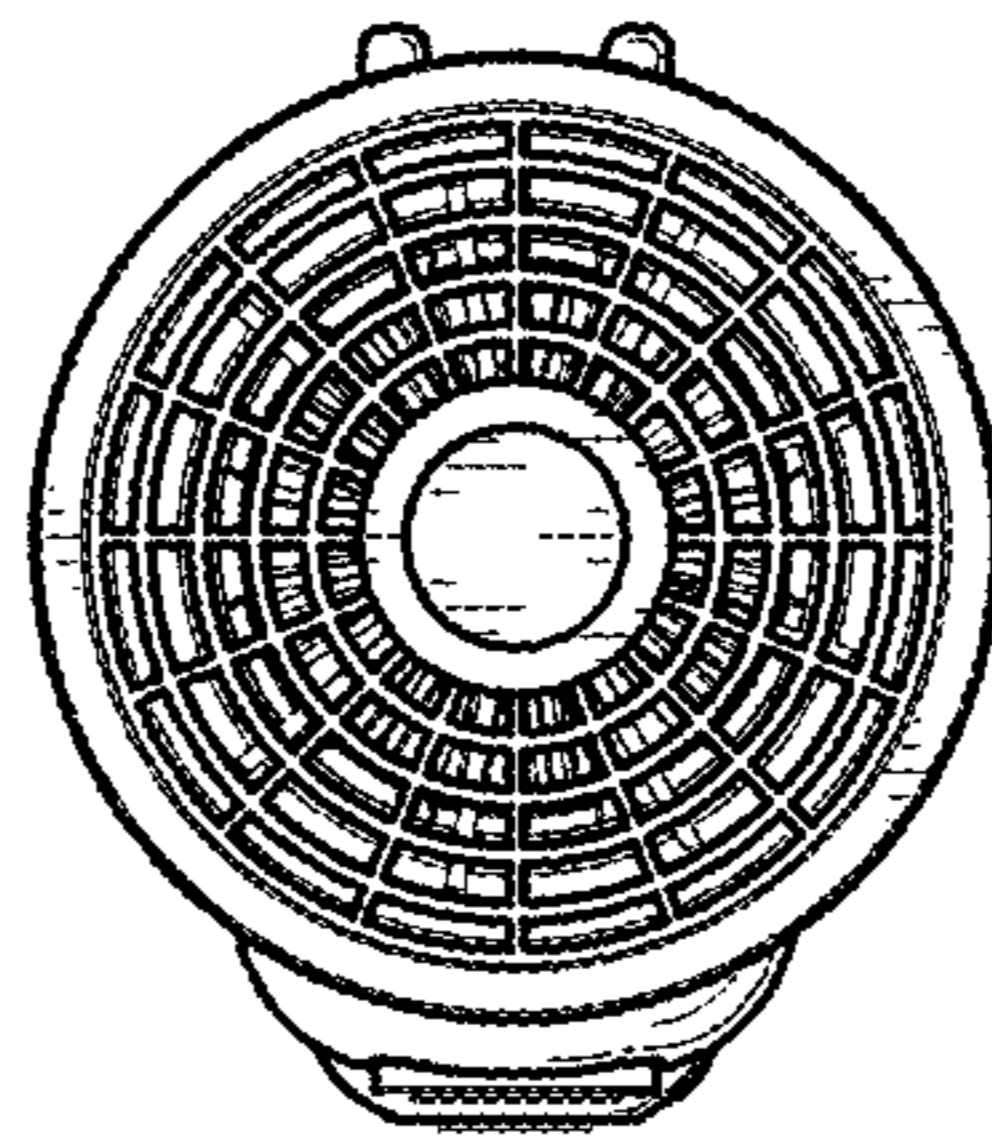


FIG. 5

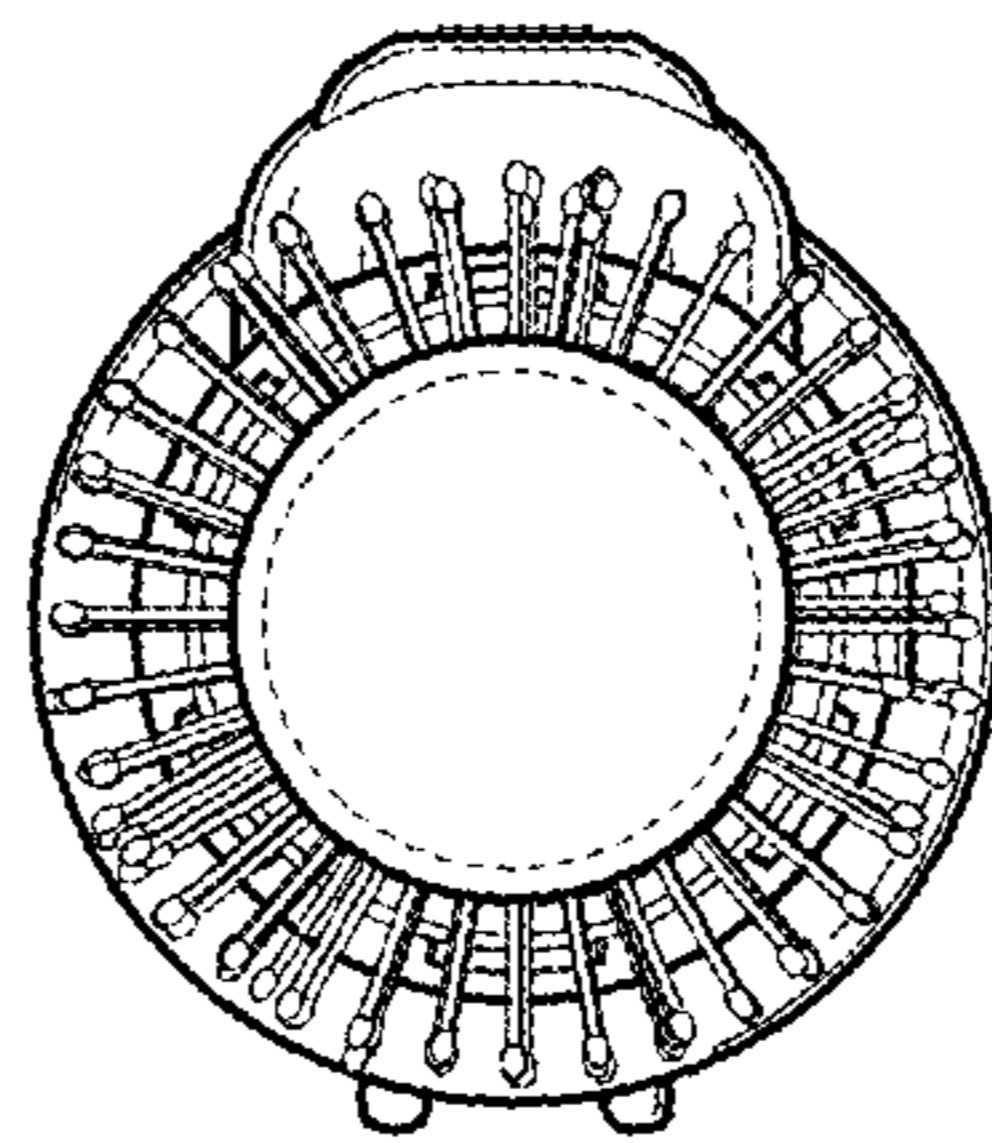


FIG. 4

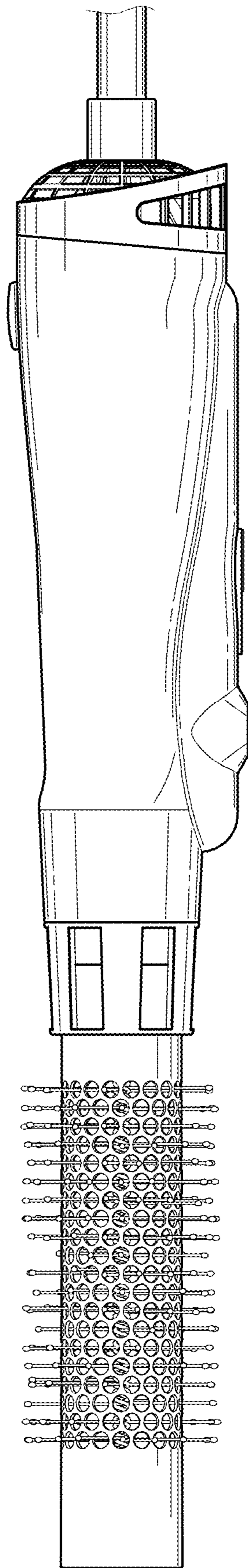


FIG. 6

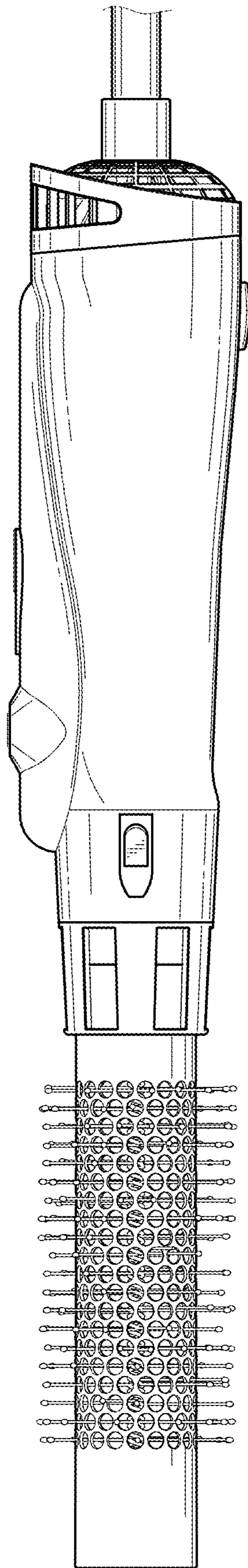


FIG. 7