



US00D912985S

(12) **United States Design Patent** (10) **Patent No.:** **US D912,985 S**
Kraemer (45) **Date of Patent:** **** *Mar. 16, 2021**

- (54) **BIN**
- (71) Applicant: **InterDesign, Inc**, Solon, OH (US)
- (72) Inventor: **Kevin Francis Kraemer**, Cuyahoga Falls, OH (US)
- (73) Assignee: **InterDesign, Inc.**, Solon, OH (US)
- (*) Notice: This patent is subject to a terminal disclaimer.
- (**) Term: **15 Years**
- (21) Appl. No.: **29/733,178**
- (22) Filed: **Apr. 30, 2020**

Related U.S. Application Data

- (60) Division of application No. 29/678,010, filed on Jan. 25, 2019, which is a continuation of application No. 29/638,819, filed on Mar. 1, 2018, now Pat. No. Des. 842,606, which is a continuation of application No. 29/546,621, filed on Nov. 24, 2015, now Pat. No. Des. 811,768, which is a continuation of application No. 29/423,096, filed on May 29, 2012, now Pat. No. Des. 746,643.
- (51) **LOC (13) Cl.** **09-04**
- (52) **U.S. Cl.**
USPC **D3/314; D3/304; D6/683**
- (58) **Field of Classification Search**
USPC D3/200–201, 203.1, 203.3, 205–206, D3/303–315; D32/37; D9/643–647, 703, D9/425–426, 432; D19/75, 77, 86, 90, D19/92, 100; 206/503–507, 510, 512, 206/564, 822; 220/607, 643, 659, 676, 220/657; 229/100, 406, 913–914; D6/683, 683.1, 705, 573, 574
CPC B65D 81/3813; B65D 21/00
See application file for complete search history.

- (56) **References Cited**
U.S. PATENT DOCUMENTS
3,813,256 A 5/1974 Feinberg
D231,771 S * 6/1974 Gary D3/312
D419,302 S * 1/2000 Hardy D19/75
D425,562 S * 5/2000 Conley D19/75
(Continued)

- OTHER PUBLICATIONS**
Amazon.com, IDesign Plastic Bin, Kitchen Storage Organizer for Refrigerator, Freezer and Pantry, 8"x8"x6" BPA-Free Medium Clear, Mar. 5, 2013, <https://www.amazon.com/InterDesign-Refrigerator-Freezer-Storage-Container/dp/B007EEE5HY/> (Year: 2013).*
(Continued)

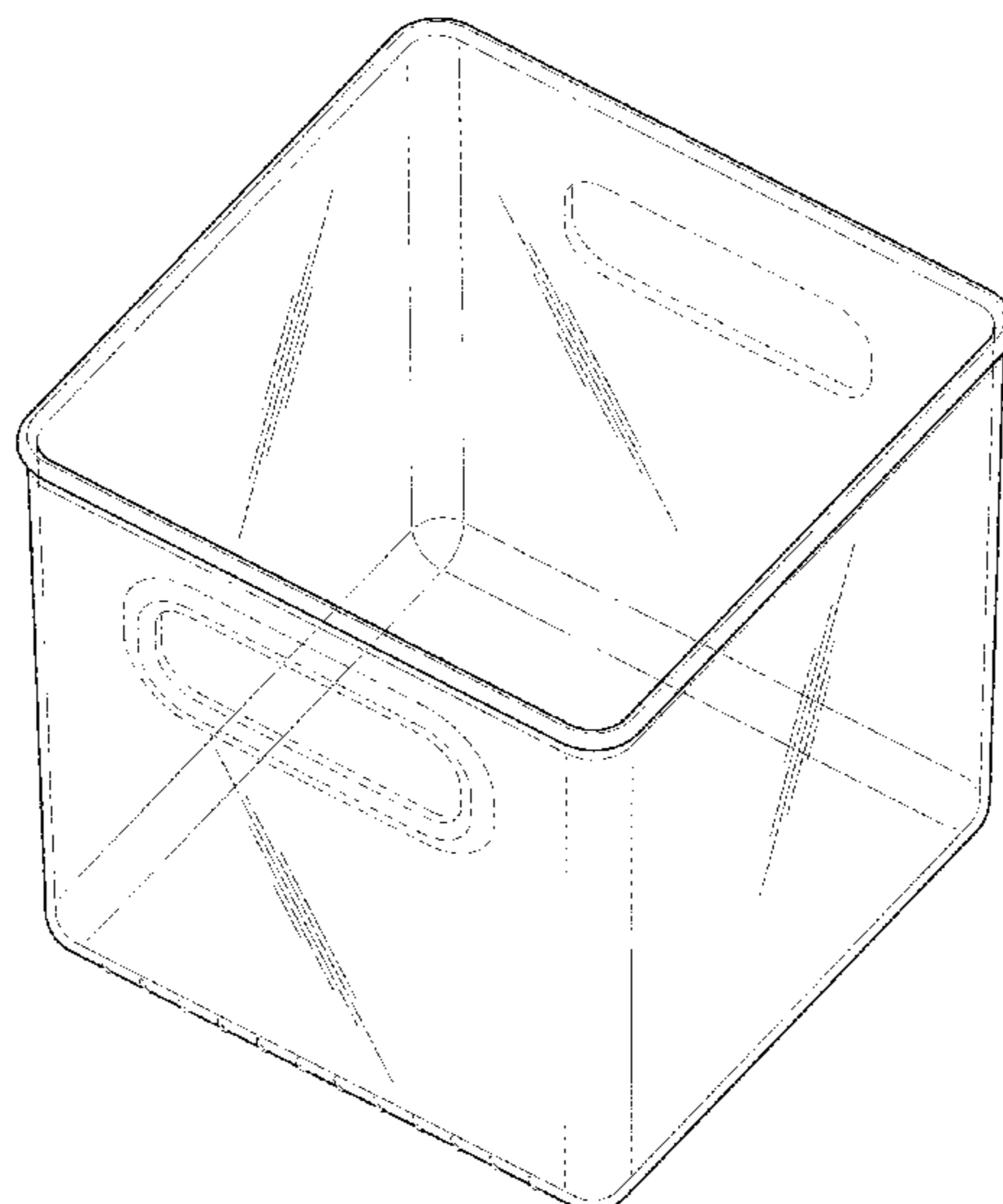
Primary Examiner — Nathan M Johnston
(74) *Attorney, Agent, or Firm* — Calfee, Halter & Griswold LLP

- (57) **CLAIM**
I claim the ornamental design for a bin, as shown and described.

DESCRIPTION

FIG. 1 is a front/right/top perspective view of a bin (a front/left/top perspective view would be a mirror image thereof);
FIG. 2 is a rear/left/bottom perspective view thereof (a rear/right/bottom perspective view would be a mirror image thereof);
FIG. 3 is a front elevational view thereof;
FIG. 4 is a rear elevational view thereof;
FIG. 5 is a right side elevational view thereof;
FIG. 6 is a top plan view thereof; and,
FIG. 7 is a bottom plan view thereof.
The broken lines immediately adjacent the shaded areas represent the bounds of the claimed design, and other broken lines depict portions of the bin that form no part of the claimed design.

1 Claim, 7 Drawing Sheets



(56)

References Cited

U.S. PATENT DOCUMENTS

D487,347	S	*	3/2004	Felsenthal	D3/305
D509,655	S		9/2005	Barnes		
D530,918	S		10/2006	Snell		
D542,033	S	*	5/2007	Kopenhaver	D3/305
D745,809	S		12/2015	Rowley		
D770,771	S	*	11/2016	Lisso	D3/304
D772,575	S		11/2016	Stelmarski		
D780,264	S	*	2/2017	Greenspon	D19/90
D809,797	S	*	2/2018	Kraemer	D3/307
D842,606	S	*	3/2019	Kraemer	D3/307
D862,994	S		10/2019	Kraemer		
D863,485	S	*	10/2019	Vannatta	D21/811
D866,973	S	*	11/2019	Snell	D3/314
D873,567	S		1/2020	Hardy		
D878,051	S	*	3/2020	Kraemer	D3/307
D887,141	S		6/2020	Mazor		
D888,429	S		6/2020	Vega		
D893,874	S	*	8/2020	Kraemer	D3/310

OTHER PUBLICATIONS

This case is related to U.S. Appl. No. 29/750,598, filed Sep. 15, 2020.

Notice of Allowance dated Sep. 23, 2020 in related U.S. Appl. No. 29/678,010, filed Jan. 25, 2019.

Idesign website, Bath Medium Bins 10"×4"×6", Aug. 13, 2020, <https://www.idesignlivesinnply.com/product/bath-medium>—cited by and provided by the USPTO in U.S. Appl. No. 29/678,010.

* cited by examiner

FIG. 1

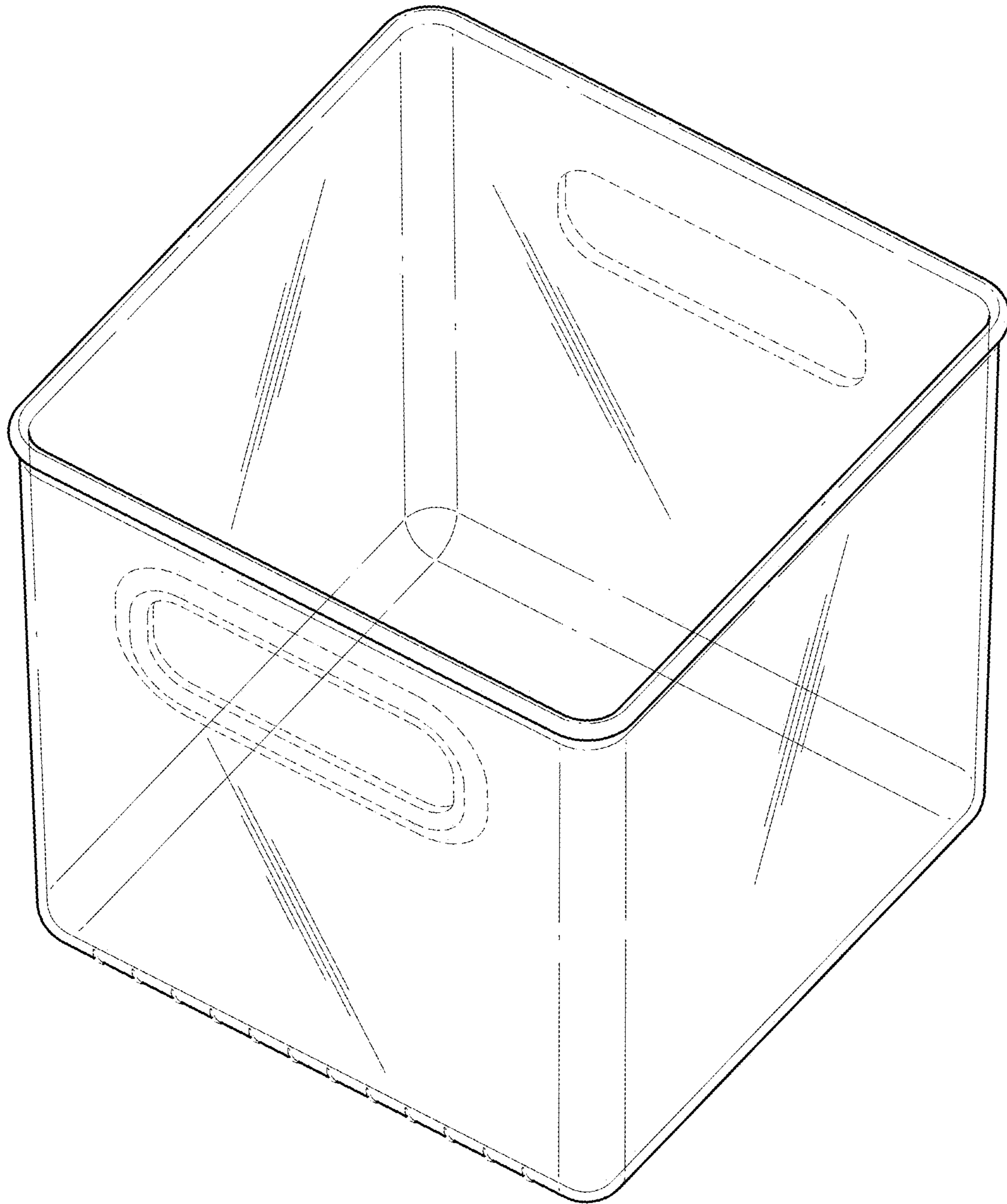


FIG. 2

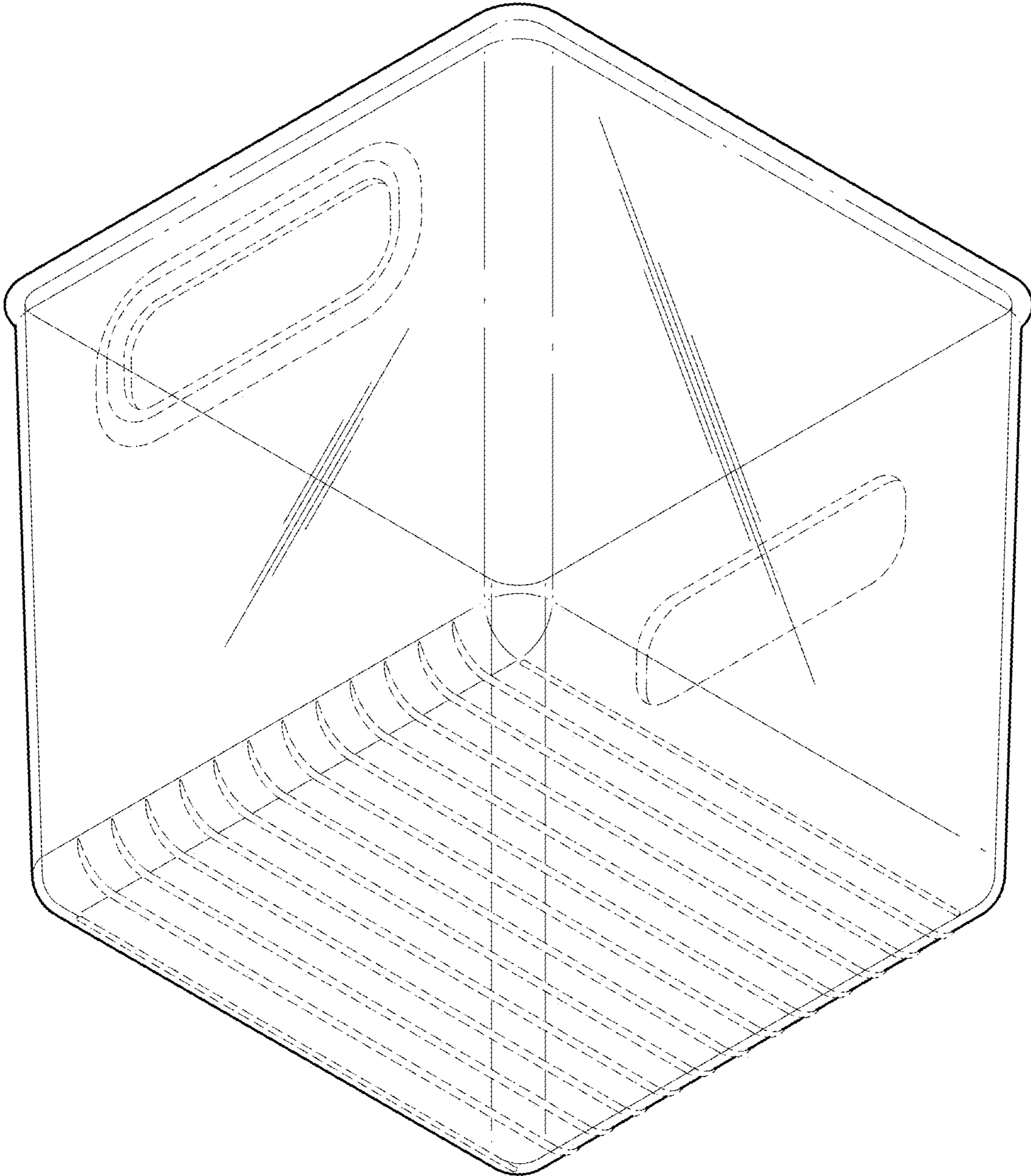


FIG. 3

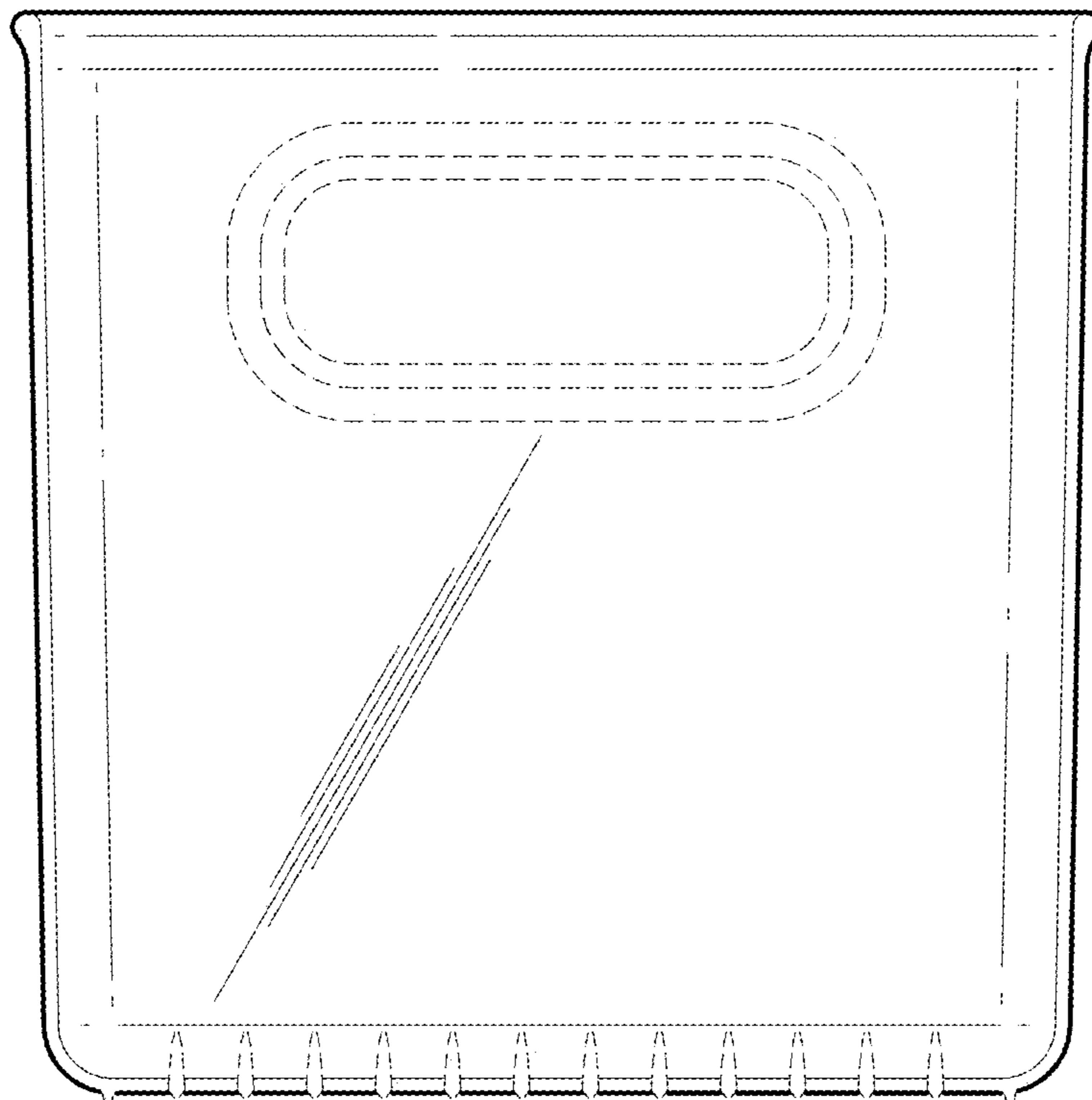


FIG. 4

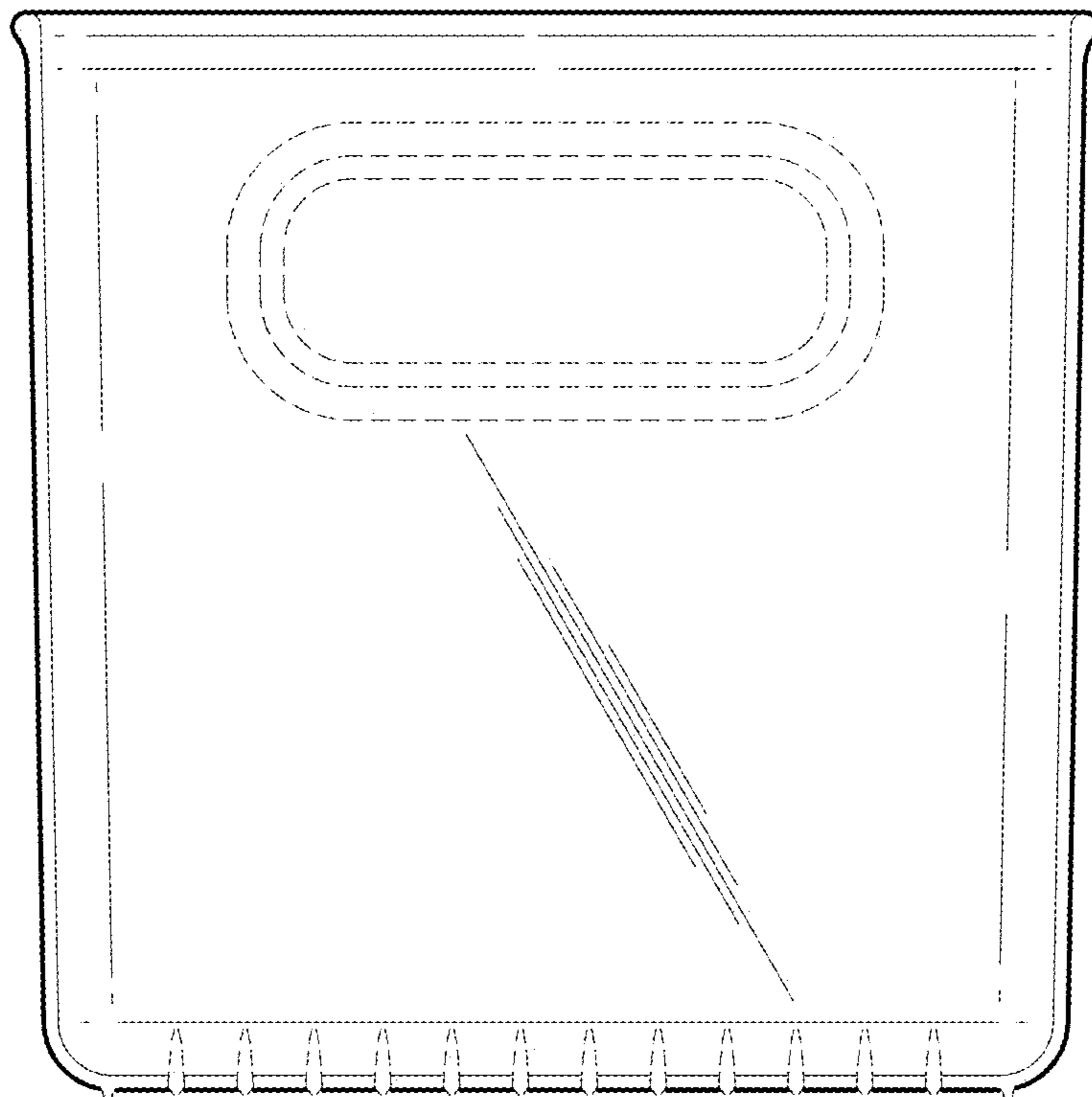


FIG. 5

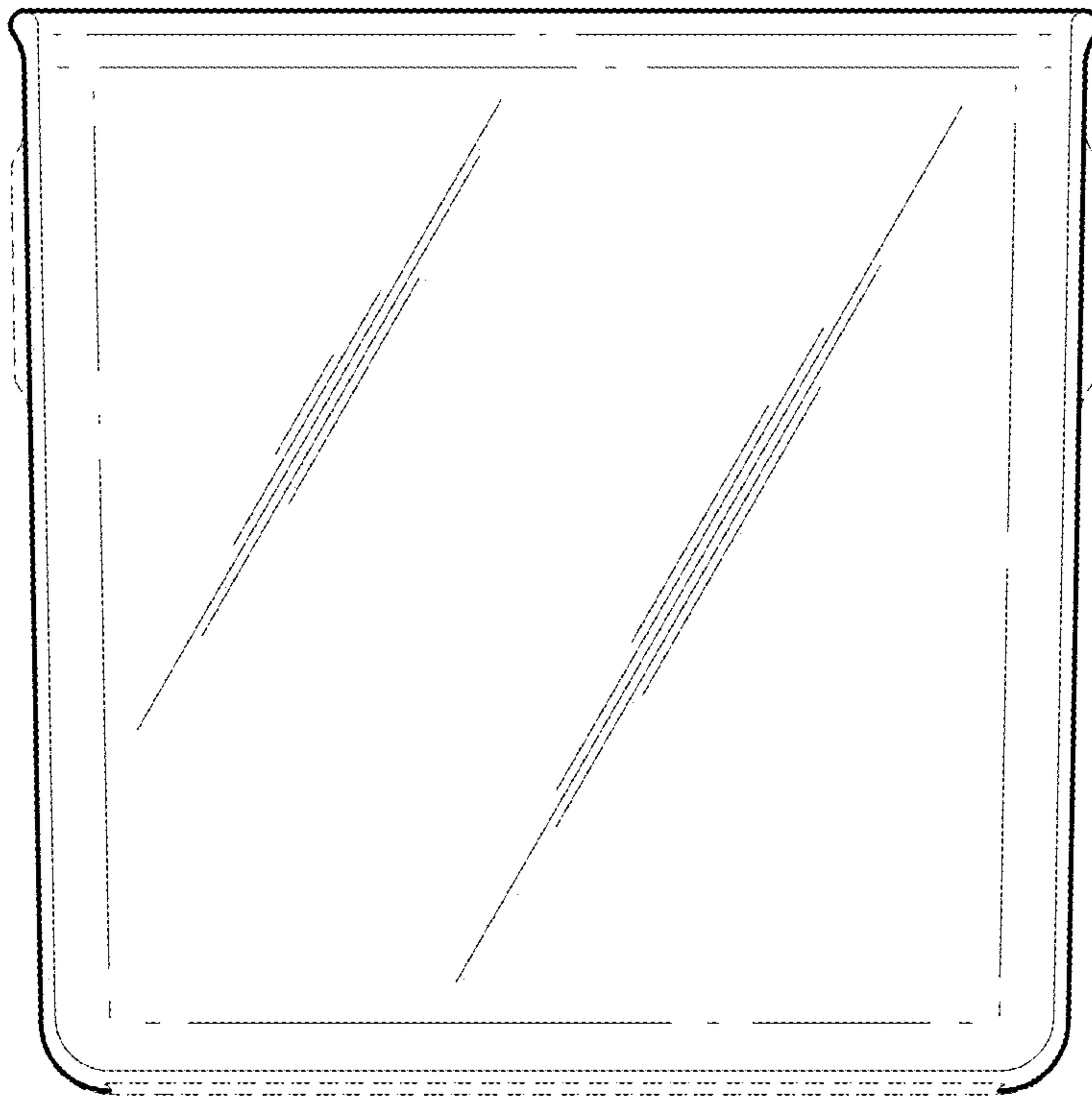


FIG. 6

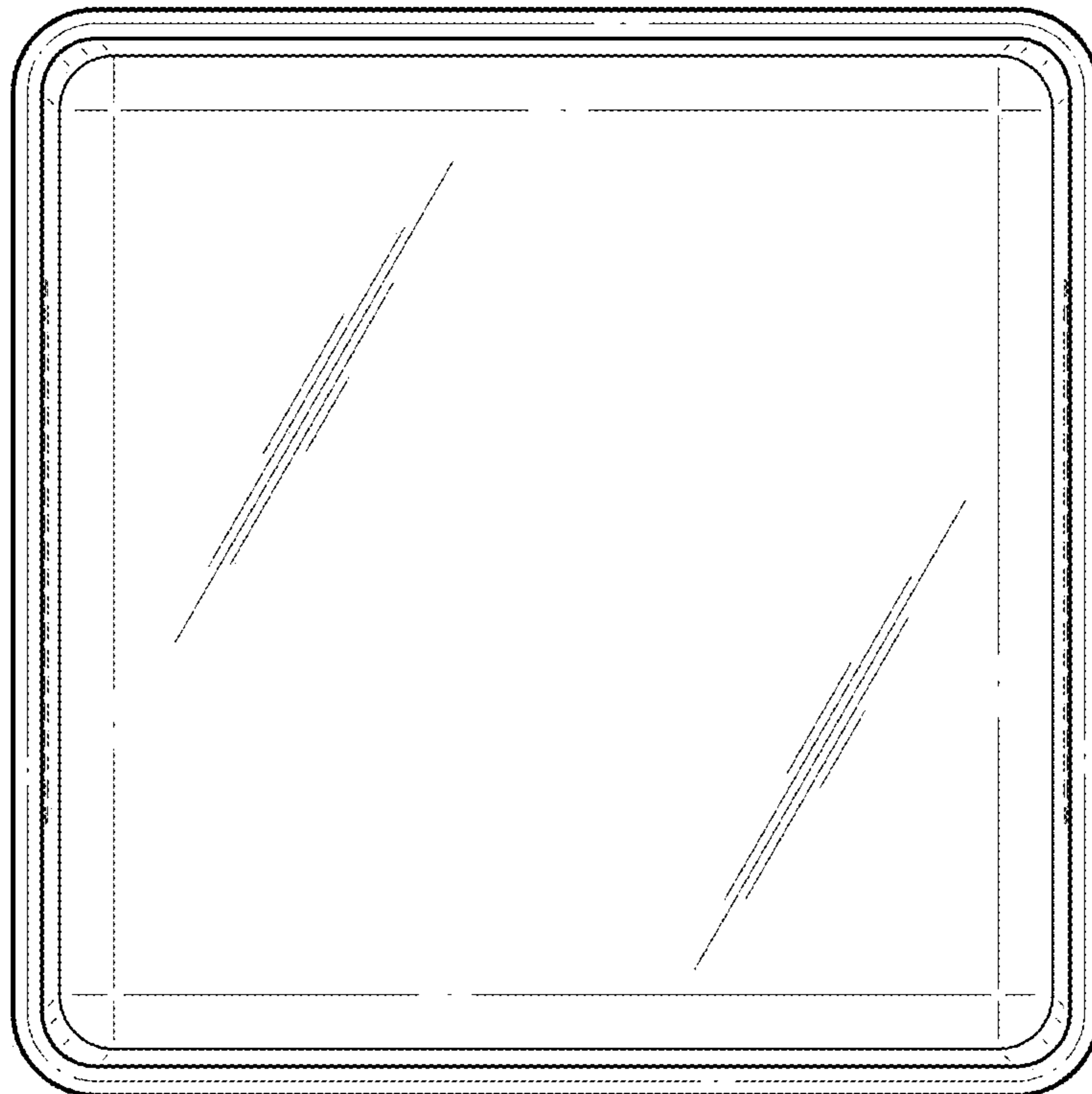


FIG. 7

