



US00D912984S

(12) **United States Design Patent** (10) **Patent No.:** **US D912,984 S**
Reinhart et al. (45) **Date of Patent:** **** Mar. 16, 2021**

(54) **BASE WALL OF TOTE**
(71) Applicant: **CENTREX, LLC**, Sycamore, OH (US)
(72) Inventors: **Nickolas Reinhart**, Findlay, OH (US);
Jacob H. Whitta, Findlay, OH (US)
(73) Assignee: **CENTREX, LLC**, Sycamore, OH (US)
(**) Term: **15 Years**

(21) Appl. No.: **29/699,875**
(22) Filed: **Jul. 30, 2019**
(51) **LOC (13) Cl.** **03-01**
(52) **U.S. Cl.**
USPC **D3/304**
(58) **Field of Classification Search**
USPC D6/672, 675, 682, 682.1, 683, 683.1;
D3/304, 307, 308, 309, 314, 315
CPC ... B65D 1/00; B65D 1/22; B65D 1/24; B65D
1/243; B65D 11/20; B65D 11/00
See application file for complete search history.

(56) **References Cited**
U.S. PATENT DOCUMENTS

D197,311 S *	1/1964	Speak et al.	D3/307
D246,872 S *	1/1978	White	D3/304
D248,280 S *	6/1978	Martin	D3/304
4,416,374 A *	11/1983	Smith	B65D 21/045 206/507
D341,461 S *	11/1993	Davidson	D3/312
D421,183 S *	2/2000	Koskinen	D3/304
6,253,948 B1 *	7/2001	Ficker	B65D 21/0223 220/350
D549,454 S *	8/2007	Åhman	D3/304
D648,535 S *	11/2011	Reinhart	D3/302
D743,171 S	11/2015	Reinhart	
D746,131 S *	12/2015	Astorga	D9/425
D756,652 S	5/2016	Reinhart	
D762,387 S *	8/2016	Green	D3/304
D794,958 S *	8/2017	Reinhart	D3/307

D797,453 S * 9/2017 Shamp D3/314
D812,377 S * 3/2018 Shpitzer D3/304
D832,577 S * 11/2018 Ogilvie D3/304
D834,315 S * 11/2018 Reinhart D3/312
D888,604 S * 6/2020 Calle A01G 25/023
D11/155

2019/0092524 A1 3/2019 Reinhart

* cited by examiner

Primary Examiner — Kelley A Donnelly

(74) *Attorney, Agent, or Firm* — Jacob M. Ward; Ward Law Office LLC

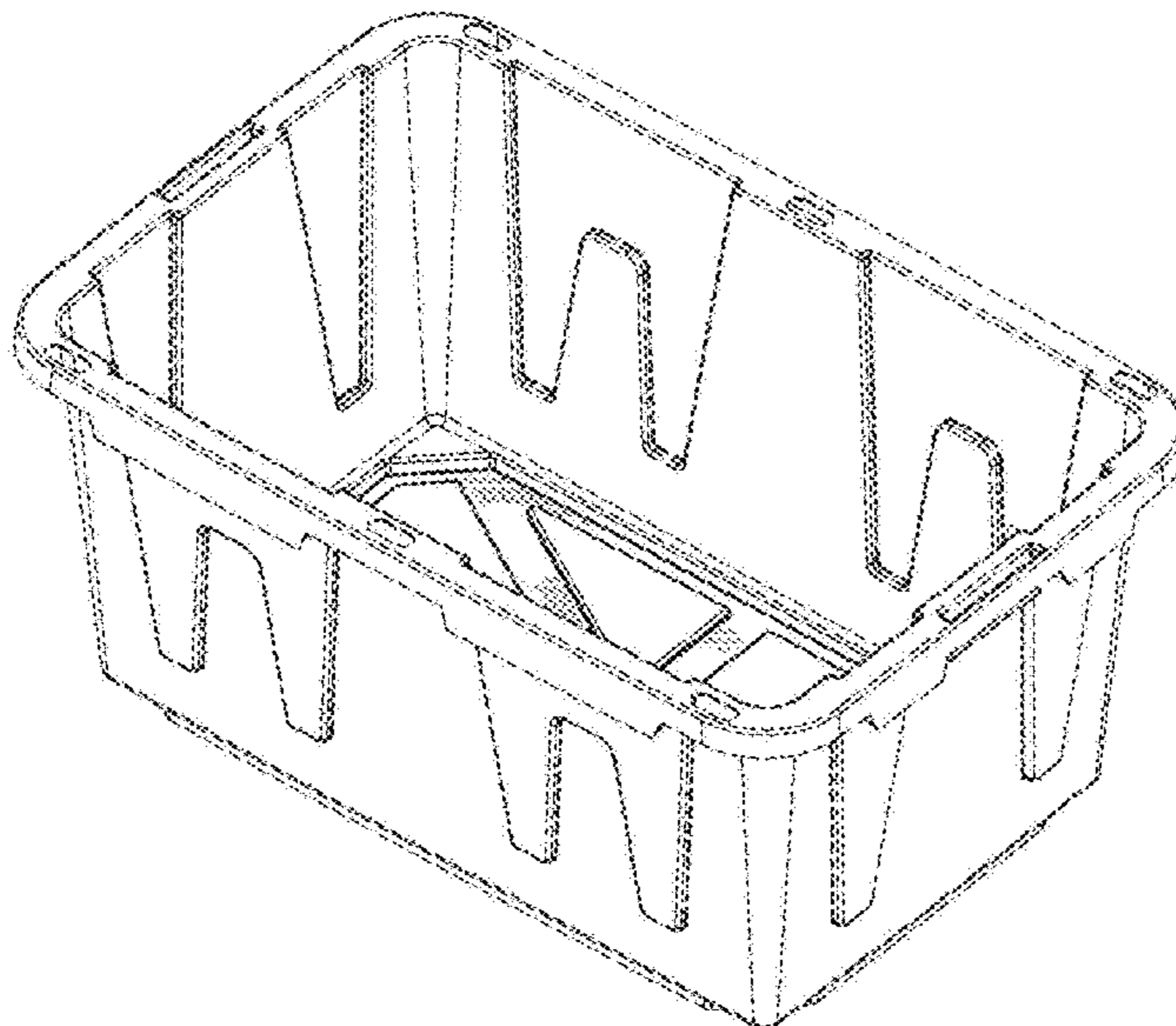
(57) **CLAIM**

The ornamental design for a base wall of tote, as shown and described.

DESCRIPTION

FIG. 1 is a top perspective view of a base wall of tote according to the present disclosure;
FIG. 2 is a bottom perspective view of the base wall of tote shown in FIG. 1;
FIG. 3 is a left elevational view of the base wall of tote shown in FIG. 1;
FIG. 4 is a front elevational view of the base wall of tote shown in FIG. 1;
FIG. 5 is a top plan view of the base wall of tote in FIG. 1; and,
FIG. 6 is a bottom plan view of the base wall of tote shown in FIG. 1.
A right side elevational view of the base wall of tote is not shown because it is identical to the left side elevational view shown in FIG. 3.
A rear elevational view of the base wall of tote is not shown because it is identical to the front elevational view shown in FIG. 4.
The ornamental design which is claimed is shown in solid lines in the drawings. The broken lines illustrate environmental structure and form no part of the claimed design.

1 Claim, 3 Drawing Sheets



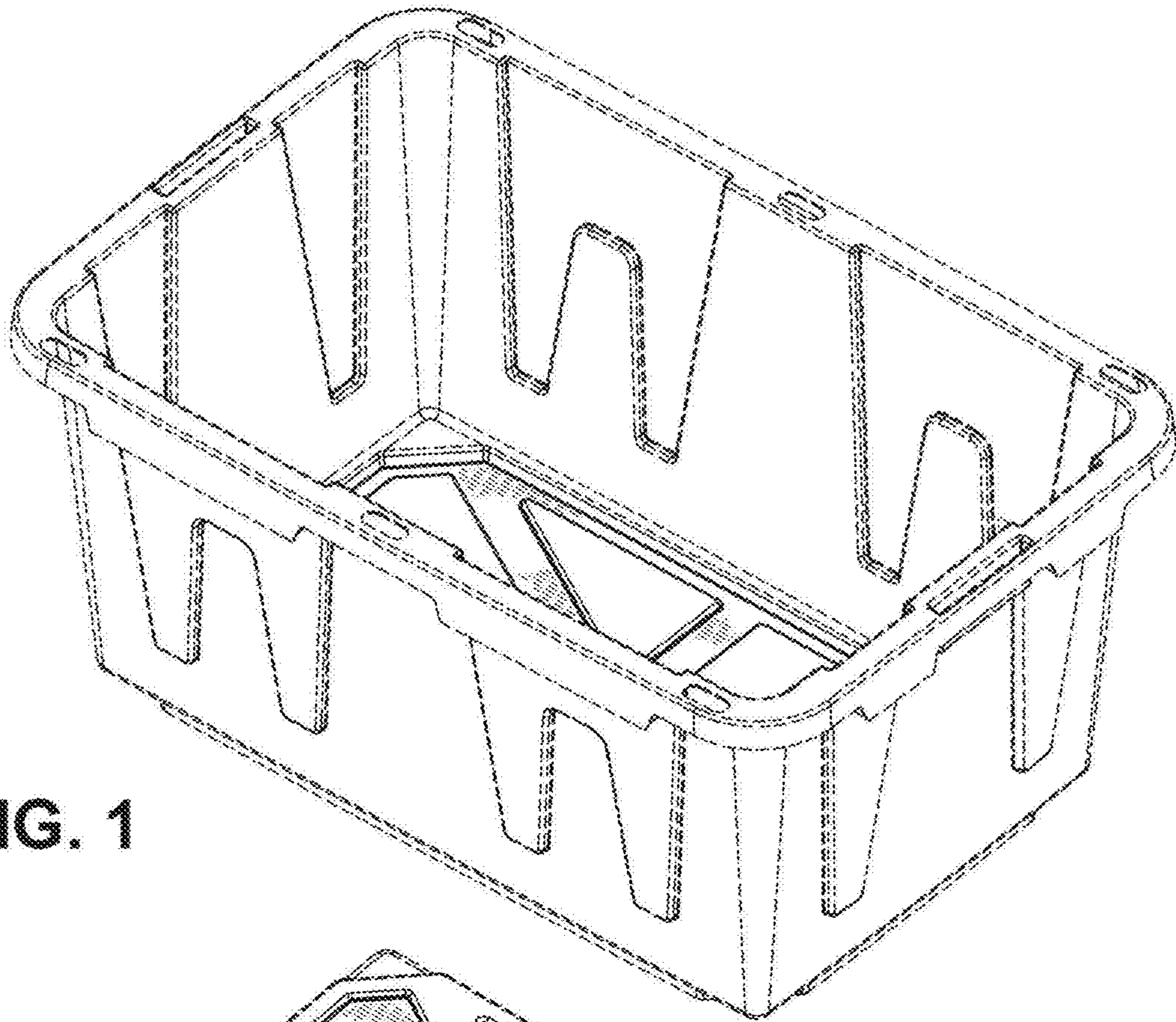


FIG. 1

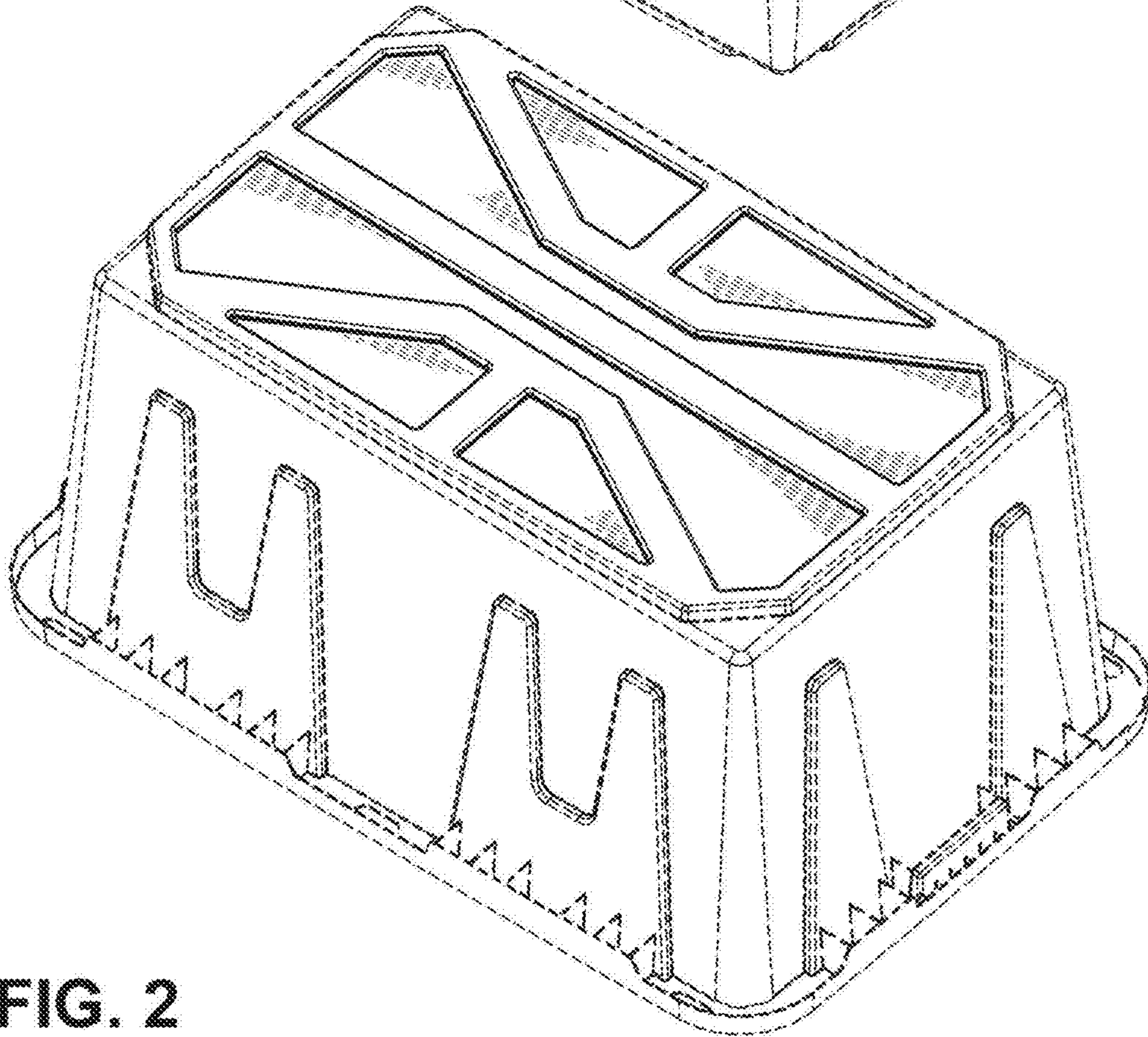


FIG. 2

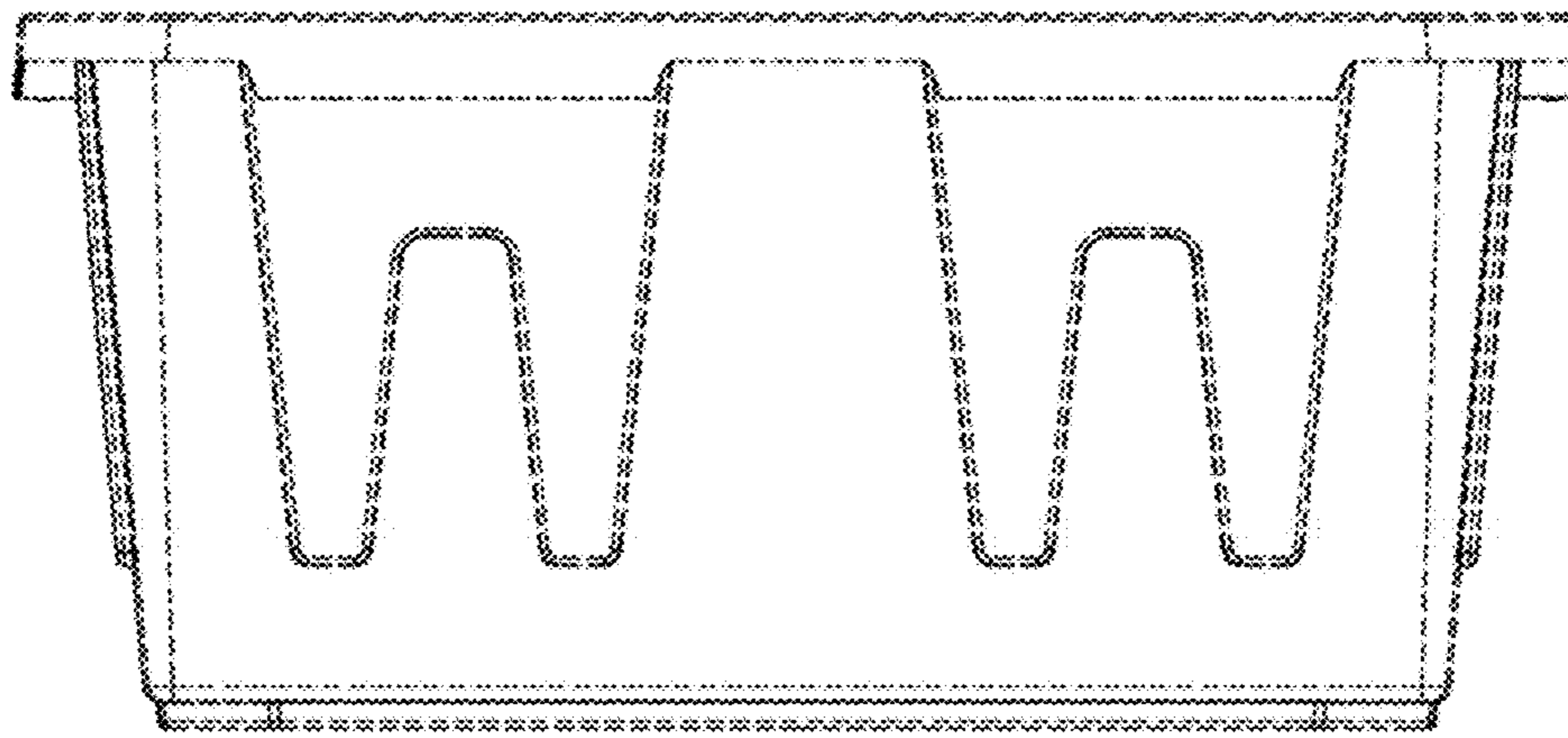


FIG. 3

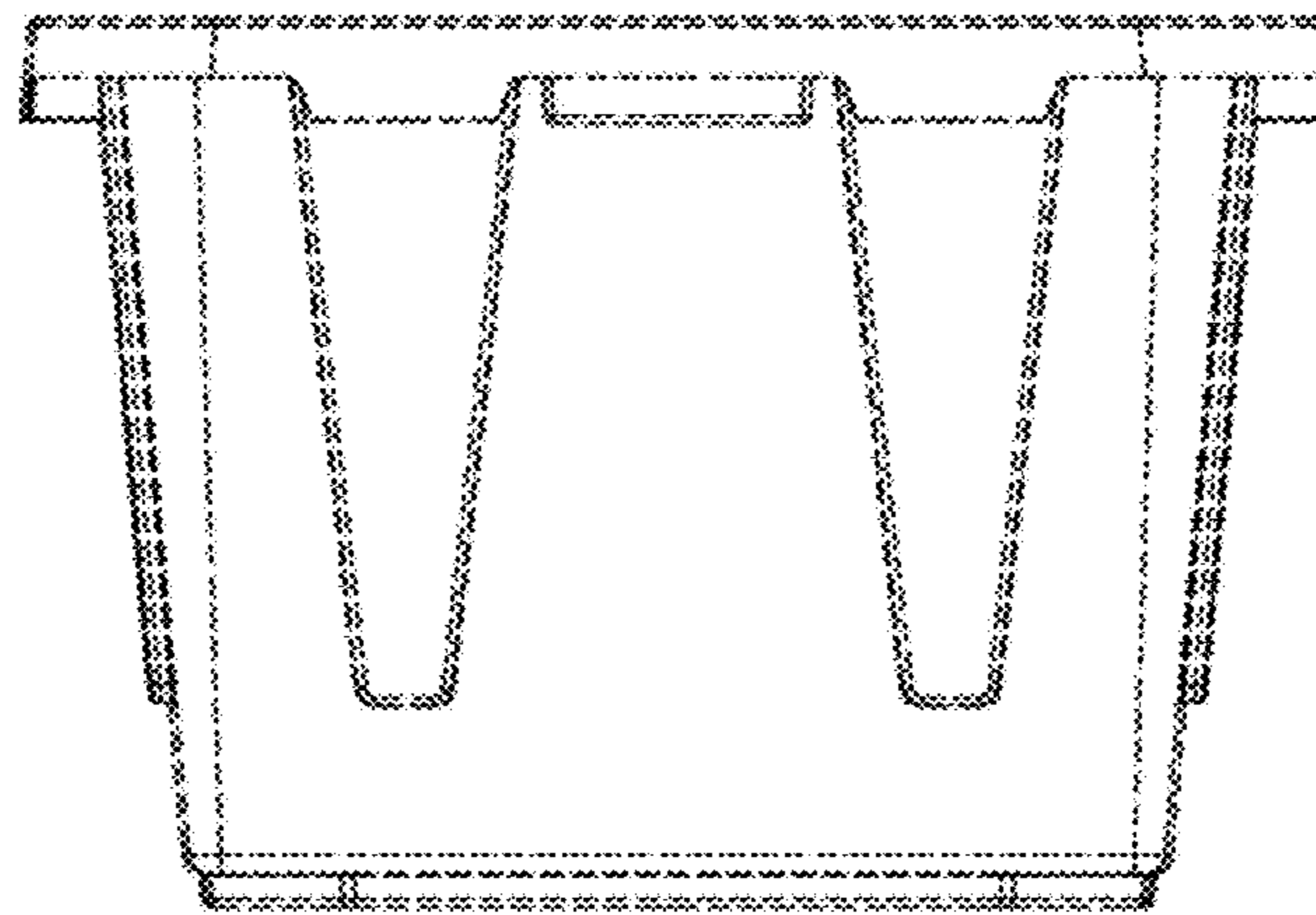


FIG. 4

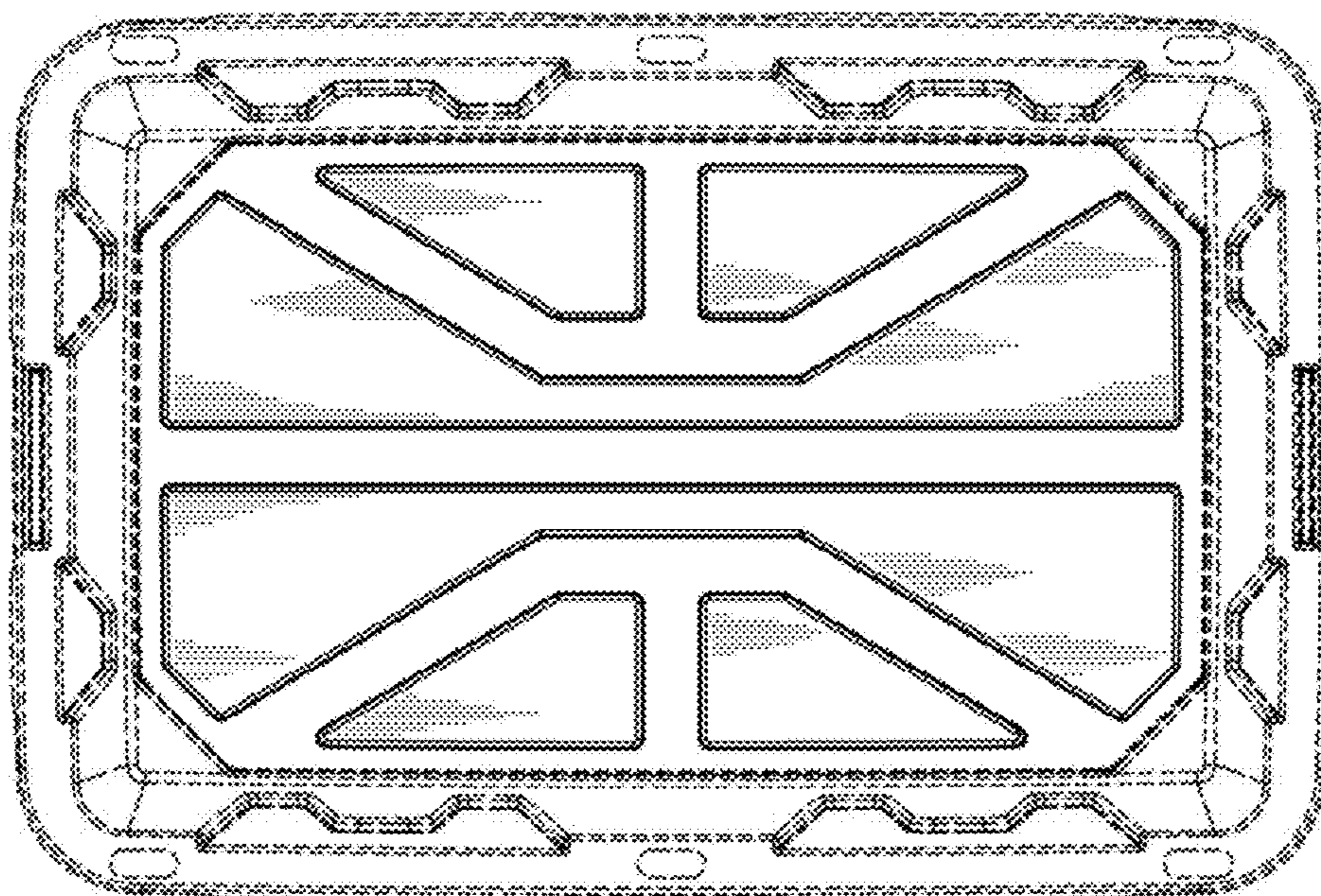


FIG. 5

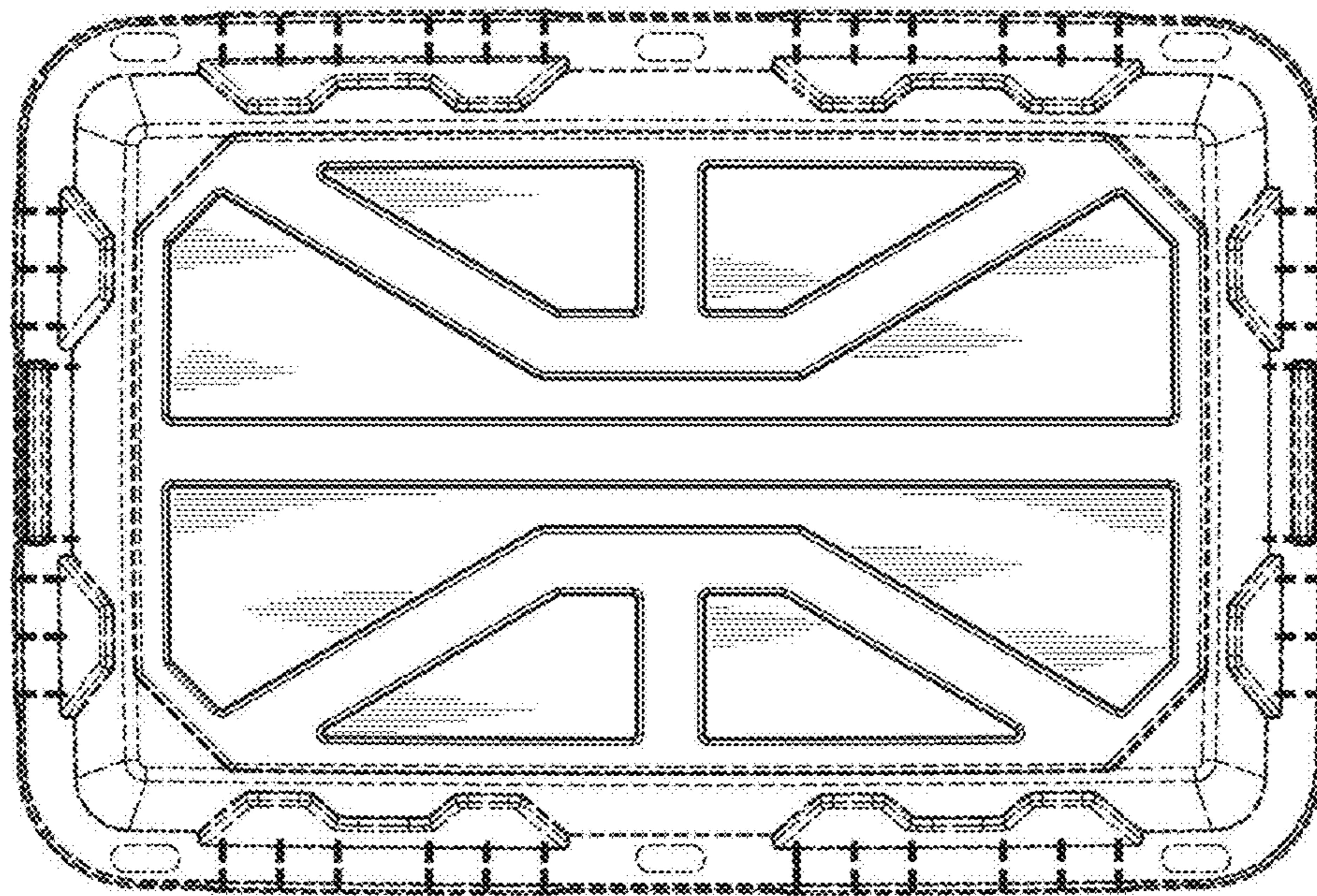


FIG. 6