



US00D912982S

(12) **United States Design Patent**  
**Kim**

(10) **Patent No.:** **US D912,982 S**

(45) **Date of Patent:** **\*\* Mar. 16, 2021**

(54) **STORAGE CONTAINER FOR CONTACT LENS**

(71) Applicant: **Da-Young Kim**, Daegu (KR)

(72) Inventor: **Da-Young Kim**, Daegu (KR)

(\*\*) Term: **15 Years**

(21) Appl. No.: **29/692,683**

(22) Filed: **May 28, 2019**

(51) **LOC (13) Cl.** ..... **03-01**

(52) **U.S. Cl.**  
USPC ..... **D3/264**

(58) **Field of Classification Search**  
USPC ..... D3/207, 215, 219, 229, 263–266, 299,  
D3/211; D12/417; D16/330, 339;  
24/3.3, 3.7, 3.8, 563; 206/5, 5.1, 6;  
248/902; 351/112, 155; D9/435, 452,  
D9/454  
CPC ..... A45C 11/04; A45C 11/005; A47F 7/02;  
A47F 7/021  
See application file for complete search history.

(56) **References Cited**

**U.S. PATENT DOCUMENTS**

D59,596 S *	11/1921	Hyatt	.....	D9/452
D117,705 S *	11/1939	Abrams	.....	D9/746
2,586,740 A *	2/1952	Swanson	.....	A45F 5/02 224/667
D173,295 S *	10/1954	Wantz	.....	D3/266
2,739,698 A *	3/1956	Baratelli	.....	A45C 11/04 206/5
D188,393 S *	7/1960	Fagan	.....	D3/264
D204,641 S *	5/1966	Brigham	.....	D3/229
D217,136 S *	4/1970	Howard et al.	.....	D9/452
D245,371 S *	8/1977	Mowry	.....	D3/207
D258,850 S *	4/1981	Brentini	.....	D3/207
D263,119 S *	2/1982	Oshita	.....	D9/503
4,324,121 A *	4/1982	Richter	.....	A44B 15/00 70/459

D266,649 S *	10/1982	Plewes	.....	D9/454
D267,652 S *	1/1983	Thomas	.....	206/5.1
4,415,076 A *	11/1983	Campbell	.....	A45C 11/005 134/137

(Continued)

*Primary Examiner* — T Chase Nelson

(74) *Attorney, Agent, or Firm* — Novick, Kim & Lee, PLLC; Jae Youn Kim; Hyun Woo Shin

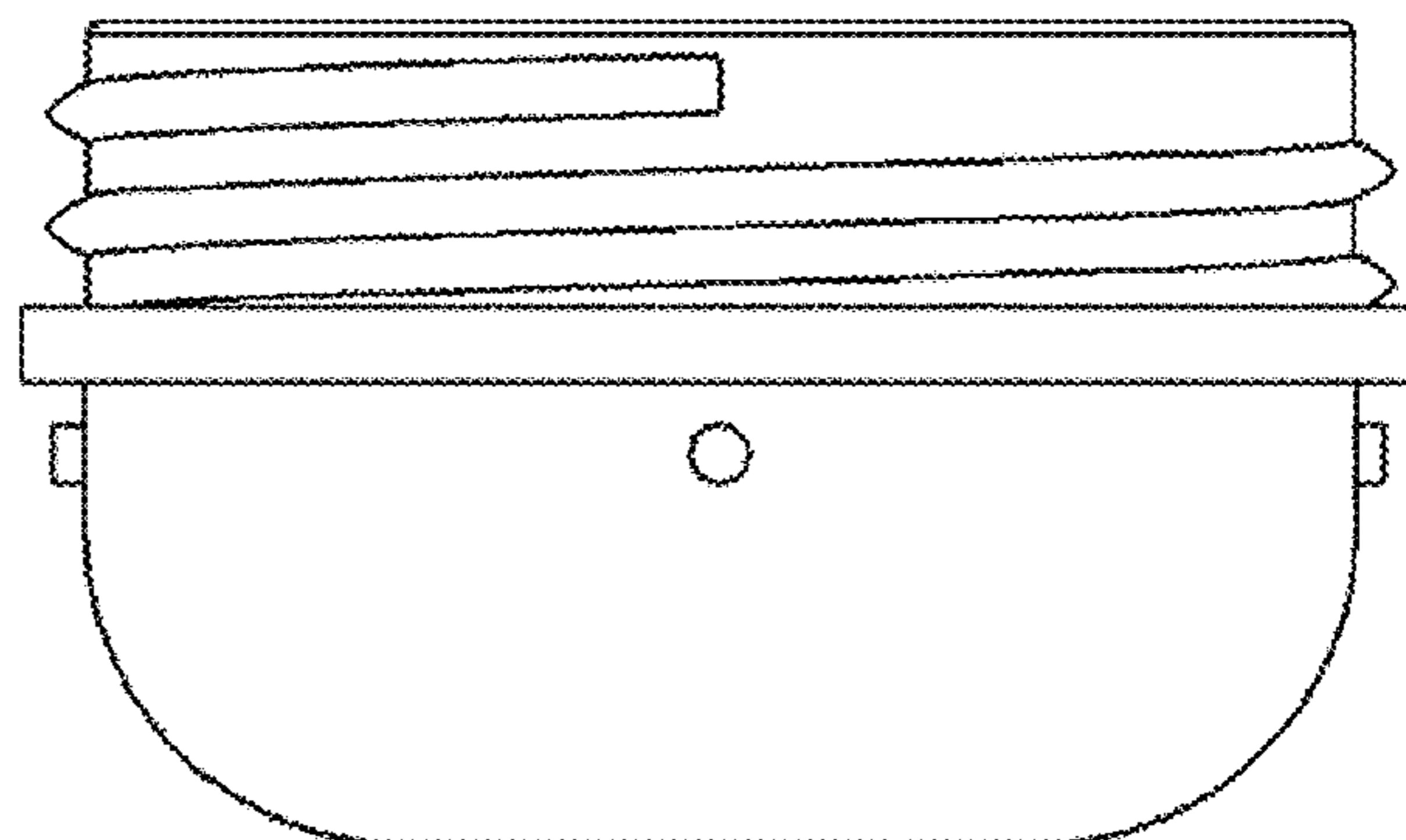
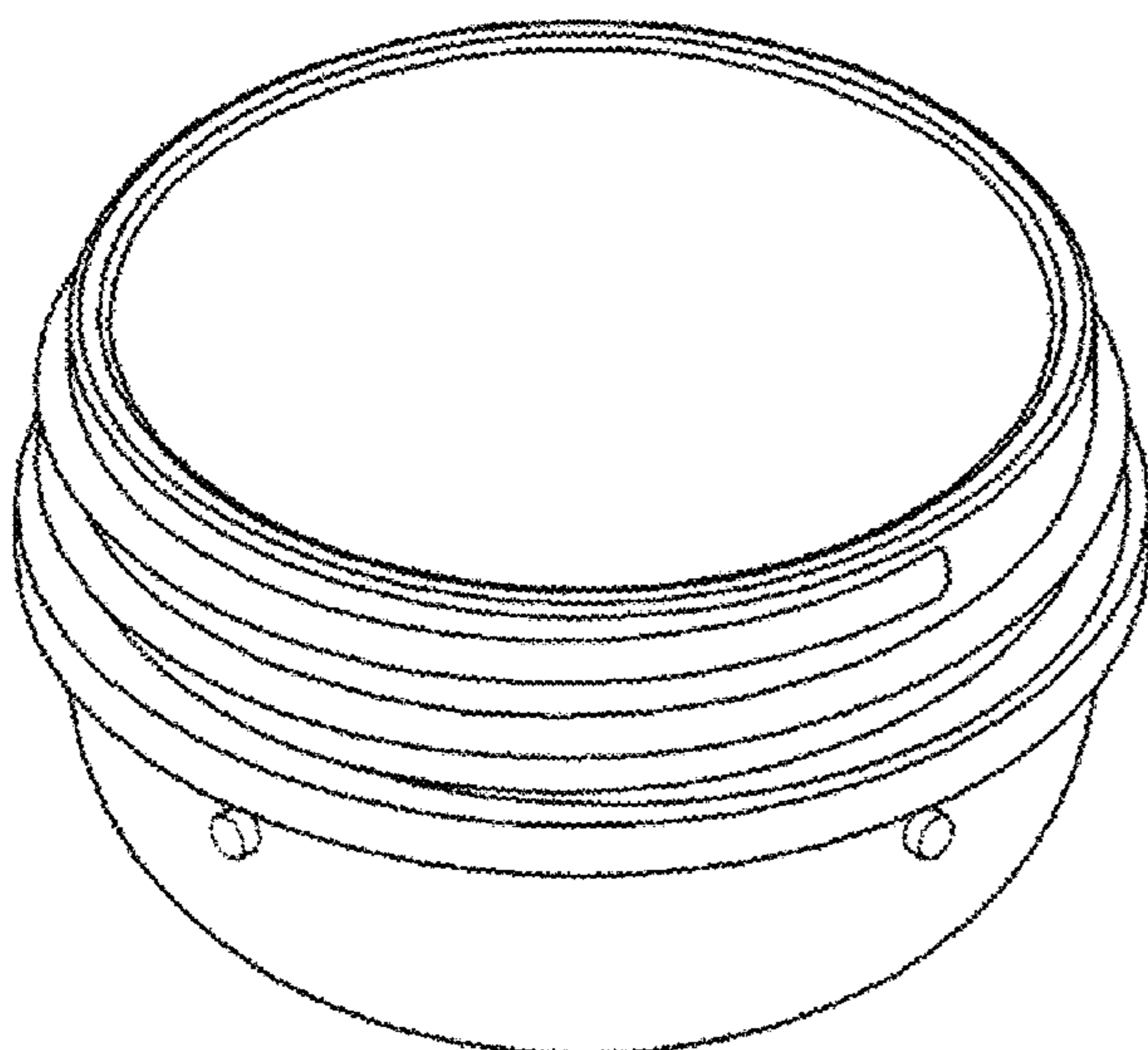
(57) **CLAIM**

I claim, the ornamental design for a storage container for contact lens, as shown and described.

**DESCRIPTION**

FIG. 1 is a top perspective view of a storage container for contact lens, showing my new design;  
 FIG. 2 is a front elevational view thereof;  
 FIG. 3 is a rear elevational view thereof;  
 FIG. 4 is a left side elevational view thereof;  
 FIG. 5 is a right side elevational view thereof;  
 FIG. 6 is a top plan view thereof;  
 FIG. 7 is a bottom plan view thereof;  
 FIG. 8 is a bottom perspective view thereof;  
 FIG. 9 is a sectional view thereof taken along line 9-9 of FIG. 6;  
 FIG. 10 is a reference view thereof showing a configuration of use covered by a packing wrap;  
 FIG. 11 is a reference view thereof showing another configuration of use covered by a cap;  
 FIG. 12 is a reference view of the storage container for contact lens with the covering shown in FIG. 10 and with the storage container placed on a storage case; and,  
 FIG. 13 is a reference view of the storage container for contact lens with the covering shown in FIG. 11 and with the storage container placed on a storage case.  
 The broken lines shown in the drawings show environmental structure and multiplied storage containers, none of which form a part of the claimed design.

**1 Claim, 6 Drawing Sheets**



(56)

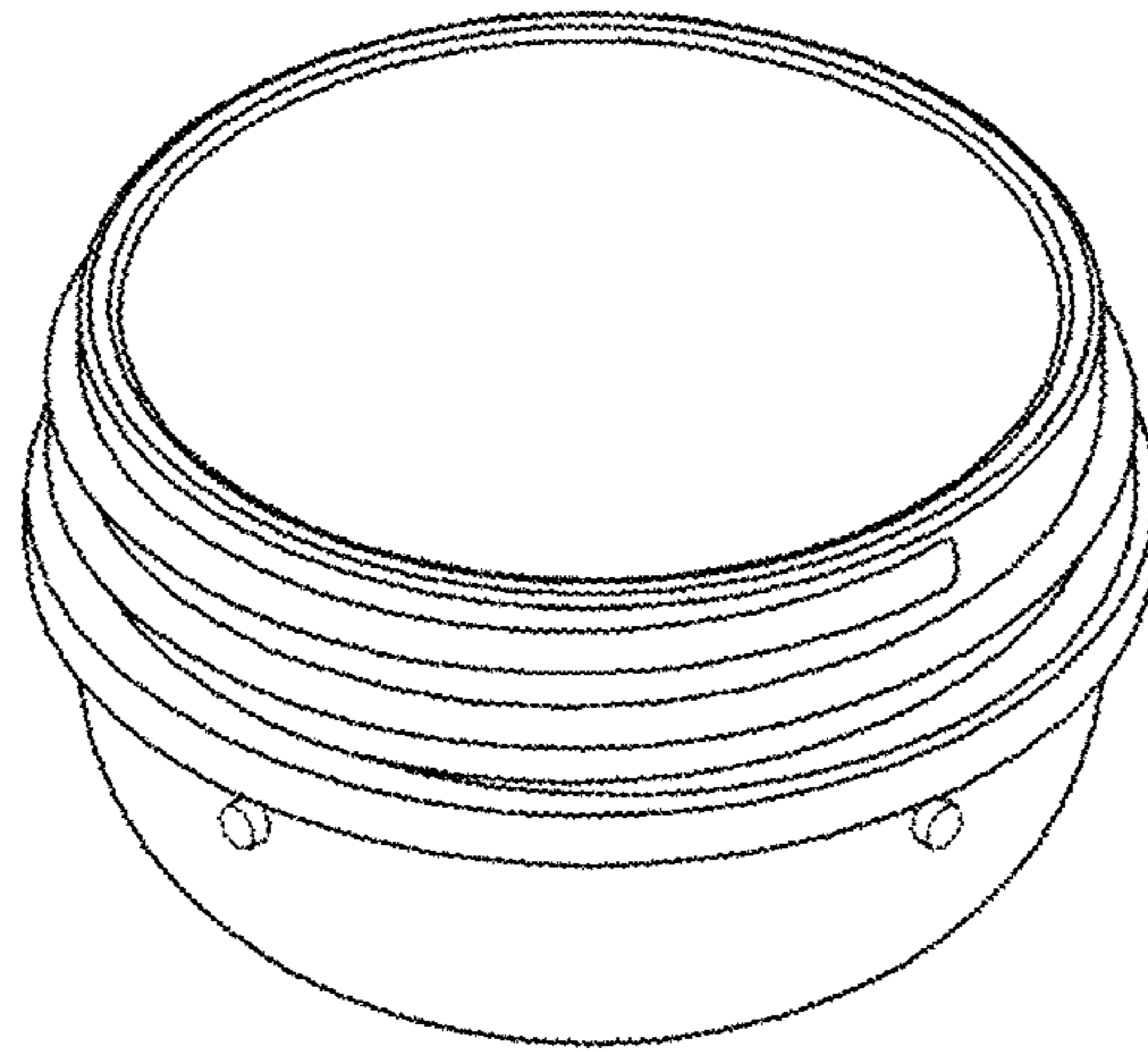
References Cited

U.S. PATENT DOCUMENTS

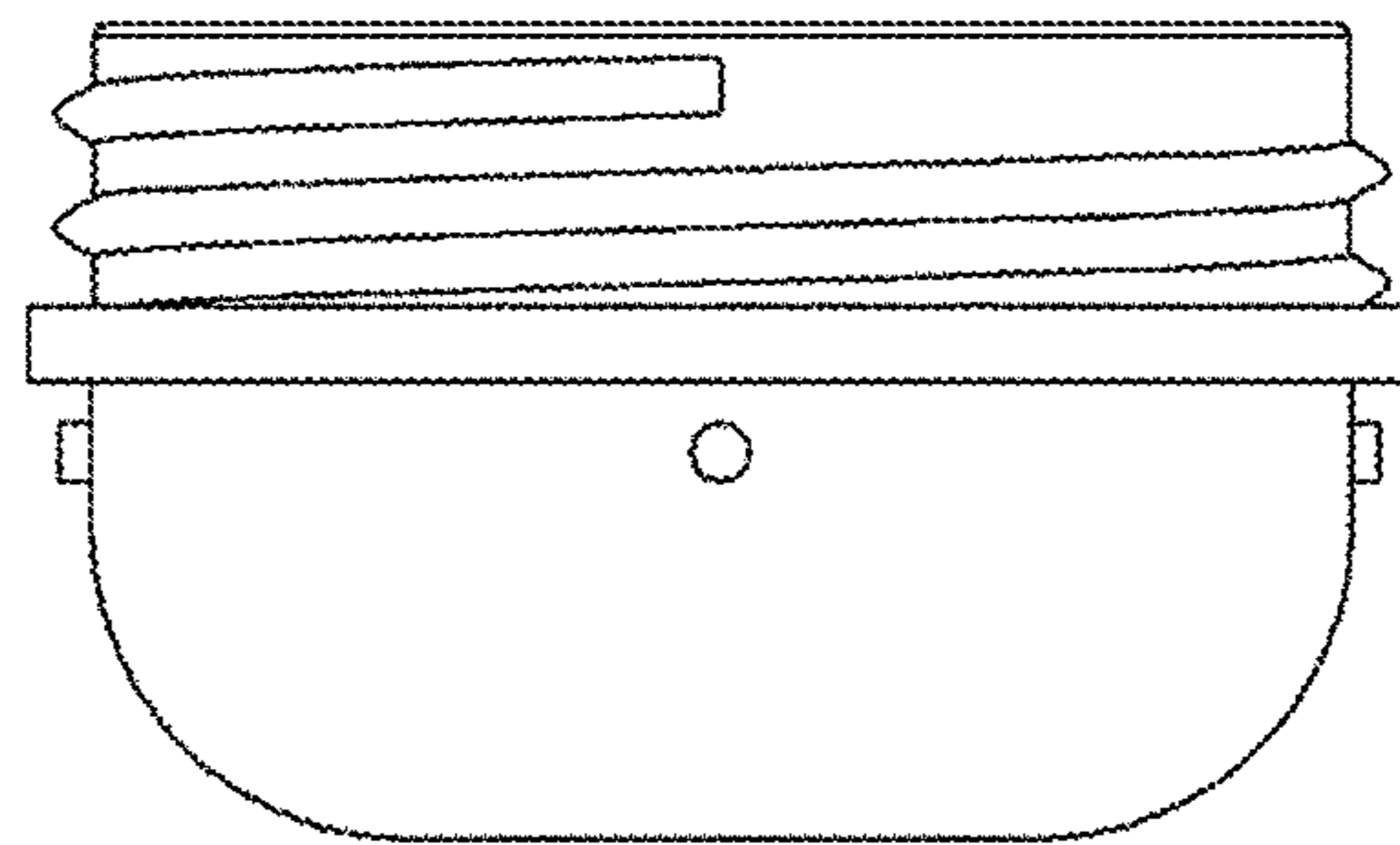
4,444,307	A *	4/1984	Jermyn	.....	A45C 11/005				
						134/901			
D285,744	S *	9/1986	Vinot	.....	D3/264				
D286,465	S *	11/1986	Attwood	.....	D3/207				
4,653,711	A *	3/1987	Marshell	.....	B60K 15/0406				
						220/744			
D289,922	S *	5/1987	Jermyn	.....	D24/218				
D289,923	S *	5/1987	Hoogesteger	.....	D24/218				
5,277,324	A *	1/1994	Cash	.....	B65D 23/065				
						215/275			
D358,477	S *	5/1995	De Meo	.....	D3/264				
D371,678	S *	7/1996	Borghorst	.....	D3/263				
5,620,088	A *	4/1997	Martin	.....	B65B 25/008				
						206/5.1			
D381,259	S *	7/1997	Hayes	.....	D9/454				
D385,414	S *	10/1997	Siu	.....	D3/207				
5,695,049	A *	12/1997	Bauman	.....	A45C 11/005				
						206/5.1			
D388,603	S *	1/1998	Fortune	.....	D3/215				
D392,046	S *	3/1998	Niedospial, Jr.	.....	D24/224				
D429,153	S *	8/2000	Gabriel	.....	D9/447				
D435,961	S *	1/2001	Weinstock	.....	D3/215				
D435,966	S *	1/2001	Duis	.....	D3/264				
D441,284	S *	5/2001	Saur	.....	D3/264				
6,244,430	B1 *	6/2001	Travis	.....	A44B 15/005				
						206/205			
6,435,339	B1 *	8/2002	Kroupa	.....	A45C 11/005				
						206/38			
D471,357	S *	3/2003	Hoppe	.....	D3/266				
D500,589	S *	1/2005	Schmitz	.....	D3/207				
6,837,472	B1 *	1/2005	Beutz	.....	A45F 3/16				
						224/148.4			
D511,893	S *	11/2005	Chou	.....	D3/263				
D512,217	S *	12/2005	Chou	.....	D3/263				
D519,372	S *	4/2006	Hsieh	.....	D6/542				
7,086,526	B2 *	8/2006	Newman	.....	A45C 11/005				
						206/5.1			
D534,076	S *	12/2006	Green	.....	A45D 40/0068				
						D9/435			
D540,173	S *	4/2007	Obuchi	.....	D9/452				
D543,103	S *	5/2007	Roche	.....	D3/264				
D551,448	S *	9/2007	Stull	.....	D3/264				
D560,120	S *	1/2008	Maravich	.....	D9/453				
D584,043	S *	1/2009	Baskett	.....	D22/134				
D616,198	S *	5/2010	Liu	.....	D3/264				
D626,409	S *	11/2010	Hooley	.....	D9/434				
D652,310	S *	1/2012	Hartford	.....	D9/544				
D659,003	S *	5/2012	Knox	.....	D9/529				
D682,042	S *	5/2013	Sanders	.....	D7/619.2				
D684,015	S *	6/2013	Sanders	.....	D7/619.2				
D688,530	S *	8/2013	Sanders	.....	D7/619.2				
D690,561	S *	10/2013	Sanders	.....	D7/619.1				
8,596,782	B2 *	12/2013	Matsuzawa	.....	A61L 2/26				
						351/159.33			
D704,440	S *	5/2014	Kroupa	.....	D3/264				
D714,052	S *	9/2014	Priebe	.....	D3/264				
D751,399	S *	3/2016	Lynd	.....	D9/454				
D755,516	S *	5/2016	Krenkler	.....	D3/264				
D759,488	S *	6/2016	Gibson	.....	D9/454				
D778,594	S *	2/2017	Sanders	.....	D3/207				
D784,694	S *	4/2017	Priebe	.....	D3/264				
D796,952	S *	9/2017	Katopis	.....	D9/451				
D818,309	S *	5/2018	Jasso Gomez	.....	D7/392.1				
D820,086	S *	6/2018	Lynd	.....	D9/454				
D842,111	S *	3/2019	Delia	.....	D9/504				
D853,215	S *	7/2019	Bellamy, Sr.	.....	D8/40				
D860,637	S *	9/2019	Sanders	.....	D3/207				
D866,334	S *	11/2019	Wieland	.....	D9/504				
D891,770	S *	8/2020	Gagnon	.....	D3/264				
D891,927	S *	8/2020	Zhu	.....	D9/503				
D892,493	S *	8/2020	Carson	.....	D3/207				
D892,620	S *	8/2020	Kaye	.....	D9/500				
D893,246	S *	8/2020	Monaghan	.....	D7/396.2				
2002/0020634	A1 *	2/2002	Fortune	.....	A45C 11/005				
						206/5.1			
2004/0140229	A1 *	7/2004	Borovsky	.....	A45C 11/005				
						206/5.1			
2006/0011496	A1 *	1/2006	Mangabeira Nunez	.....	A45C 11/005				
						206/5.1			
2006/0219577	A1 *	10/2006	Newman	.....	B65D 77/02				
						206/5.1			
2006/0237335	A1 *	10/2006	Py	.....	A45C 11/005				
						206/5.1			
2007/0000792	A1 *	1/2007	Newman	.....	B65D 83/0418				
						206/5.1			
2007/0170075	A1 *	7/2007	Winters	.....	A45C 11/005				
						206/5.1			
2009/0057167	A1 *	3/2009	Rathert	.....	A61F 2/1691				
						206/205			
2010/0122917	A1 *	5/2010	Azera	.....	A45C 11/046				
						206/5.1			
2011/0017243	A1 *	1/2011	Voss	.....	A45C 11/005				
						134/42			
2011/0073497	A1 *	3/2011	Kanner	.....	A45C 11/005				
						206/5.1			
2011/0303562	A1 *	12/2011	Franklin	.....	A45C 15/04				
						206/223			
2012/0193245	A1 *	8/2012	Wright	.....	A45C 11/005				
						206/5.1			
2013/0220840	A1 *	8/2013	Priebe	.....	A45C 11/005				
						206/5.1			
2014/0262844	A1 *	9/2014	Barre	.....	B65D 81/22				
						206/5.1			
2017/0065045	A1 *	3/2017	Lin	.....	A45C 11/005				
2017/0165901	A1 *	6/2017	Fischer	.....	B29C 66/53461				
2019/0046353	A1 *	2/2019	Greenwood	.....	A45C 11/005				
2019/0281936	A1 *	9/2019	Lamrani	.....	A61B 5/6821				

\* cited by examiner

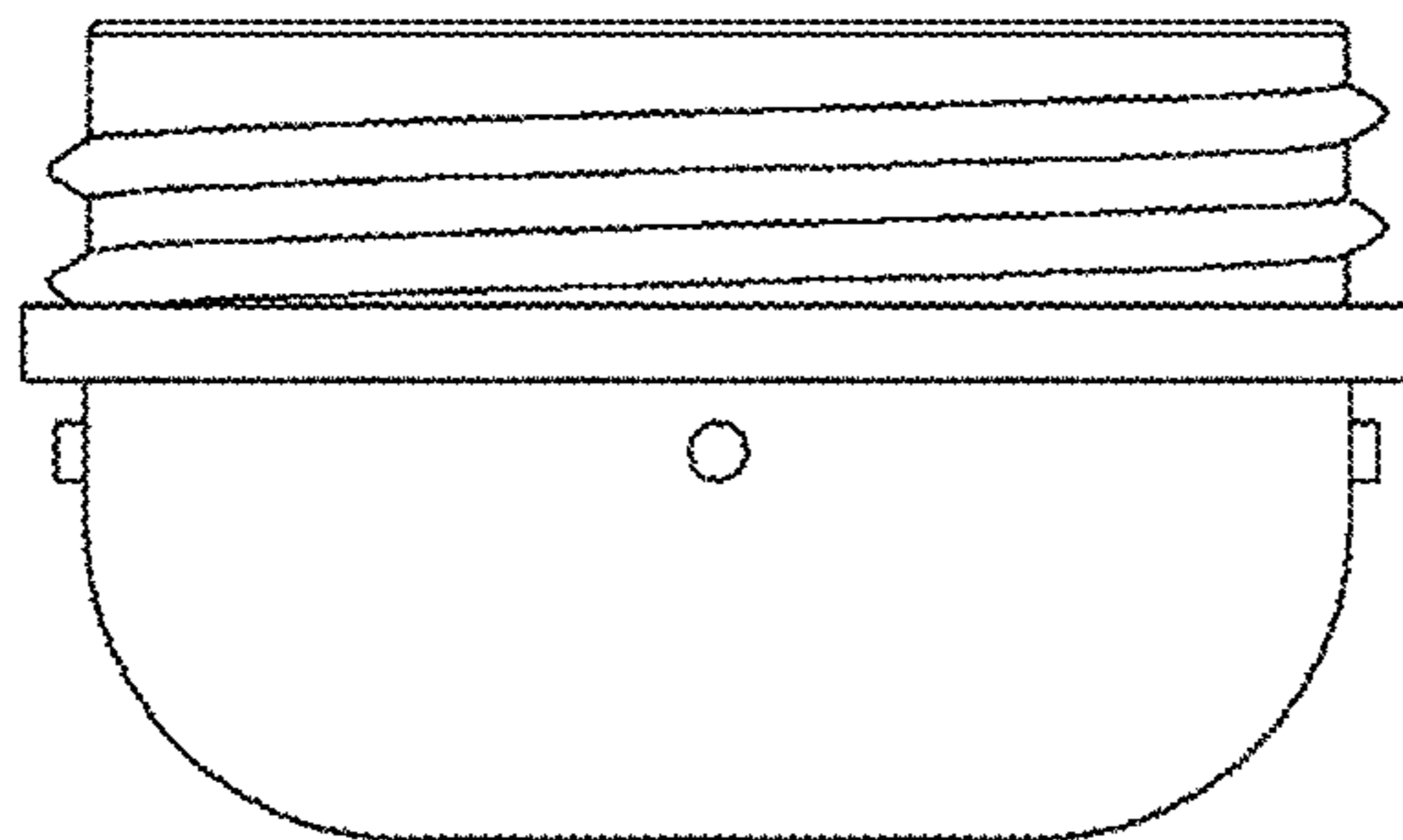




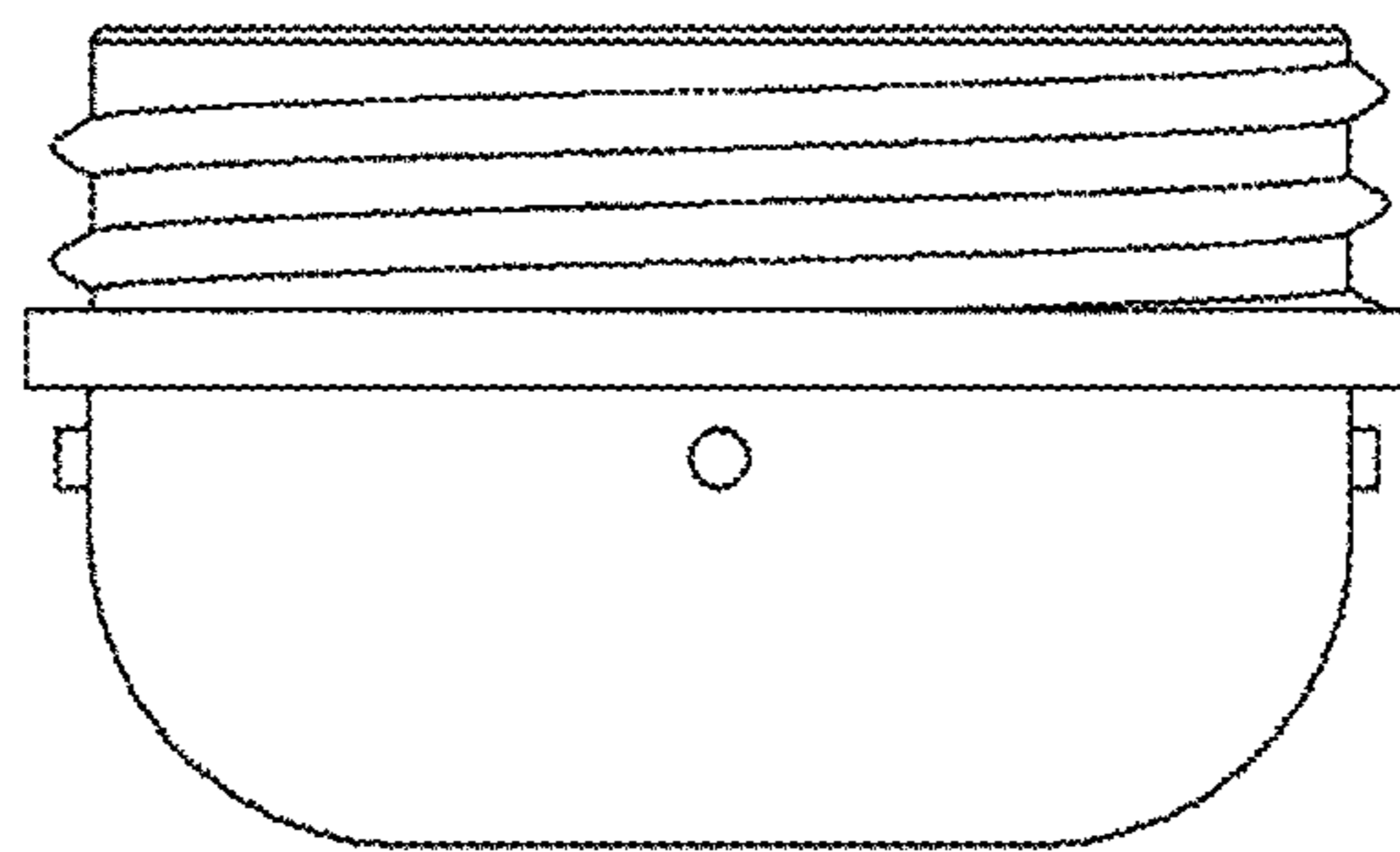
**FIG. 1**



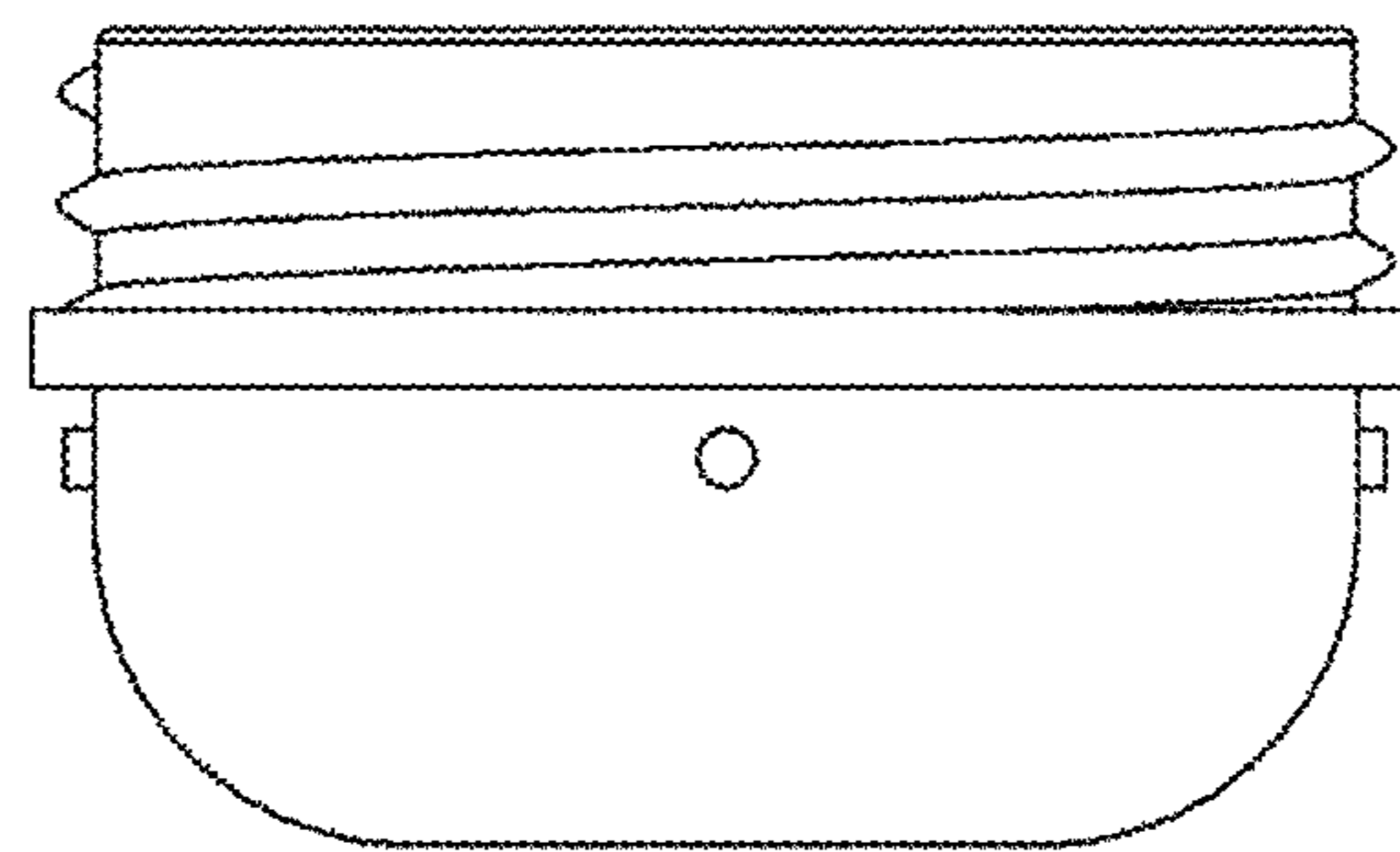
**FIG. 2**



**FIG. 3**



**FIG. 4**



**FIG. 5**

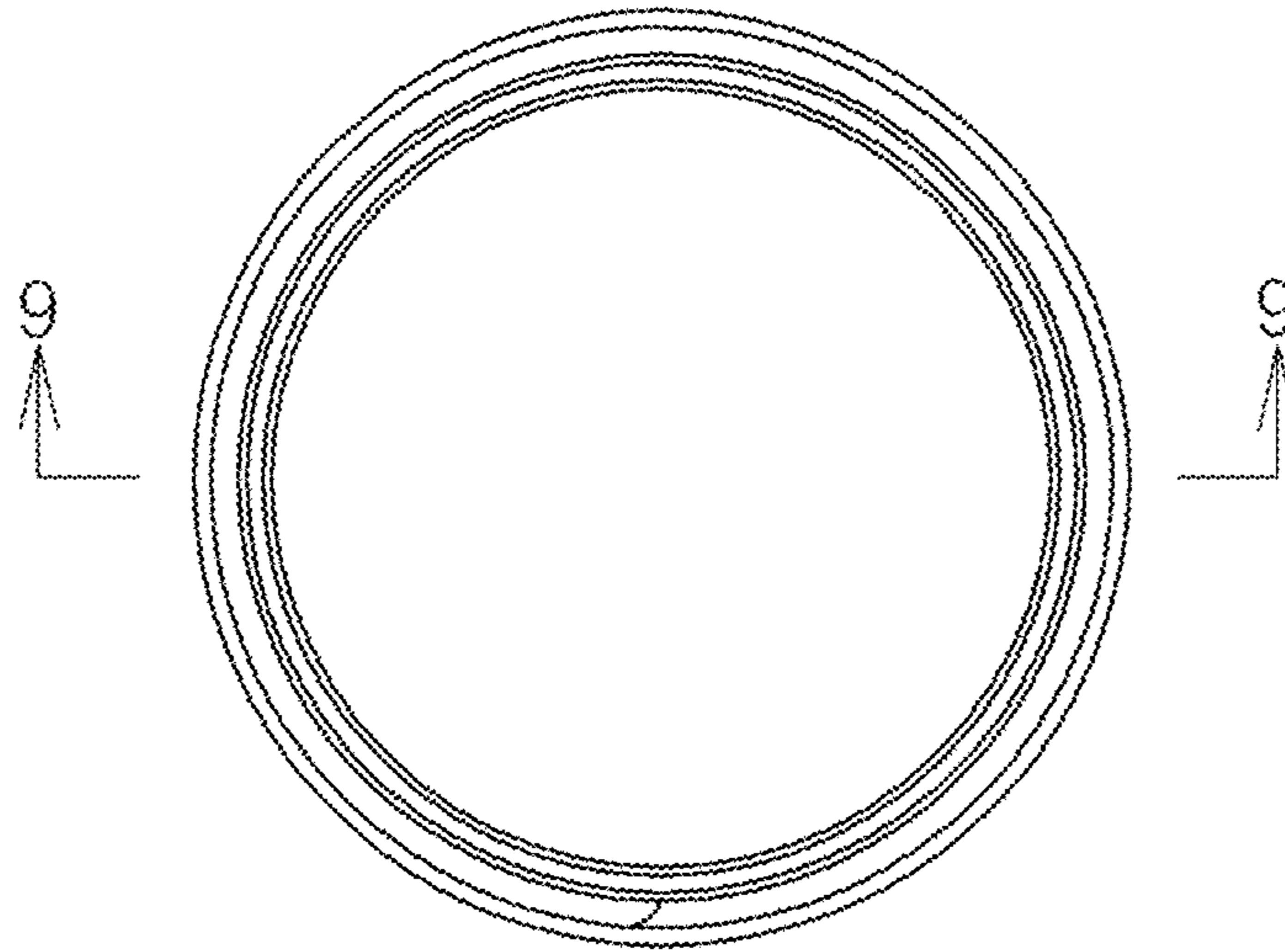


FIG. 6

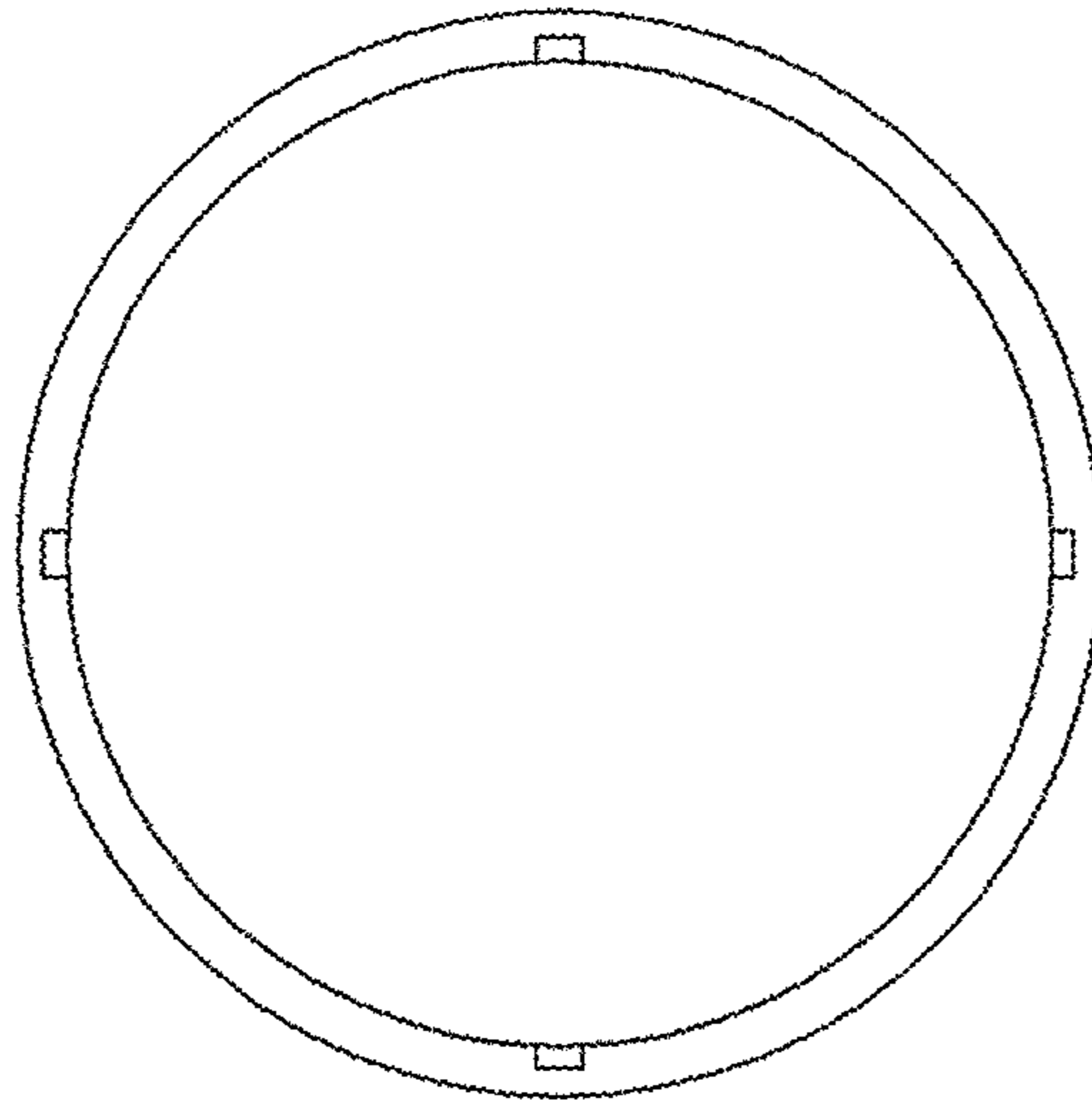
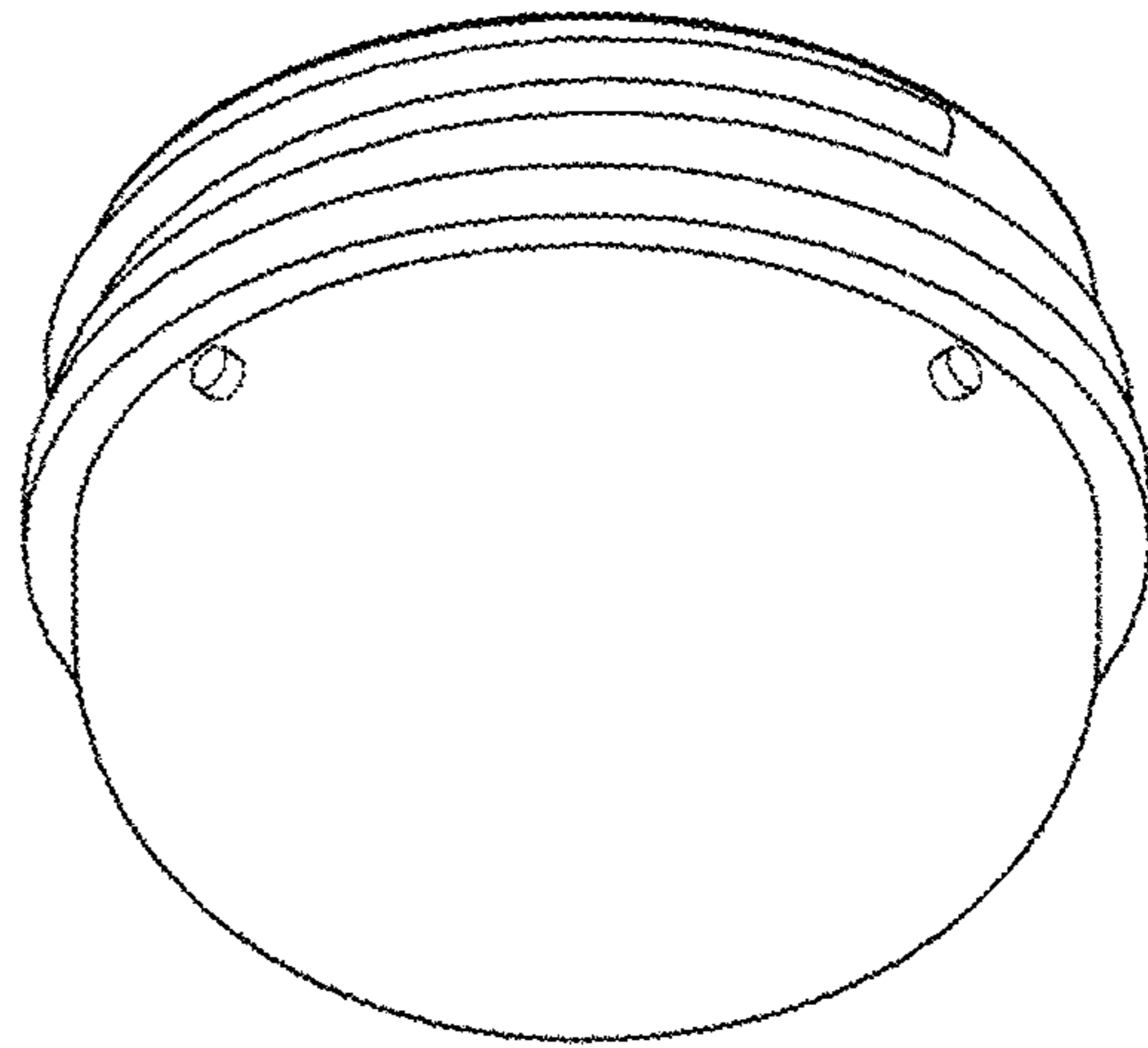
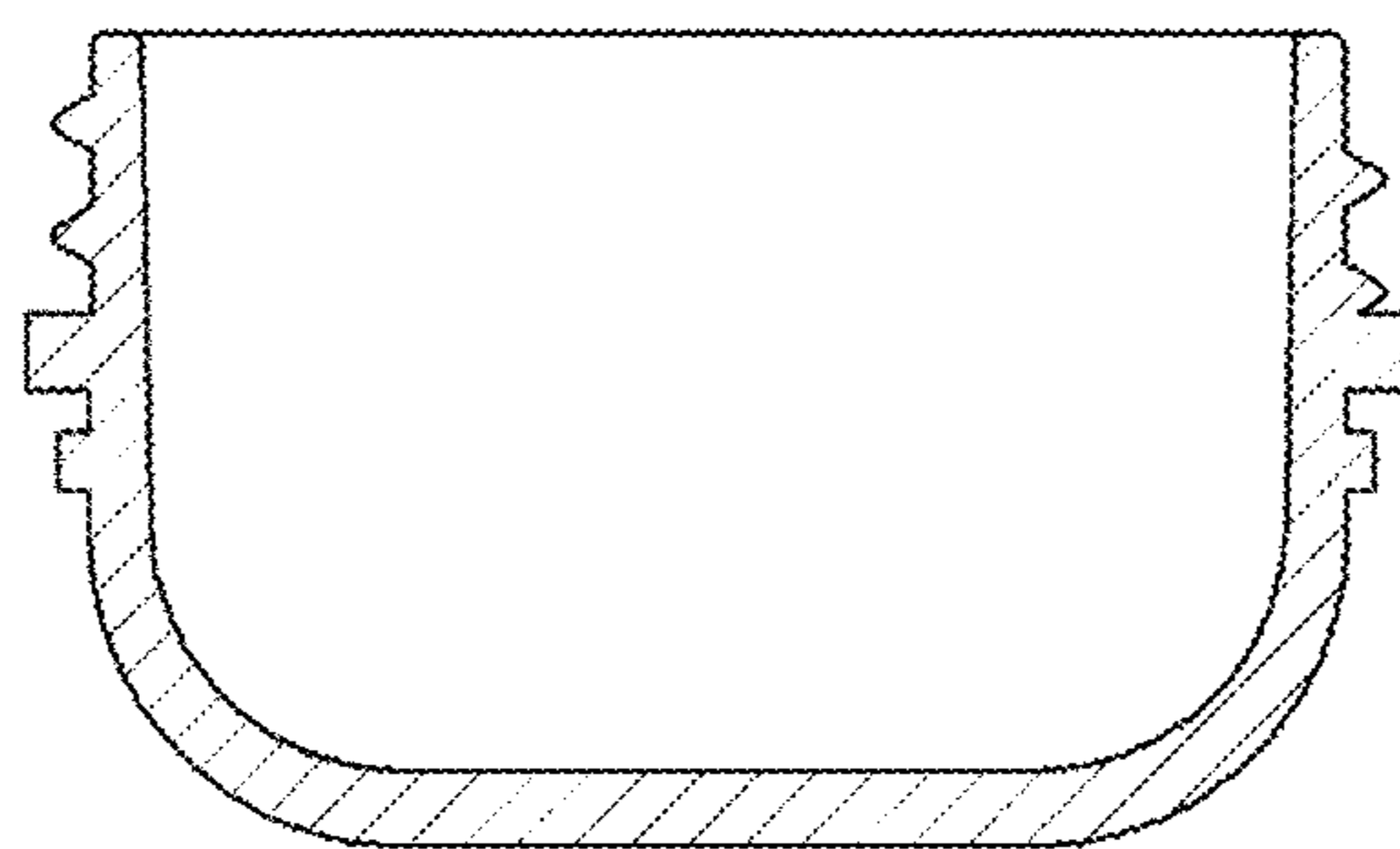


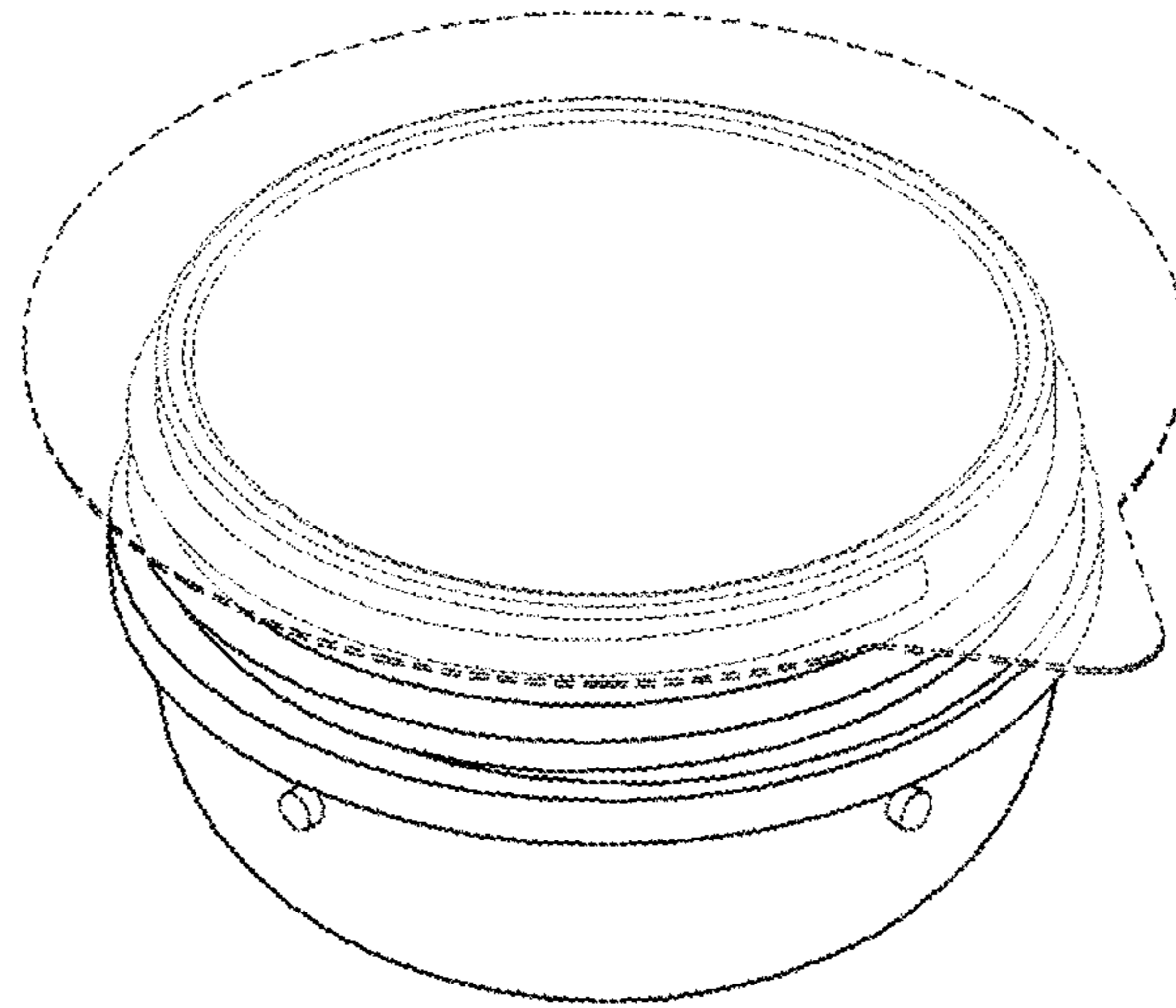
FIG. 7



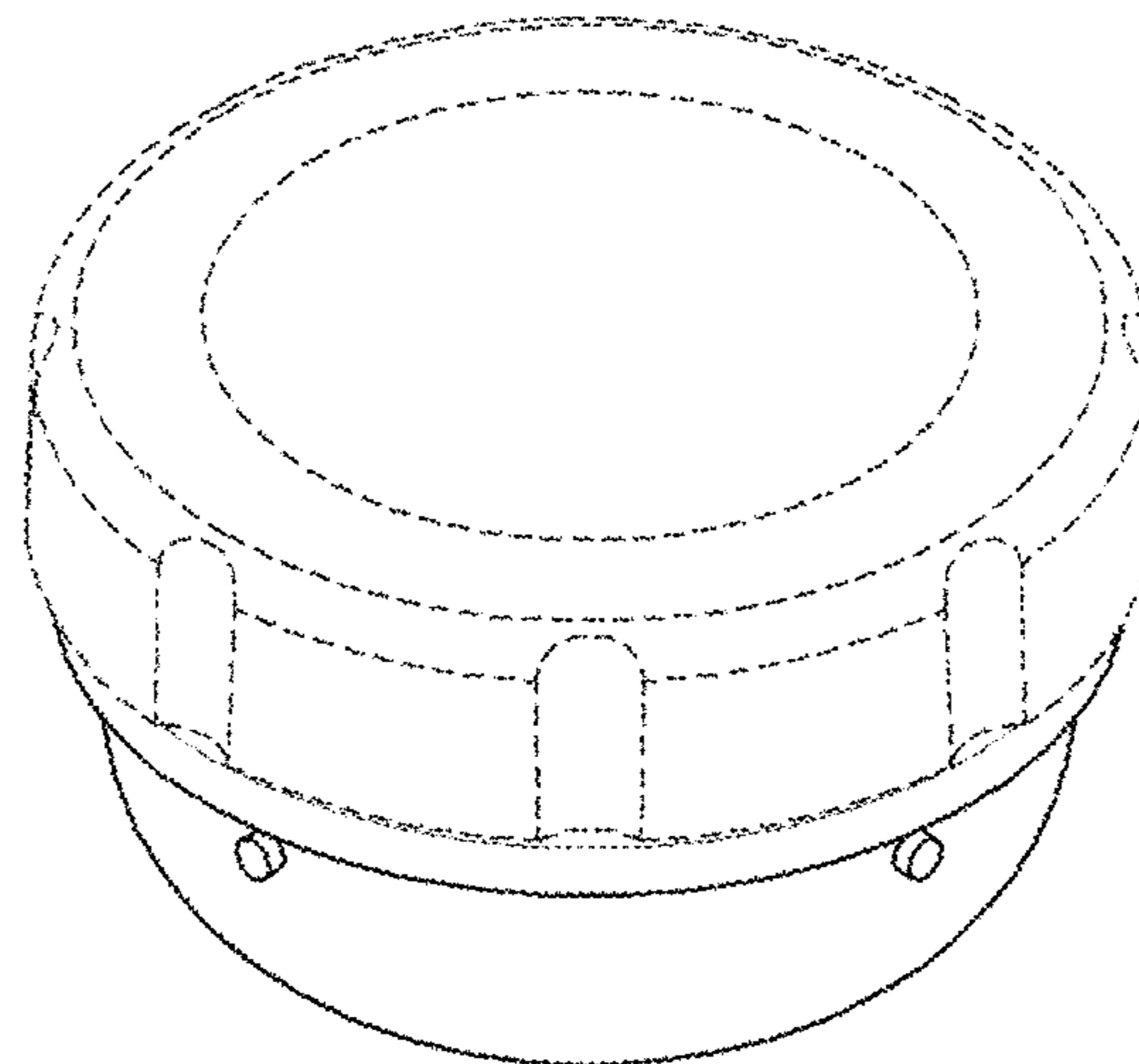
**FIG. 8**



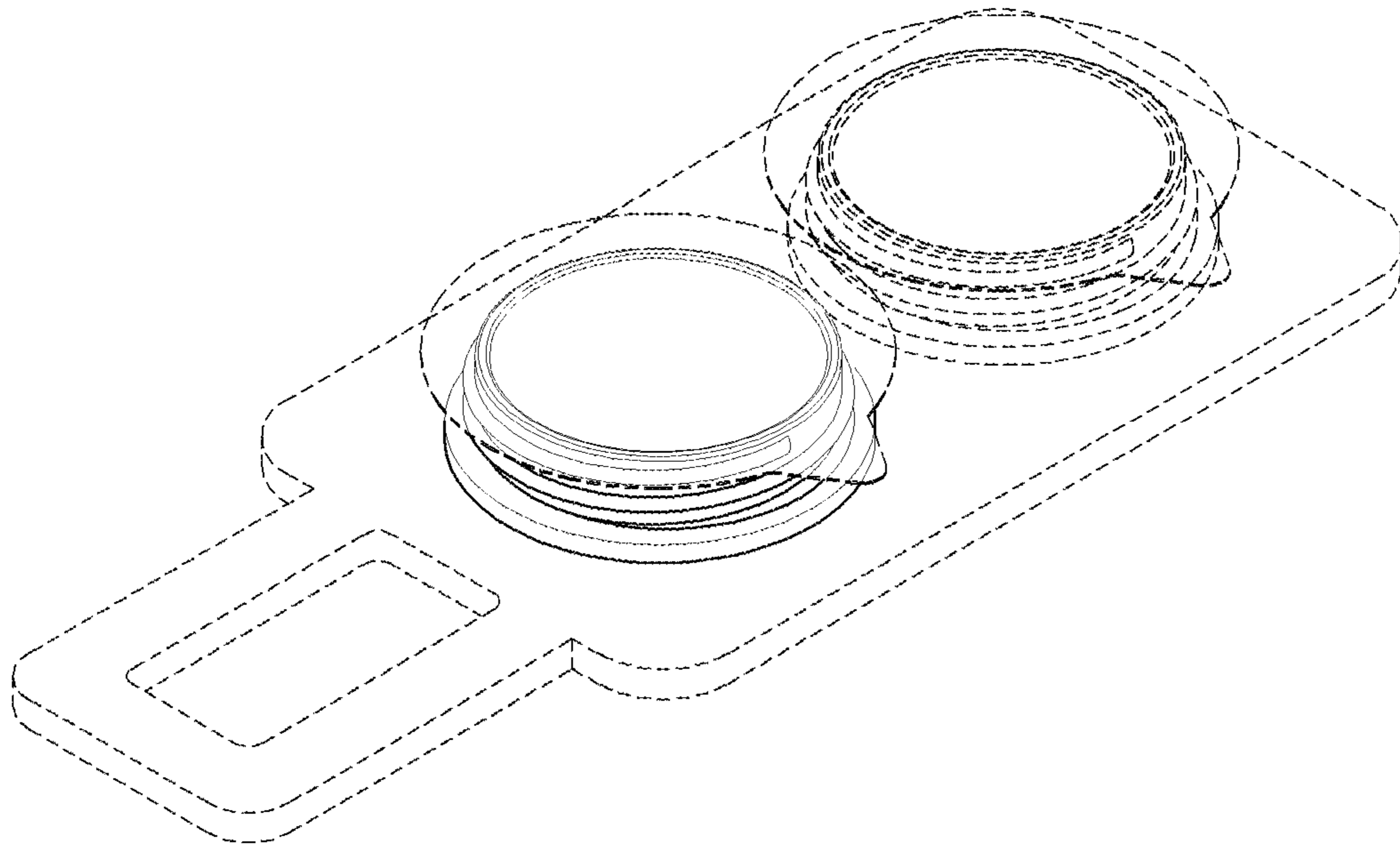
**FIG. 9**



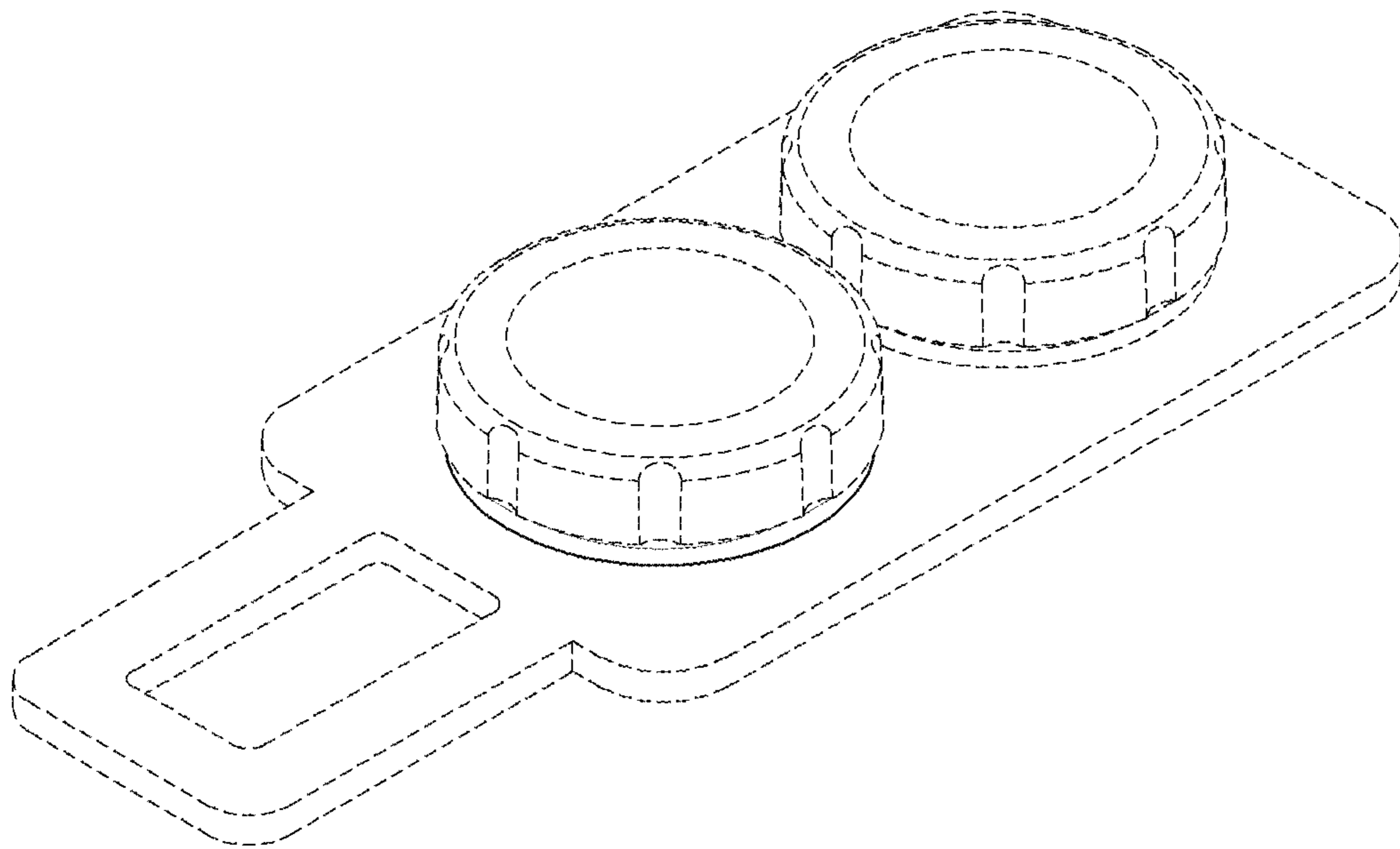
**FIG. 10**



**FIG. 11**



**FIG. 12**



**FIG. 13**