



US00D912981S

(12) **United States Design Patent**
Kim

(10) **Patent No.:** **US D912,981 S**
(45) **Date of Patent:** **** Mar. 16, 2021**

(54) **STORAGE CONTAINER FOR CONTACT LENS**

D266,649 S * 10/1982 Plewes D9/454
D267,652 S * 1/1983 Thomas 206/5.1
4,415,076 A * 11/1983 Campbell A45C 11/005
134/137

(71) Applicant: **Da-Young Kim**, Daegu (KR)

(Continued)

(72) Inventor: **Da-Young Kim**, Daegu (KR)

Primary Examiner — T Chase Nelson

(**) Term: **15 Years**

(74) *Attorney, Agent, or Firm* — Novick, Kim & Lee, PLLC; Jae Youn Kim; Hyun Woo Shin

(21) Appl. No.: **29/692,681**

(57) **CLAIM**

(22) Filed: **May 28, 2019**

I claim, the ornamental design for a storage container for contact lens, as shown and described.

(51) **LOC (13) Cl.** **03-01**

(52) **U.S. Cl.**
USPC **D3/264**

DESCRIPTION

(58) **Field of Classification Search**
USPC D3/207, 215, 219, 229, 263–266, 299,
D3/211; D12/417; D16/330, 339;
24/3.3, 3.7, 3.8, 563; 206/5, 5.1, 6;
248/902; 351/112, 155; D9/435, 452,
D9/454
CPC A45C 11/04; A45C 11/005; A47F 7/02;
A47F 7/021
See application file for complete search history.

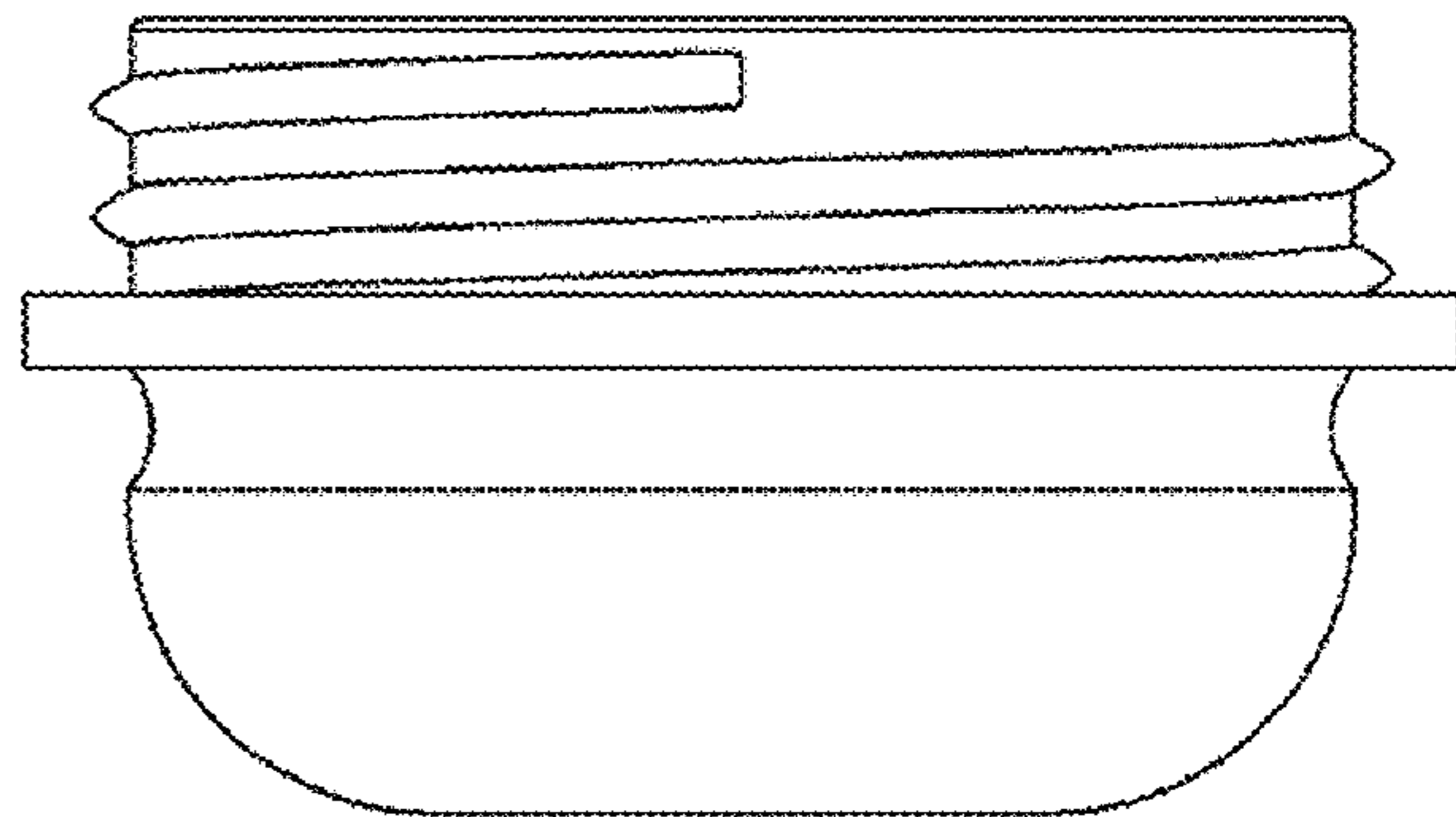
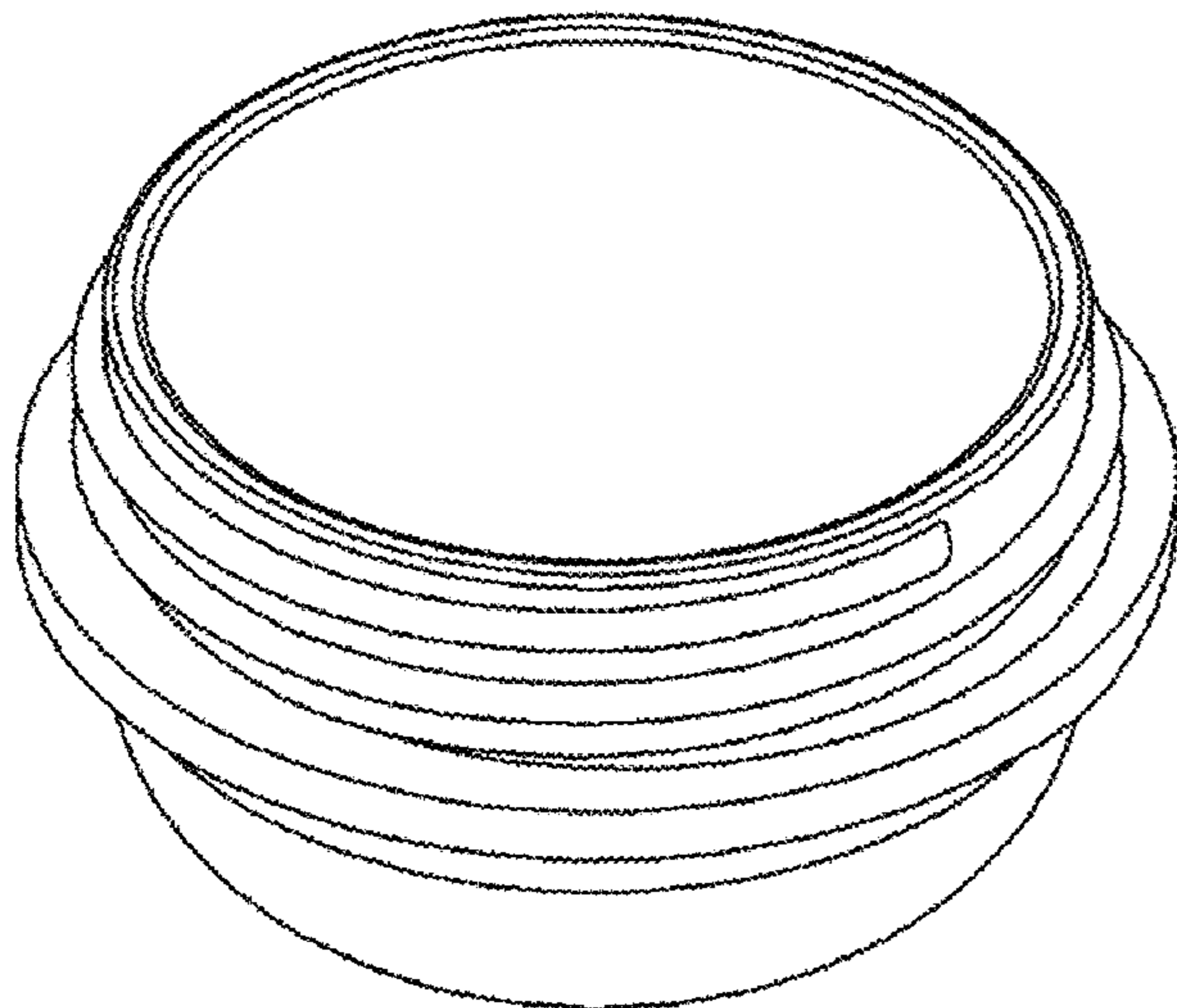
FIG. 1 is a top perspective view of a storage container for contact lens, showing my new design;
FIG. 2 is a front elevational view thereof;
FIG. 3 is a rear elevational view thereof;
FIG. 4 is a left side elevational view thereof;
FIG. 5 is a right side elevational view thereof;
FIG. 6 is a top plan view thereof;
FIG. 7 is a bottom plan view thereof;
FIG. 8 is a bottom perspective view thereof;
FIG. 9 is a sectional view thereof taken along line 9-9 of FIG. 6;
FIG. 10 is a reference view thereof showing a configuration of use covered by a packing wrap;
FIG. 11 is a reference view thereof showing another configuration of use covered by a cap;
FIG. 12 is a reference view of the storage container for contact lens with the covering shown in FIG. 10 and with the storage container placed on a storage case; and,
FIG. 13 is a reference view of the storage container for contact lens with the covering shown in FIG. 11 and with the storage container placed on a storage case.
The broken lines shown in the drawings show environmental structure and multiplied storage containers, none of which form a part of the claimed design.

(56) **References Cited**

U.S. PATENT DOCUMENTS

D59,596 S * 11/1921 Hyatt D9/452
D117,705 S * 11/1939 Abrams D9/746
2,586,740 A * 2/1952 Swanson A45F 5/02
224/667
D173,295 S * 10/1954 Wantz D3/266
2,739,698 A * 3/1956 Baratelli A45C 11/04
206/5
D188,393 S * 7/1960 Fagan D3/264
D204,641 S * 5/1966 Bingham D3/229
D217,136 S * 4/1970 Howard et al. D9/452
D245,371 S * 8/1977 Mowry D3/207
D258,850 S * 4/1981 Brentini D3/207
D263,119 S * 2/1982 Oshita D9/503
4,324,121 A * 4/1982 Richter A44B 15/00
70/459

1 Claim, 6 Drawing Sheets



(56)

References Cited

U.S. PATENT DOCUMENTS

4,444,307	A *	4/1984	Jermyn	A45C 11/005				
						134/901			
D285,744	S *	9/1986	Vinot	D3/264				
D286,465	S *	11/1986	Attwood	D3/207				
4,653,711	A *	3/1987	Marshell	B60K 15/0406				
						220/744			
D289,922	S *	5/1987	Jermyn	D24/218				
D289,923	S *	5/1987	Hoogesteger	D24/218				
5,277,324	A *	1/1994	Cash	B65D 23/065				
						215/275			
D358,477	S *	5/1995	De Meo	D3/264				
D371,678	S *	7/1996	Borghorst	D3/263				
5,620,088	A *	4/1997	Martin	B65B 25/008				
						206/5.1			
D381,259	S *	7/1997	Hayes	D9/454				
D385,414	S *	10/1997	Siu	D3/207				
5,695,049	A *	12/1997	Bauman	A45C 11/005				
						206/5.1			
D388,603	S *	1/1998	Fortune	D3/215				
D392,046	S *	3/1998	Niedospial, Jr.	D24/224				
D429,153	S *	8/2000	Gabriel	D9/447				
D435,961	S *	1/2001	Weinstock	D3/215				
D435,966	S *	1/2001	Duis	D3/264				
D441,284	S *	5/2001	Saur	D3/264				
6,244,430	B1 *	6/2001	Travis	A44B 15/005				
						206/205			
6,435,339	B1 *	8/2002	Kroupa	A45C 11/005				
						206/38			
D471,357	S *	3/2003	Hoppe	D3/266				
D500,589	S *	1/2005	Schmitz	D3/207				
6,837,472	B1 *	1/2005	Beutz	A45F 3/16				
						224/148.4			
D511,893	S *	11/2005	Chou	D3/263				
D512,217	S *	12/2005	Chou	D3/263				
D519,372	S *	4/2006	Hsieh; Yim	D6/542				
7,086,526	B2 *	8/2006	Newman	A45C 11/005				
						206/5.1			
D534,076	S *	12/2006	Green	A45D 40/0068				
						D9/435			
D540,173	S *	4/2007	Obuchi	D9/452				
D543,103	S *	5/2007	Roche	D3/264				
D551,448	S *	9/2007	Stull	D3/264				
D560,120	S *	1/2008	Maravich	D9/453				
D584,043	S *	1/2009	Baskett	D22/134				
D616,198	S *	5/2010	Liu	D3/264				
D626,409	S *	11/2010	Hooley	D9/434				
D652,310	S *	1/2012	Hartford	D9/544				
D659,003	S *	5/2012	Knox	D9/529				
D682,042	S *	5/2013	Sanders	D7/619.2				
D684,015	S *	6/2013	Sanders	D7/619.2				
D688,530	S *	8/2013	Sanders	D7/619.2				
D690,561	S *	10/2013	Sanders	D7/619.1				
8,596,782	B2 *	12/2013	Matsuzawa	A61L 2/26				
						351/159.33			
D704,440	S *	5/2014	Kroupa	D3/264				
D714,052	S *	9/2014	Priebe	D3/264				
D751,399	S *	3/2016	Lynd	D9/454				
D755,516	S *	5/2016	Krenkler	D3/264				
D759,488	S *	6/2016	Gibson	D9/454				
D778,594	S *	2/2017	Sanders	D3/207				
D784,694	S *	4/2017	Priebe	D3/264				
D796,952	S *	9/2017	Katopis	D9/451				
D818,309	S *	5/2018	Jasso Gomez	D7/392.1				
D820,086	S *	6/2018	Lynd	D9/454				
D842,111	S *	3/2019	Delia	D9/504				
D853,215	S *	7/2019	Bellamy, Sr.	D8/40				
D860,637	S *	9/2019	Sanders	D3/207				
D866,334	S *	11/2019	Wieland	D9/504				
D891,770	S *	8/2020	Gagnon	D3/264				
D891,927	S *	8/2020	Zhu	D9/503				
D892,493	S *	8/2020	Carson	D3/207				
D892,620	S *	8/2020	Kaye	D9/500				
D893,246	S *	8/2020	Monaghan	D7/396.2				
2002/0020634	A1 *	2/2002	Fortune	A45C 11/005				
						206/5.1			
2004/0140229	A1 *	7/2004	Borovsky	A45C 11/005				
						206/5.1			
2006/0011496	A1 *	1/2006	Mangabeira Nunez	A45C 11/005				
						206/5.1			
2006/0219577	A1 *	10/2006	Newman	B65D 77/02				
						206/5.1			
2006/0237335	A1 *	10/2006	Py	A45C 11/005				
						206/5.1			
2007/0000792	A1 *	1/2007	Newman	B65D 83/0418				
						206/5.1			
2007/0170075	A1 *	7/2007	Winters	A45C 11/005				
						206/5.1			
2009/0057167	A1 *	3/2009	Rathert	A61F 2/1691				
						206/205			
2010/0122917	A1 *	5/2010	Azera	A45C 11/046				
						206/5.1			
2011/0017243	A1 *	1/2011	Voss	A45C 11/005				
						134/42			
2011/0073497	A1 *	3/2011	Kanner	A45C 11/005				
						206/5.1			
2011/0303562	A1 *	12/2011	Franklin	A45C 15/04				
						206/223			
2012/0193245	A1 *	8/2012	Wright	A45C 11/005				
						206/5.1			
2013/0220840	A1 *	8/2013	Priebe	A45C 11/005				
						206/5.1			
2014/0262844	A1 *	9/2014	Barre	B65D 81/22				
						206/5.1			
2017/0065045	A1 *	3/2017	Lin	A45C 11/005				
2017/0165901	A1 *	6/2017	Fischer	B29C 66/53461				
2019/0046353	A1 *	2/2019	Greenwood	A45C 11/005				
2019/0281936	A1 *	9/2019	Lamrani	A61B 5/6821				

* cited by examiner

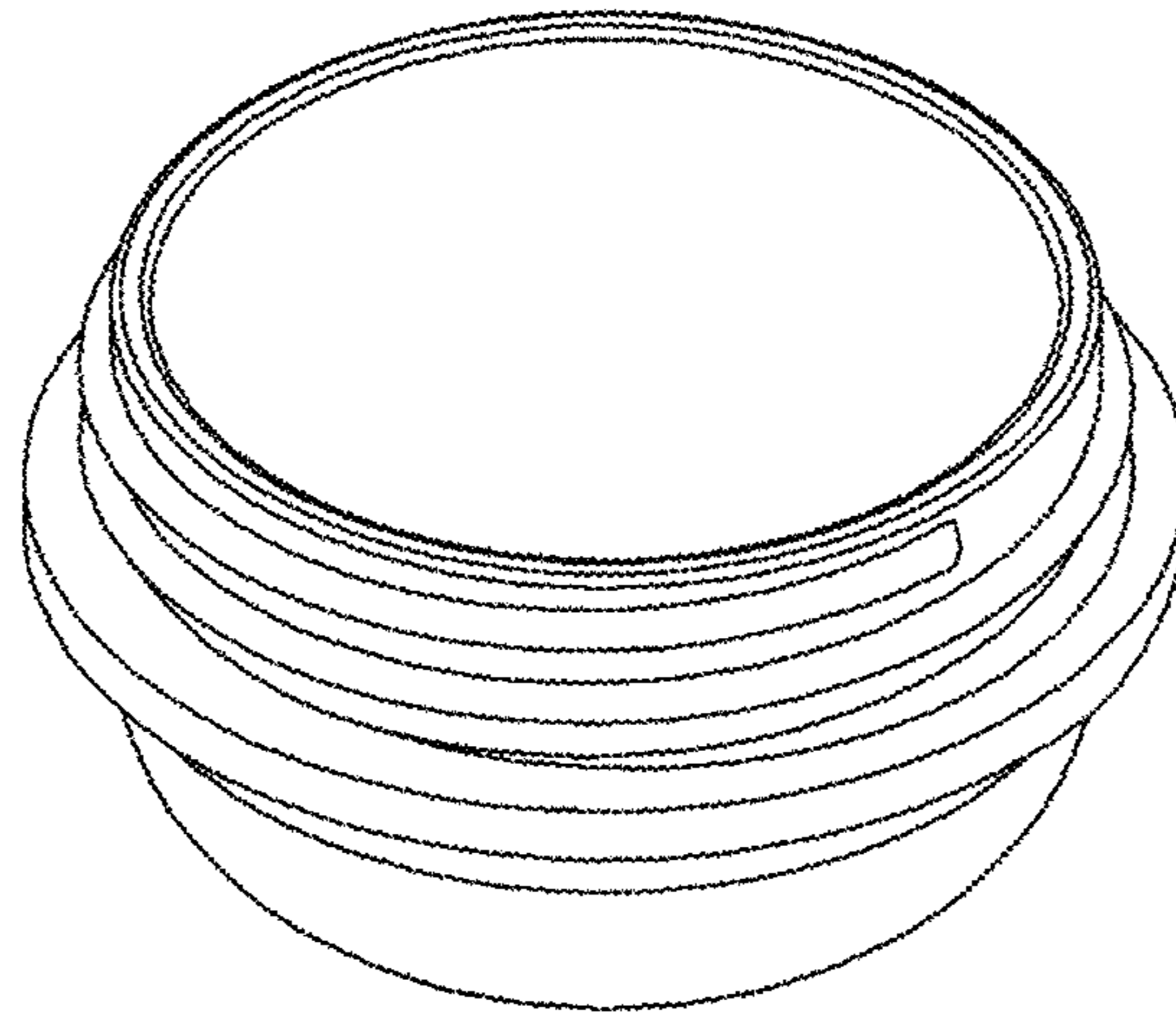


FIG. 1

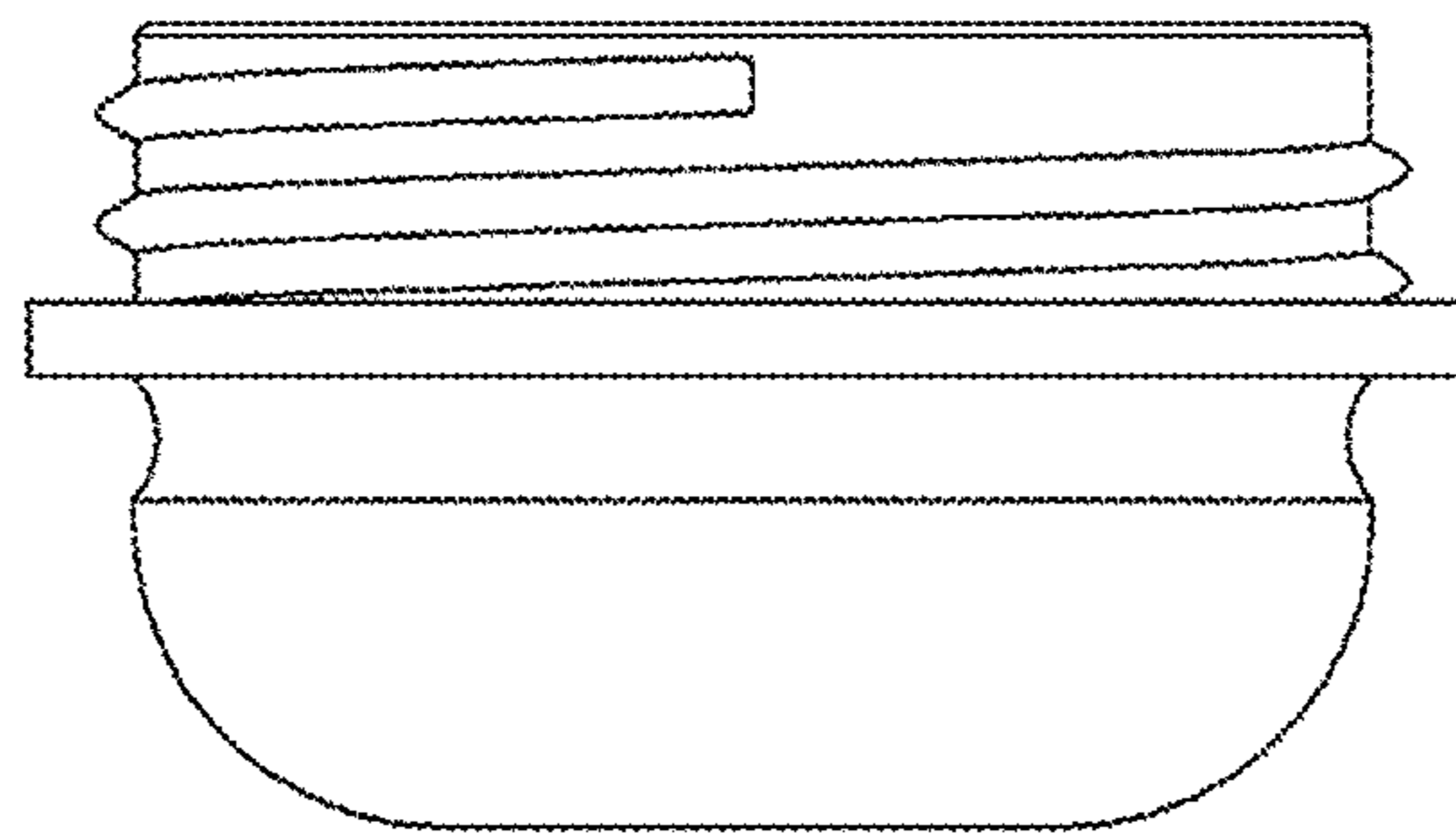


FIG. 2

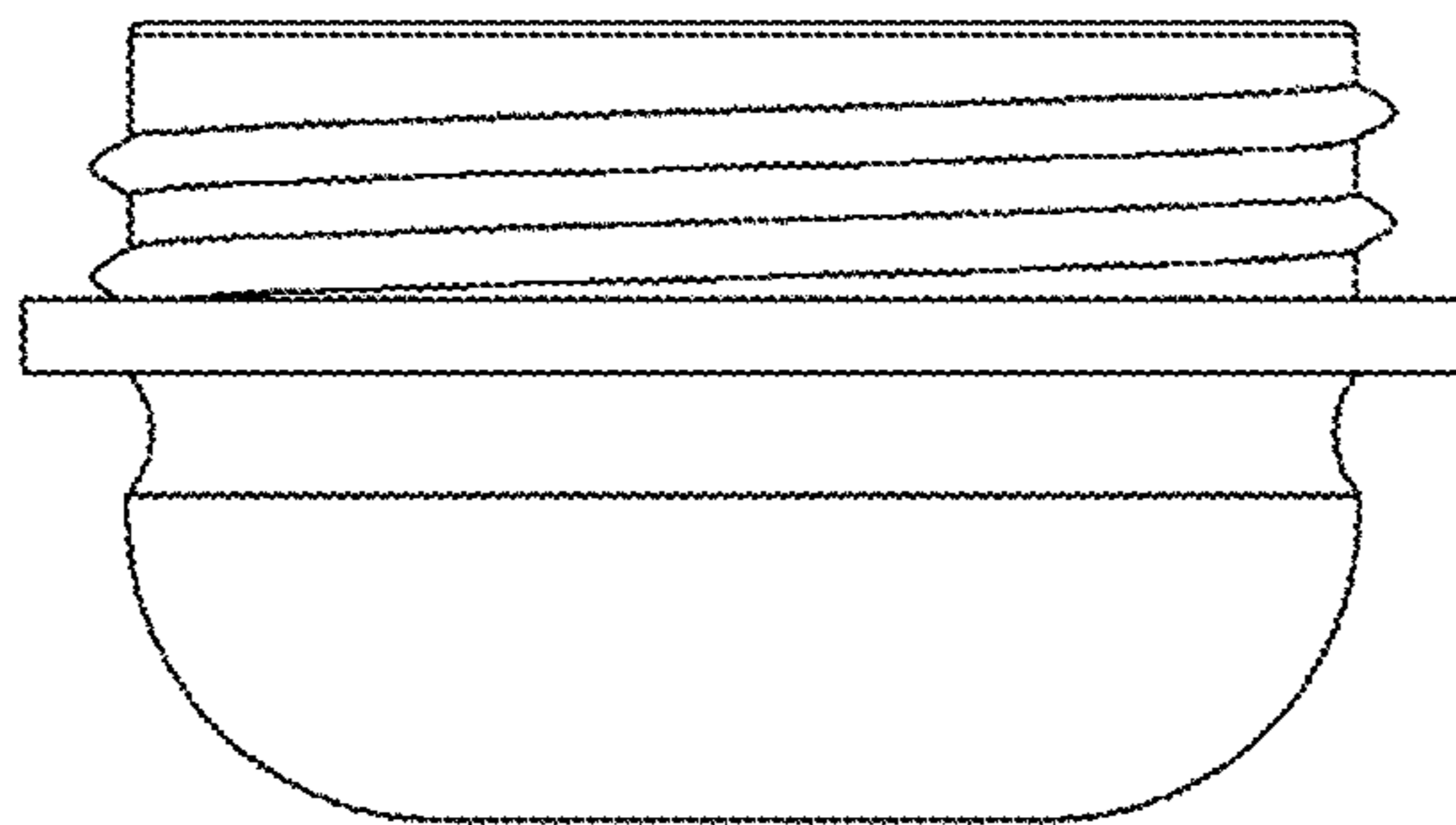


FIG. 3

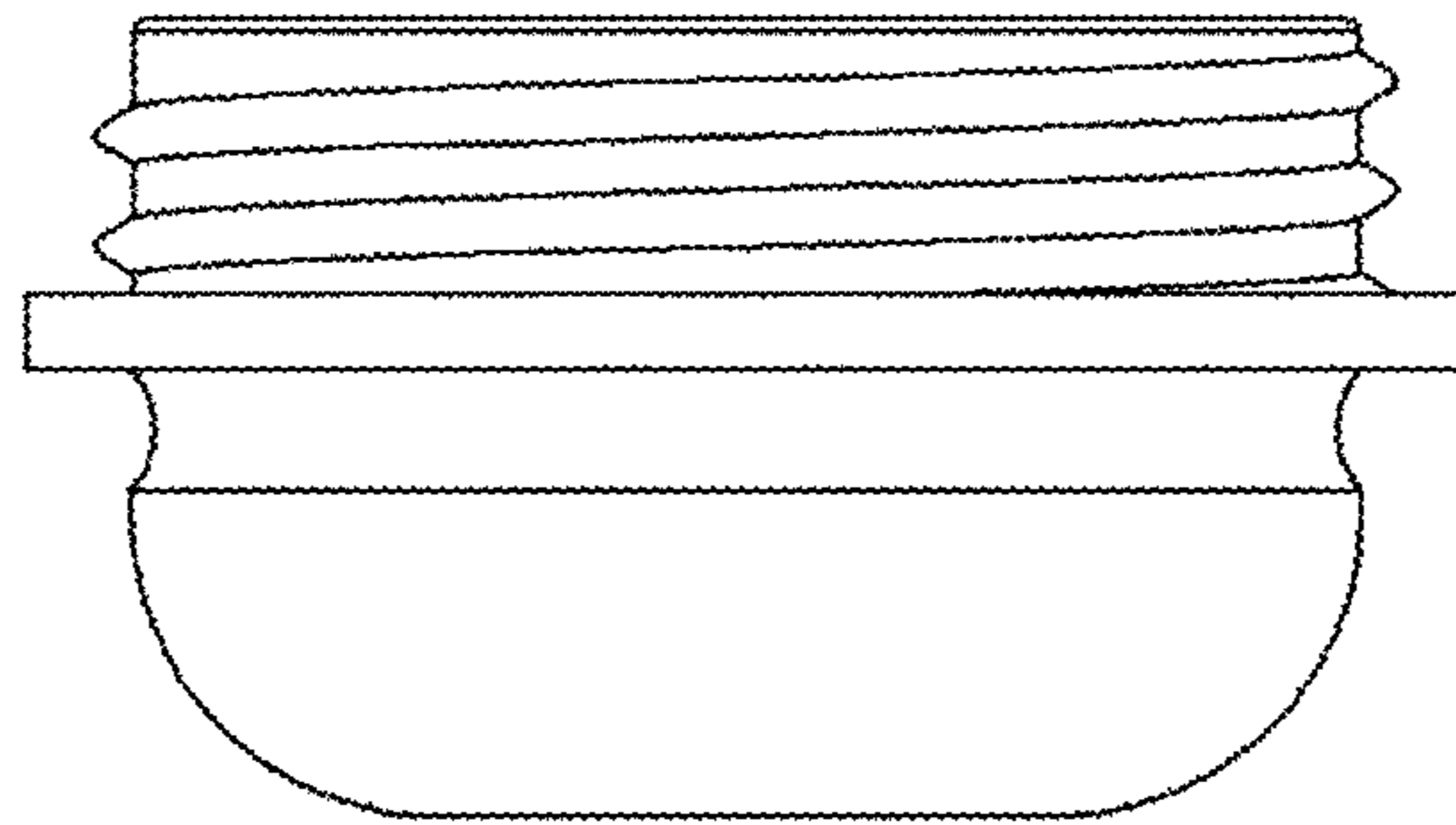


FIG. 4

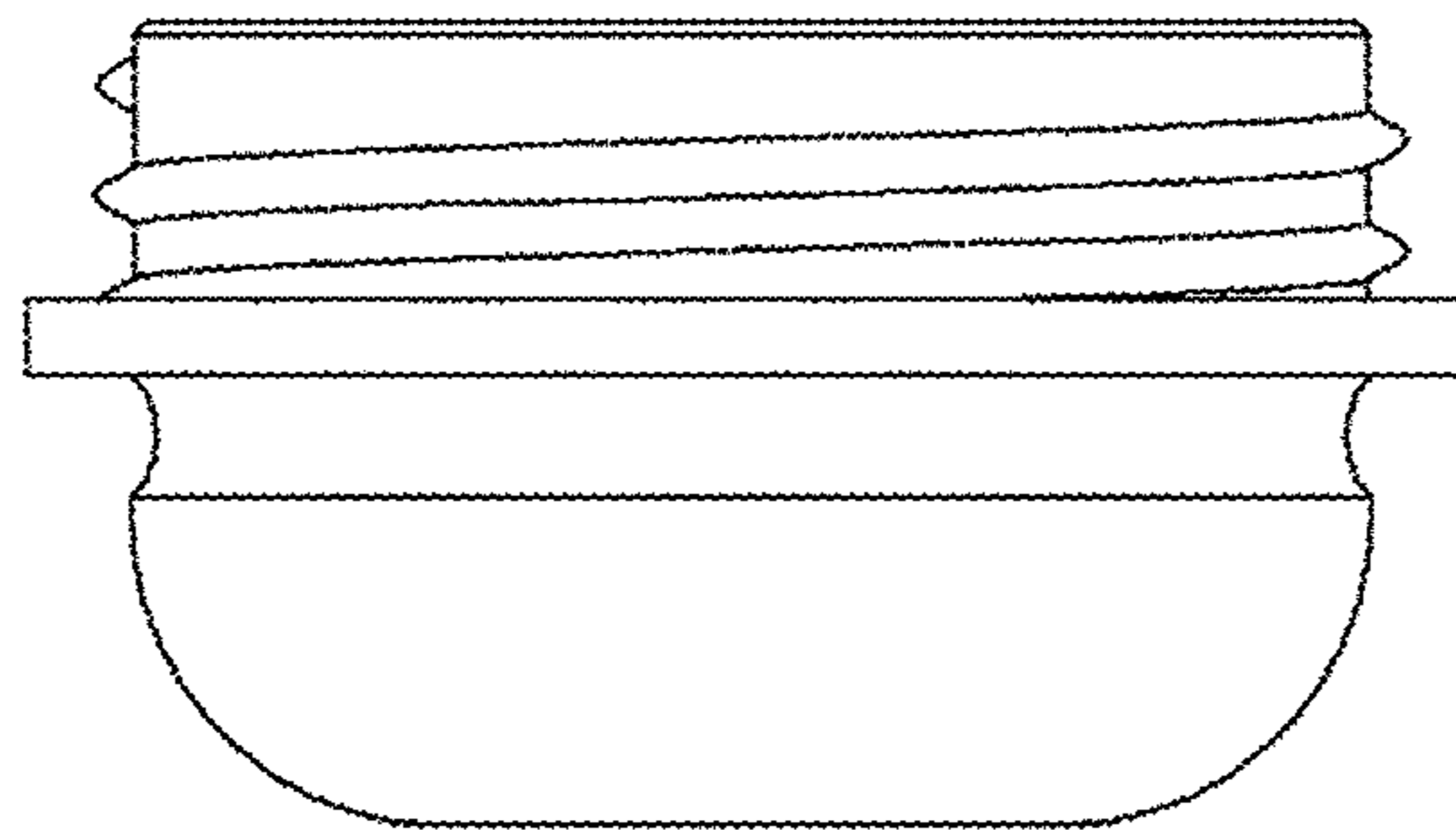


FIG. 5

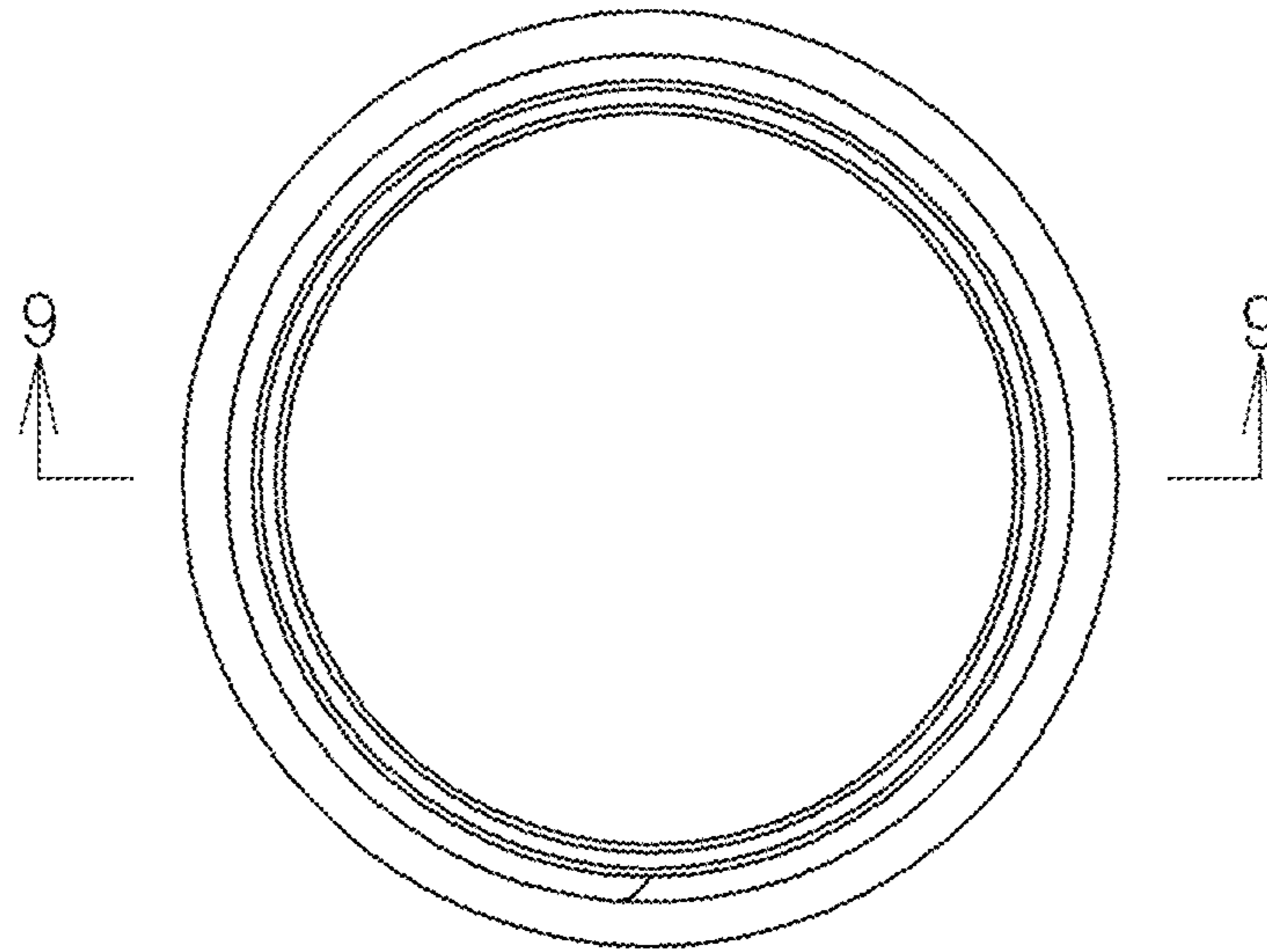


FIG. 6

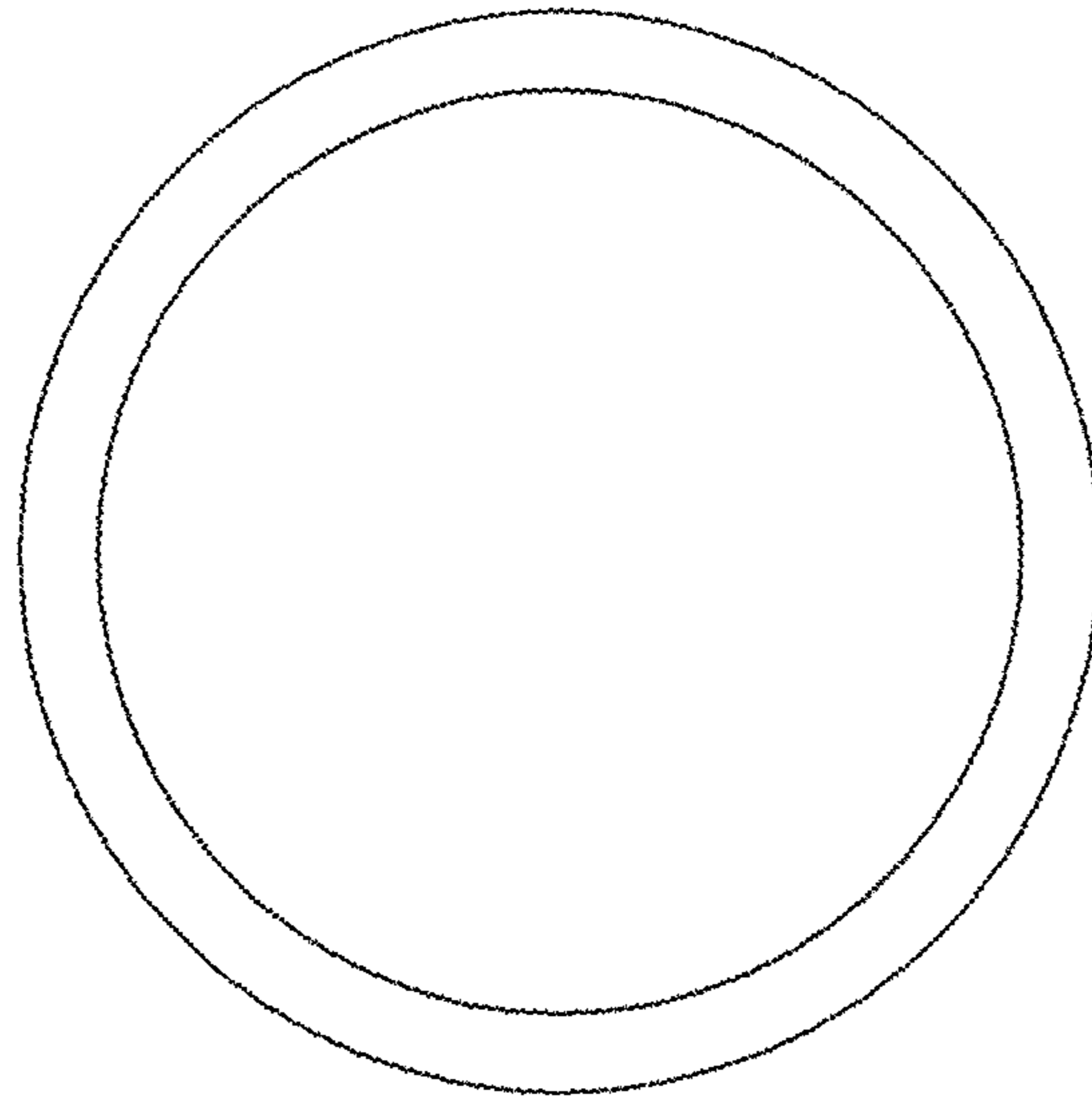


FIG. 7

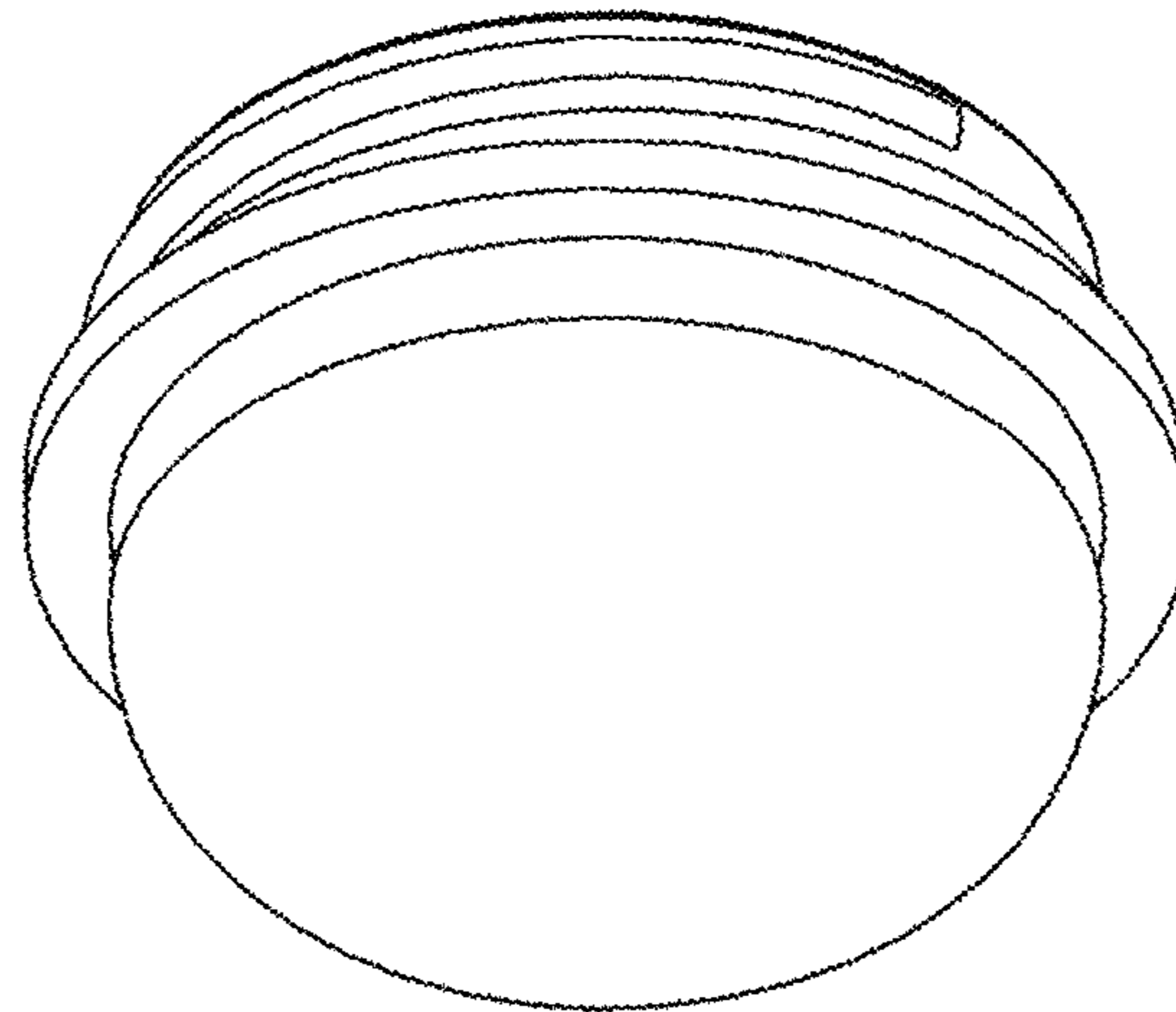


FIG. 8

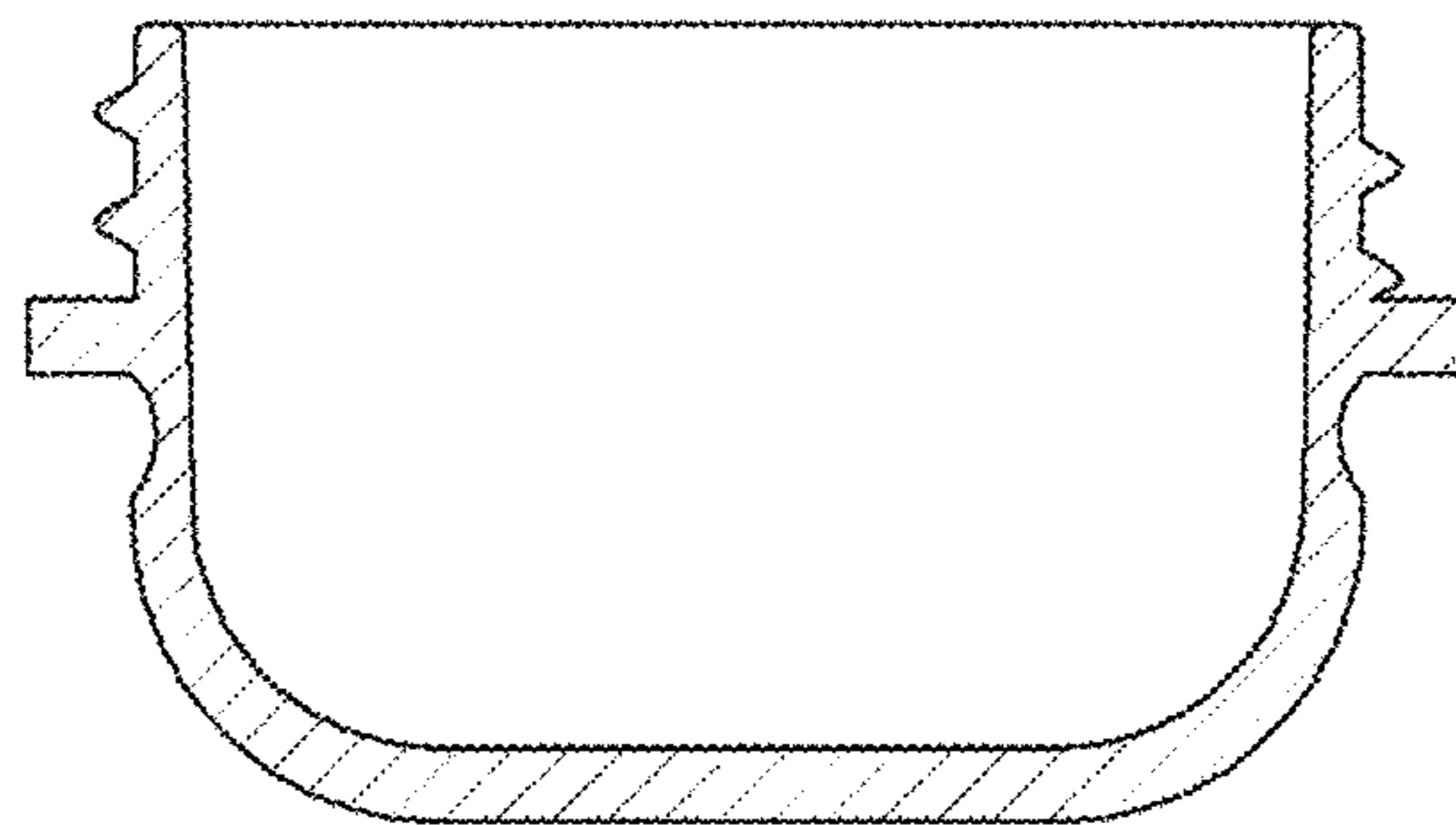


FIG. 9

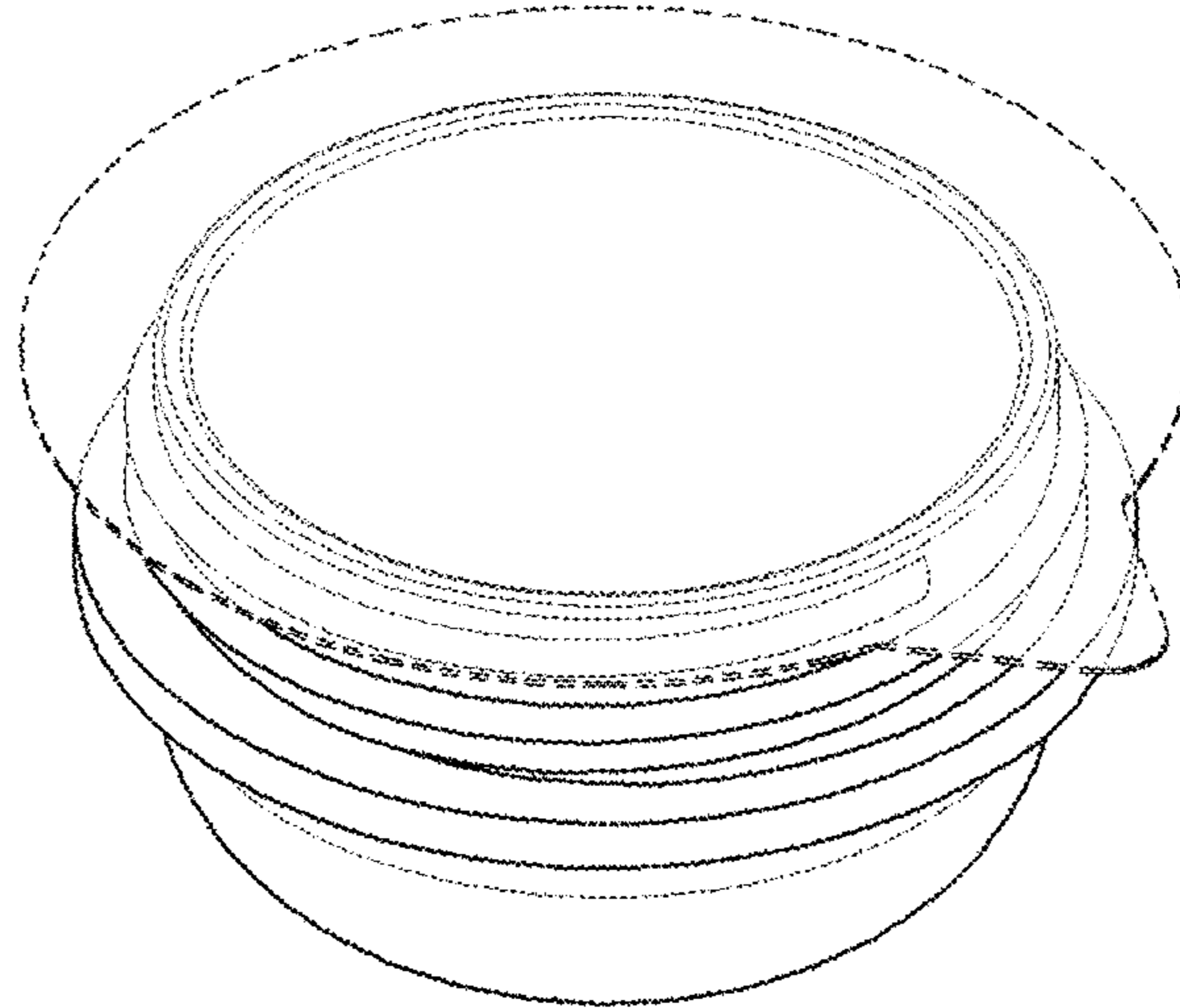


FIG. 10

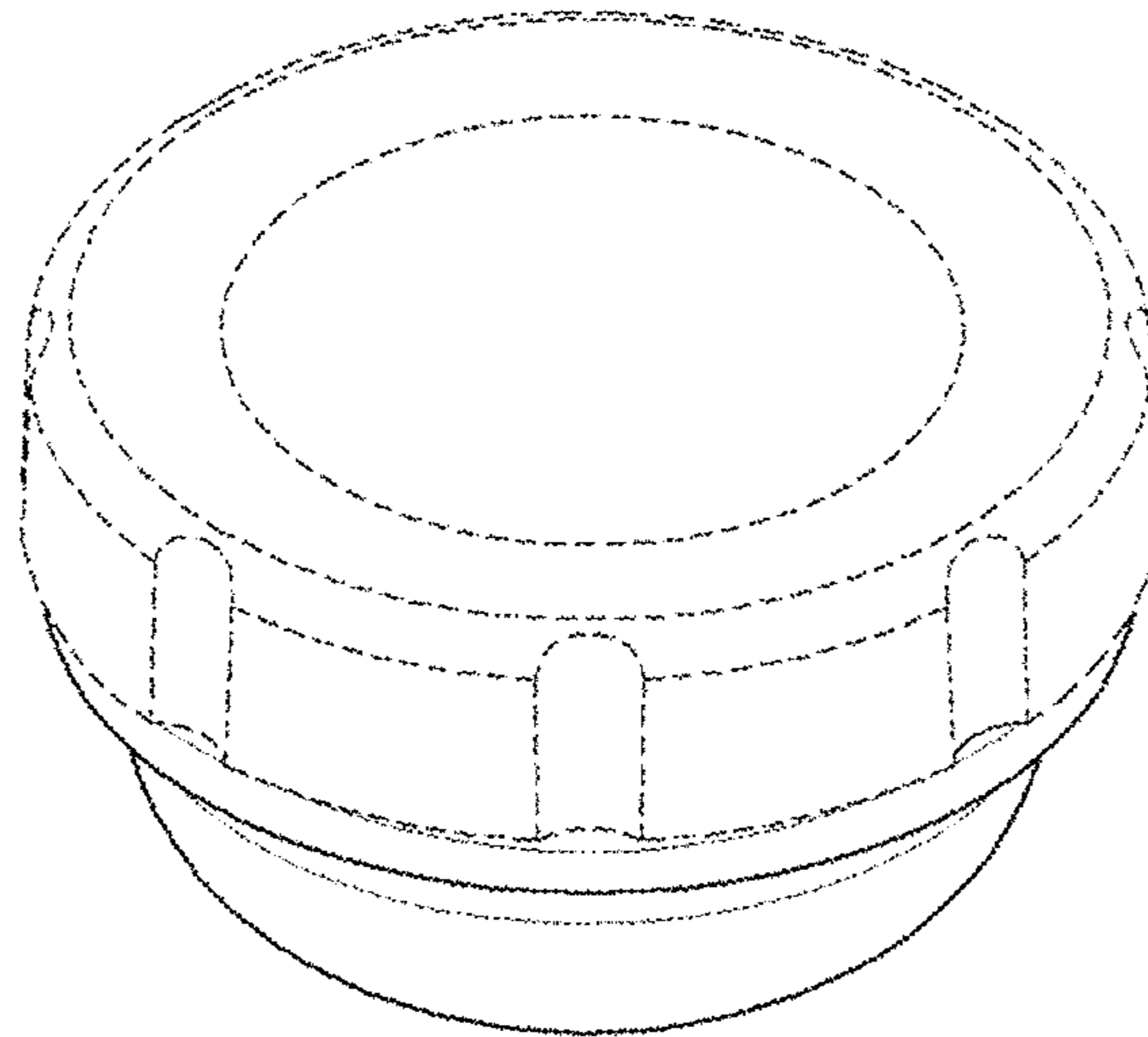


FIG. 11

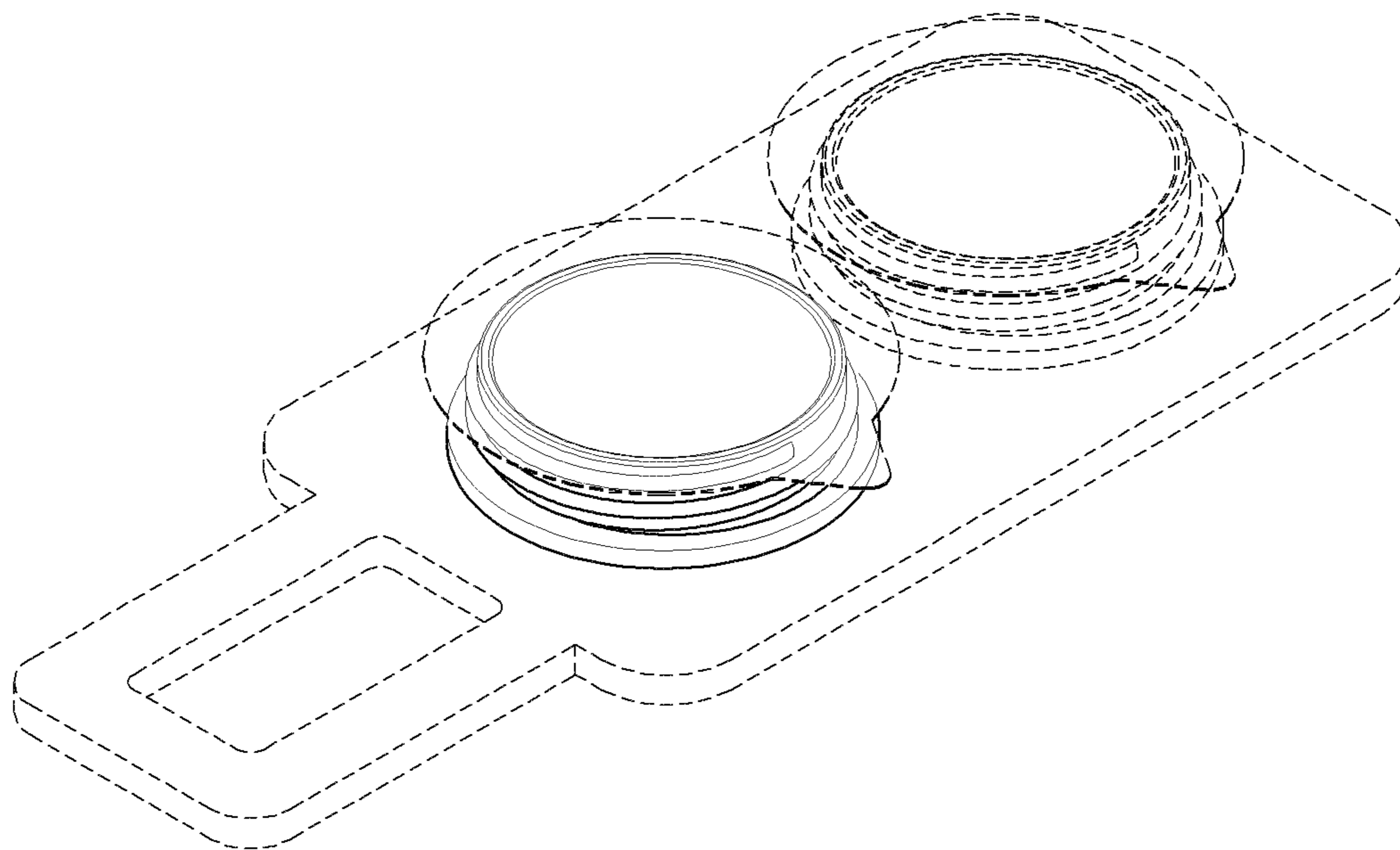


FIG. 12

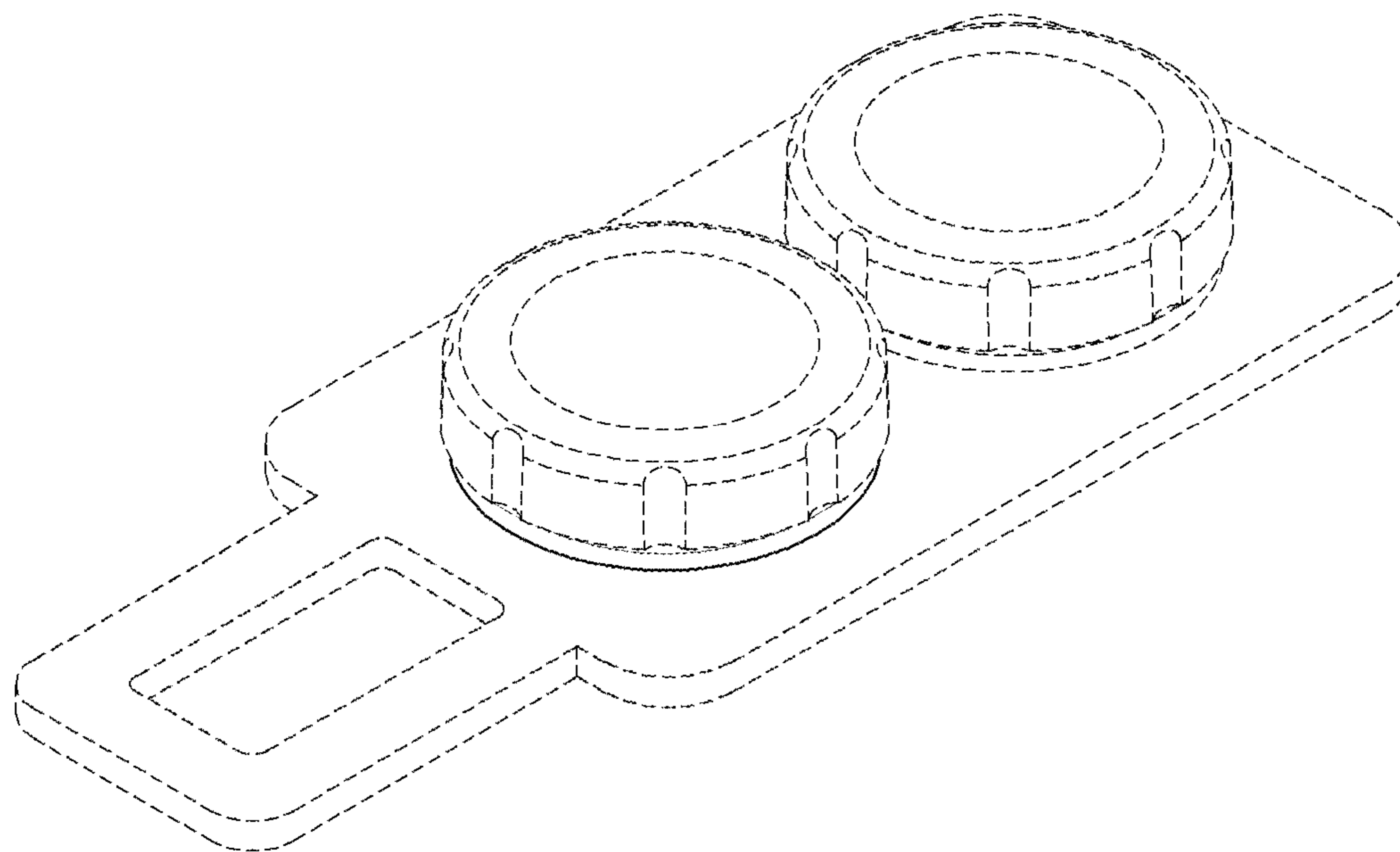


FIG. 13