



US00D912980S

(12) **United States Design Patent**
Broadway

(10) **Patent No.:** **US D912,980 S**

(45) **Date of Patent:** **** Mar. 16, 2021**

(54) **TRI-FOLD WALLET**

(71) Applicant: **Tawanna Broadway**, Jonesboro, AR (US)

(72) Inventor: **Tawanna Broadway**, Jonesboro, AR (US)

(**) Term: **15 Years**

(21) Appl. No.: **29/715,380**

(22) Filed: **Dec. 2, 2019**

(51) **LOC (13) Cl.** **03-01**

(52) **U.S. Cl.**
USPC **D3/250**

(58) **Field of Classification Search**
USPC D3/247, 249–253

(Continued)

(56) **References Cited**

U.S. PATENT DOCUMENTS

- 966,352 A * 8/1910 Pemberton A45C 1/06
150/140
- D175,071 S * 7/1955 Griffith D3/250

(Continued)

Primary Examiner — Holly E Thurman

(74) *Attorney, Agent, or Firm* — Rashauna Norment

(57) **CLAIM**

The ornamental design for a tri-fold wallet, as shown and described.

DESCRIPTION

A portion of the disclosure of this patent document contains material which is subject to copyright protection. This patent document may show and/or describe matter which is or may become trade dress of the owner. The copyright and trade

dress owner has no objection to the facsimile reproduction by anyone of the patent disclosure as it appears in the Patent and Trademark Office patent files or records, but otherwise reserves all copyright and trade dress rights whatsoever.

FIG. 1 is a perspective view of a tri-fold wallet, showing my new design;

FIG. 2 is a front elevation view of FIG. 1 thereof;

FIG. 3 is a first side elevation view of FIG. 1 thereof, with a second side elevation view being a mirror image;

FIG. 4 is a rear elevation view of FIG. 1 thereof;

FIG. 5 is a perspective view of another embodiment of the tri-fold wallet of FIG. 1 thereof;

FIG. 6 is a perspective view of another embodiment of the tri-fold wallet of FIGS. 1 and 5 thereof, showing the tri-fold wallet in a closed configuration;

FIG. 7 is a top plan view of FIG. 6 thereof, showing the tri-fold wallet embodiment of FIG. 5 of FIG. 1 thereof;

FIG. 8 is a first side elevation view of FIG. 6 thereof;

FIG. 9 is a second side elevation view of FIG. 6 thereof;

FIG. 10 is a bottom plan view of FIG. 6 thereof;

FIG. 11 is another perspective view of FIG. 6 thereof;

FIG. 12 is a top plan view of an embodiment of FIG. 6 thereof, showing the tri-fold wallet embodiment of FIG. 1;

FIG. 13 is a front elevation view of FIG. 6 thereof;

FIG. 14 is a top plan view of FIG. 6 thereof, showing the tri-fold wallet embodiment of FIG. 1; and,

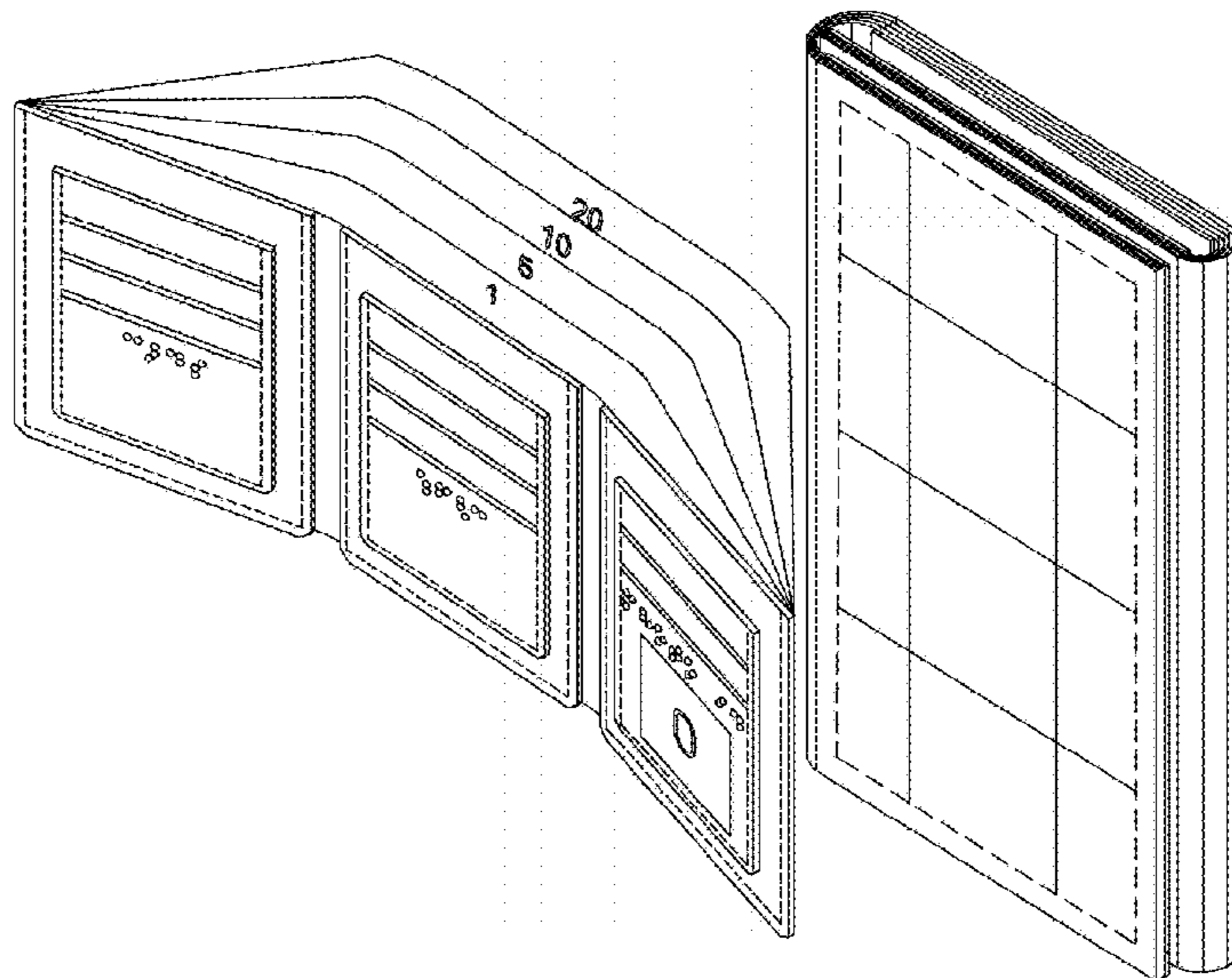
FIG. 15 is a rear elevation view of FIG. 6 thereof.

The first side elevation view, second side elevation view, front elevation view, and rear elevation view shown in FIGS. 2-4 are identical to the corresponding views of the embodiment shown in FIG. 5 and are incorporated herein by reference.

The perspective views, first side elevation, second side elevation view, bottom plan view, front plan view, rear plan view shown in FIGS. 6, 8-11, 13, and 15 are identical to each of the corresponding views of the embodiments shown in FIGS. 7 and 12, respectively, and are incorporated herein by reference.

The dashed lines represent stitching and are part of the claimed design.

1 Claim, 10 Drawing Sheets



(58) **Field of Classification Search**

CPC A45C 1/06; A45C 3/08
See application file for complete search history.

(56) **References Cited**

U.S. PATENT DOCUMENTS

2,732,874	A *	1/1956	Carstensen	A45C 1/06
					150/147
D222,602	S *	11/1971	Petrie	D3/247
3,659,640	A *	5/1972	Fenster	A45C 1/06
					150/147
D703,433	S	4/2014	Morszeck		
D720,530	S	1/2015	Abramson		
D745,273	S	12/2015	Hageman		
D756,116	S	5/2016	McDaniel		
D756,643	S *	5/2016	DeChant	D3/247
D790,853	S *	7/2017	DeChant	D3/247
D797,446	S	9/2017	Kang et al.		
D822,988	S *	7/2018	Taylor	D3/247
D828,025	S *	9/2018	Serman	D3/247

* cited by examiner

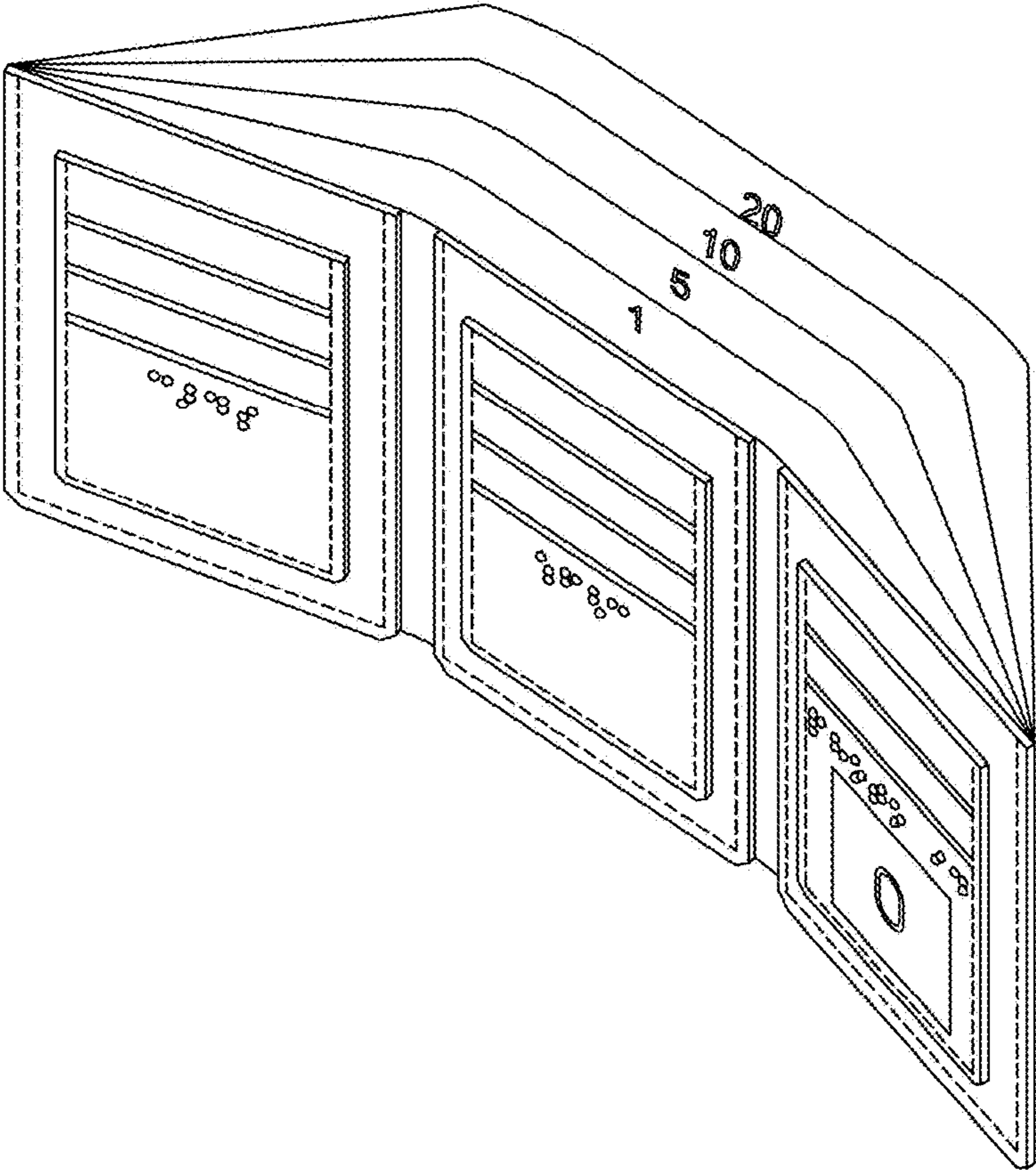


Fig. 1

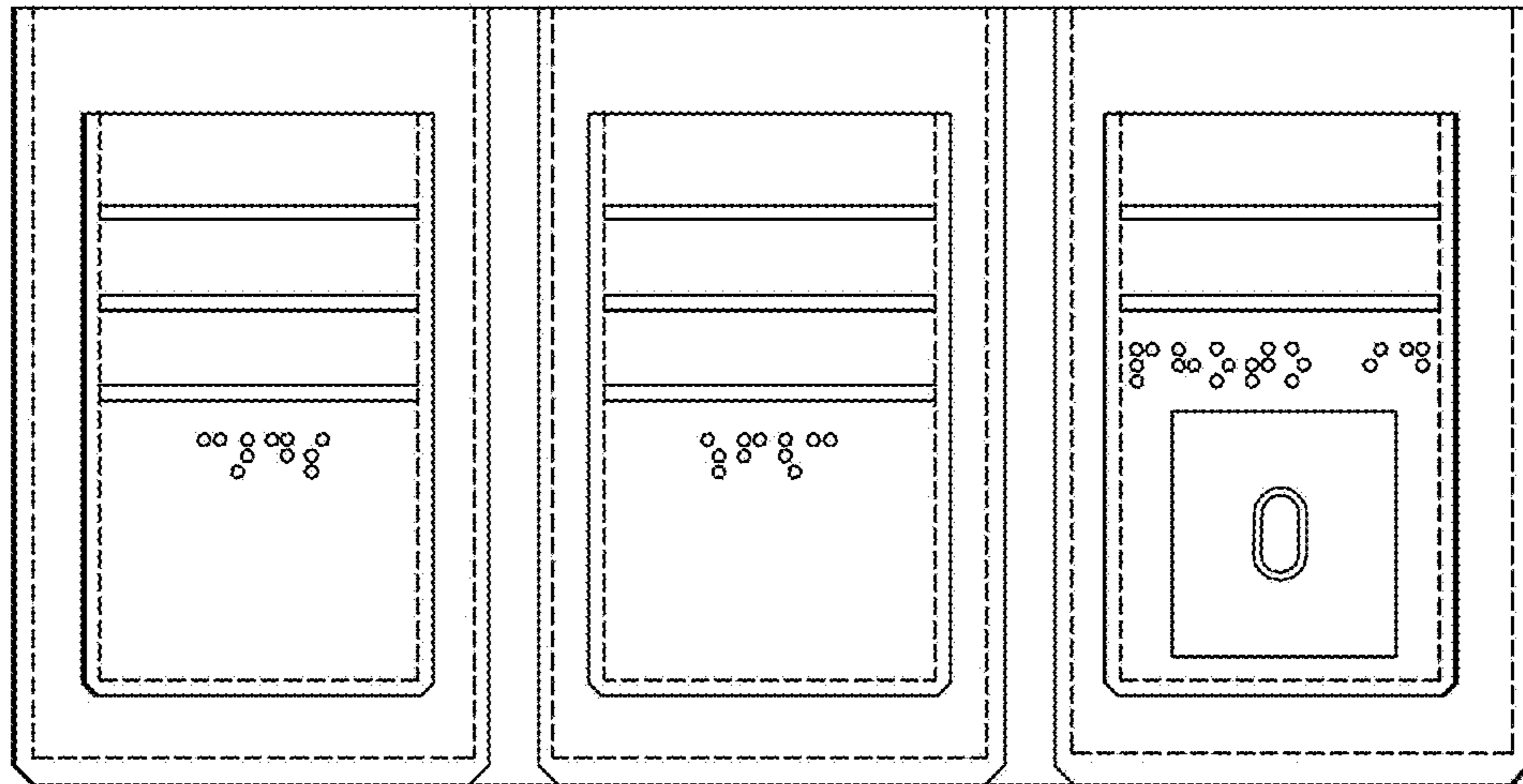


Fig. 2

Fig. 3

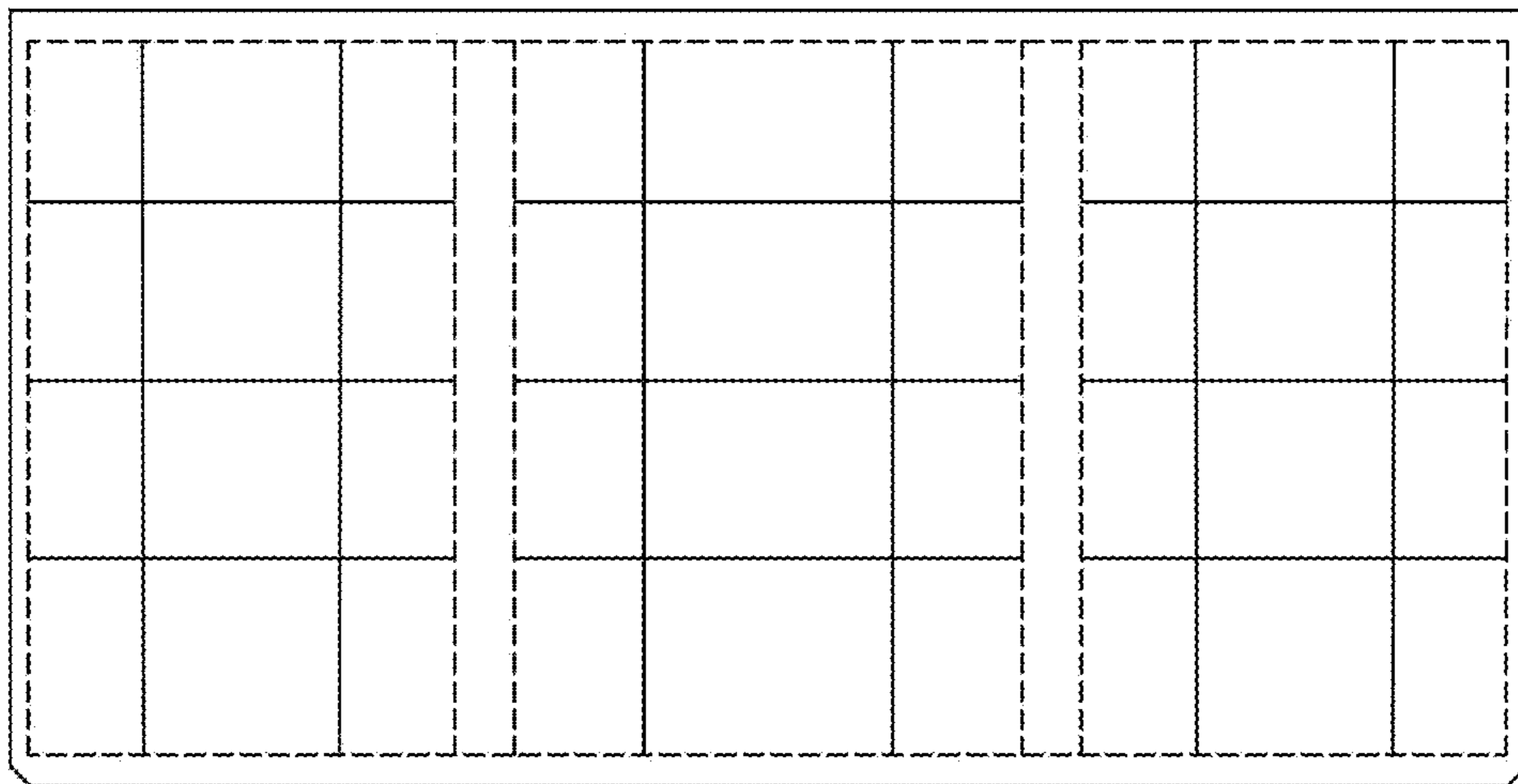
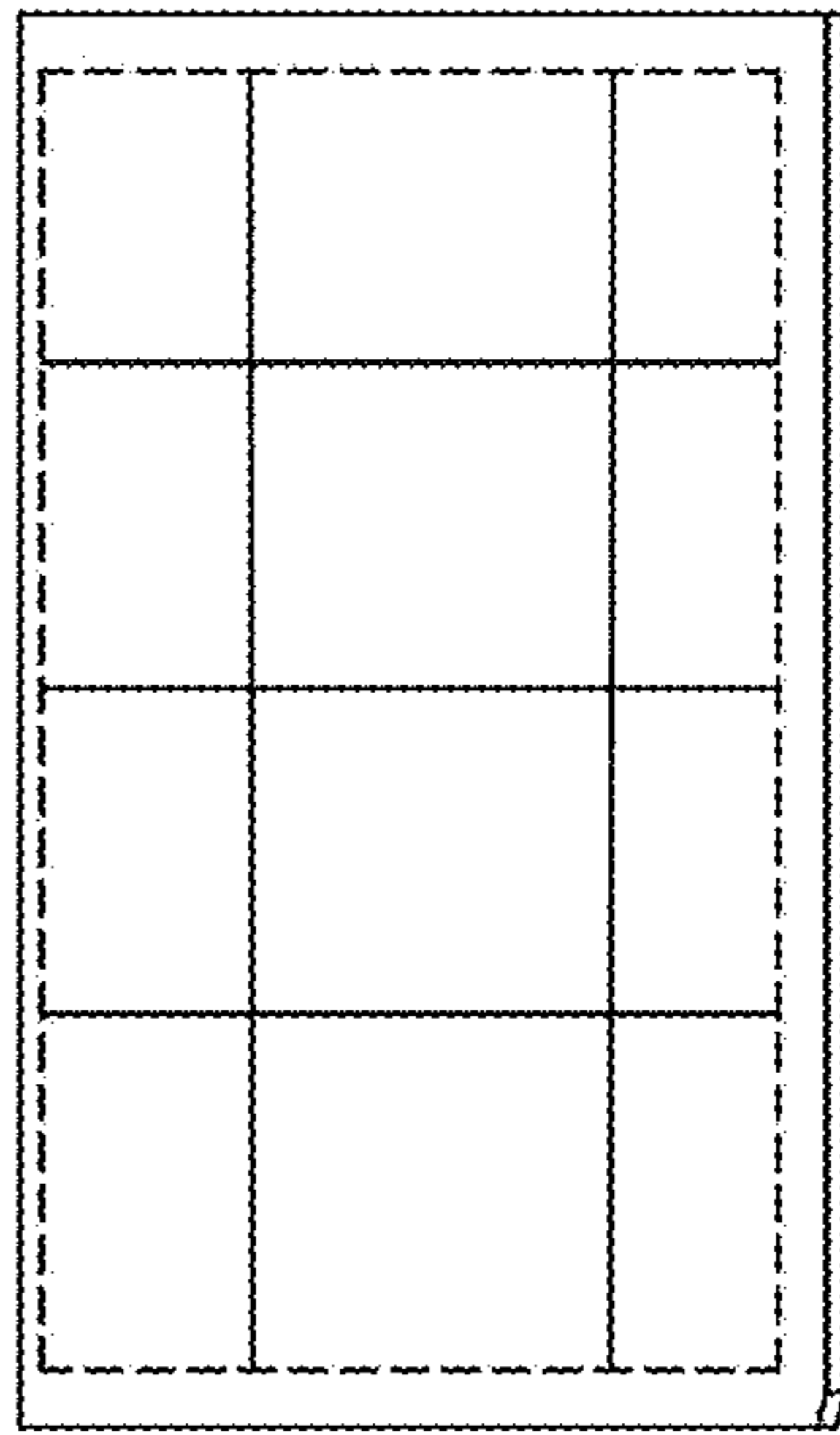


Fig. 4

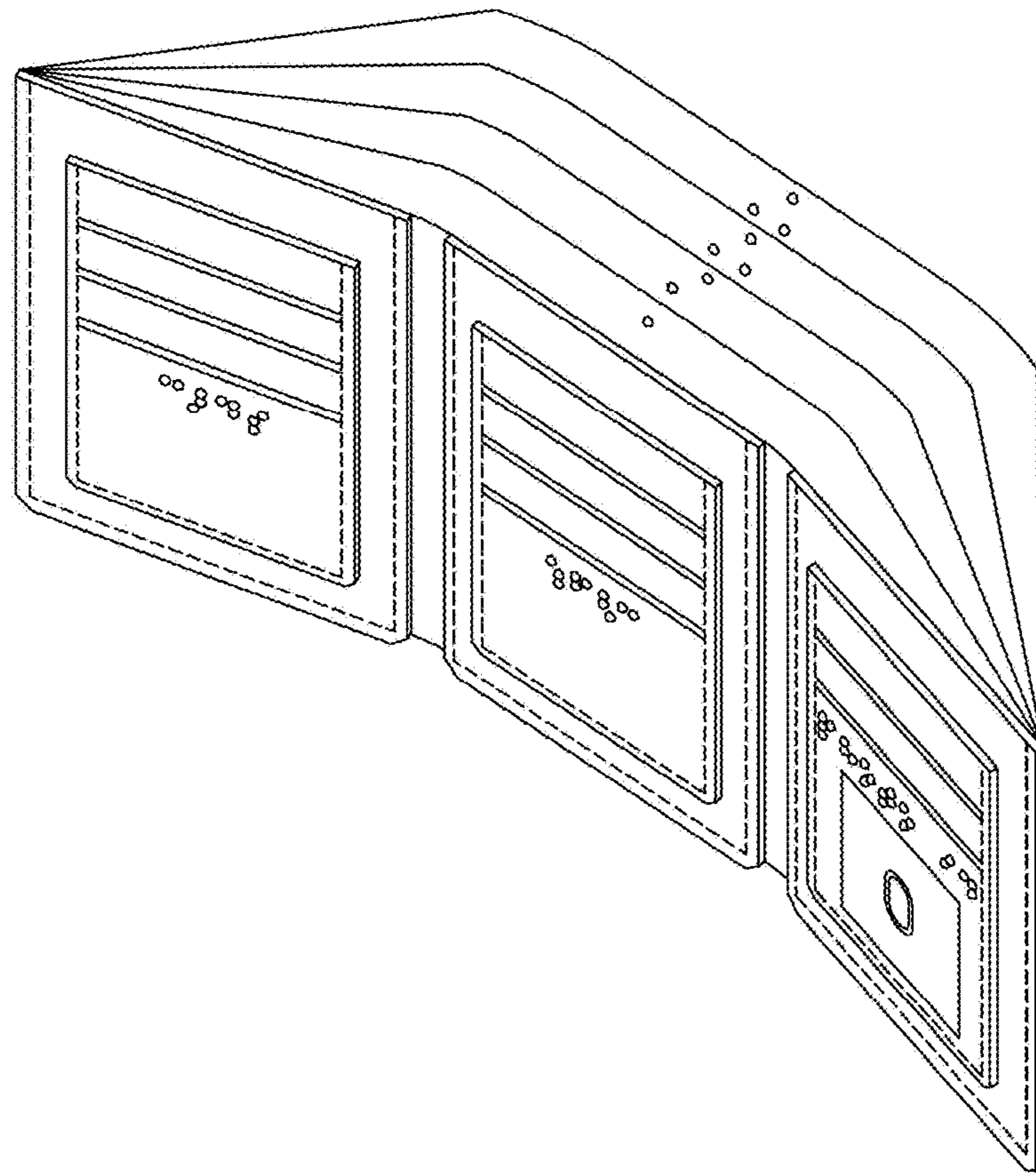


Fig. 5

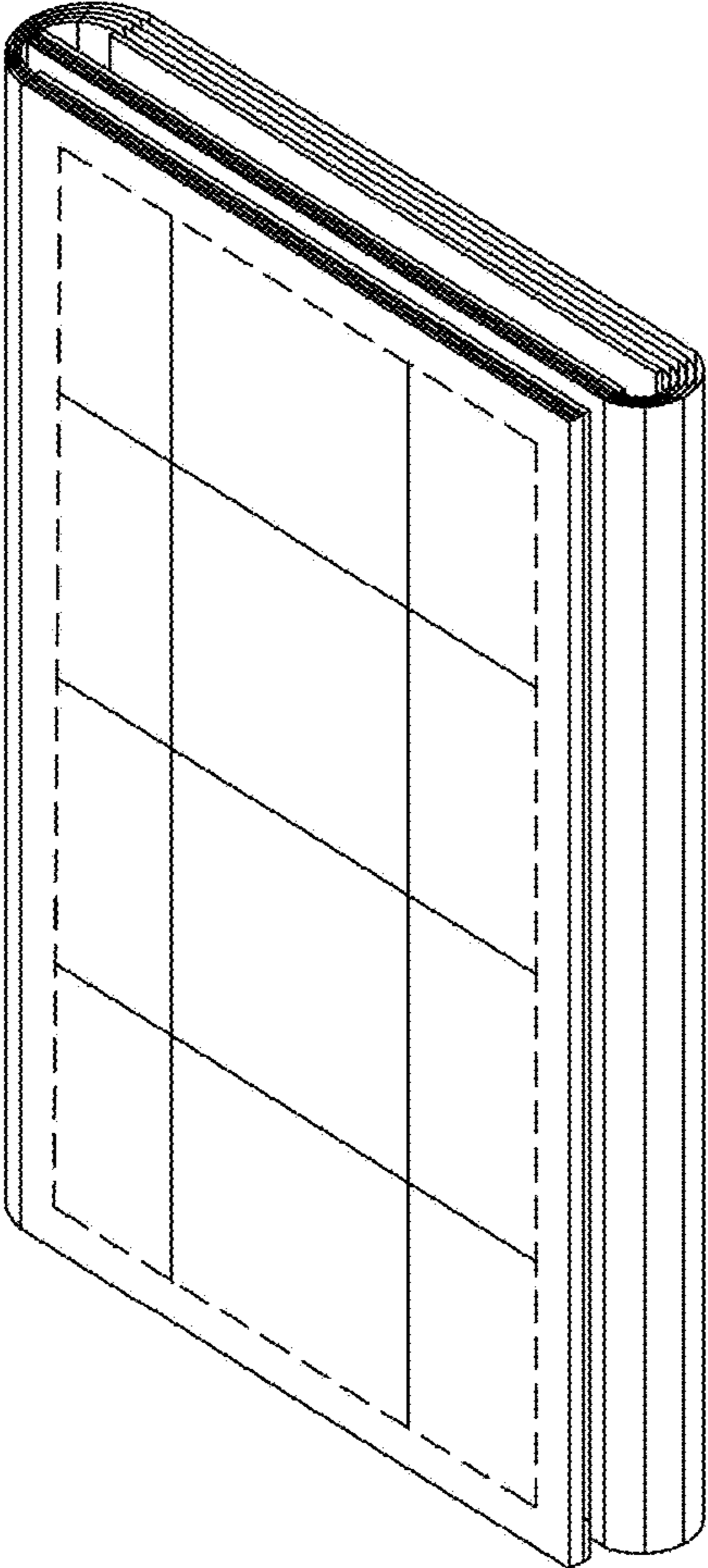


Fig. 6

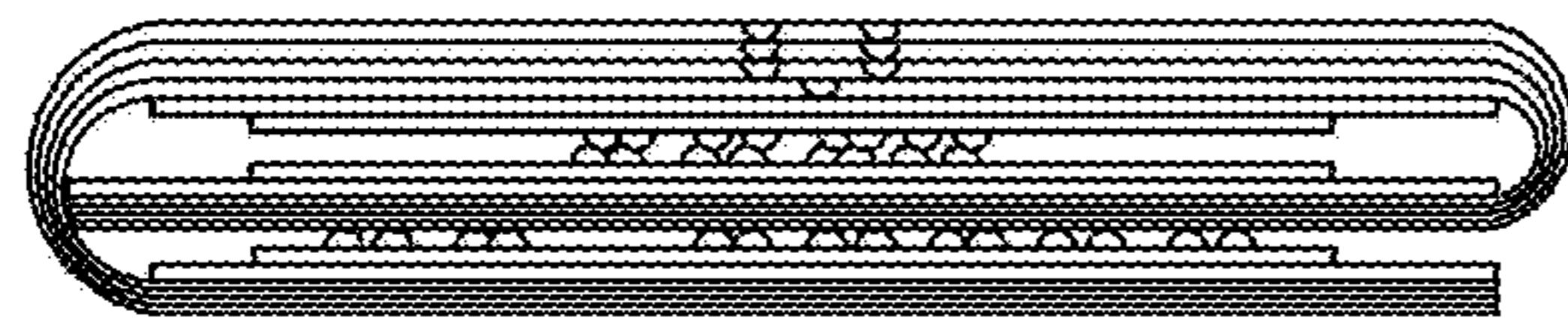


Fig. 7

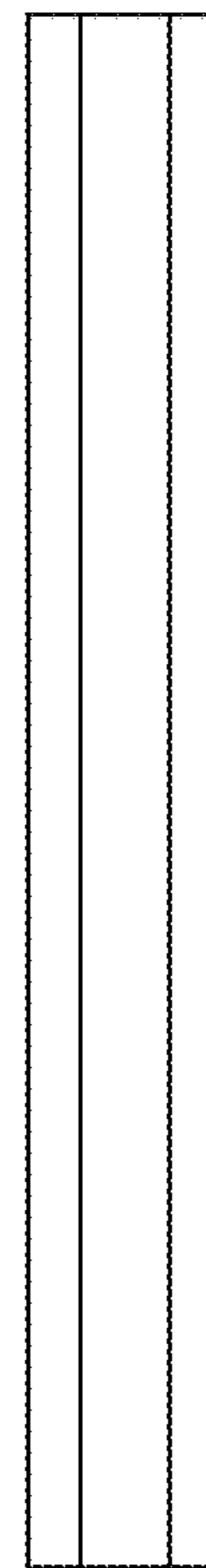


Fig. 8

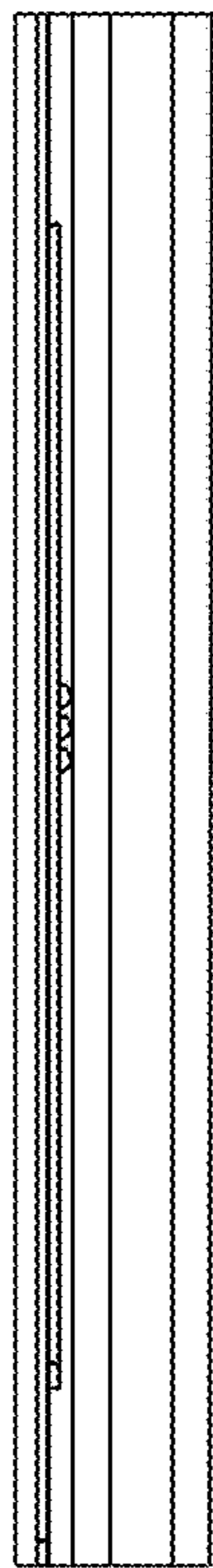


Fig. 9

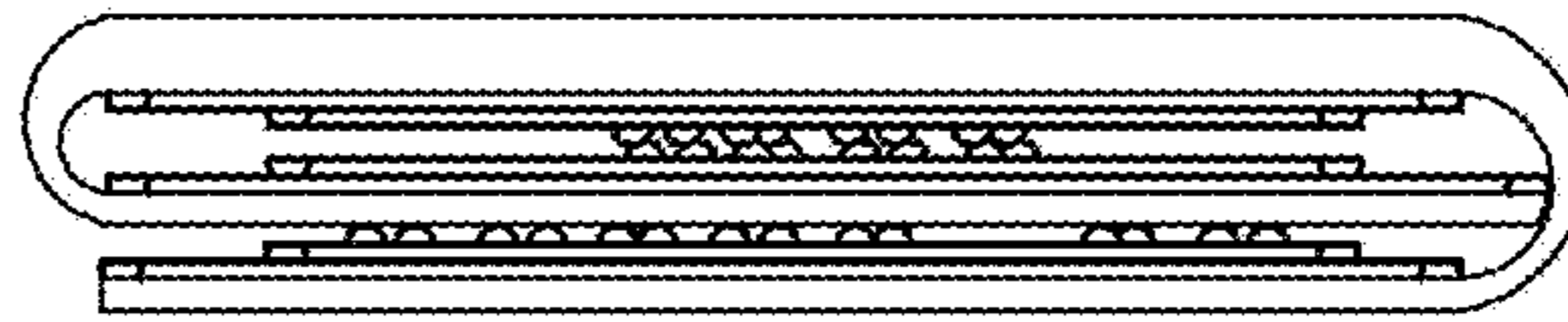


Fig. 10

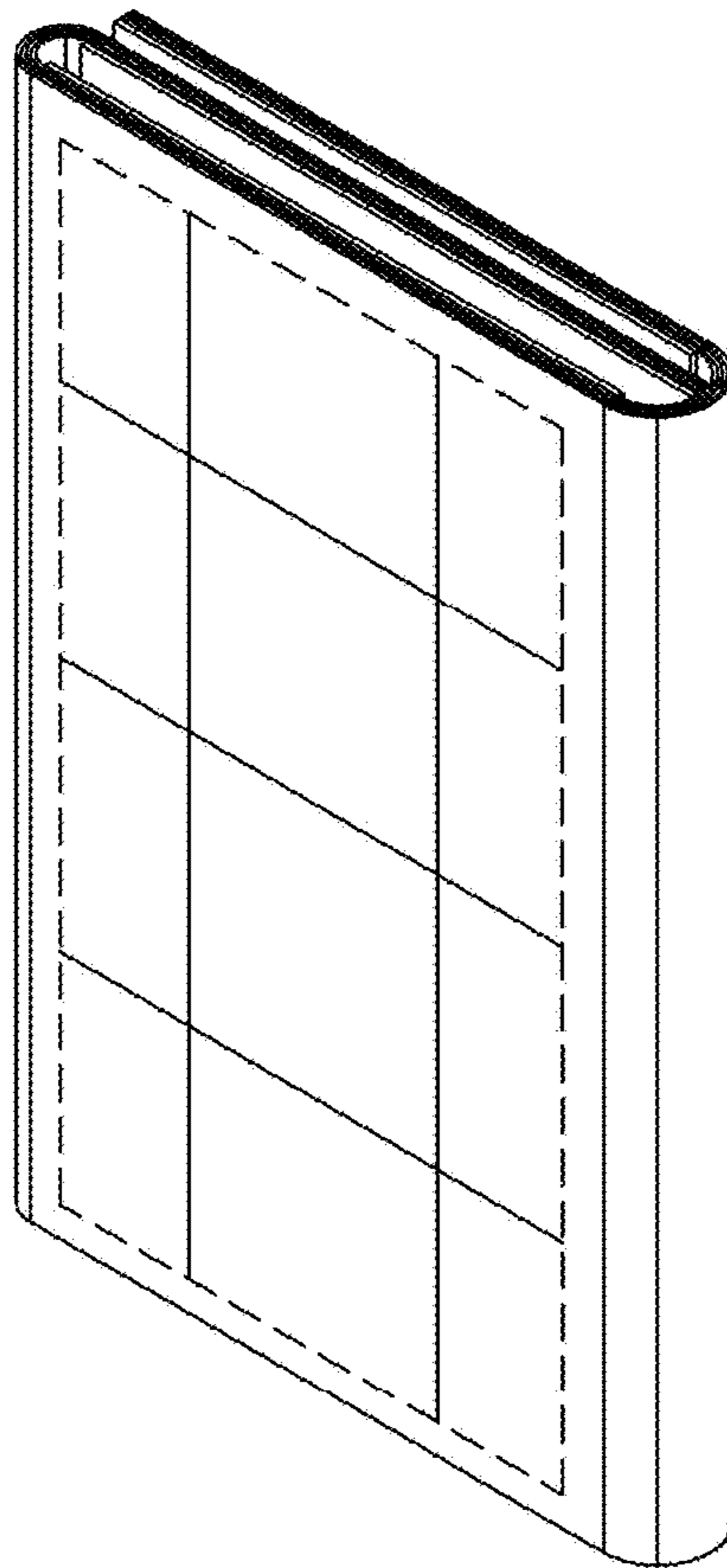


Fig. 11

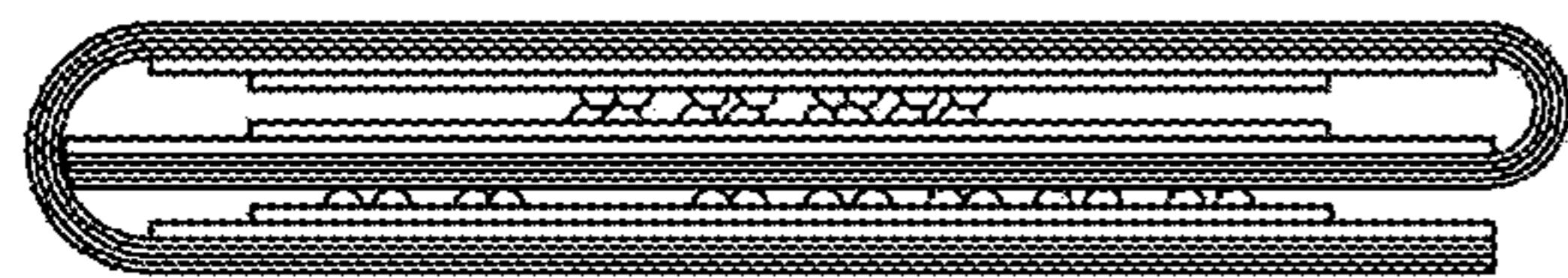


Fig. 12

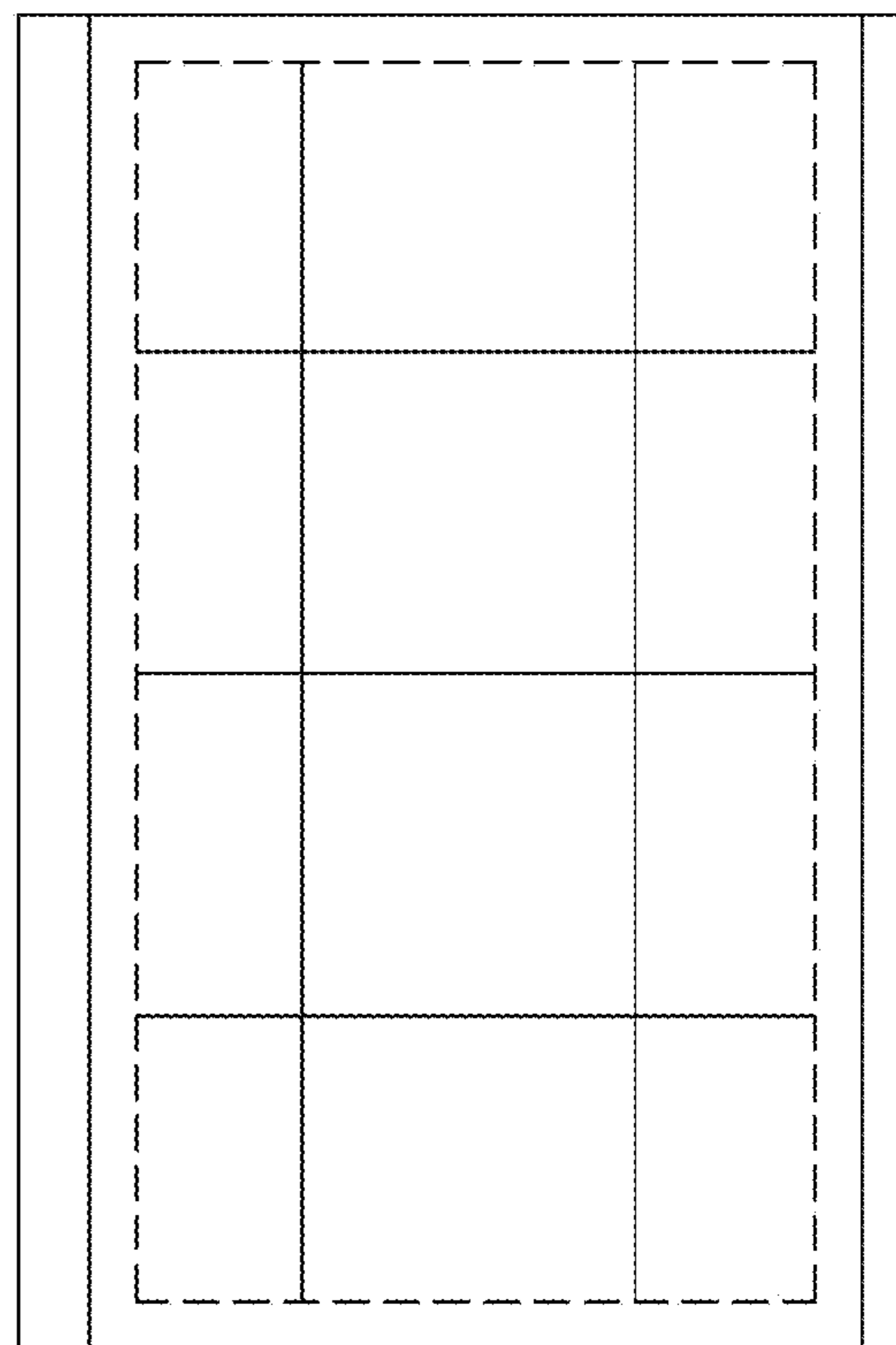


Fig. 13

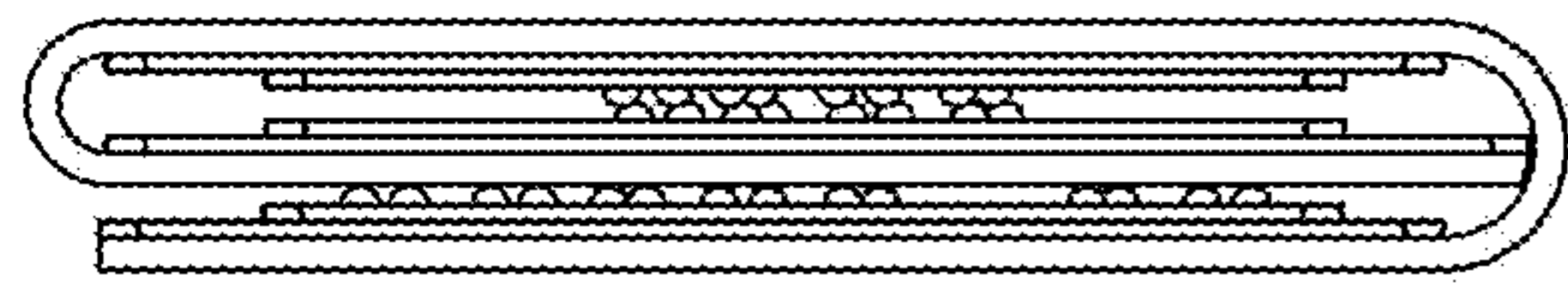


Fig. 14

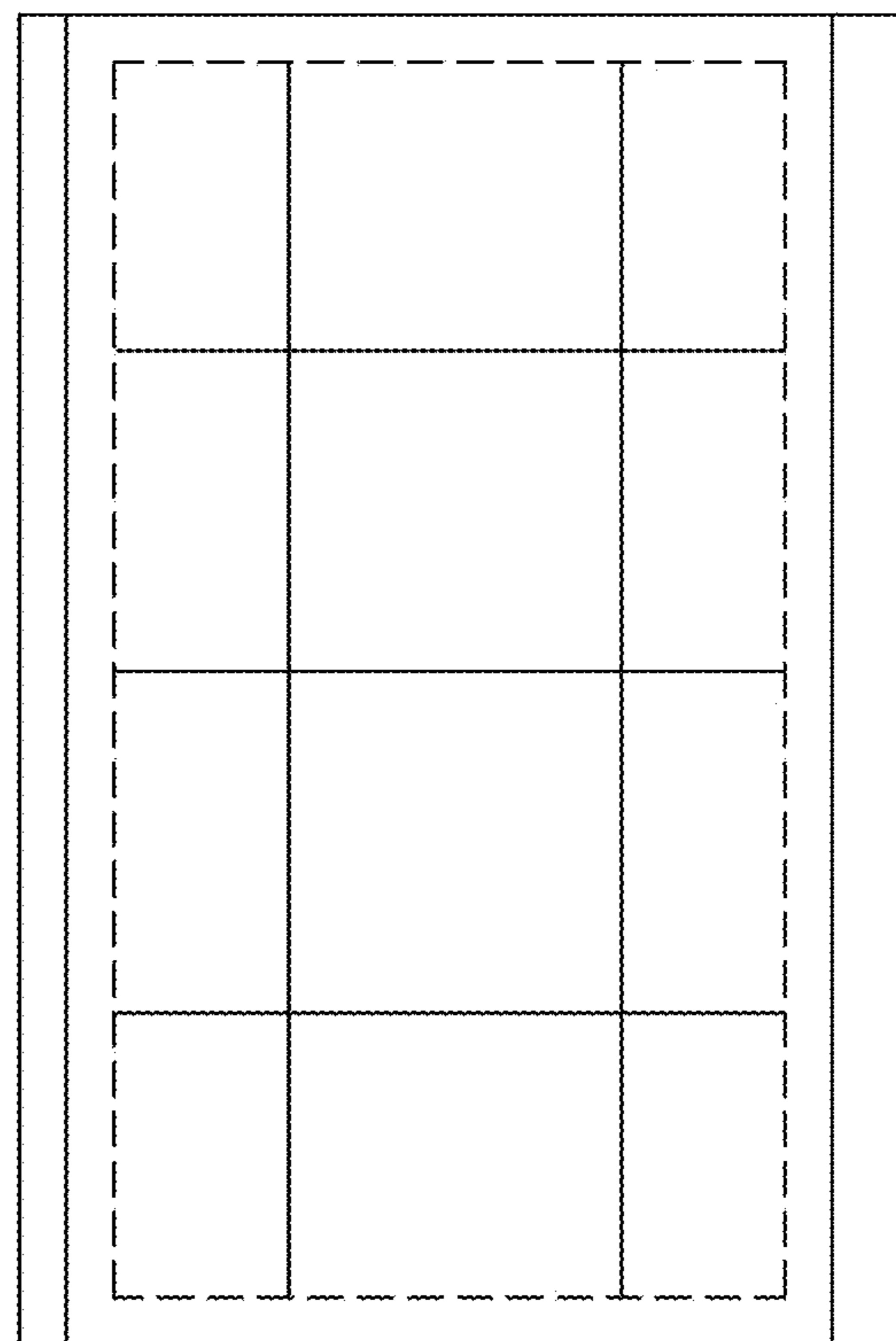


Fig. 15