



US00D912979S

(12) **United States Design Patent** (10) **Patent No.:** **US D912,979 S**
Guzzo (45) **Date of Patent:** **** Mar. 16, 2021**

(54) **BAG**

(71) Applicant: **MINDS OF EARTH LTD**, London (GB)

(72) Inventor: **Gabriele Guzzo**, London (GB)

(**) Term: **15 Years**

(21) Appl. No.: **35/508,094**

(22) Filed: **Oct. 17, 2019**

(80) **Hague Agreement Data**

Int. Filing Date: **Oct. 17, 2019**
Int. Reg. No.: **DM/204518**
Int. Reg. Date: **Oct. 17, 2019**
Int. Reg. Pub. Date: **Dec. 13, 2019**

(51) **LOC (13) Cl.** **03-01**

(52) **U.S. Cl.**
USPC **D3/245**
CPC **A45C 1/04** (2013.01)

(58) **Field of Classification Search**

USPC D3/201, 215–218, 226, 232–233, D3/239–254, 260, 269, 271.12, 272–302, D3/307, 315, 318–328, 905
CPC .. A45C 1/00; A45C 1/02; A45C 1/024; A45C 1/04; A45C 1/06; A45C 2001/022; A45C 2001/067; A45C 2001/083; A45C 2001/086; A45C 2001/101; A45C 2001/102; A45C 3/00; A45C 3/001; A45C 3/04; A45C 3/045; A45C 3/06; A45C 3/10; A45C 5/00; A45C 5/03; A45C 5/04; A45C 5/06; A45C 5/08; A45C 5/14; A45C 5/141; A45C 5/146; A45C 2005/032; A45C 2005/035; A45C 2005/037; A45C 2005/142; A45C 2005/147; A45C 2005/148; A45C 7/00; A45C 7/0018; A45C 7/005; A45C 7/0045; A45C 7/0054; A45C 7/0059;

A45C 7/0095; A45C 2011/001; A45C 2011/002; A45C 2011/003; A45C 11/20; A45C 13/02; A45C 13/03; A45C 2013/025; A45C 2013/026

See application file for complete search history.

(56) **References Cited**

U.S. PATENT DOCUMENTS

D533,719	S	*	12/2006	Spade	D3/324
D695,517	S	*	12/2013	Sassi	D3/243
D728,225	S	*	5/2015	McNamara	D3/243
D756,632	S	*	5/2016	Frisoni	D3/243
D765,969	S	*	9/2016	Bonesi	D3/243
D770,766	S	*	11/2016	Slimane	D3/243
D787,178	S	*	5/2017	Maier	D3/232
D809,789	S	*	2/2018	Fusi	D3/243
D829,438	S	*	10/2018	Sukhaya	D3/243
D836,908	S	*	1/2019	Chiuri	D3/232
D855,975	S	*	8/2019	Fusi	D3/232
D880,150	S	*	4/2020	Fusi	D3/243
D885,048	S	*	5/2020	Guzzo	D3/245
D885,756	S	*	6/2020	Guzzo	D3/245
D893,865	S	*	8/2020	Galanti	D3/243

* cited by examiner

Primary Examiner — Richard E Chilcot

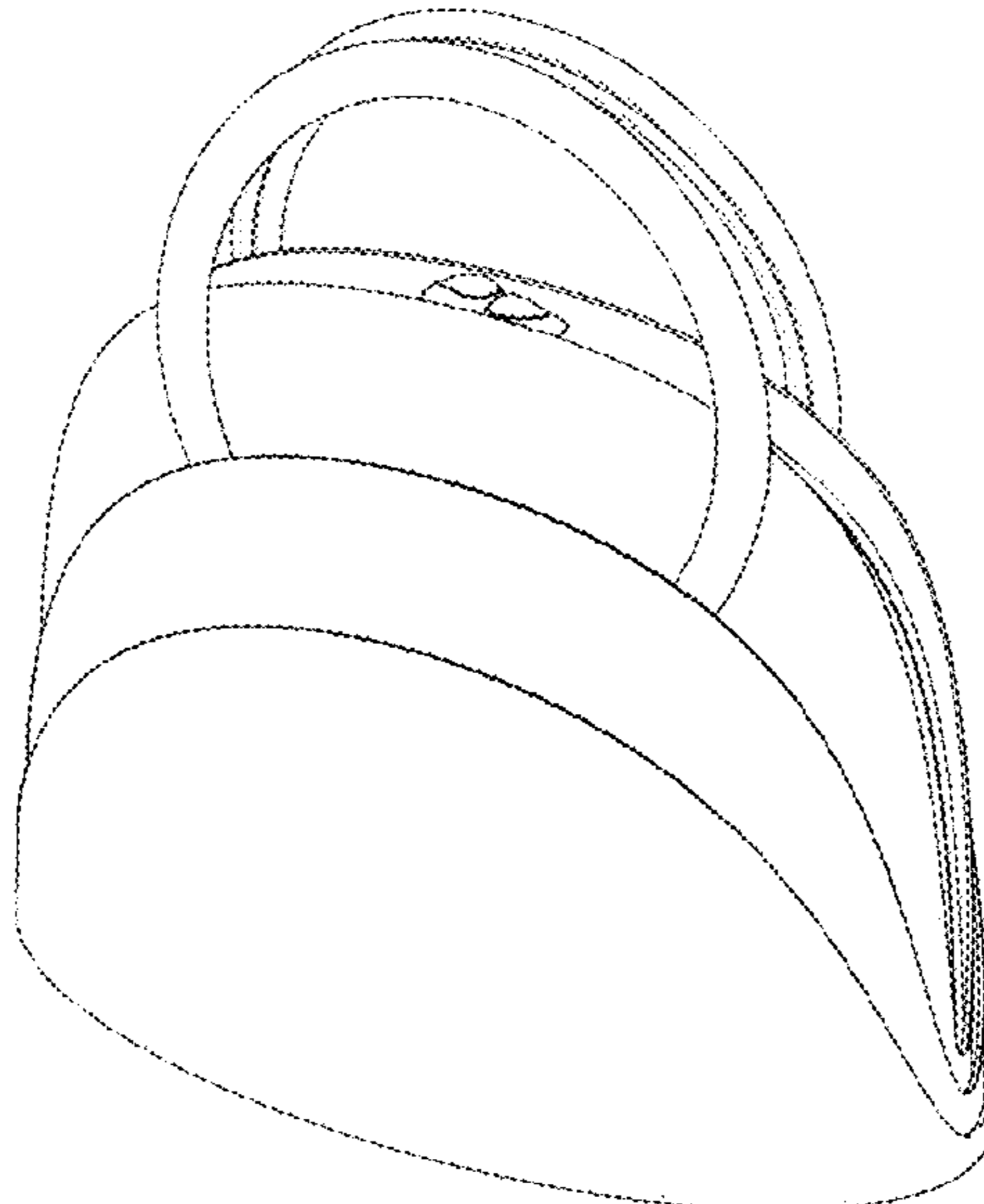
(57) **CLAIM**

The ornamental design for a bag, as shown and described.

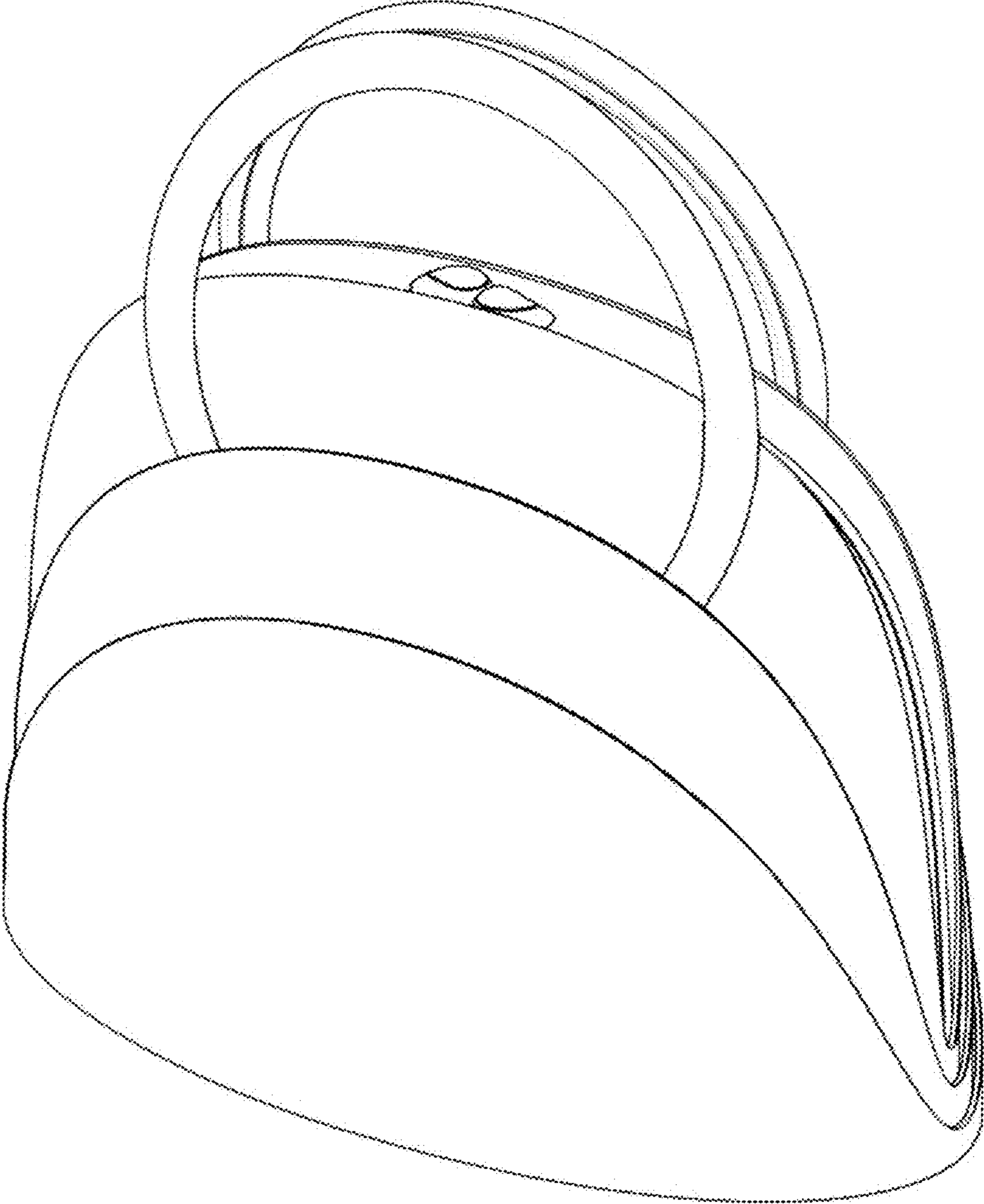
DESCRIPTION

- 1. Bag
- 1.1 : Perspective
- 1.2 : Front
- 1.3 : Back
- 1.4 : Right
- 1.5 : Left
- 1.6 : Top
- 1.7 : Bottom

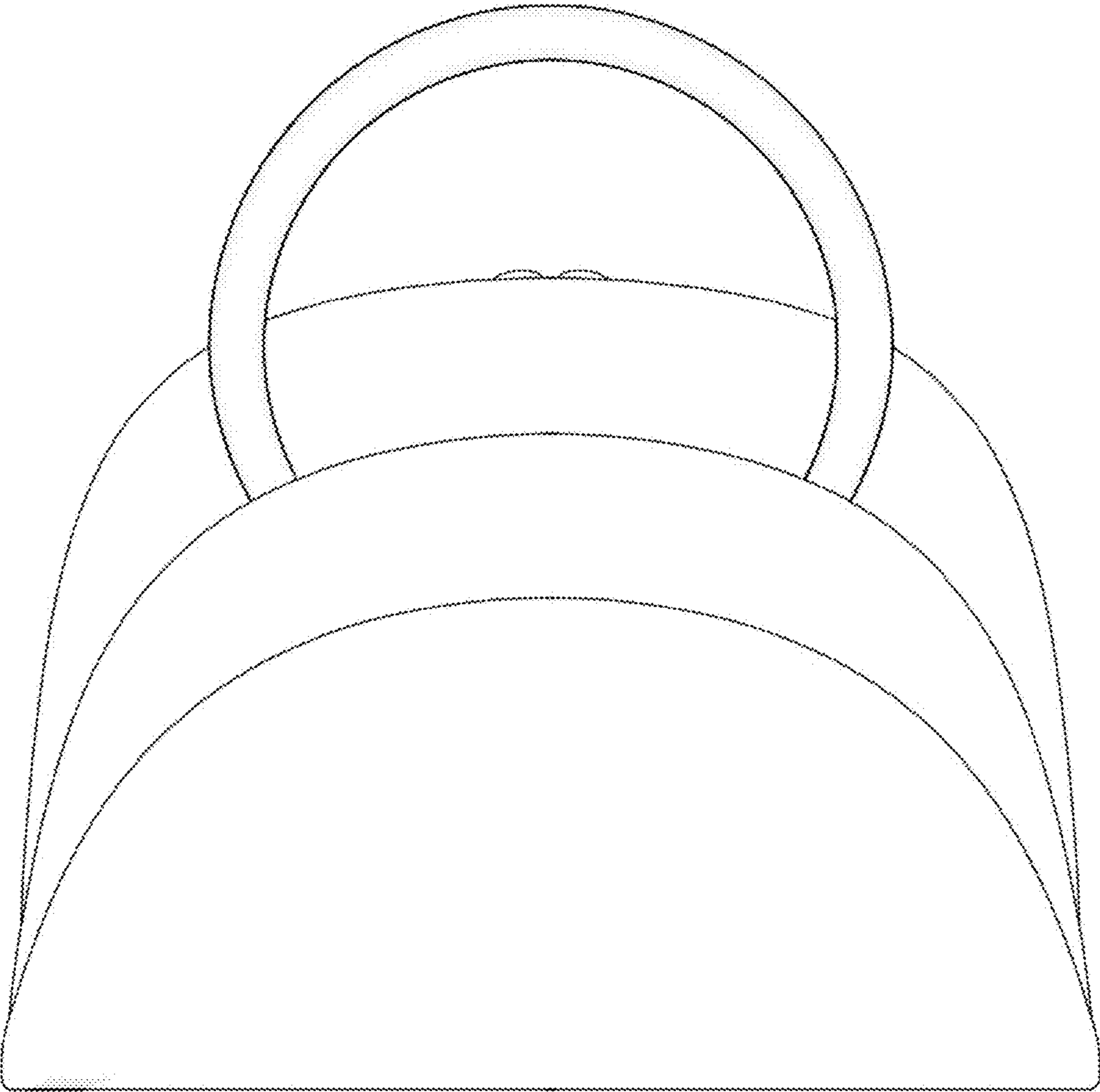
1 Claim, 7 Drawing Sheets



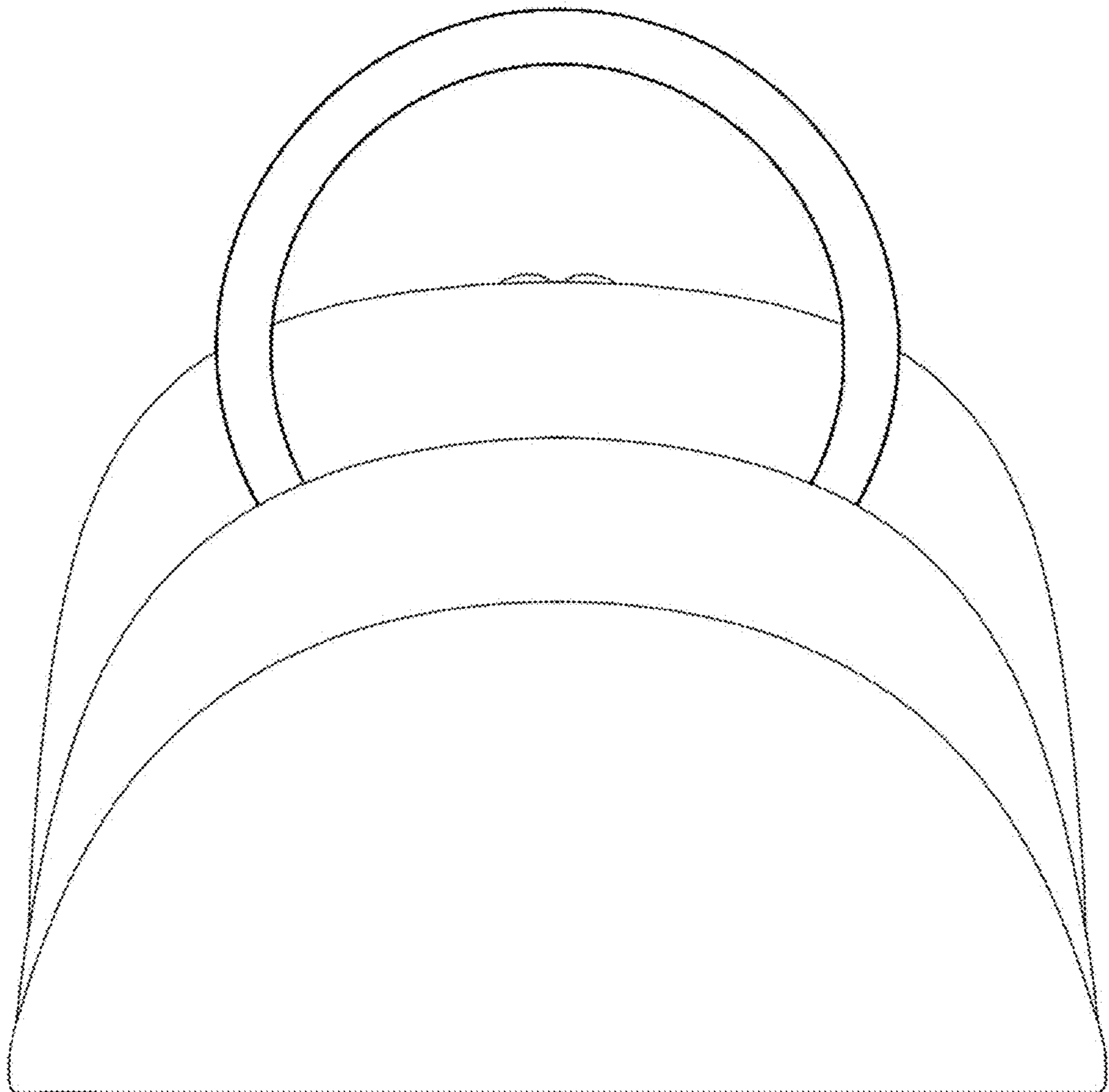
1.1



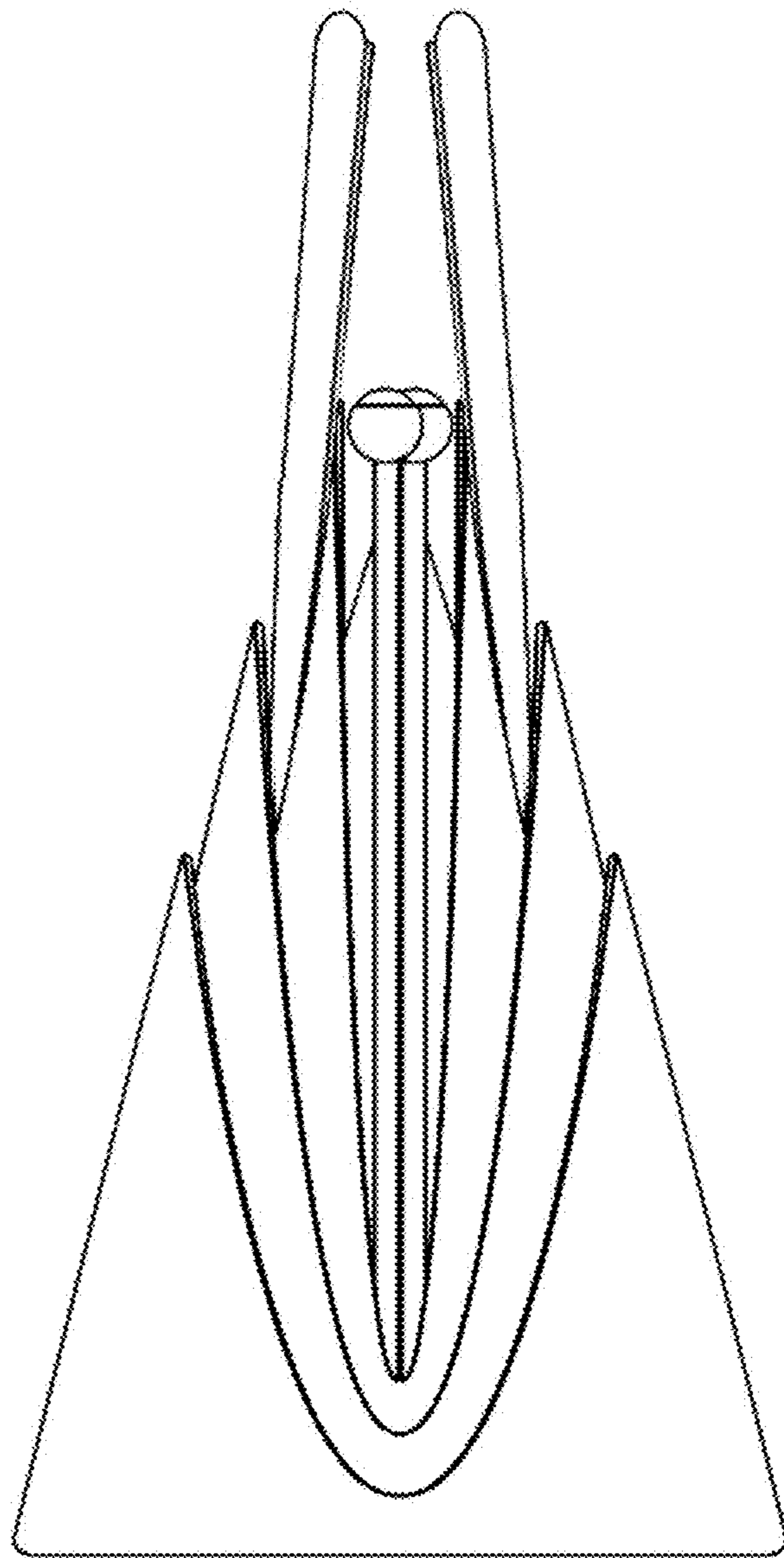
1.2



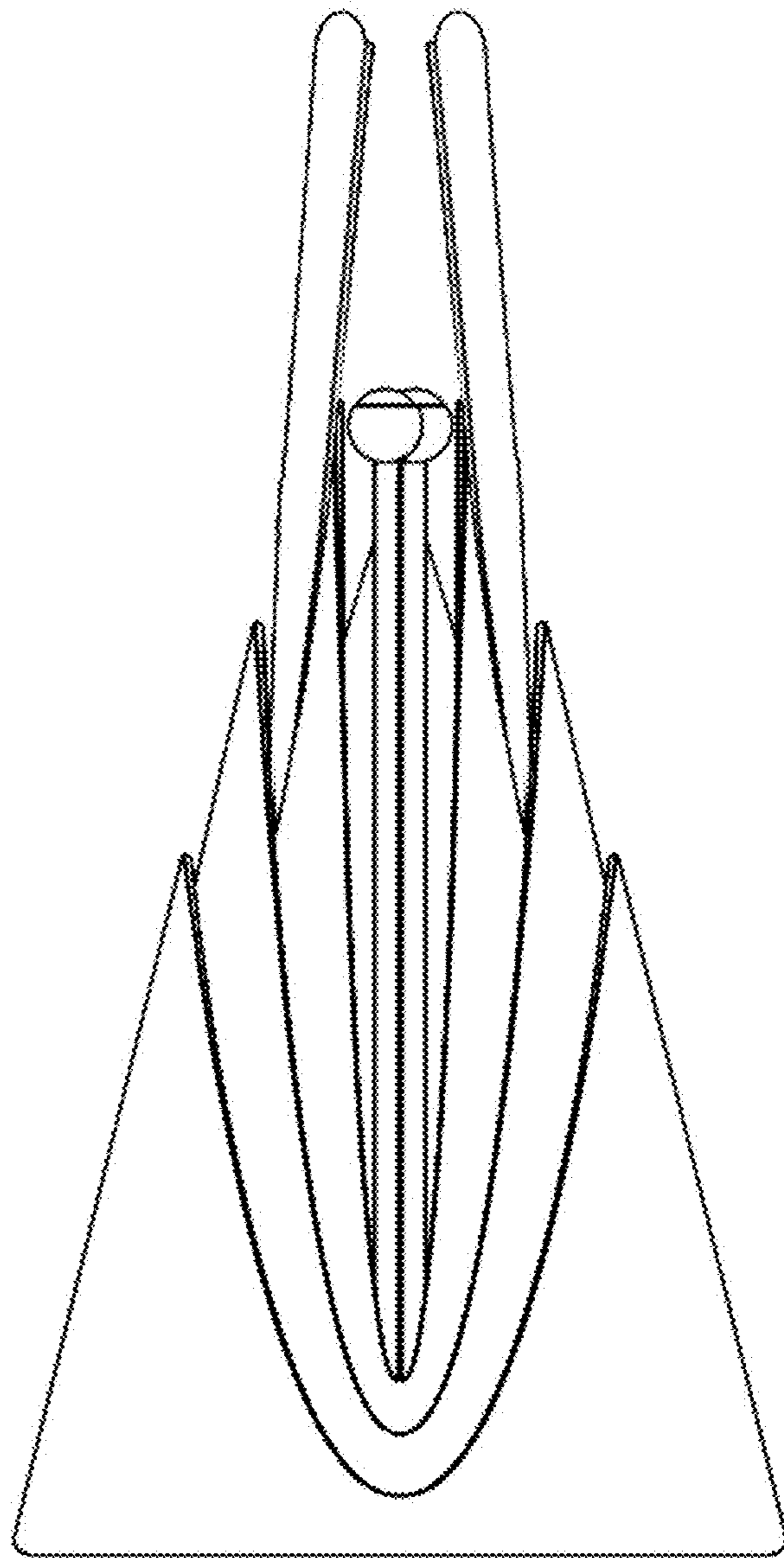
1.3



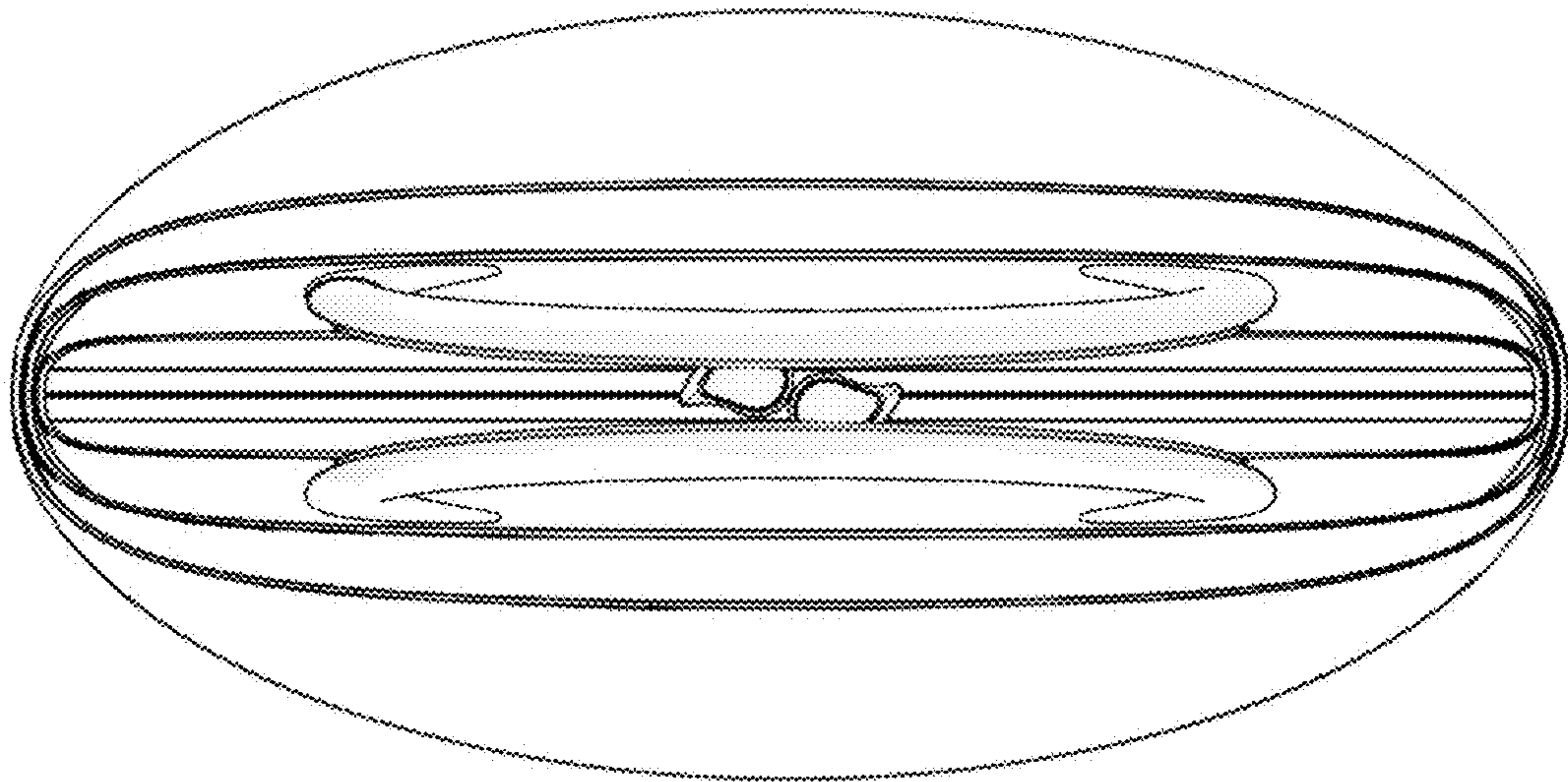
1.4



1.5



1.6



1.7

