



US00D912976S

(12) **United States Design Patent**  
**Breines**

(10) **Patent No.:** **US D912,976 S**  
(45) **Date of Patent:** **\*\* Mar. 16, 2021**

- (54) **BACKPACK**
- (71) Applicant: **Robert Breines**, Westlake Village, CA (US)
- (72) Inventor: **Robert Breines**, Westlake Village, CA (US)
- (\*\*) Term: **15 Years**
- (21) Appl. No.: **29/757,849**
- (22) Filed: **Nov. 10, 2020**
- (51) **LOC (13) Cl.** ..... **03-01**
- (52) **U.S. Cl.**  
USPC ..... **D3/217**
- (58) **Field of Classification Search**  
USPC ..... D3/216, 217  
CPC .. A45C 3/08; A45C 3/06; A45C 13/08; A45C 13/02; A45C 7/0086; A45C 3/00; A45C 13/26; A45F 3/04; A45F 3/02  
See application file for complete search history.

- 2003/0183669 A1\* 10/2003 Cameron ..... A45C 13/02 224/585
- 2004/0206791 A1\* 10/2004 Rogers ..... A45F 3/00 224/221
- 2005/0000995 A1\* 1/2005 Eberle ..... F41C 33/06 224/637
- 2005/0133399 A1\* 6/2005 Fidrych ..... A45F 3/04 206/545
- 2011/0097021 A1\* 4/2011 Curran ..... B32B 5/08 383/109
- 2011/0186611 A1\* 8/2011 Eberle ..... A45F 4/00 224/583
- 2013/0292441 A1\* 11/2013 Shen ..... A45F 3/04 224/579

\* cited by examiner

*Primary Examiner* — Jennifer L Watkins

(57) **CLAIM**

I claim the ornamental design for a backpack, as shown and described.

**DESCRIPTION**

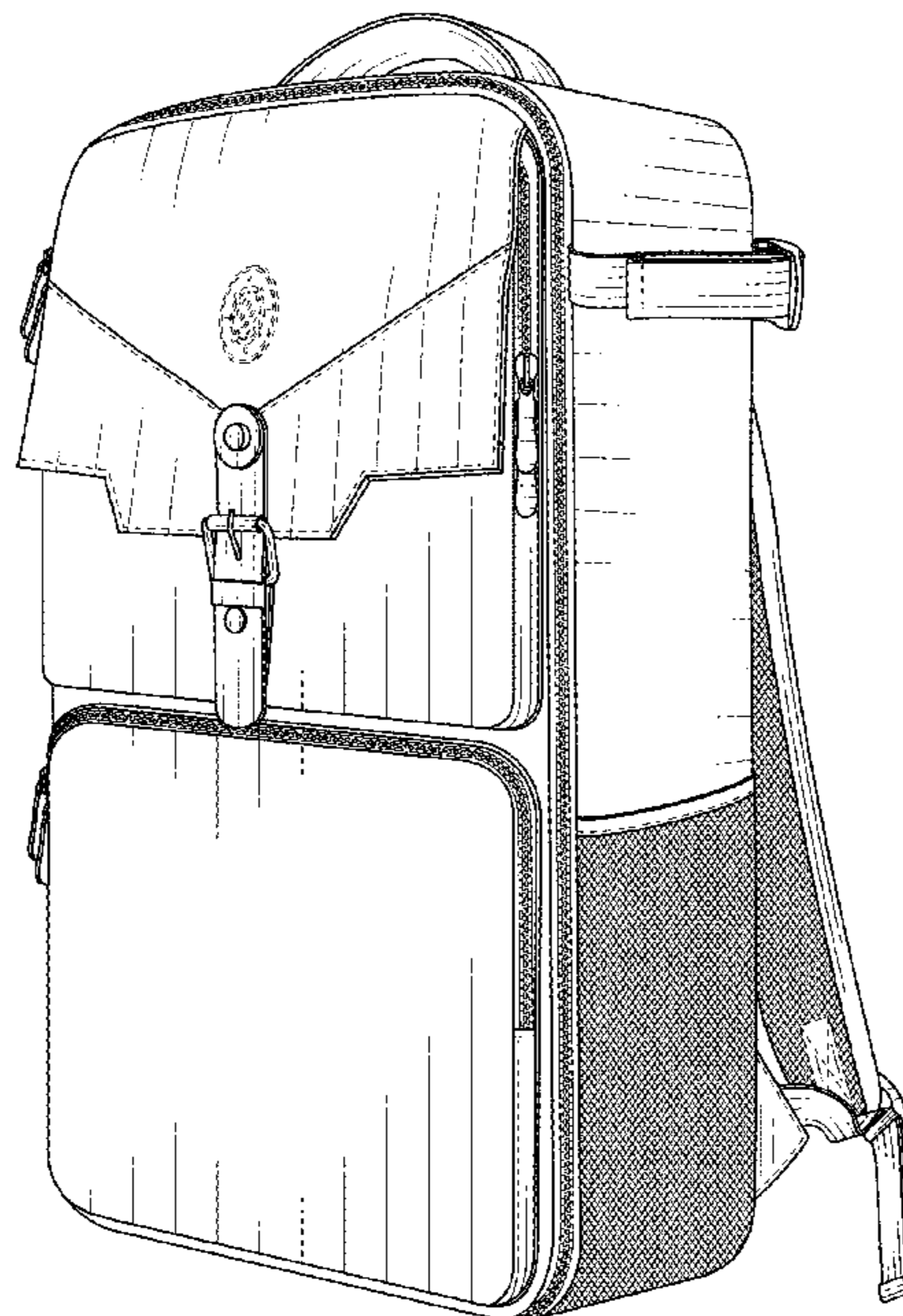
FIG. 1 is a front perspective view of the backpack, showing the new design;  
 FIG. 2 is a rear perspective view of FIG. 1;  
 FIG. 3 is a front elevational view of FIG. 1;  
 FIG. 4 is a rear elevational view of FIG. 1;  
 FIG. 5 is a left-side elevational view of FIG. 1;  
 FIG. 6 is a right-side elevational view of FIG. 1;  
 FIG. 7 is a top plan view of FIG. 1; and,  
 FIG. 8 is a bottom plan view of FIG. 1.  
 The broken lines representing a logo in the FIGS. 1 and 3 form no part of the claimed design. The remaining broken lines represent stitching and do form part of the claimed design.

(56) **References Cited**

U.S. PATENT DOCUMENTS

- D746,049 S \* 12/2015 Zwetzig ..... D3/217
- D855,310 S \* 8/2019 Gonzales ..... A45F 3/04 206/527
- D856,662 S \* 8/2019 Breines ..... D3/217
- D873,558 S \* 1/2020 Jamieson ..... D3/217
- D873,559 S \* 1/2020 Skaff ..... D3/217
- D874,817 S \* 2/2020 Margossian ..... D3/217
- D882,943 S \* 5/2020 Zhuang ..... D3/217
- D883,658 S \* 5/2020 Lu ..... D3/217
- D888,413 S \* 6/2020 Dai ..... D3/217
- D893,169 S \* 8/2020 Jais ..... D3/217
- D899,079 S \* 10/2020 Priest ..... D3/217
- D903,307 S \* 12/2020 Rabe ..... D3/217
- 2003/0132134 A1\* 7/2003 Chang ..... A45C 13/004 206/527

**1 Claim, 7 Drawing Sheets**



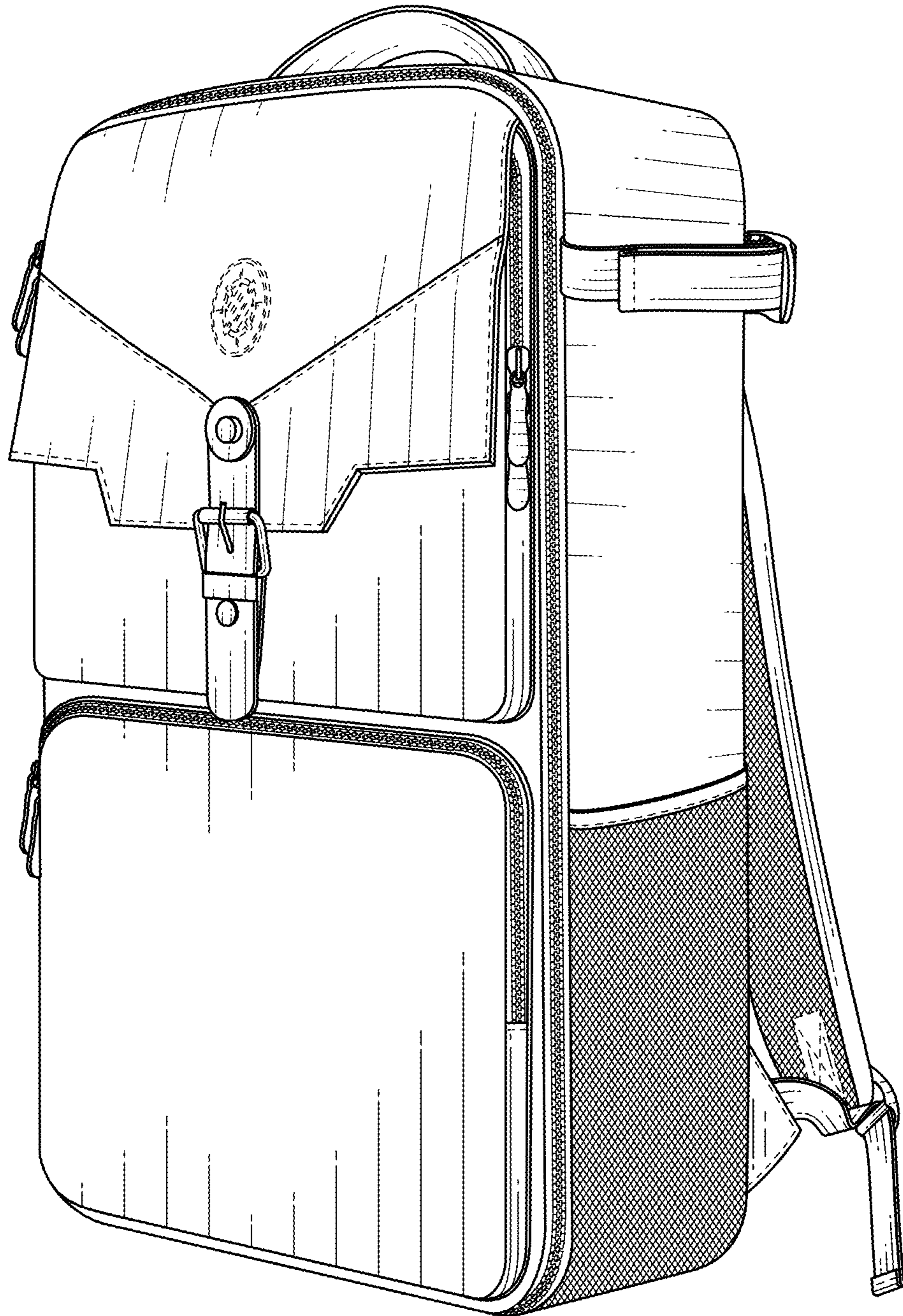


FIG. 1

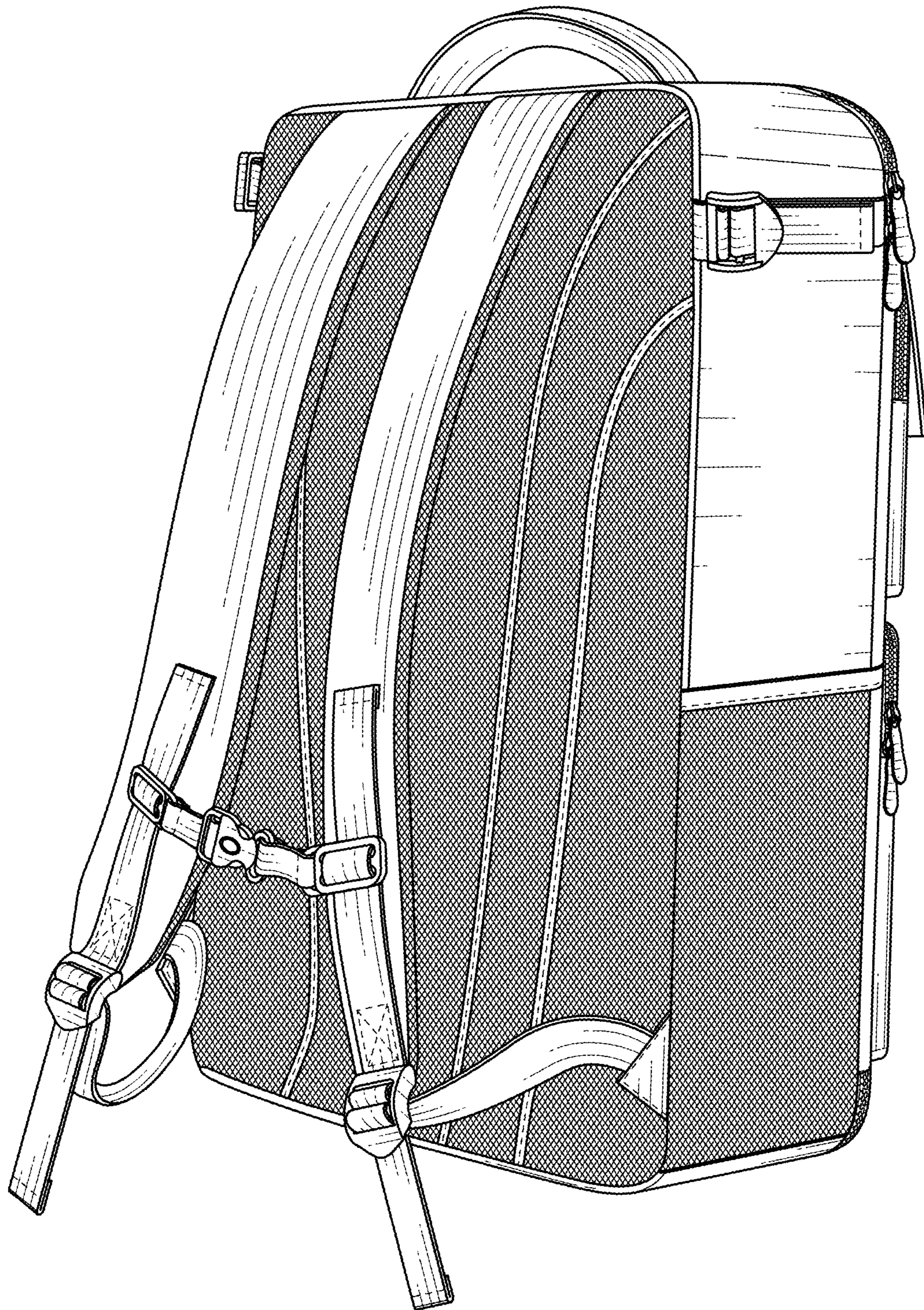


FIG. 2

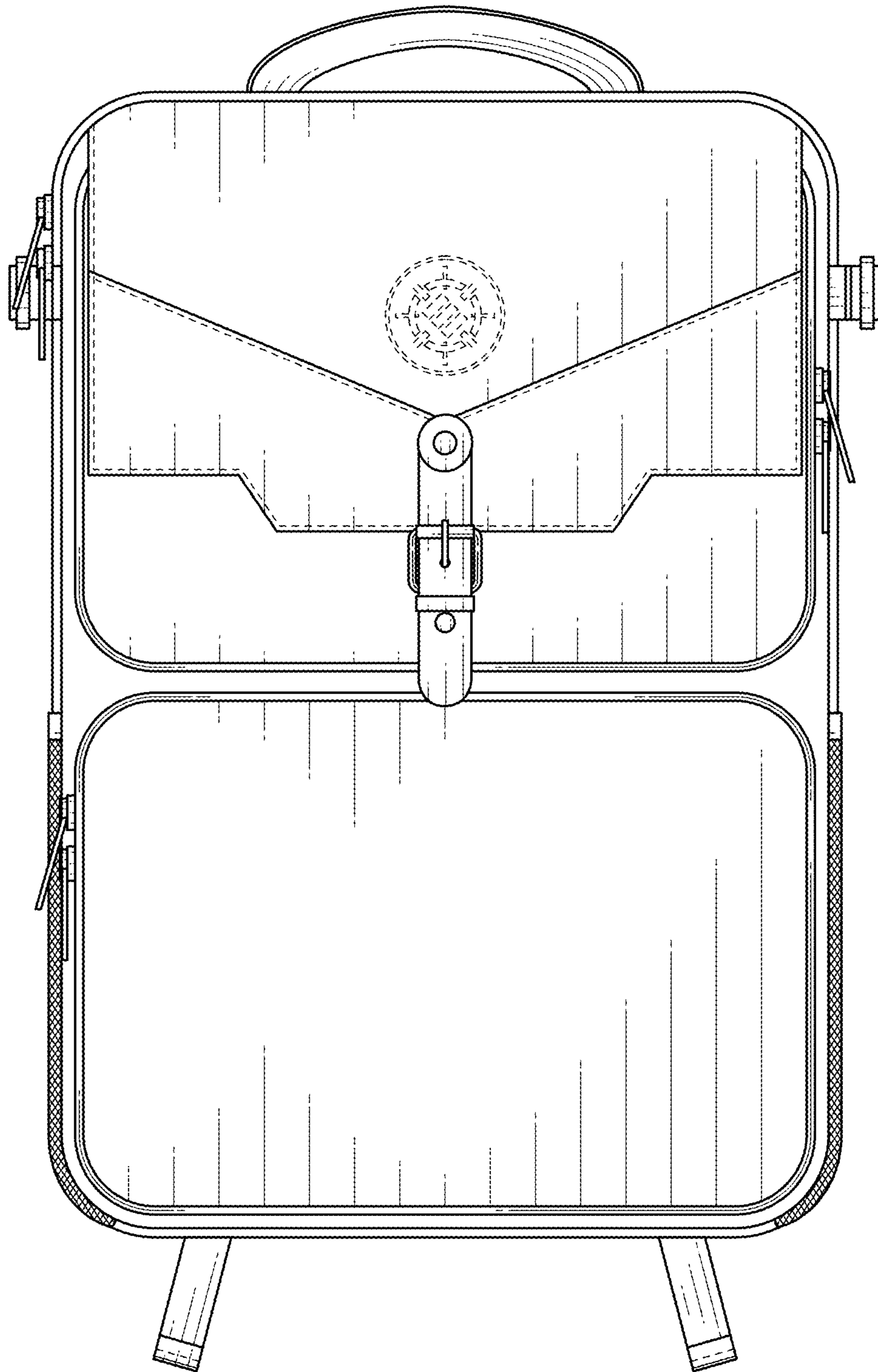


FIG. 3

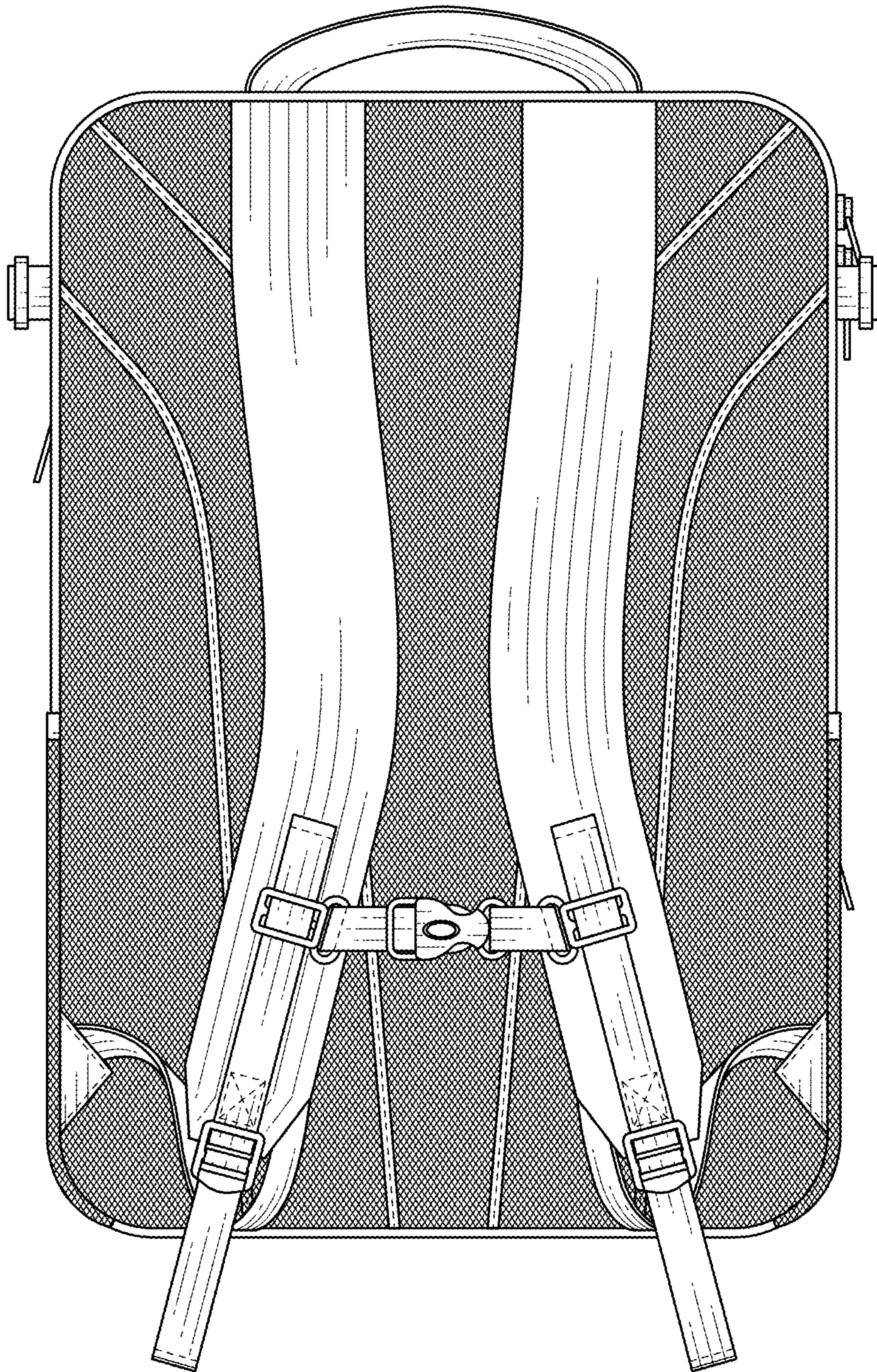


FIG. 4

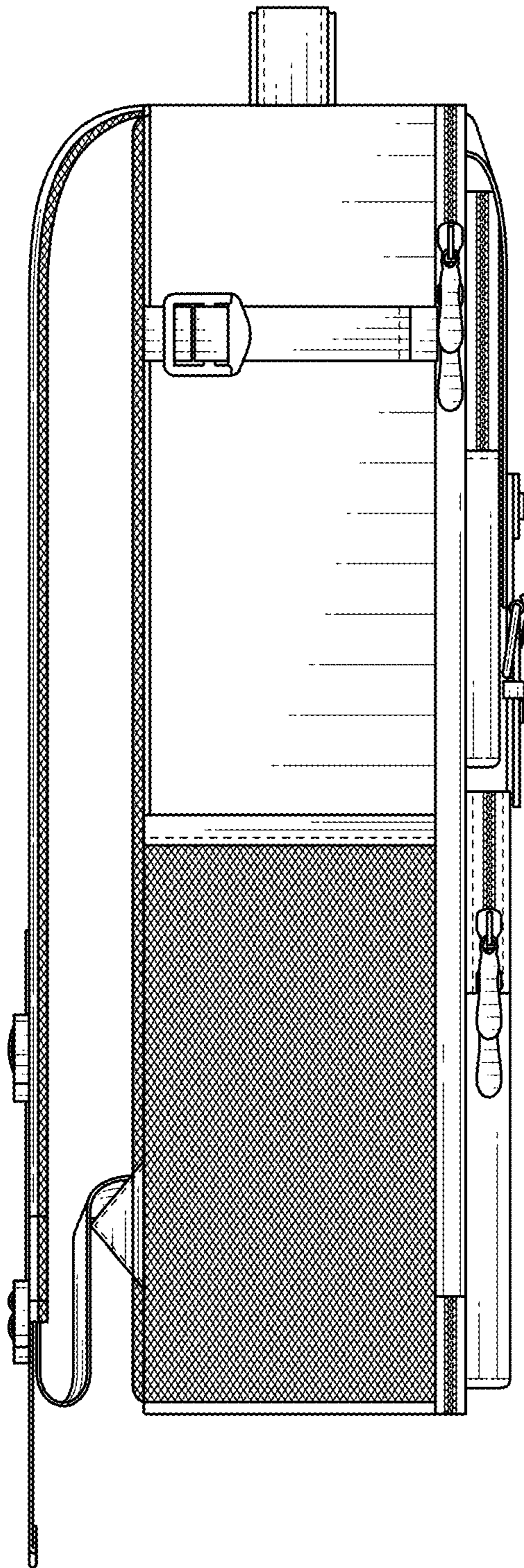


FIG. 5

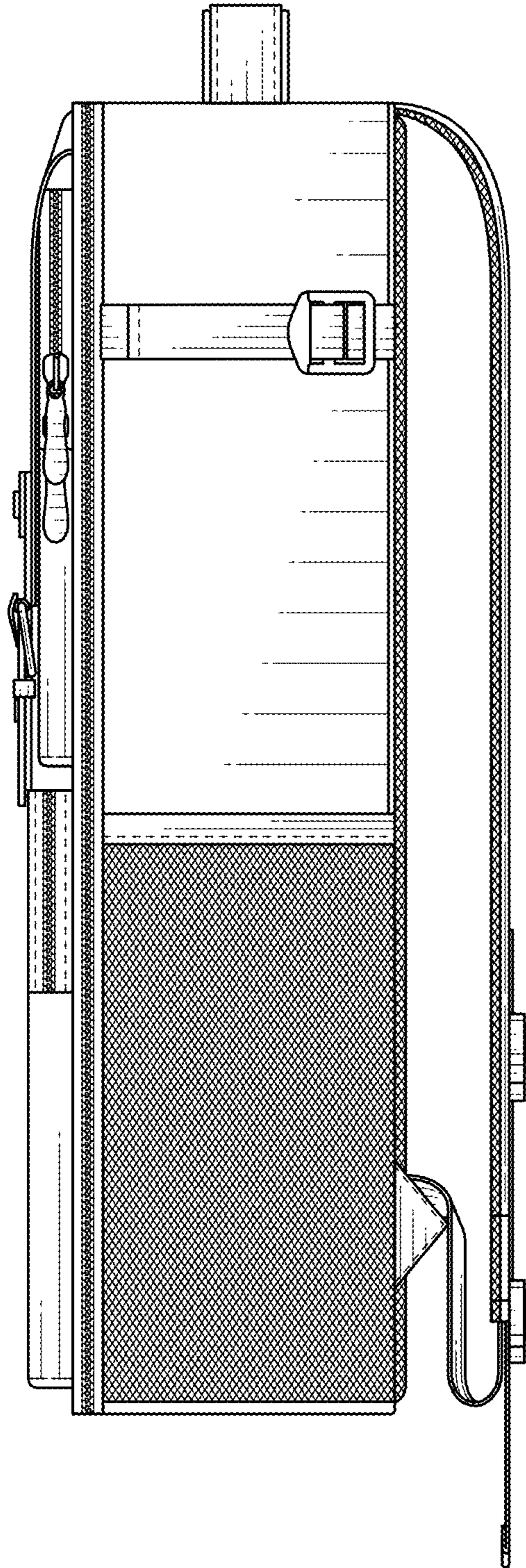


FIG. 6

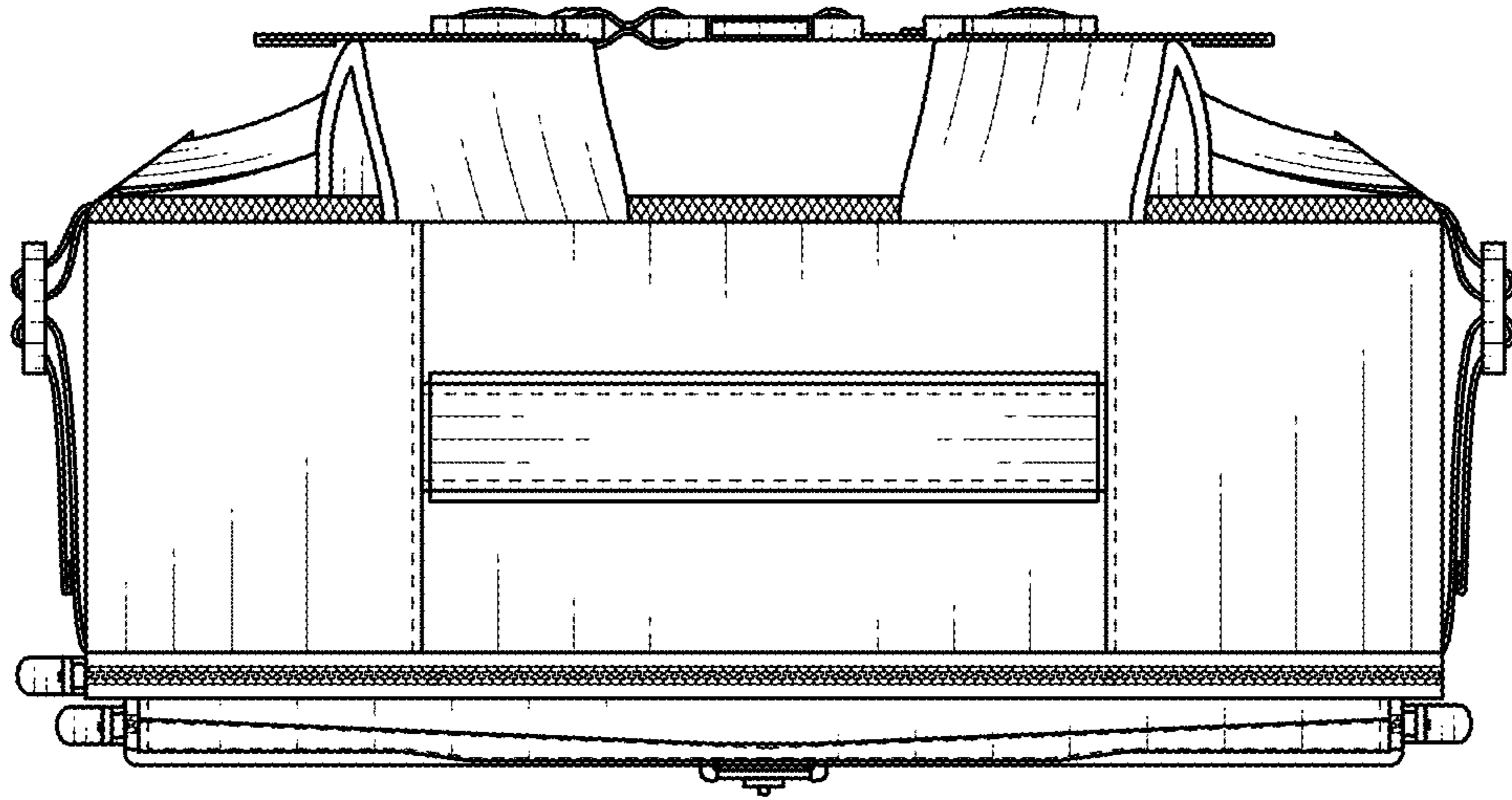


FIG. 7

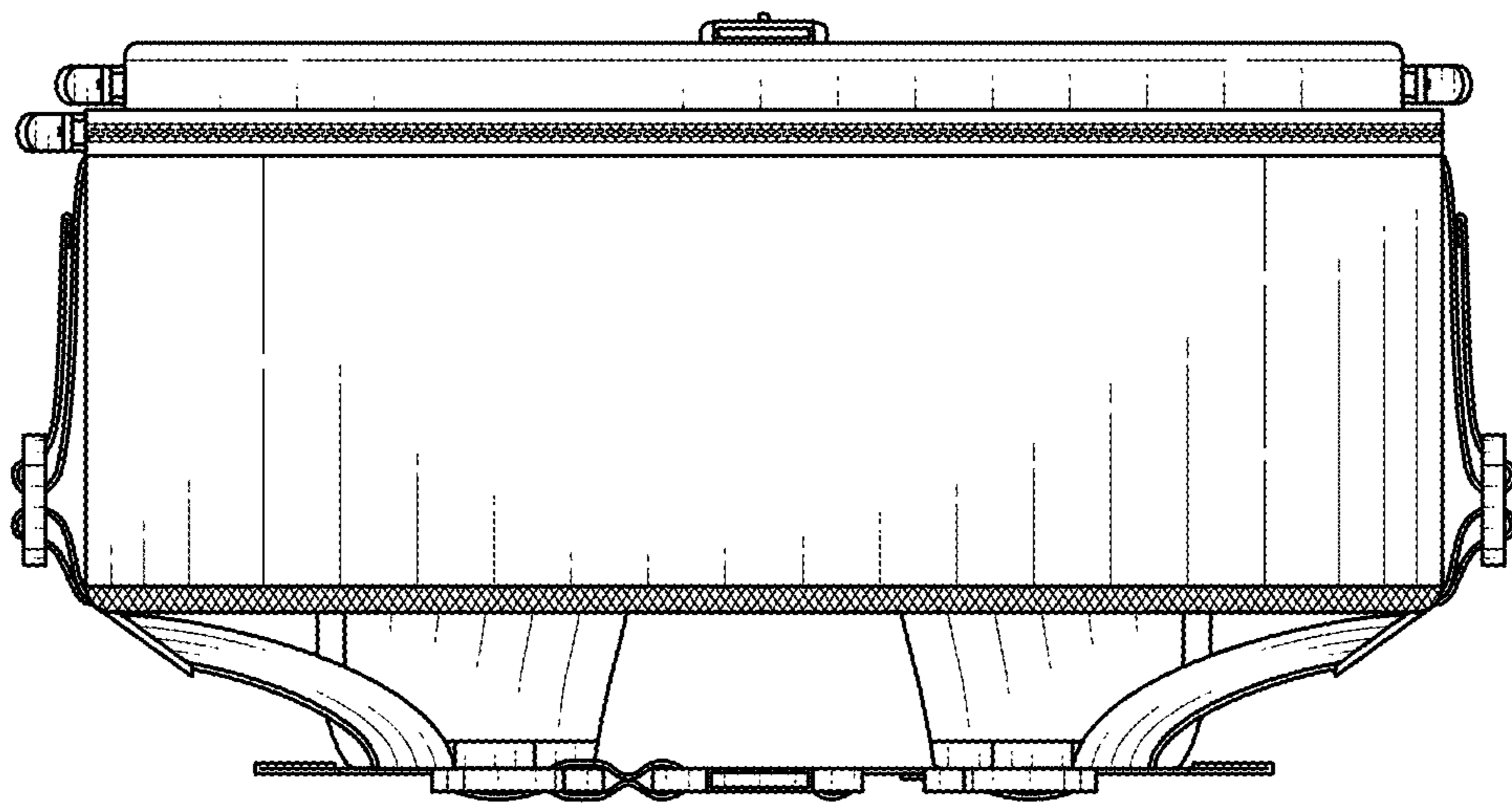


FIG. 8