



US00D912971S

(12) **United States Design Patent** (10) **Patent No.:** **US D912,971 S**  
**Plaul** (45) **Date of Patent:** **\*\* Mar. 16, 2021**

(54) **KEY HOLDER**

(71) Applicant: **Rocked-Empire GmbH**, Leipzig (DE)

(72) Inventor: **Ingo Plaul**, Leipzig (DE)

(\*\*) Term: **15 Years**

(21) Appl. No.: **35/508,111**

(22) Filed: **Oct. 7, 2019**

(80) **Hague Agreement Data**

Int. Filing Date: **Oct. 7, 2019**

Int. Reg. No.: **DM/204599**

Int. Reg. Date: **Oct. 7, 2019**

Int. Reg. Pub. Date: **Dec. 13, 2019**

(51) **LOC (13) Cl.** ..... **03-01**

(52) **U.S. Cl.**

USPC ..... **D3/207**

CPC ..... **A45C 11/32** (2013.01)

(58) **Field of Classification Search**

USPC ..... D3/207-212; D16/100; D8/98, 99, 100,  
D8/105, 107, 118; D14/411, 496;  
D26/28; D11/79, 81, 82, 86, 87;  
70/456 B, 457, 458, 708; 21/604, 605,  
21/656, 658, 659; 24/3.6, 457, 458;  
D10/104; 206/37.1

CPC ..... A45C 11/32; A47G 29/10; H04B 1/034;  
F04B 15/00; E05B 19/04; A44B 15/00;  
A44B 15/002; A44B 15/005; A44B  
15/007

See application file for complete search history.

(56) **References Cited**

**U.S. PATENT DOCUMENTS**

4,253,321 A \* 3/1981 Sorensen ..... A45C 11/324  
70/456 R  
4,646,913 A \* 3/1987 Wing et al. .... A45C 11/324  
206/37.2

D680,732 S \* 4/2013 Nagy ..... D3/207  
D705,533 S \* 5/2014 Tunney ..... D3/207  
D714,537 S \* 10/2014 Busch ..... D3/207  
D728,922 S \* 5/2015 Taylor ..... D3/207  
D754,427 S \* 4/2016 Tunney ..... D3/207  
D754,428 S \* 4/2016 Tunney ..... D3/207  
D756,629 S \* 5/2016 Tunney ..... D3/207  
D756,630 S \* 5/2016 Tunney ..... D3/207  
D771,936 S \* 11/2016 Shlaferman ..... D3/207  
D794,321 S \* 8/2017 Downes ..... D3/207  
D796,184 S \* 9/2017 Terkel ..... D3/207  
D821,739 S \* 7/2018 Hirschorn ..... D3/207  
D824,162 S \* 7/2018 Terkel ..... D3/207  
D833,139 S \* 11/2018 Hadden ..... D3/207  
D858,087 S \* 9/2019 Julianloo ..... D3/207  
D861,326 S \* 10/2019 Riley ..... D3/207  
D891,088 S \* 7/2020 Rolandsen ..... D3/207

\* cited by examiner

*Primary Examiner* — Richard E Chilcot

(57) **CLAIM**

The ornamental design for a key holder, as shown and described.

**DESCRIPTION**

1. Key holder

1.1 is a top, right side perspective view of a key holder showing my new design;

1.2 is a top view thereof;

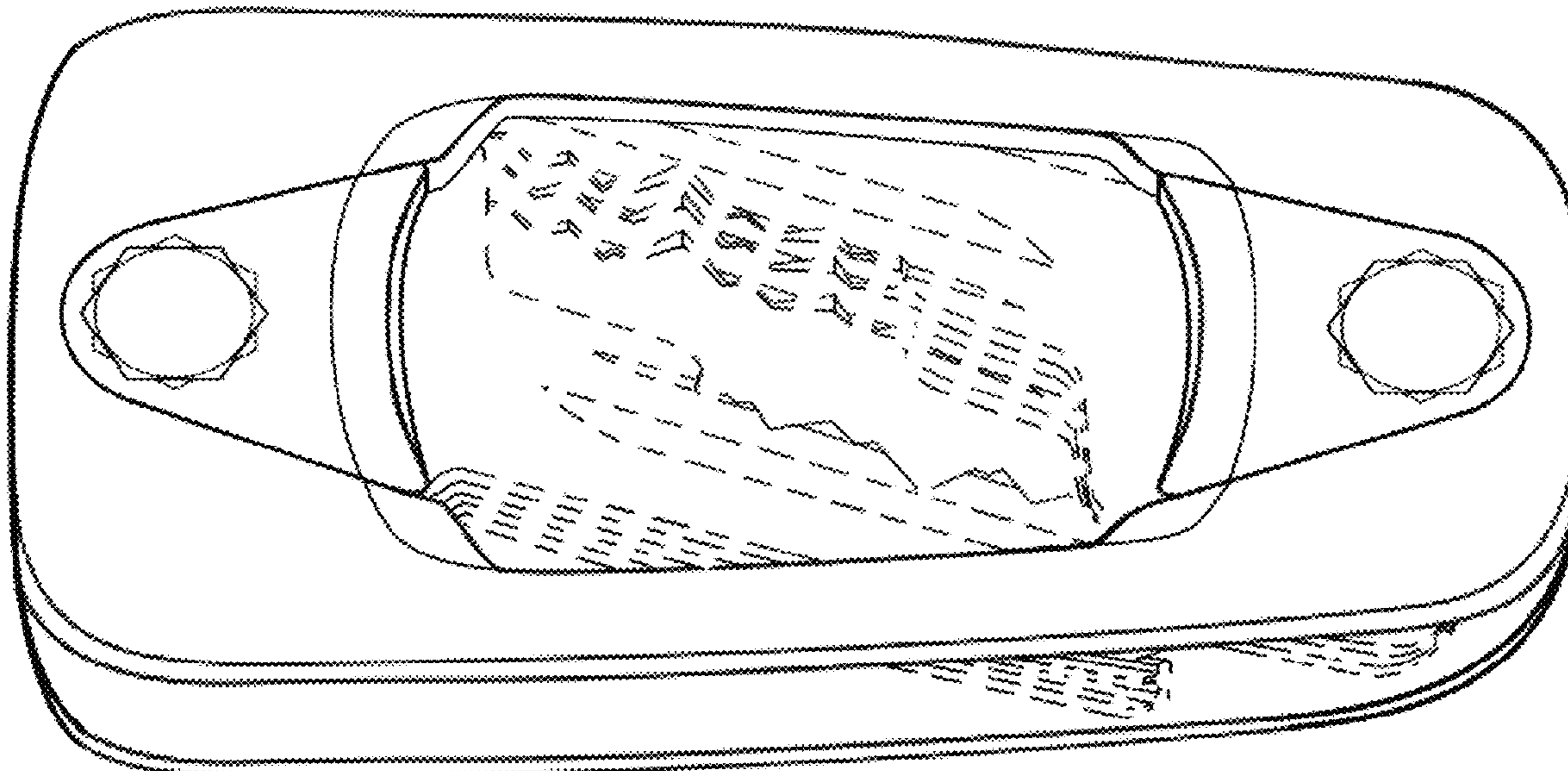
1.3 is a bottom, left side view thereof;

1.4 is a bottom view thereof; and

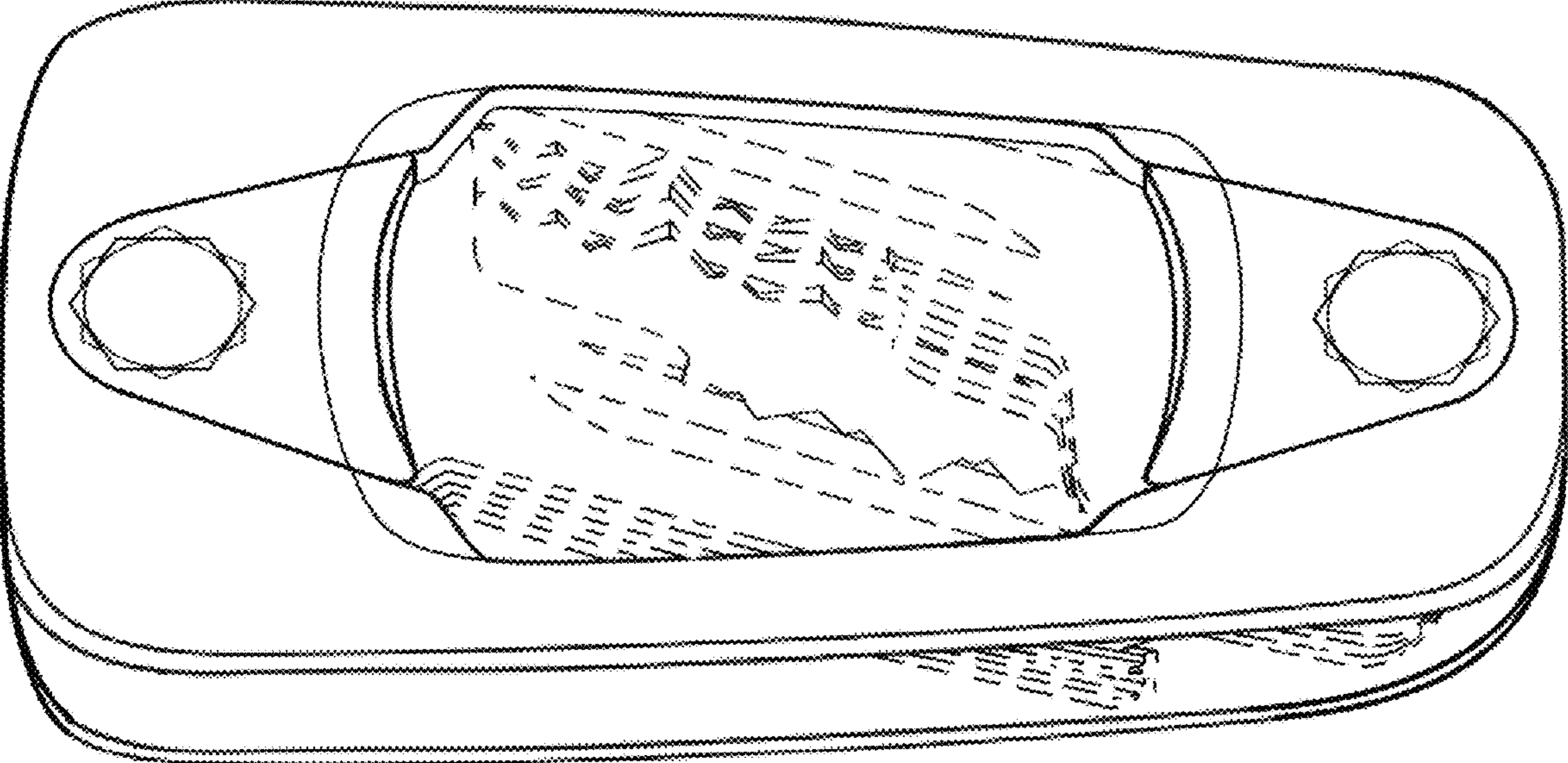
1.5 is a front view thereof.

The broken line showing of keys in illustrations 1.1 and 1.3 is for the purpose of illustrating environmental structure and forms no part of the claimed design.

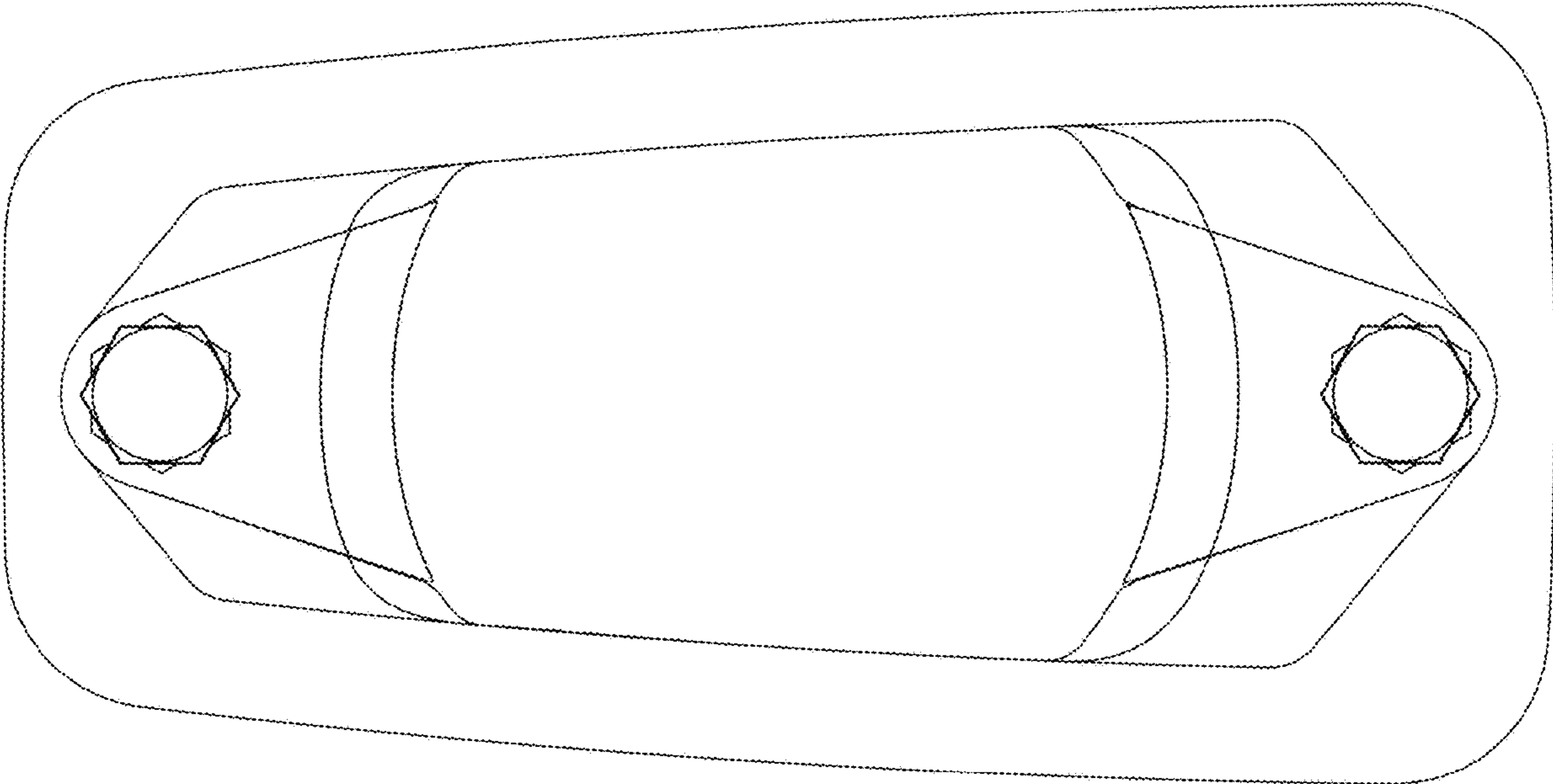
**1 Claim, 5 Drawing Sheets**



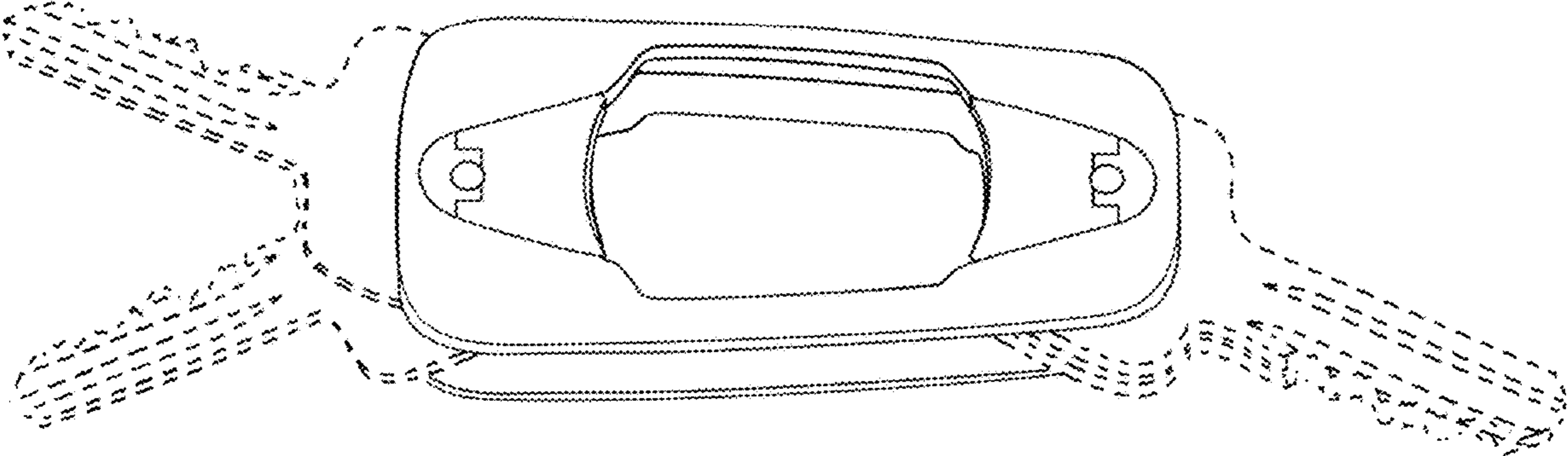
1.1



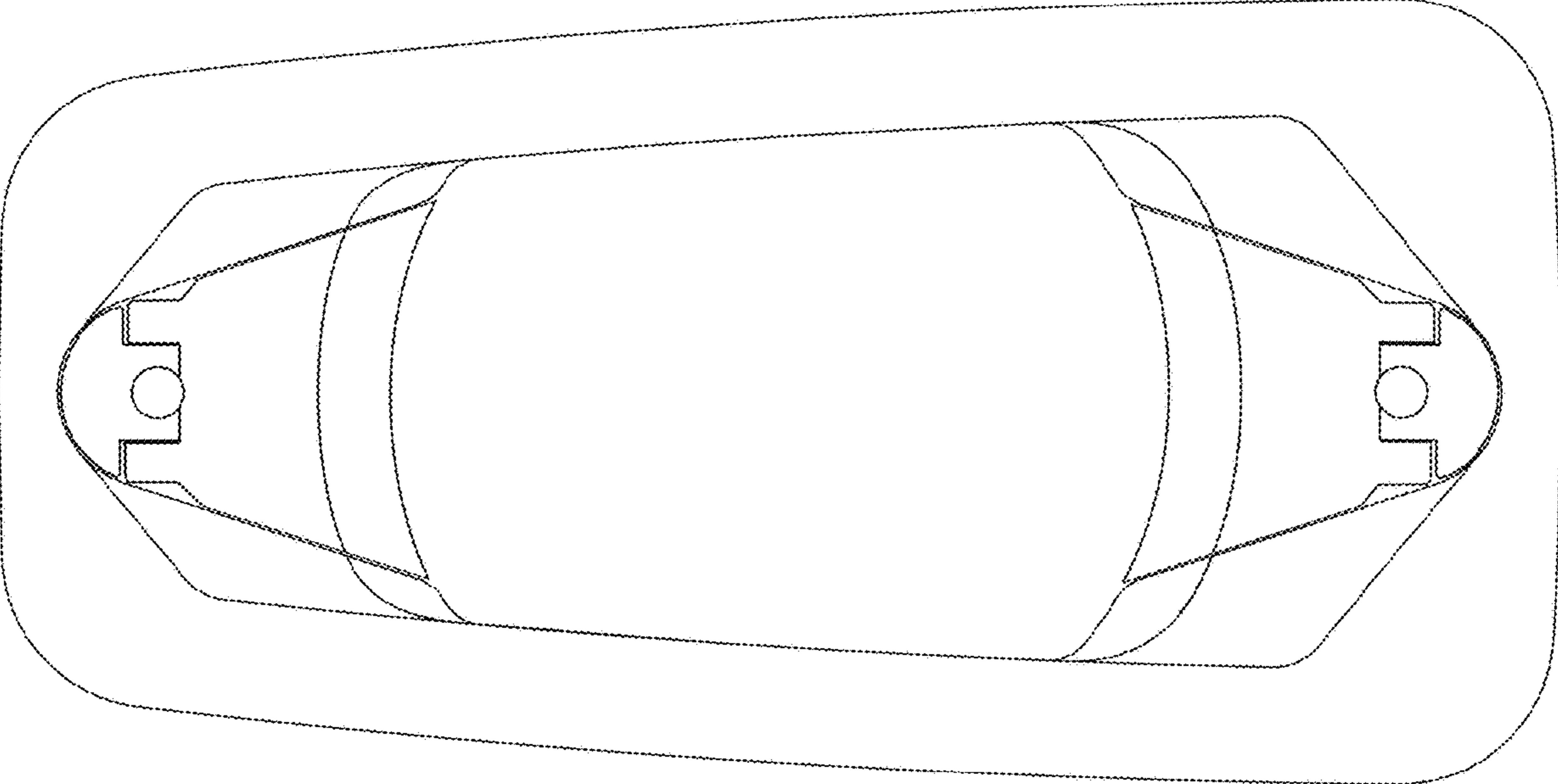
1.2



1.3



1.4



1.5

