



US00D912956S

(12) **United States Design Patent**
Witherow

(10) **Patent No.:** **US D912,956 S**
(45) **Date of Patent:** **** Mar. 16, 2021**

- (54) **SHOE**
- (71) Applicant: **NIKE, Inc.**, Beaverton, OR (US)
- (72) Inventor: **Leon Witherow**, Beaverton, OR (US)
- (73) Assignee: **NIKE, Inc.**, Beaverton, OR (US)
- (**) Term: **15 Years**
- (21) Appl. No.: **29/713,009**
- (22) Filed: **Nov. 13, 2019**
- (51) **LOC (13) Cl.** **02-04**
- (52) **U.S. Cl.**
USPC **D2/953**; D2/951; D2/957; D2/960
- (58) **Field of Classification Search**
USPC D2/902, 906, 908, 916, 918, 925,
D2/946–962, 977; 36/1, 1.5, 3 B, 22 R,
36/24.5, 25 R, 28, 32 R, 34 R, 59 C,
36/67 A, 101–107, 114–116, 117.3, 117.4,
36/124–136
CPC A43B 13/00; A43B 13/02; A43B 13/023;
A43B 13/026; A43B 13/04; A43B 13/08;
A43B 13/10; A43B 13/12; A43B 13/14;
A43B 13/141; A43B 13/143; A43B
13/16; A43B 13/18; A43B 13/181; A43B
13/187; A43B 13/189; A43B 13/20; A43B
13/22; A43B 13/223; A43B 13/24; A43B
13/28; A43B 13/30; A43B 13/32; A43B
13/34; A43B 13/36
See application file for complete search history.

(56) **References Cited**
U.S. PATENT DOCUMENTS

| | | | |
|--------------|--------|----------|---------|
| 4,316,334 A | 2/1982 | Hunt | |
| D275,148 S | 8/1984 | Bergmans | |
| D291,147 S * | 8/1987 | Kelley | 36/32 R |
| D295,459 S * | 5/1988 | Zuidema | D2/954 |
| D296,724 S * | 7/1988 | Peterson | D2/957 |

| | | | |
|--------------|---------|----------------|--------|
| D318,365 S * | 7/1991 | Thornton | D2/960 |
| D376,471 S | 12/1996 | Kahn et al. | |
| D429,553 S | 8/2000 | Kelchak | |
| D490,225 S * | 5/2004 | McClaskie | D2/960 |
| D573,780 S * | 7/2008 | Davis | D2/951 |
| D584,887 S * | 1/2009 | Earle | D2/951 |
| D662,296 S * | 6/2012 | Christopherson | D2/960 |
| D684,348 S * | 6/2013 | Castellon | D2/960 |
| D685,982 S * | 7/2013 | Mazza | D2/944 |
| D740,007 S * | 10/2015 | Lan | D2/954 |
| D748,386 S * | 2/2016 | Henderson | D2/960 |
| D778,565 S * | 2/2017 | Sars | D2/960 |
| D782,799 S | 4/2017 | Caron et al. | |
| D792,690 S * | 7/2017 | Swierszczk | D2/957 |
| D801,658 S * | 11/2017 | Huard | D2/960 |
| D821,070 S * | 6/2018 | Brunner | D2/908 |

(Continued)

OTHER PUBLICATIONS

What Is Phylon Foam?, BestWalkingShoeReviews.com, [online], [site visited Dec. 14, 2020]. <URL: <https://bestwalkingshoereviews.com/the-importance-of-having-shoes-with-eva-midsoles/#11>> (Year: 2020).*

(Continued)

Primary Examiner — T Chase Nelson
Assistant Examiner — Jonathan J. Han
(74) *Attorney, Agent, or Firm* — Banner & Witcoff, Ltd.

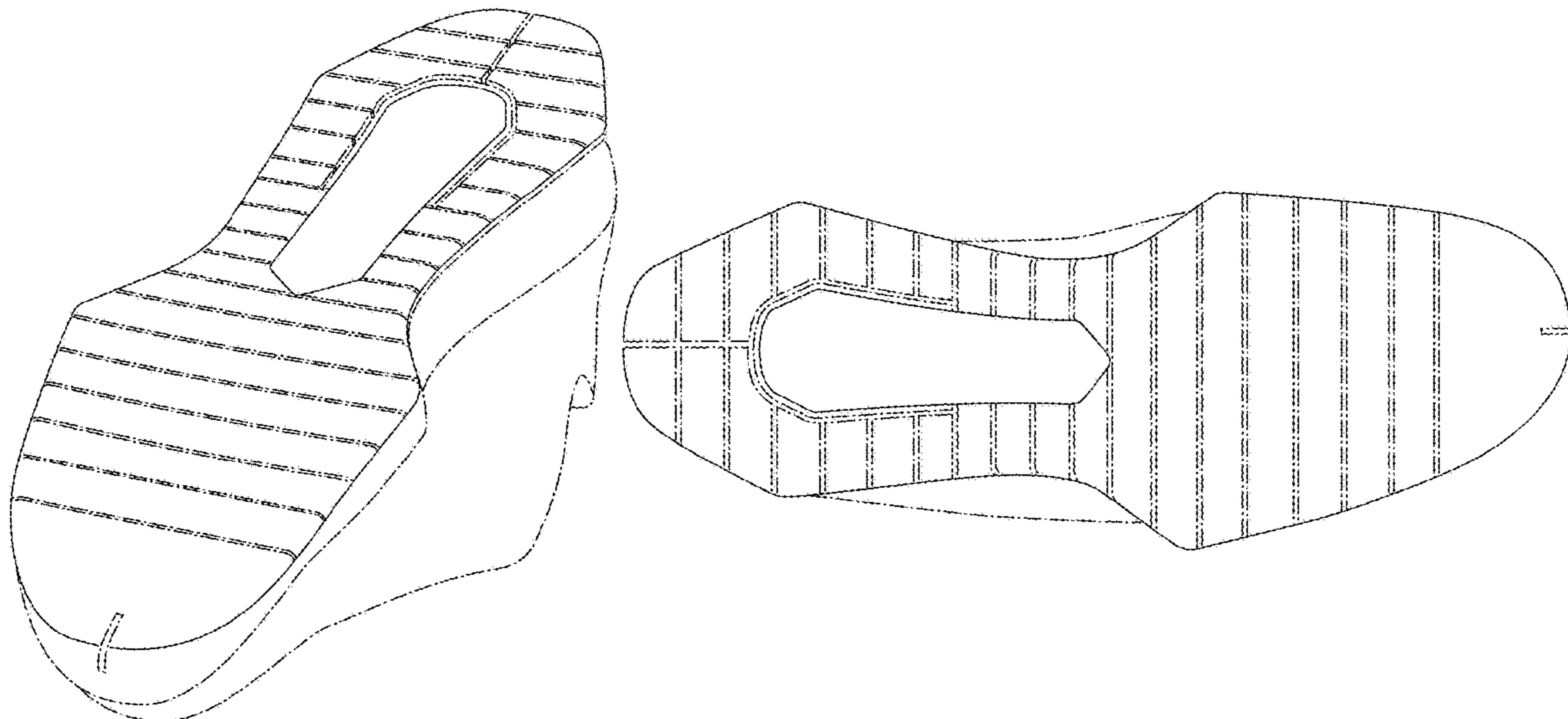
(57) **CLAIM**

The ornamental design for a shoe, as shown and described.

DESCRIPTION

FIG. 1 is a front perspective view of a shoe showing my new design; and,
FIG. 2 is a bottom view thereof.
The claim consists of the solid line inner and outer edges of the depicted sole elements. The broken lines depicting the remainder of the shoe form no part of the claimed design.

1 Claim, 2 Drawing Sheets



(56)

References Cited

U.S. PATENT DOCUMENTS

D822,966 S * 7/2018 Thompson D2/953
D827,257 S * 9/2018 Ringholz D2/916
D840,653 S * 2/2019 Carmi D2/961
D843,095 S * 3/2019 Birkinhead D2/957
D861,309 S * 10/2019 Wang D2/957
D862,060 S * 10/2019 Weeks D2/957
D862,061 S * 10/2019 Wilkinson D2/960
D866,933 S * 11/2019 Mazza D2/908
D872,983 S * 1/2020 Louboutin D2/947
D874,105 S * 2/2020 Rauner D2/947
D882,219 S * 4/2020 Hartmann D2/947
D889,079 S * 7/2020 West D2/926
D889,080 S * 7/2020 West D2/926
D889,092 S * 7/2020 Verfl D2/954
D893,836 S * 8/2020 Montross D2/902

OTHER PUBLICATIONS

Cloudswift, On-Running.com, [online], [site visited Dec. 14, 2020].

<Url: <https://www.on-running.com/en-us/products/cloudswift/womens/lake-sky>> (Year: 2020).*

Super light amd high quality eva outsole durability for casual and sport shoe, BefShoe.com, [online], [site visited Dec. 14, 2020].

<URL : <https://www.befshoe.com/super-light-amd-high-quality-eva-outsole-durability-for-causal-and-sport-shoe>> (Year: 2020).*

“Nike Romaleos 2 Review”; Weight Lifting Footwear; retrieved Oct. 28, 2019; published Aug. 26, 2016; URL: <<http://www.weightliftingfootwear.com/nike-romaleos-2-review/>>.

“Nike Romaleos 3 XD Shoe Review”; Fit At Midlife ; retrieved Oct. 28, 2019; published Oct. 27, 2019; URL: <<https://fitatmidlife.com/nike-romaleos-3-xd-shoe-review/>>.

* cited by examiner

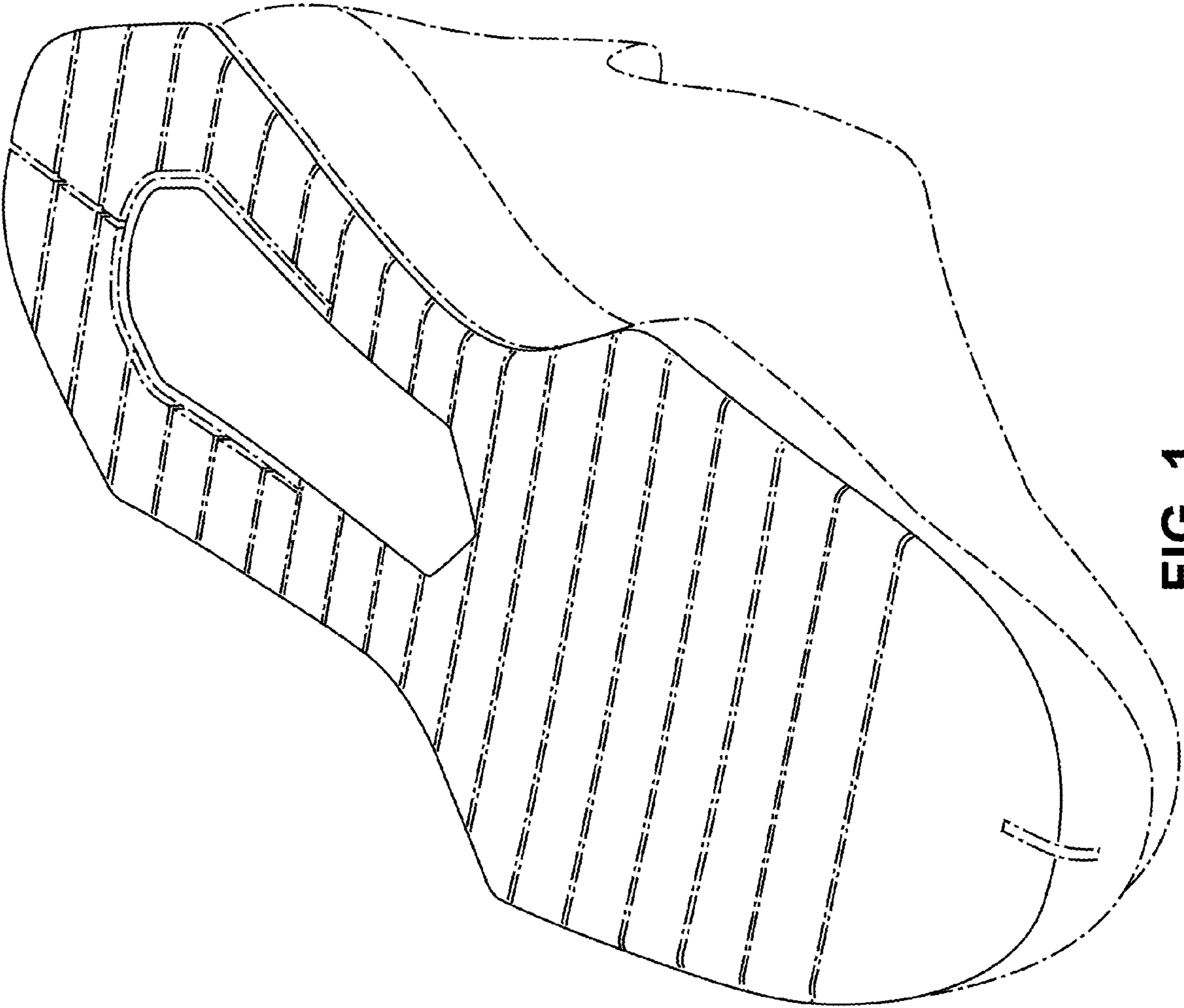


FIG. 1

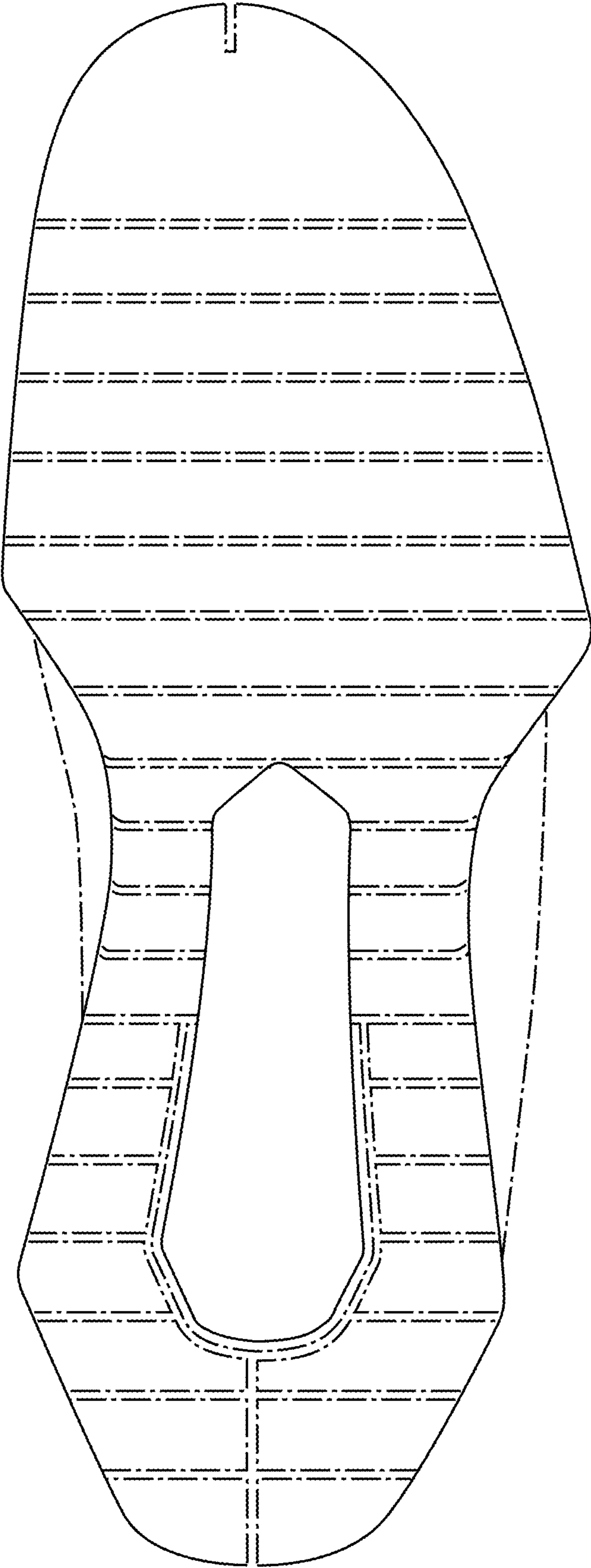


FIG. 2