



US00D912951S

(12) **United States Design Patent**  
**Ochipa et al.**

(10) **Patent No.:** **US D912,951 S**  
(45) **Date of Patent:** **\*\* Mar. 16, 2021**

(54) **FOOTWEAR ARCH SUPPORT**

(71) Applicant: **S9, LLC**, Bonita Springs, FL (US)

(72) Inventors: **Matthew Ochipa**, Fort Myers, FL (US); **John M. Chenciner**, Naples, FL (US)

(73) Assignee: **S9, LLC**, Bonita Springs, FL (US)

(\*\*) Term: **15 Years**

(21) Appl. No.: **29/735,619**

(22) Filed: **May 22, 2020**

**Related U.S. Application Data**

(63) Continuation of application No. 29/678,734, filed on Jan. 30, 2019, now Pat. No. Des. 885,022.

(51) **LOC (13) Cl.** ..... **02-04**

(52) **U.S. Cl.**

USPC ..... **D2/947**

(58) **Field of Classification Search**

USPC ..... D2/902, 906, 908, 916, 918, 925, D2/946-962, 977; 36/1, 1.5, 3 B, 22 R, 36/24.5, 25 R, 28, 32 R, 34 R, 59 C, 36/67 A, 101-107, 114-116, 117.3, 117.4, 36/124-136

CPC ..... A43B 13/00; A43B 13/02; A43B 13/023; A43B 13/026; A43B 13/04; A43B 13/08; A43B 13/10; A43B 13/12; A43B 13/14; A43B 13/141; A43B 13/143; A43B 13/16; A43B 13/18; A43B 13/181; A43B 13/187; A43B 13/189; A43B 13/20; A43B 13/22; A43B 13/223; A43B 13/24; A43B 13/28; A43B 13/30; A43B 13/32; A43B 13/34; A43B 13/36

See application file for complete search history.

(56) **References Cited**

**U.S. PATENT DOCUMENTS**

5,577,334 A 11/1996 Park  
D378,012 S 2/1997 Le  
D390,900 S 2/1998 Lee

(Continued)

**FOREIGN PATENT DOCUMENTS**

CN 203290319 U 11/2013  
EP 2 443 952 A1 4/2011

**OTHER PUBLICATIONS**

Nike Air Max 1/90 Midsole Restoration, sq210.blogspot.com, Thursday, Apr. 25, 2013, [online], [site visited Mar. 16, 2020]. <URL: http://sq210.blogspot.com/2013/04/nike-air-max-190-midsole-restoration.html> (Year: 2013).

(Continued)

*Primary Examiner* — T Chase Nelson

*Assistant Examiner* — Jonathan J. Han

(74) *Attorney, Agent, or Firm* — Craig R. Miles; CR Miles P.C.

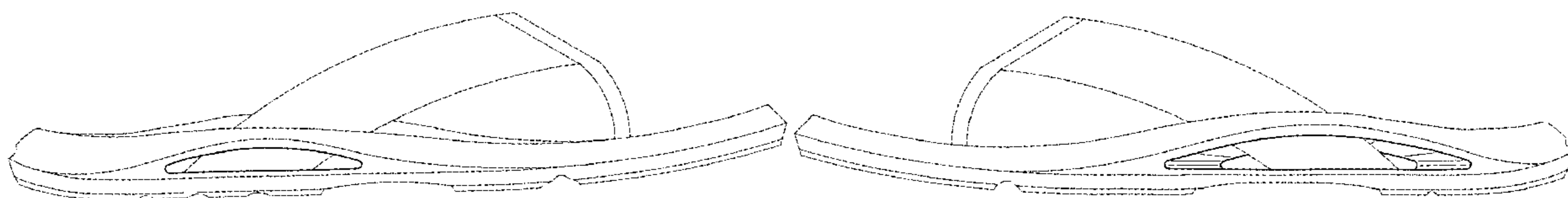
(57) **CLAIM**

We claim the ornamental design for a footwear arch support, as shown and described.

**DESCRIPTION**

FIG. 1 is a side elevation of a footwear arch support, embodying our new design;  
FIG. 2 is an opposite side elevation view thereof;  
FIG. 3 is top plan view thereof;  
FIG. 4 is a bottom plan view thereof;  
FIG. 5 is a front elevation view thereof;  
FIG. 6 is a rear elevation view thereof;  
FIG. 7 is a top perspective view thereof; and,  
FIG. 8 is an opposite top perspective view thereof.  
The broken lines shown are included for the purpose of illustrating portions of the article that form no part of the claimed design.

**1 Claim, 5 Drawing Sheets**



(56)

References Cited

U.S. PATENT DOCUMENTS

6,094,844 A 8/2000 Potts  
 6,301,807 B1 10/2001 Gardiner  
 D489,525 S 5/2004 Snow et al.  
 D517,788 S \* 3/2006 Seamans ..... D2/969  
 D575,482 S \* 8/2008 Hoyt ..... D2/896  
 D575,937 S 9/2008 Klavano  
 D576,394 S \* 9/2008 Heller ..... D2/951  
 D604,482 S 11/2009 Fletcher  
 D608,990 S 2/2010 Truelsen  
 D614,849 S \* 5/2010 Guest ..... D2/972  
 D616,637 S 6/2010 Taestensen  
 D617,983 S \* 6/2010 Raysse ..... D2/947  
 D632,878 S \* 2/2011 Raysse ..... D2/946  
 D636,567 S \* 4/2011 Raysse ..... D2/946  
 D642,775 S 8/2011 Raysse  
 D642,776 S \* 8/2011 Raysse ..... D2/946  
 D643,601 S \* 8/2011 Raysse ..... D2/946  
 D655,489 S 3/2012 Mahoney  
 D655,897 S \* 3/2012 Mahoney ..... D2/902  
 D676,636 S 2/2013 Truelsen  
 D679,899 S \* 4/2013 Taestensen ..... D2/953  
 D680,726 S \* 4/2013 Propet ..... D2/960  
 D681,930 S 5/2013 Hansen  
 D683,117 S 5/2013 Truelsen  
 D692,645 S 11/2013 Truelsen  
 D695,505 S 12/2013 Hansen  
 D699,930 S 2/2014 Potts  
 D703,931 S \* 5/2014 Bikowski ..... D2/957  
 D708,824 S \* 7/2014 Hansen ..... D2/916  
 D708,827 S \* 7/2014 Kue ..... D2/923  
 D709,272 S \* 7/2014 Del Biondi ..... D2/923  
 D712,124 S 9/2014 Truelsen  
 D716,535 S 11/2014 Seo  
 D728,910 S 5/2015 Hansen  
 D731,157 S 6/2015 Fongher  
 D734,930 S 7/2015 Bikowski  
 D740,004 S \* 10/2015 Hoellmueller ..... D2/947  
 D740,529 S \* 10/2015 Bikowski ..... D2/951

D741,584 S \* 10/2015 Christopherson ..... D2/947  
 D742,106 S 11/2015 Taestensen  
 D743,151 S \* 11/2015 Toliver ..... D2/944  
 D743,152 S \* 11/2015 Toliver ..... D2/944  
 D754,956 S 5/2016 McCourt  
 D767,862 S 10/2016 Hurayt  
 D773,159 S 12/2016 Seamarks  
 9,620,100 B2 \* 4/2017 Ochipa ..... A43B 3/0021  
 D801,013 S 10/2017 Laska et al.  
 D804,788 S 12/2017 Bikowski  
 D841,304 S 2/2019 DeAlmeida  
 D853,090 S 7/2019 Yang  
 D864,539 S 10/2019 Fuerst, Sr.  
 D876,762 S 3/2020 Petrenka  
 D876,763 S 3/2020 Petrenka  
 D876,764 S 3/2020 Petrenka  
 D876,768 S \* 3/2020 Aden ..... D2/947  
 D876,770 S \* 3/2020 Aden ..... D2/947  
 D885,022 S \* 5/2020 Ochipa ..... D2/947  
 D887,690 S \* 6/2020 Blimel ..... D2/947  
 D890,488 S \* 7/2020 Vella ..... D2/947  
 2003/0005600 A1 \* 1/2003 Kita ..... A43B 23/227  
 36/76 R  
 2005/0235526 A1 10/2005 Kim  
 2010/0018077 A1 1/2010 Marone et al.  
 2010/0293811 A1 \* 11/2010 Truelsen ..... A43B 23/088  
 36/28  
 2011/0289798 A1 12/2011 Jung et al.  
 2016/0343364 A1 \* 11/2016 Ochipa ..... A43B 13/14  
 2019/0104805 A1 4/2019 Del Biondi et al.

OTHER PUBLICATIONS

Reef Men's Leather Fanning Sandal 8 Brown, LeisurePro.com, [online], [site visited Mar. 16, 2020]. <URL: <https://www.leisurepro.com/p-reemlf/reef-mens-leather-fanning-sandal>> (Year: 2020).  
 Taci Black Waxy Calf, Dansko.com, [online], [site visited Mar. 16, 2020]. <URL: <https://www.dansko.com/taci-black-waxy-calf>> (Year: 2020).

\* cited by examiner

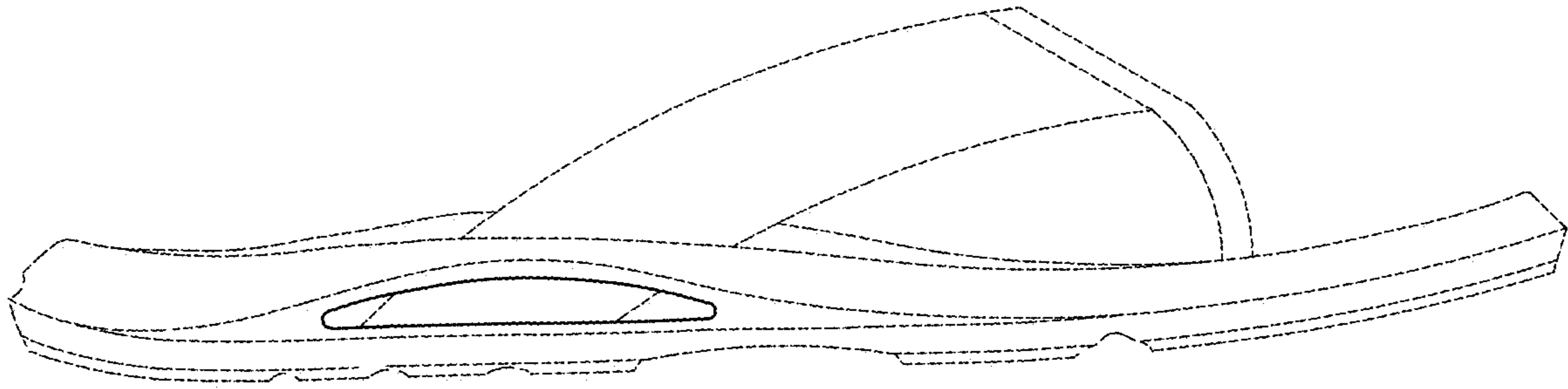


FIG. 1

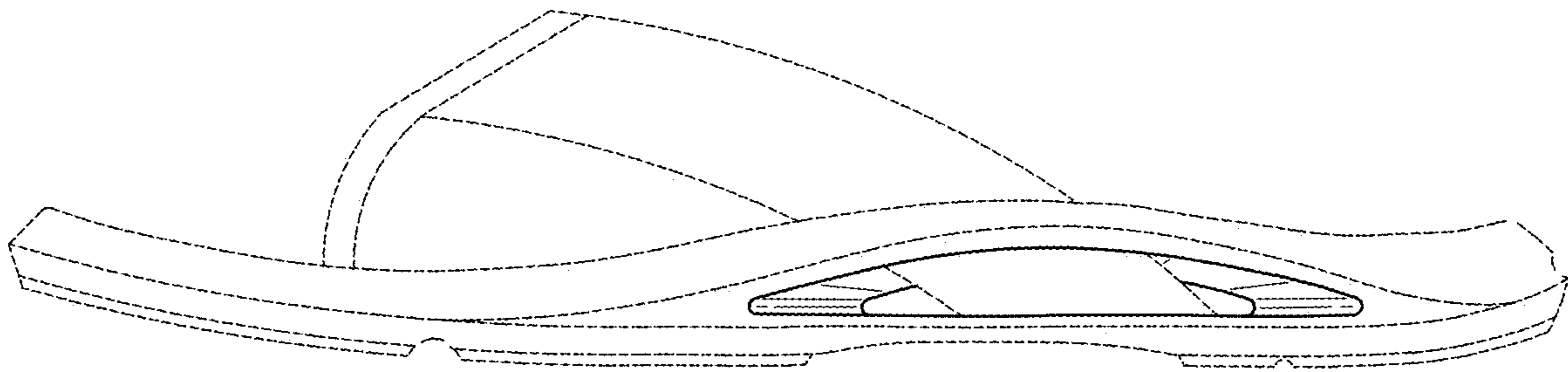
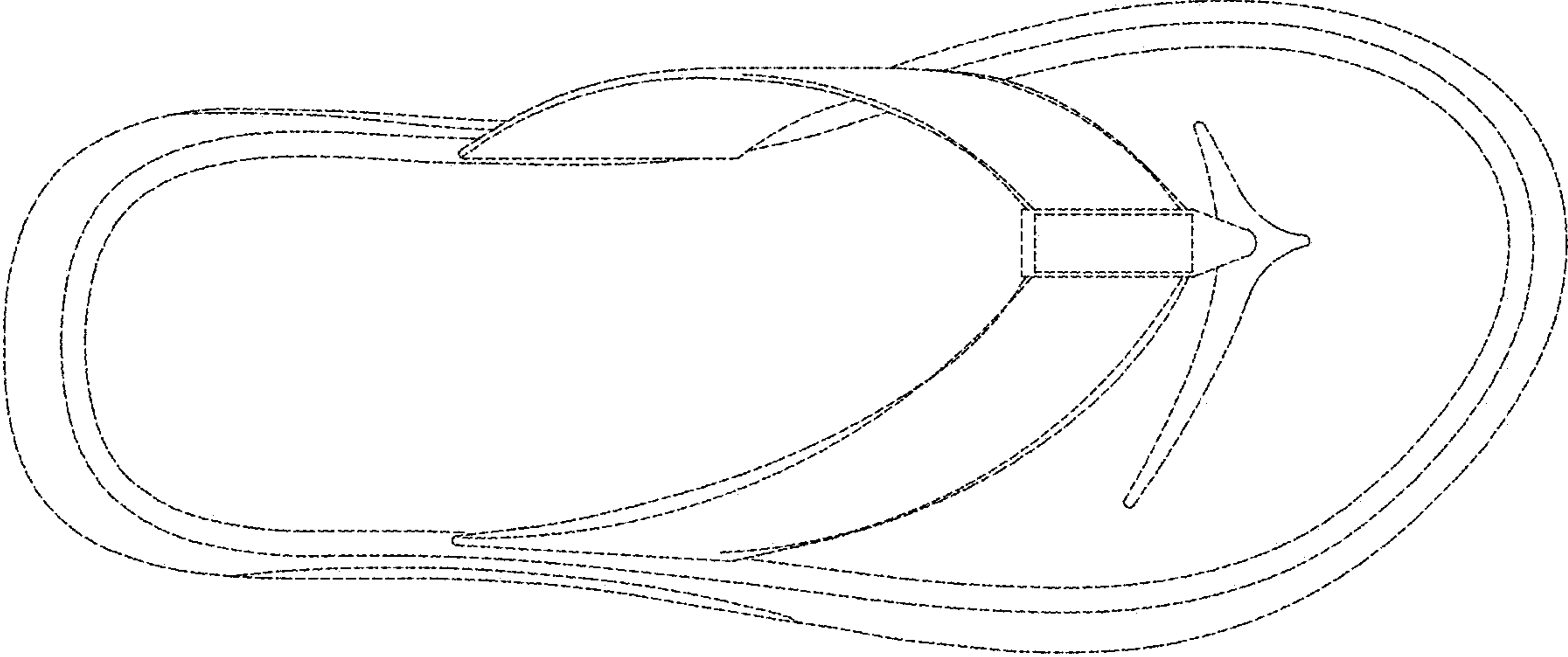
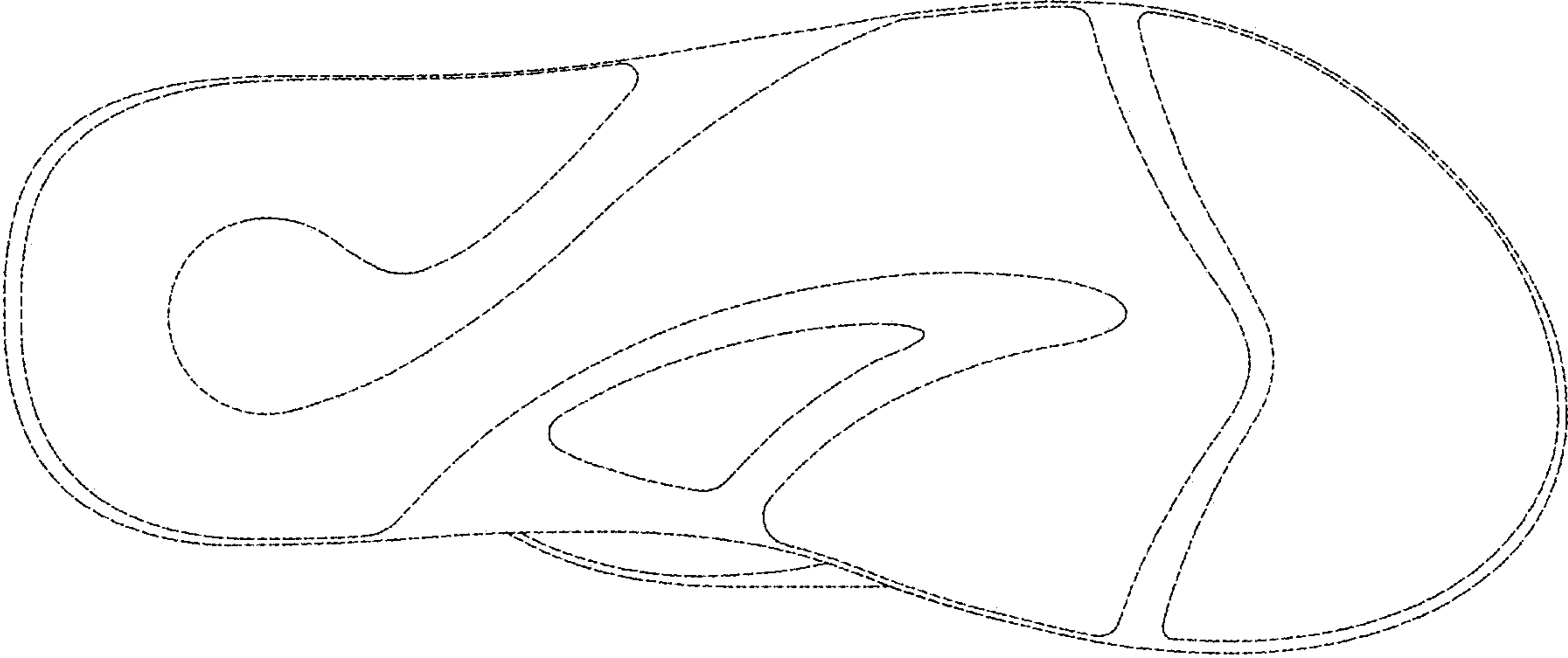


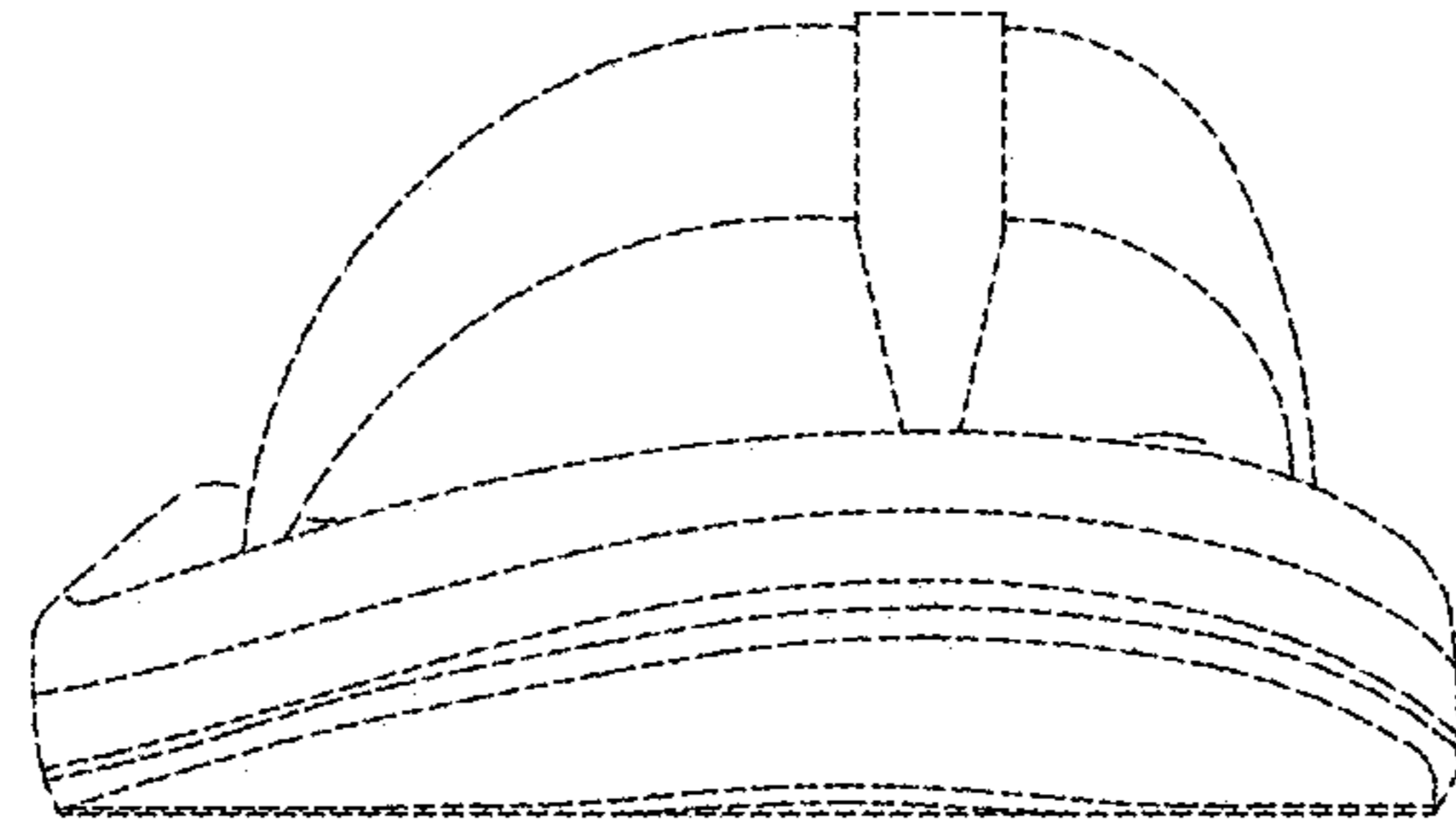
FIG. 2



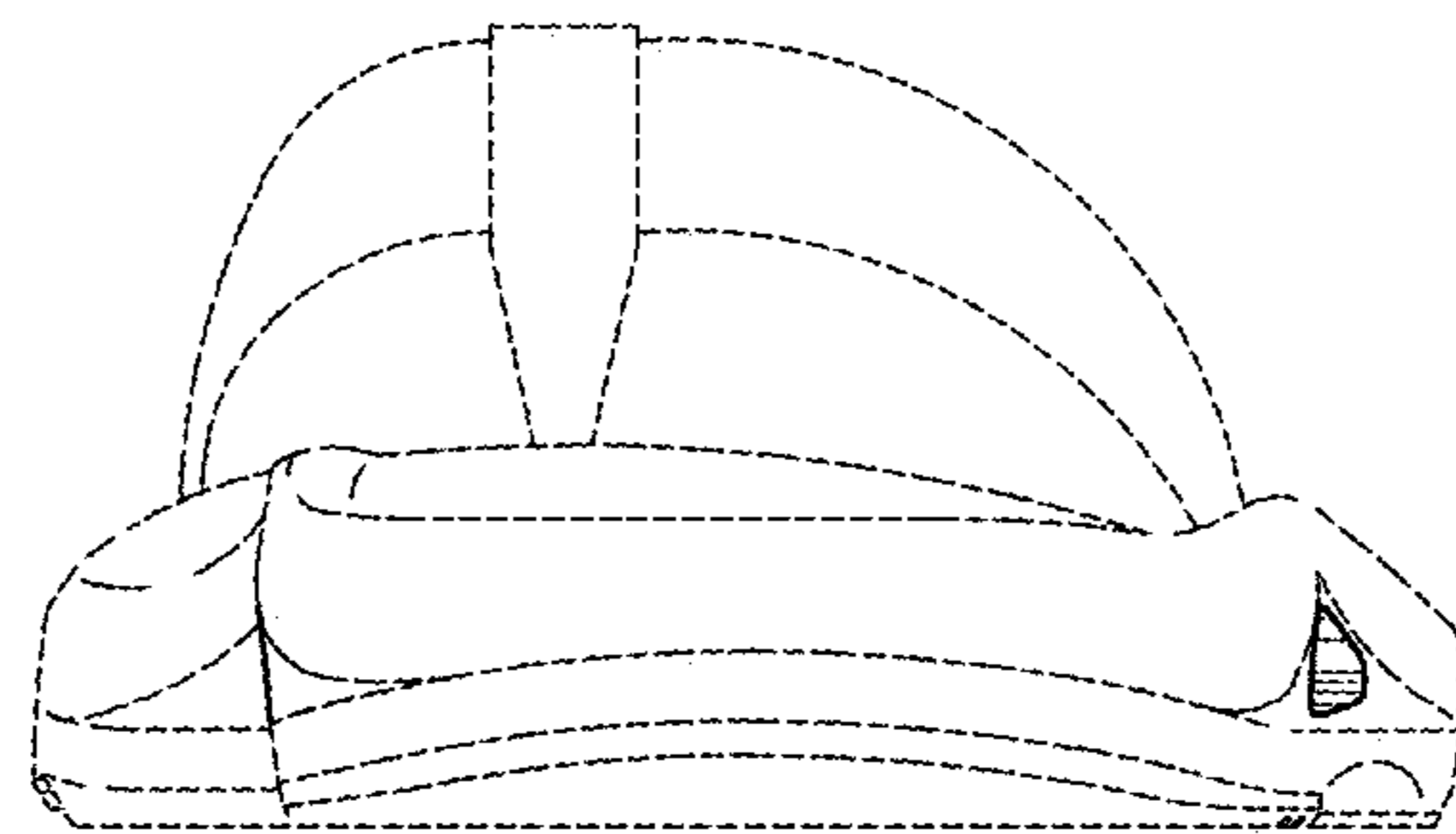
**FIG.3**



**FIG.4**



**FIG. 5**



**FIG. 6**

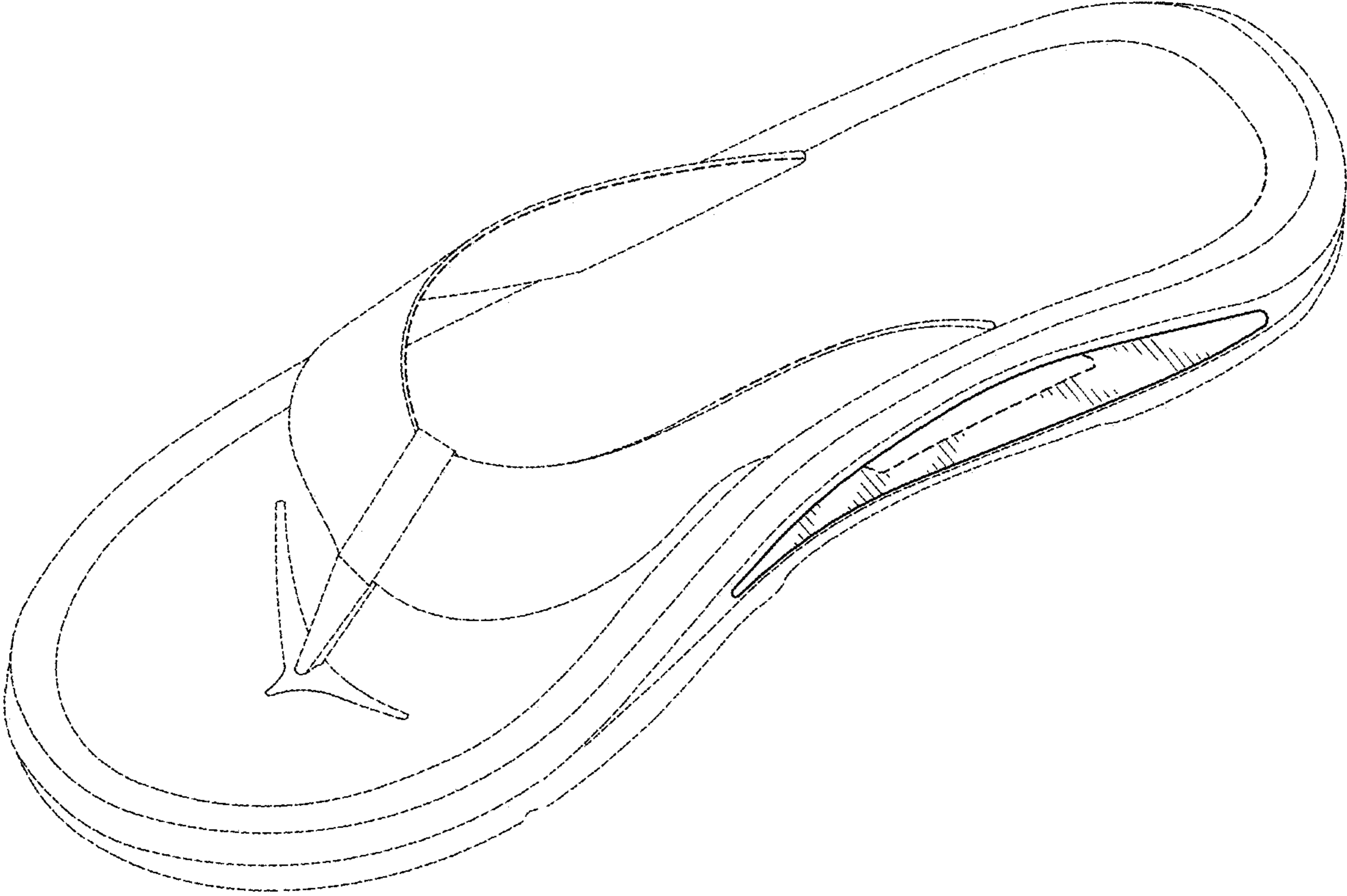
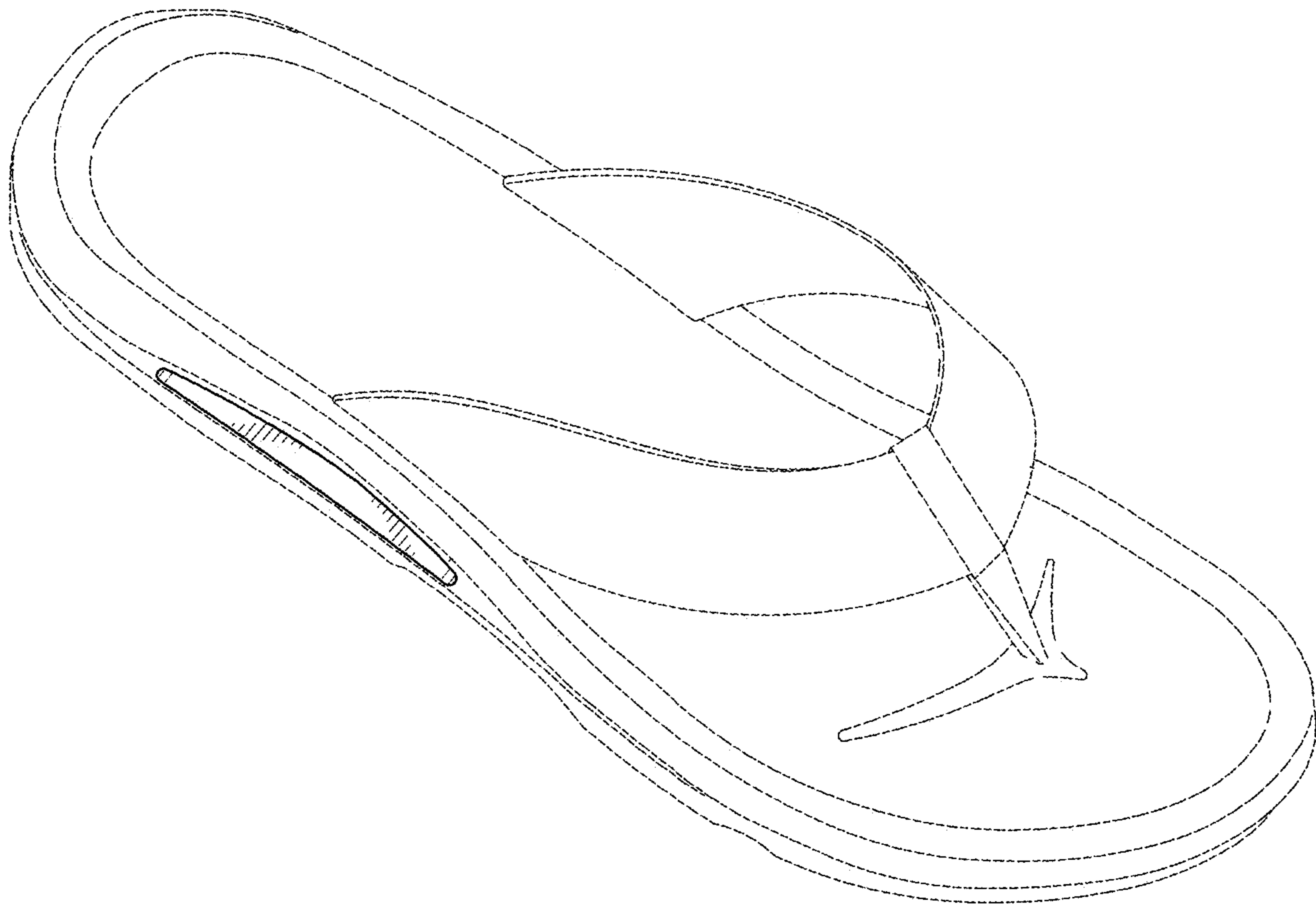


FIG.7



**FIG. 8**