



US00D912945S

(12) **United States Design Patent**  
**Lacy et al.**

(10) **Patent No.:** **US D912,945 S**  
(45) **Date of Patent:** **\*\* \*Mar. 16, 2021**

(54) **WIDE-BRIMMED HAT**

(71) Applicant: **SUNDAY AFTERNOONS, INC.**,  
Talent, OR (US)

(72) Inventors: **Robbin Lacy**, Talent, OR (US); **Acacia Lacy**, Ashland, OR (US); **Russell Hodgdon**, Talent, OR (US)

(73) Assignee: **Sunday Afternoons, Inc.**, Talent, OR (US)

(\* ) Notice: This patent is subject to a terminal disclaimer.

(\*\*) Term: **15 Years**

(21) Appl. No.: **29/659,579**

(22) Filed: **Aug. 9, 2018**

**Related U.S. Application Data**

(62) Division of application No. 29/543,851, filed on Oct. 28, 2015, now Pat. No. Des. 827,990.

(51) **LOC (13) Cl.** ..... **02-03**

(52) **U.S. Cl.**  
USPC ..... **D2/879**

(58) **Field of Classification Search**  
USPC ..... D2/865, 866, 872, 873, 874, 876, 879,  
D2/880, 882, 883, 884, 885, 886, 887,  
D2/891, 893, 895; D29/109  
CPC .. A42B 1/00; A42B 1/008; A42B 1/02; A42B  
1/06; A42B 1/061; A42B 1/062;

(Continued)

(56) **References Cited**

**U.S. PATENT DOCUMENTS**

5,657,490 A 8/1997 Edmark  
D390,340 S 2/1998 Najim  
D399,992 S 10/1998 Edmark

(Continued)

**FOREIGN PATENT DOCUMENTS**

EM 003090653-0001 A1 8/2016  
EM 003090653-0002 A1 8/2016

(Continued)

**OTHER PUBLICATIONS**

Phillips, M., "The Wrong Sun Hat Can Leave Heads Fit to Be Fried," PRWeb Press Release, Available Online at [http://www.prweb.com/releases/sungrubbies\\_sunprotection/sun\\_protective\\_hats/prweb9721926.htm](http://www.prweb.com/releases/sungrubbies_sunprotection/sun_protective_hats/prweb9721926.htm), Jul. 24, 2012, 4 pages.

(Continued)

*Primary Examiner* — Jasmine Mlinarcik

(74) *Attorney, Agent, or Firm* — McCoy Russell LLP

(57) **CLAIM**

The ornamental design for a wide-brimmed hat, as shown and described.

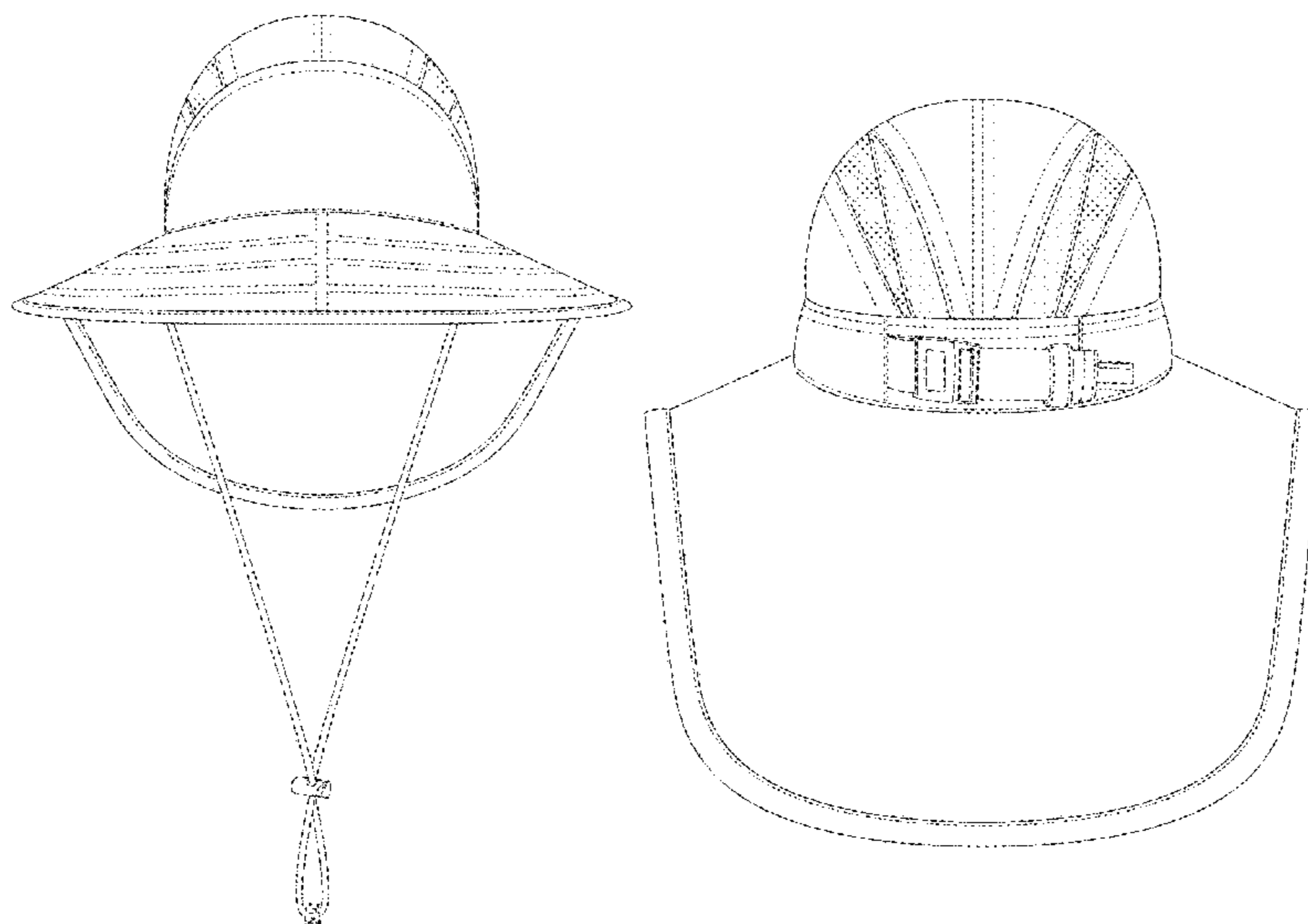
**DESCRIPTION**

FIG. 1 is a front elevation view of a design for a wide-brimmed hat according to the present invention; FIG. 2 is a left side elevation view thereof; FIG. 3 is a right side elevation view thereof; FIG. 4 is a back elevation view thereof; FIG. 5 is a top plan view thereof; and, FIG. 6 is a bottom plan view thereof.

The evenly incremented dashed lines represent environmental structure only and form no part of the claimed design. Patterned shading shown on the hat crown is included in FIGS. 1-6 to show contrasting materials of the wide-brimmed hat, where repeating patterns of offset rows of rounded shapes shown in FIGS. 1-6 and dot stippling shown in FIGS. 2-5 each indicate contrast in material, namely material appearance, relative to each other.

The dash-dot-dot broken lines in the drawings define the bounds of the claim and form no part thereof.

**1 Claim, 6 Drawing Sheets**



(58) **Field of Classification Search**  
 CPC ..... A42B 1/066; A42B 1/067; A42B 1/20;  
 A42B 1/201; A42B 1/205; A42B 1/22  
 See application file for complete search history.

D827,990 S \* 9/2018 Lacy ..... D2/879  
 D841,944 S \* 3/2019 Lacy ..... D2/879  
 D843,087 S \* 3/2019 Foster ..... D2/886  
 D847,472 S \* 5/2019 Foster ..... D2/886  
 2005/0155135 A1\* 7/2005 Cho ..... A42B 1/062  
 2/172

(56) **References Cited**  
 U.S. PATENT DOCUMENTS

2006/0048272 A1 3/2006 Tison  
 2006/0168709 A1 8/2006 Rattay  
 2014/0053316 A1\* 2/2014 Su ..... A42B 1/066  
 2/172

D429,406 S 8/2000 Thaw  
 6,484,323 B1 11/2002 Pu  
 D478,409 S 8/2003 Lesley  
 D532,185 S \* 11/2006 St-Germain ..... D2/866  
 D593,732 S 6/2009 Tilley et al.  
 D594,185 S 6/2009 Lacy  
 D599,533 S 9/2009 Yun  
 D617,083 S \* 6/2010 Yun ..... D2/886  
 D619,788 S 7/2010 Lacy  
 D625,081 S \* 10/2010 Oates ..... D2/879  
 D681,926 S 5/2013 Votel et al.  
 D714,528 S 10/2014 Bartelt  
 D721,874 S \* 2/2015 Robbins ..... D2/886  
 D732,243 S 6/2015 Votel et al.  
 D750,355 S \* 3/2016 Watkins ..... D2/886  
 D768,361 S \* 10/2016 Watkins ..... D2/886  
 D785,911 S 5/2017 Arenson et al.  
 9,655,396 B1 5/2017 Lacy  
 D826,521 S \* 8/2018 Foster ..... D2/886

FOREIGN PATENT DOCUMENTS

EM 003090653-0003 A1 8/2016  
 EM 003090653-0004 A1 8/2016

OTHER PUBLICATIONS

“Dermasafe Hat,” YouTube Website, Available Online at <https://www.youtube.com/watch?v=Y9mHFIdY1fE>, Feb. 9, 2016, 8 pages.  
 “Sundancer Hat,” YouTube Website, Available Online at <https://www.youtube.com/watch?v=fwGYq7B9Ue4>, Feb. 9, 2016, 6 pages.  
 “Wahoo Cap—Sunday Afternoons,” Sunday Afternoons Website, Available Online at <https://www.sundayafternoons.com/p/wahoo-cap/>, Available as Early as Feb. 16, 2017, 4 pages.

\* cited by examiner

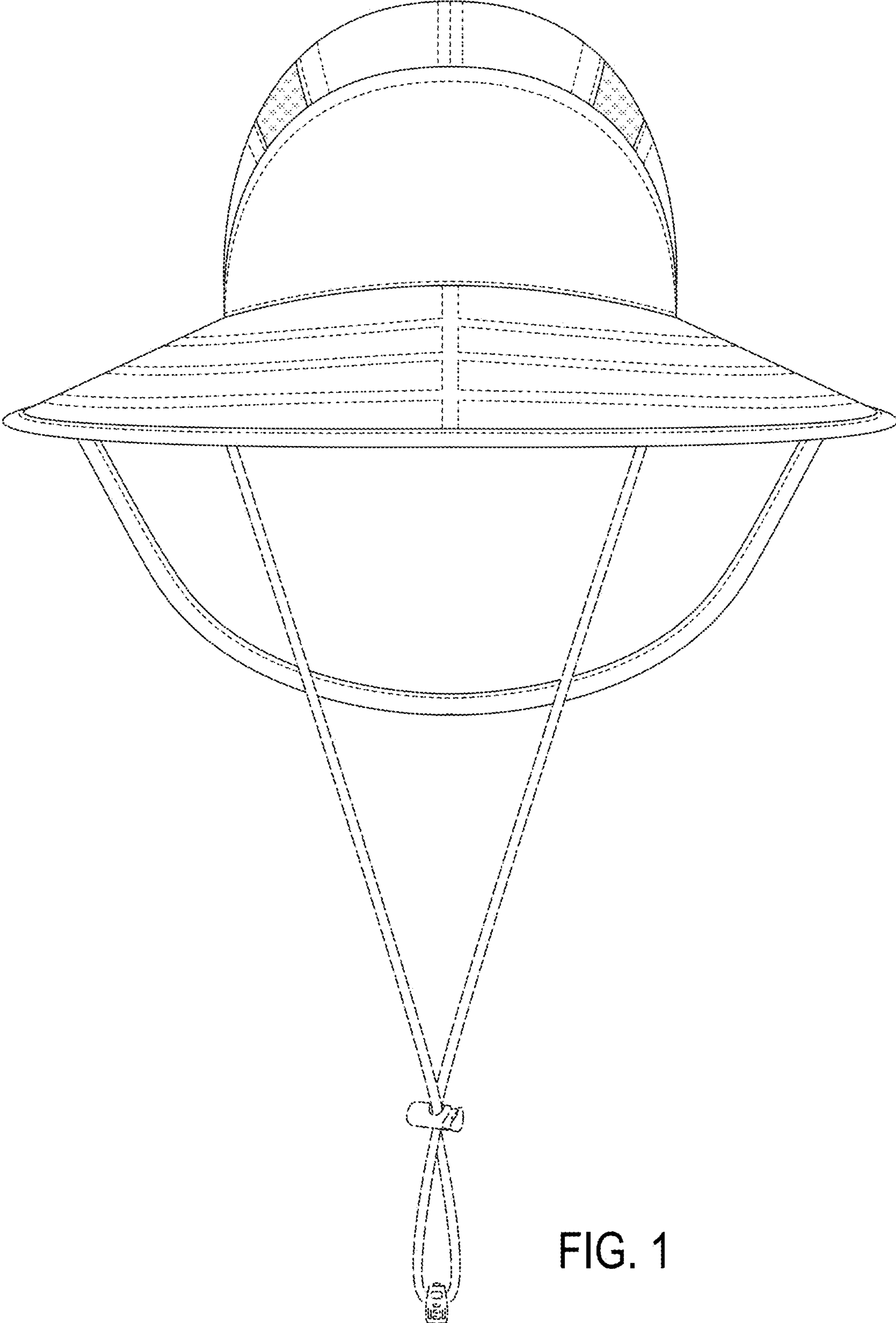


FIG. 1

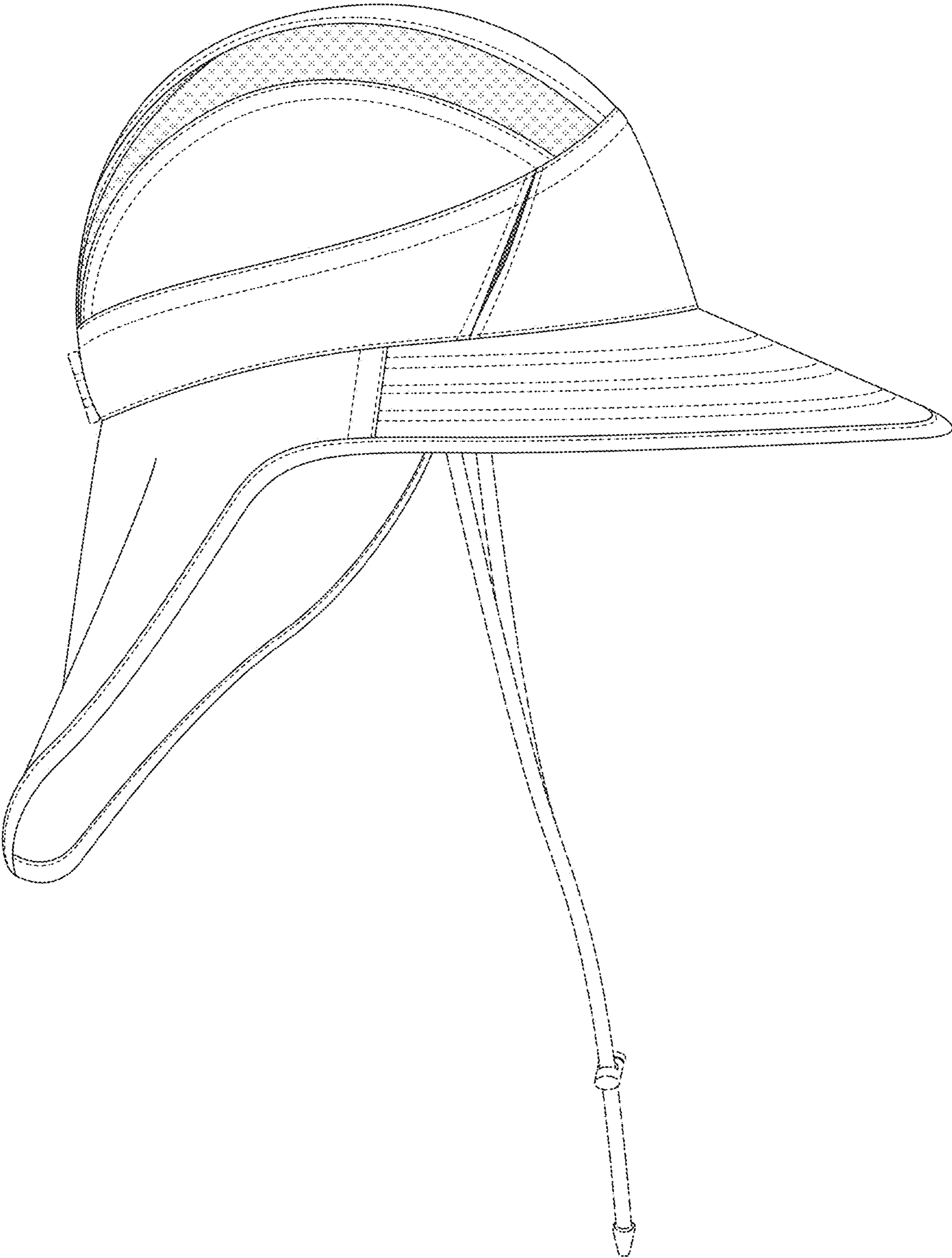


FIG. 2

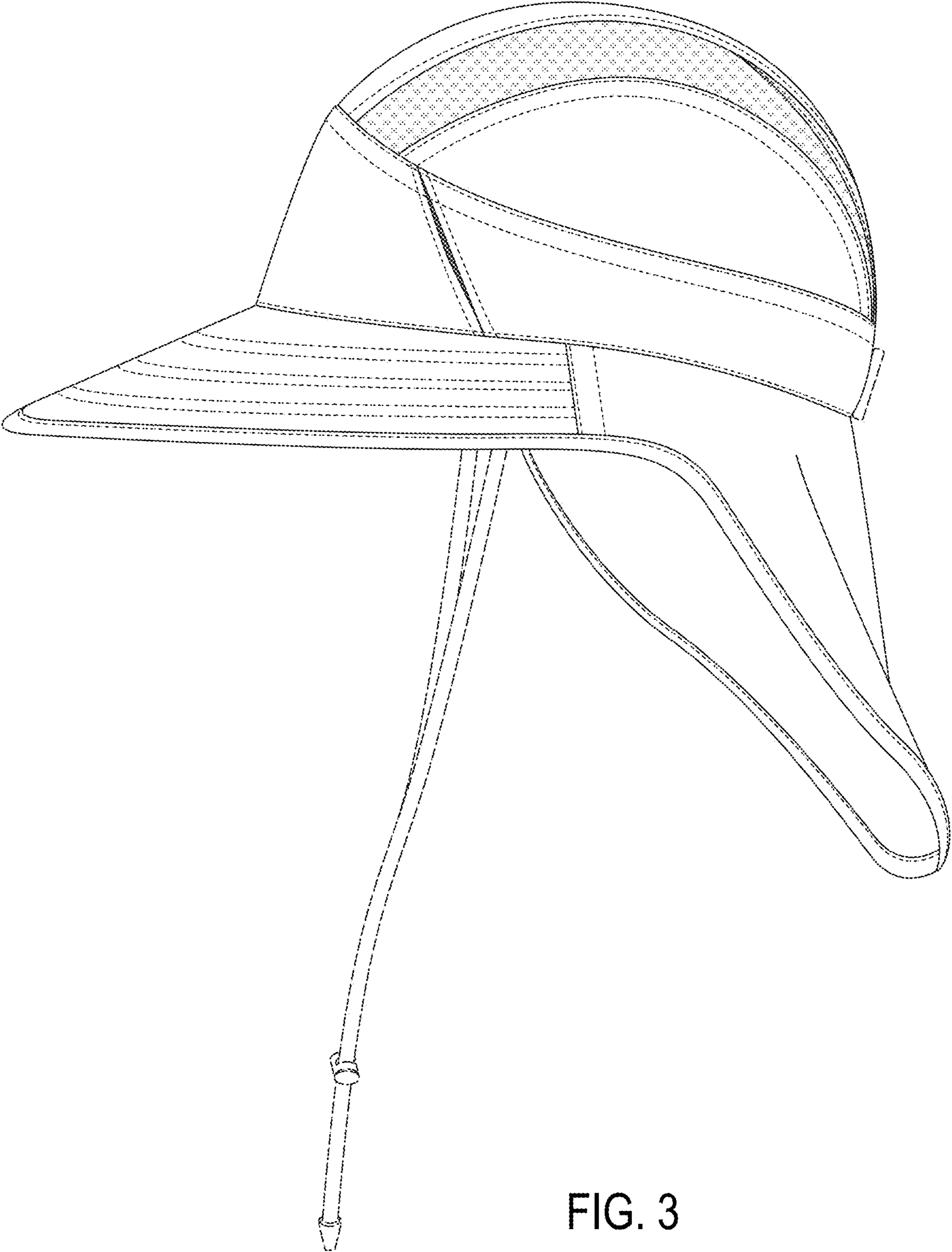


FIG. 3

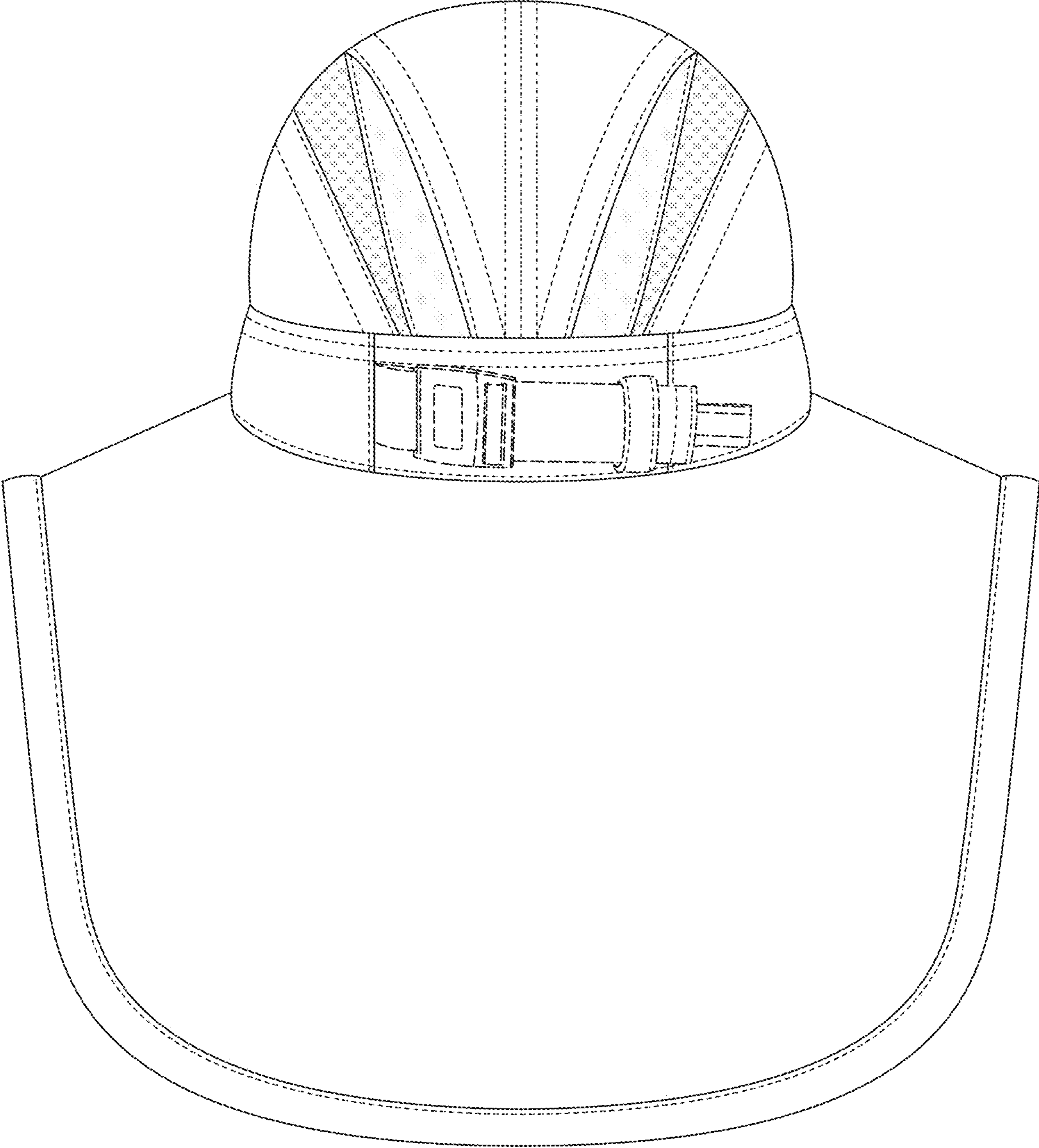


FIG. 4

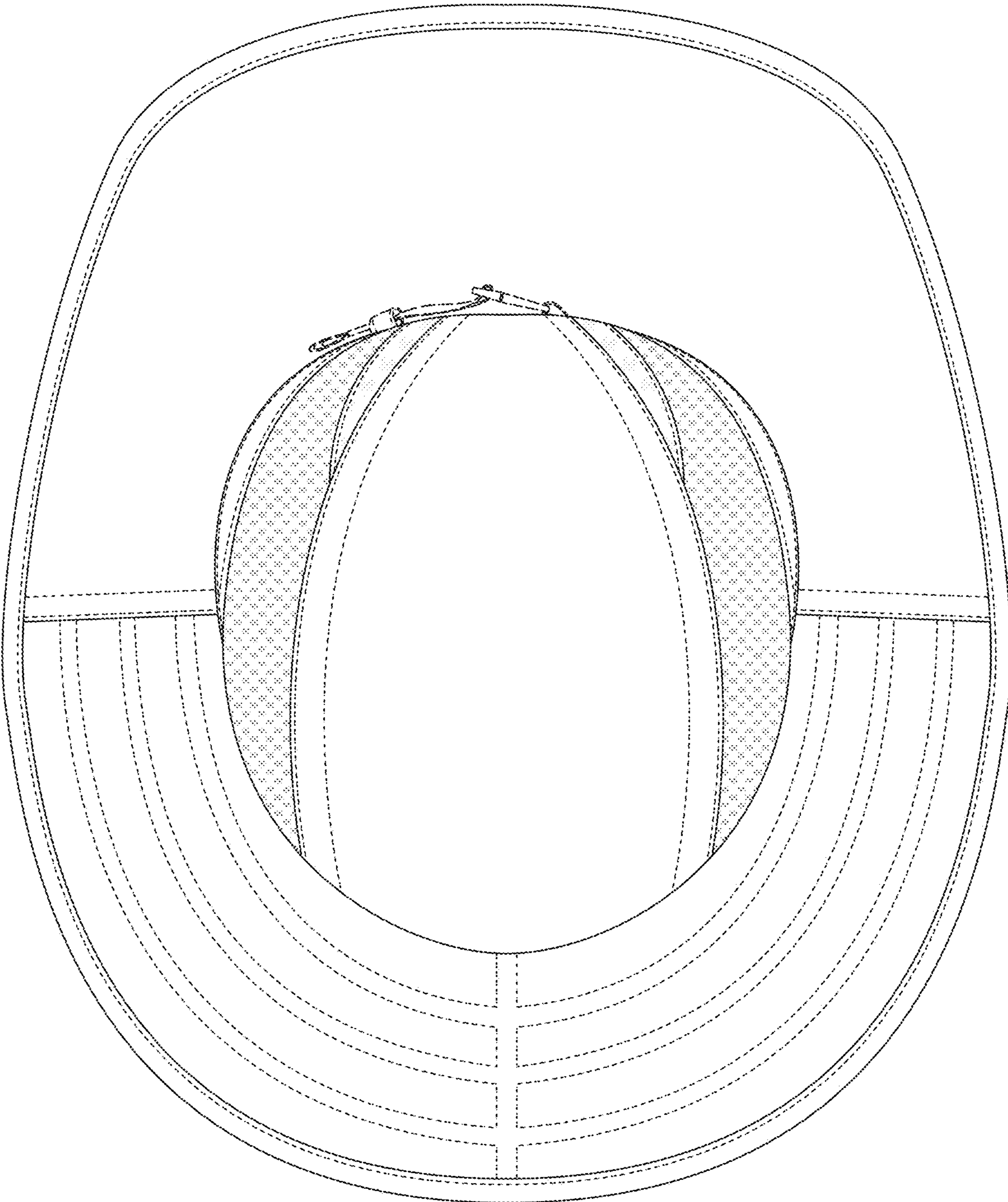


FIG. 5

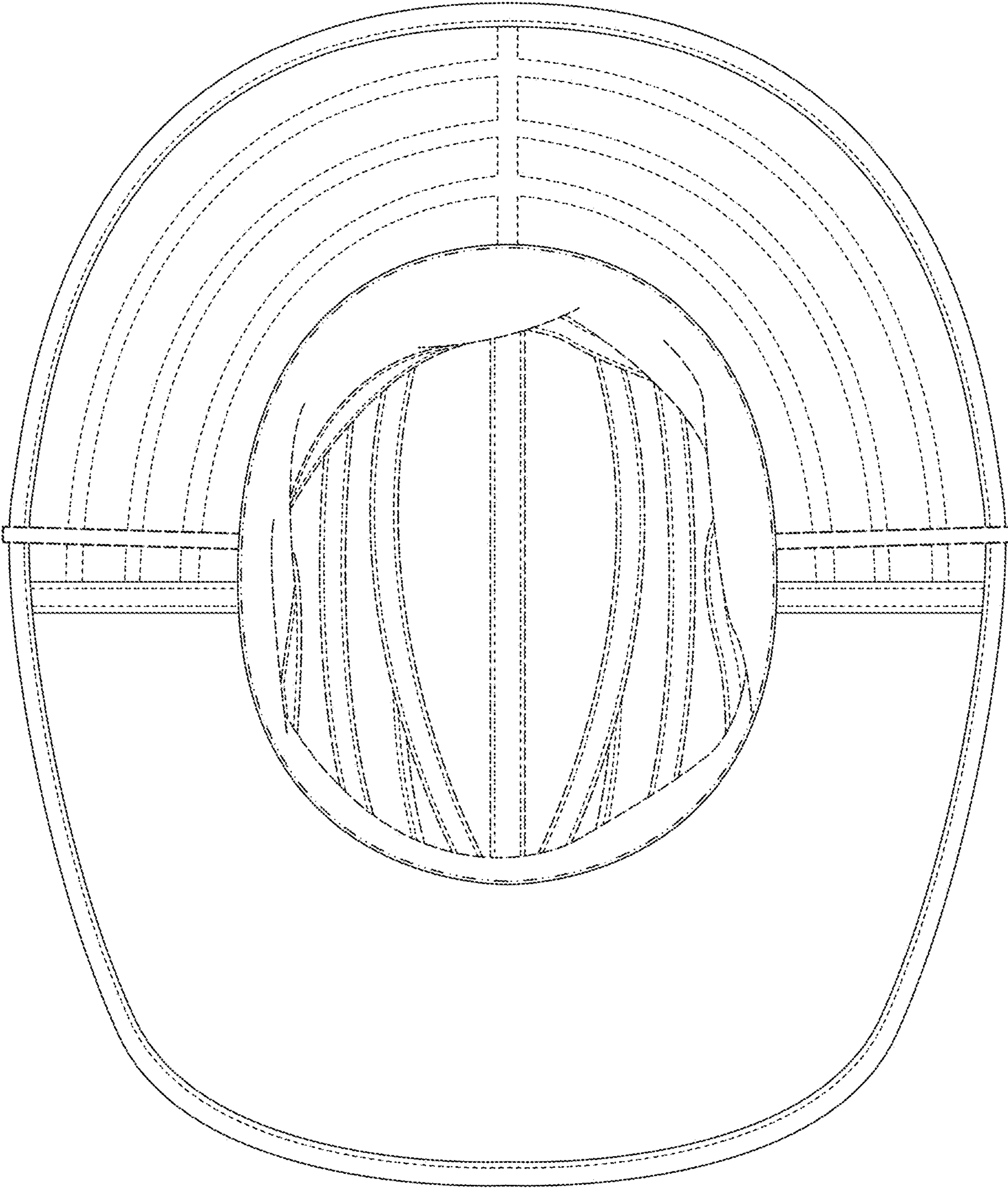


FIG. 6