



US00D912929S

(12) **United States Design Patent**
Baker et al.

(10) **Patent No.:** **US D912,929 S**
(45) **Date of Patent:** **** Mar. 16, 2021**

(54) **MEN'S UNDERWEAR WITH TRIPLE FLY CONSTRUCTION**

2017/0280783 A1* 10/2017 Nauh A41D 7/005
2019/0320728 A1* 10/2019 Hierholzer A41B 9/023
2020/0297040 A1* 9/2020 Weber-Unger A41B 9/023

(71) Applicants: **Julie Baker**, Tallahassee, FL (US);
Erik Nelson, Tallahassee, FL (US)

OTHER PUBLICATIONS

(72) Inventors: **Julie Baker**, Tallahassee, FL (US);
Erik Nelson, Tallahassee, FL (US)

Eyushijia Bamboo Fiber Modal Boxer Briefs , posted 2018 [online], (retrieved Jan. 13, 2021). Retrieved from the internet, https://www.amazon.com/EYUSHIJIA-Underwear-Bamboo-Separate-Pouches/dp/B07H2YKBSJ/ref=sr_1_33?dchild=1&keywords=triple%2Bfly%2Bbriefs&qid=1610550149&s=apparel&sr=1-33&th=1 (Year: 2018).*

(**) Term: **15 Years**

* cited by examiner

(21) Appl. No.: **29/688,185**

(22) Filed: **Apr. 18, 2019**

Primary Examiner — Kevin K Rudzinski

(51) **LOC (13) Cl.** **02-01**

Assistant Examiner — J. Thorn, Sr.

(52) **U.S. Cl.**
USPC **D2/712**

(74) *Attorney, Agent, or Firm* — Mark Terry

(58) **Field of Classification Search**
USPC D2/712–713, 731, 738, 771, 786, 791,
D2/812, 820, 836
CPC A41B 9/00; A41B 9/004; A41B 9/023
See application file for complete search history.

(57) **CLAIM**

The ornamental design for a men's underwear with triple fly construction, as shown and described.

(56) **References Cited**

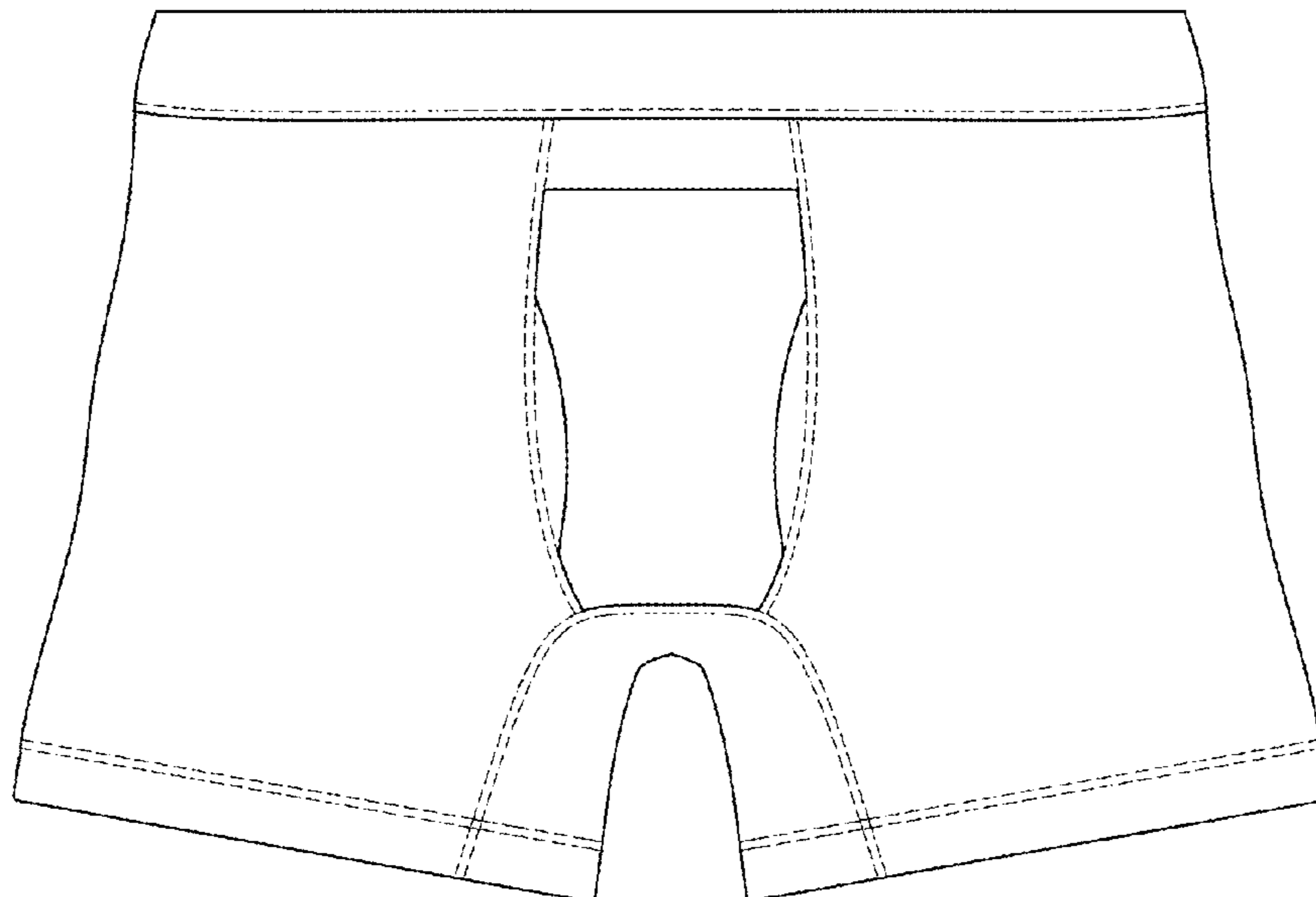
DESCRIPTION

U.S. PATENT DOCUMENTS

D423,188 S *	4/2000	Raffali	D2/700
D537,525 S *	2/2007	Buchanan	D2/712
D540,009 S *	4/2007	Ceffalio	D2/712
D711,070 S *	8/2014	Lecigne	D2/712
D741,045 S *	10/2015	Scherr	D2/731
D756,069 S *	5/2016	Astin	D2/716
D761,519 S *	7/2016	Astin	D2/712
D764,143 S *	8/2016	Gallo	D2/731
D833,108 S *	11/2018	Gao	D2/712
D846,833 S *	4/2019	Cai	D2/712
D850,059 S *	6/2019	Cai	D2/712
D864,521 S *	10/2019	Nacif Benavides	D2/712
D874,090 S *	2/2020	Benavides	D2/712
D877,453 S *	3/2020	Nacif Benavides	D2/712
2012/0167279 A1 *	7/2012	Bigney	A41B 9/02 2/401
2017/0238619 A1 *	8/2017	Shupe	A41B 9/023

FIG. 1 is a front view of a men's underwear with triple fly construction, showing the new design; FIG. 2 is a right side view thereof; FIG. 3 is a rear view thereof; FIG. 4 is a top view thereof; FIG. 5 is a bottom view thereof; FIG. 6 is a top perspective view thereof; FIG. 7 is a right perspective view thereof; FIG. 8 is a rear perspective view thereof; and, FIG. 9 is a front cross-sectional view thereof, wherein the cross-sectional view is taken along 9, shown in FIG. 4. The broken lines shown in the drawings represent portions of the men's underwear with triple fly construction that form no part of the claimed design.

1 Claim, 5 Drawing Sheets



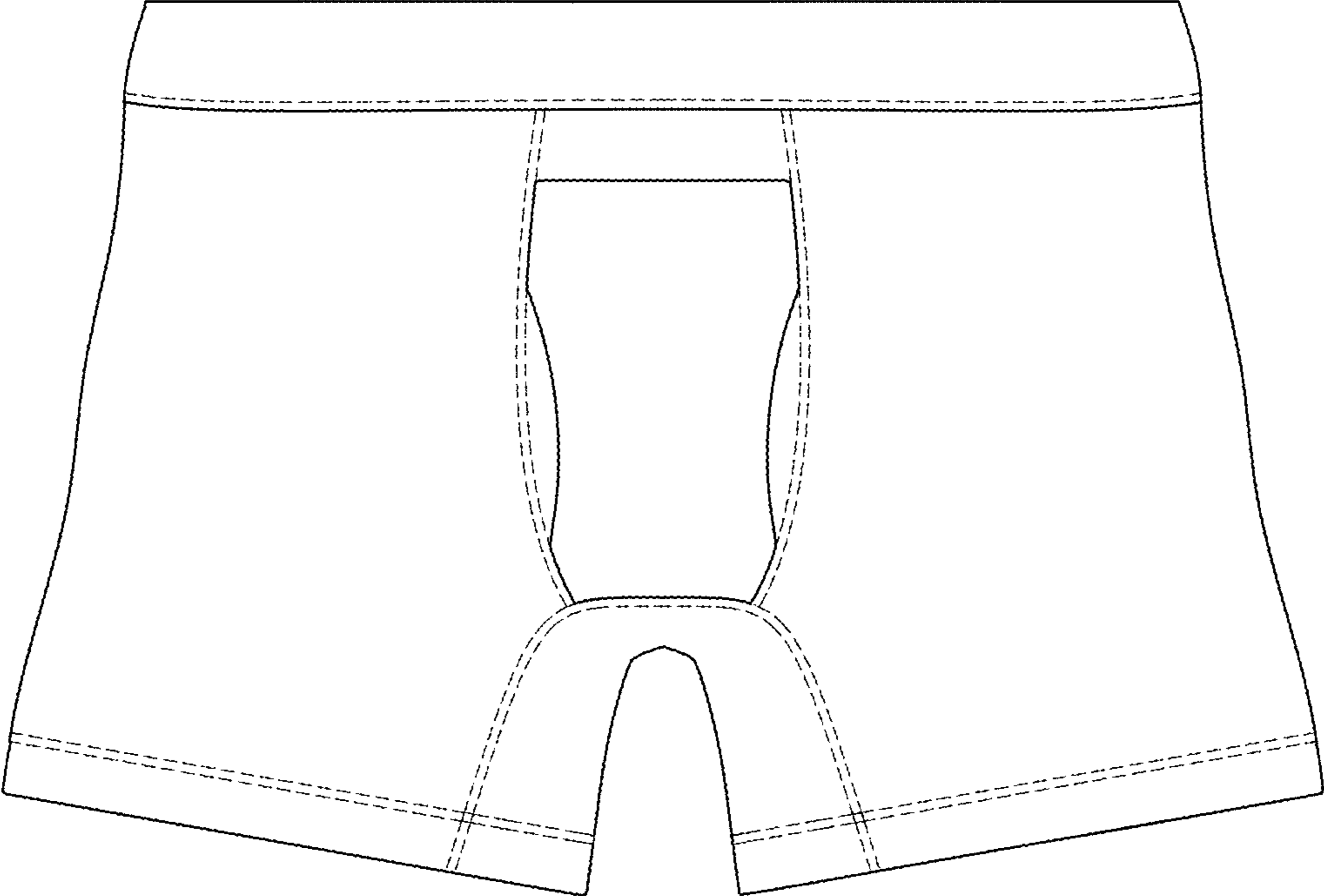


Fig. 1

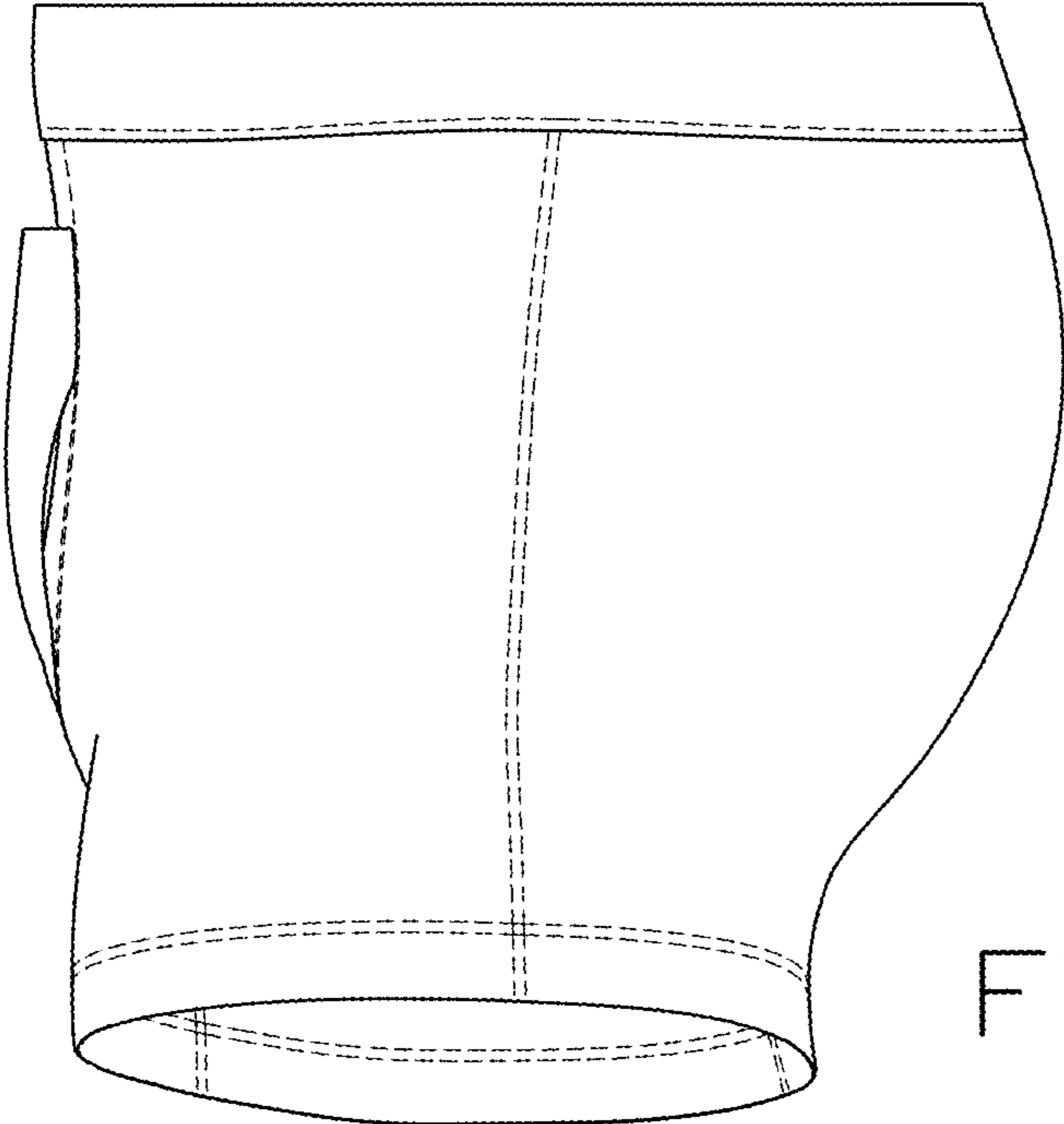


Fig. 2

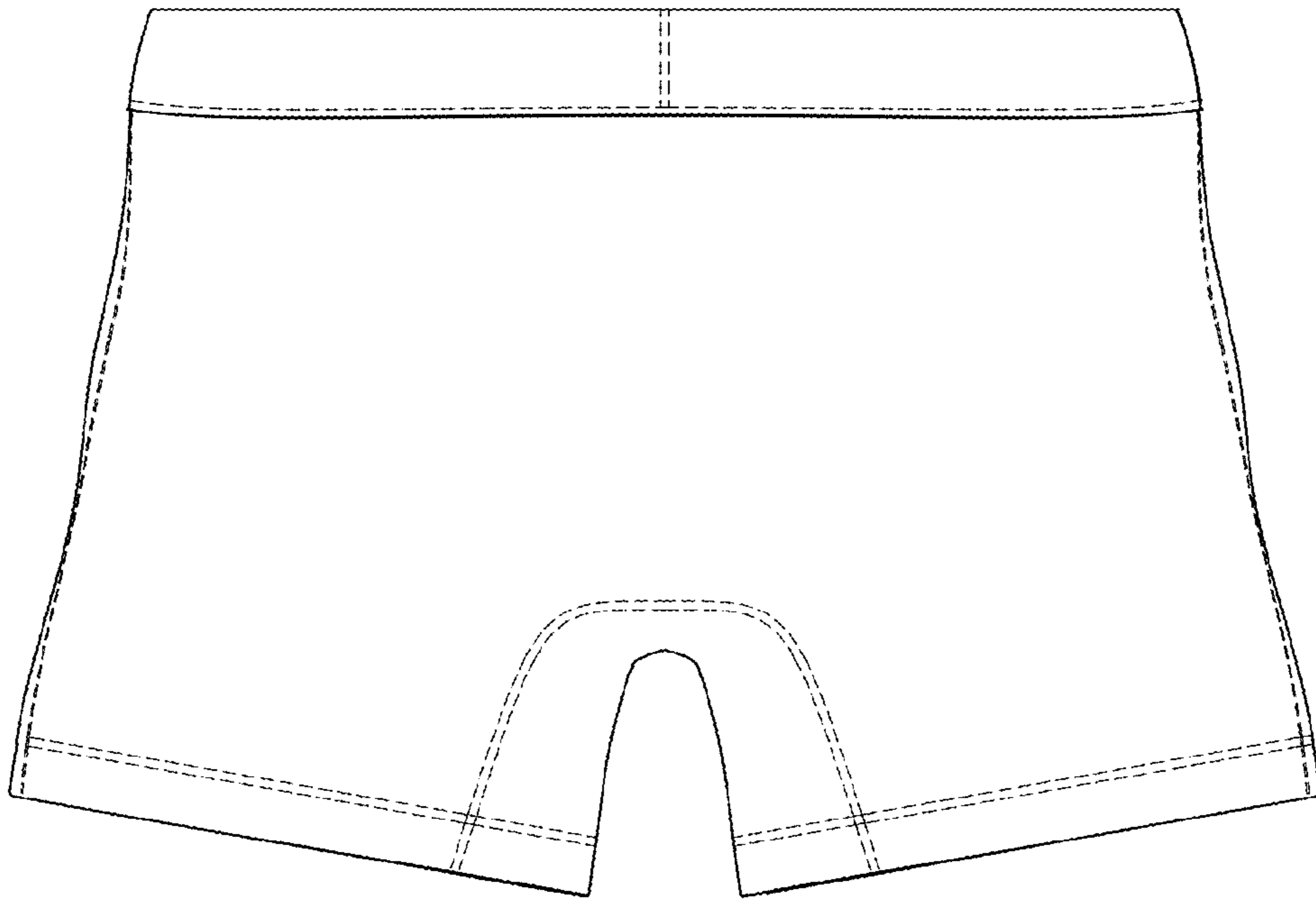


Fig. 3

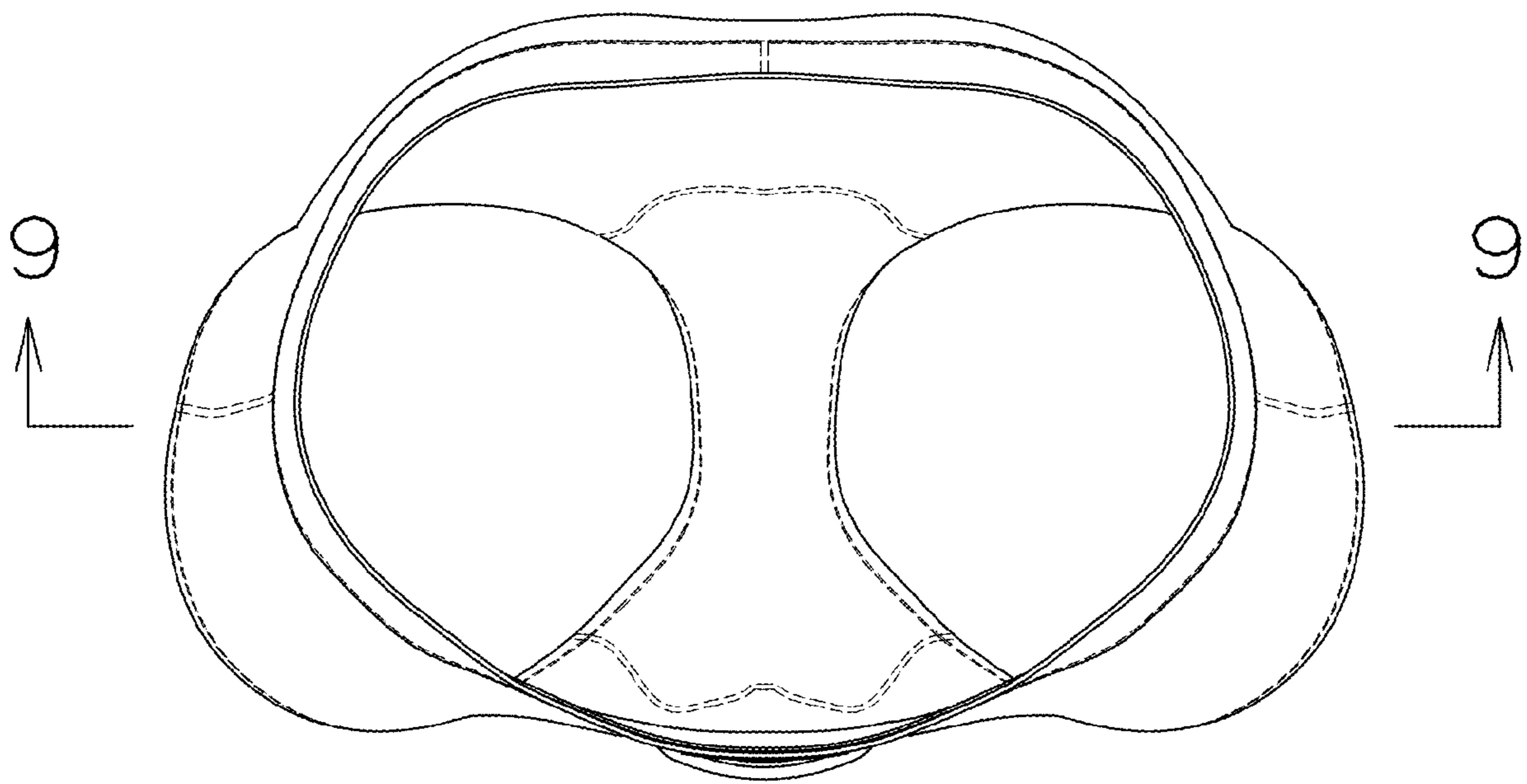


Fig. 4

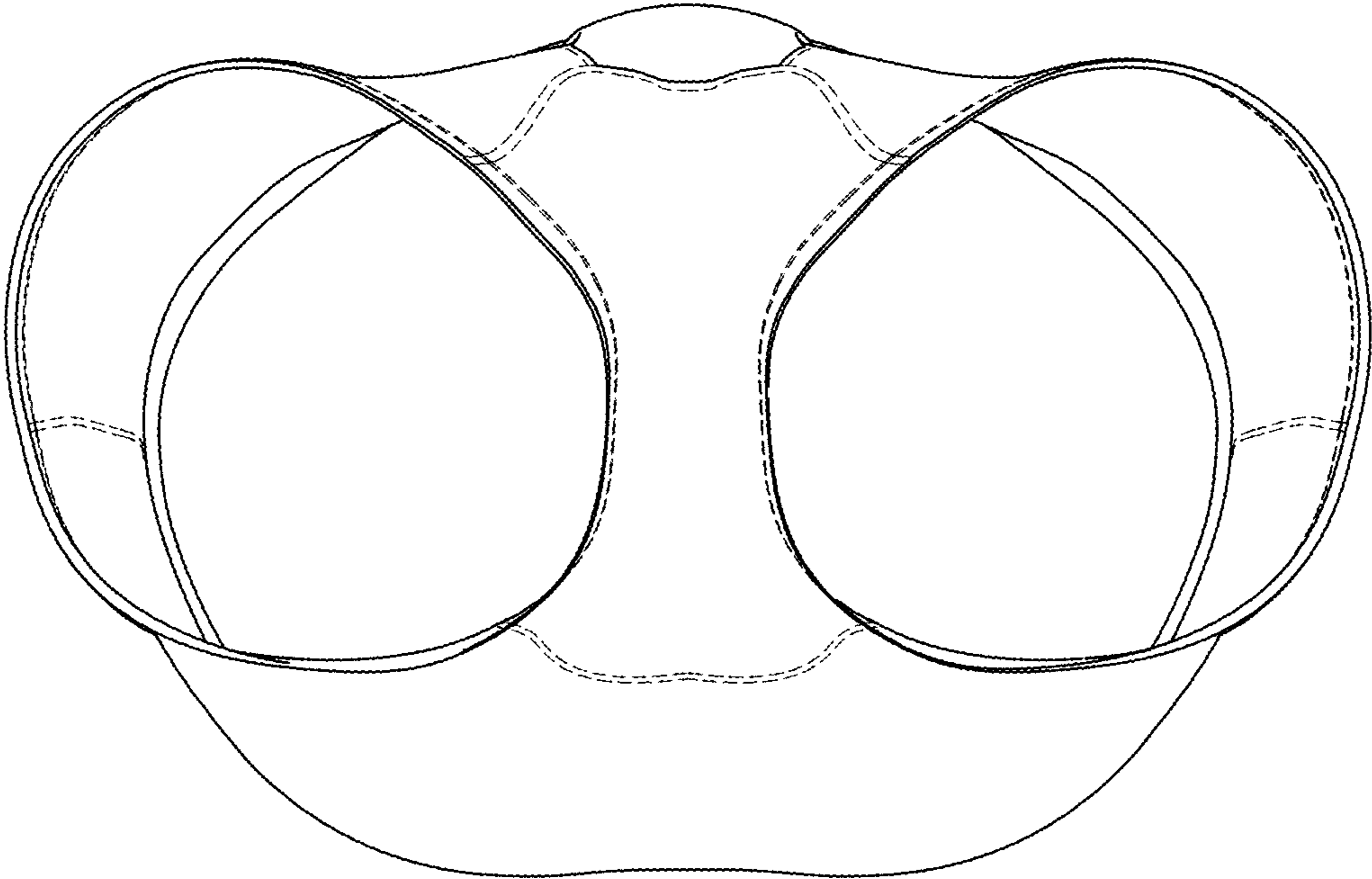


Fig. 5

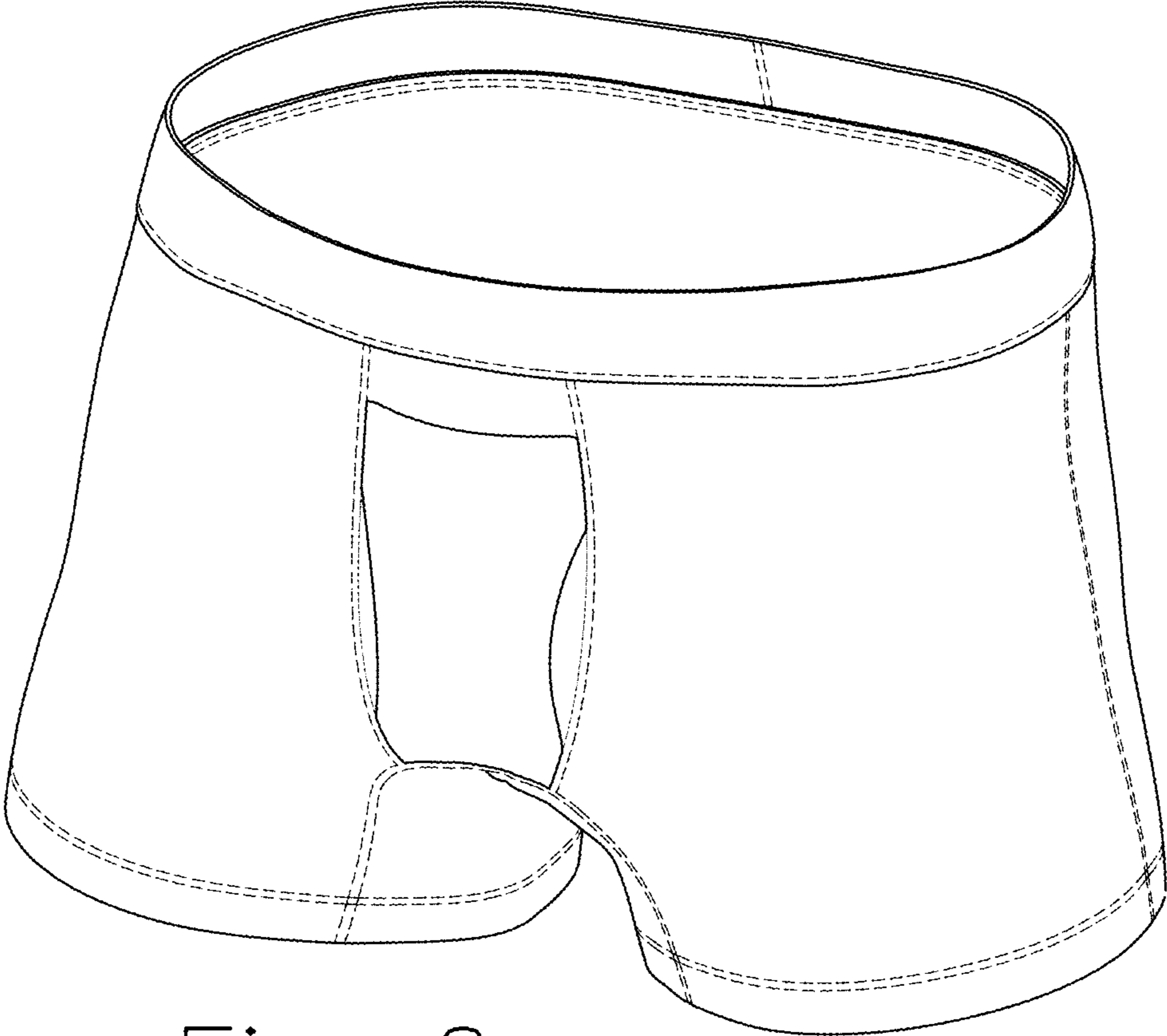


Fig. 6

Fig. 7

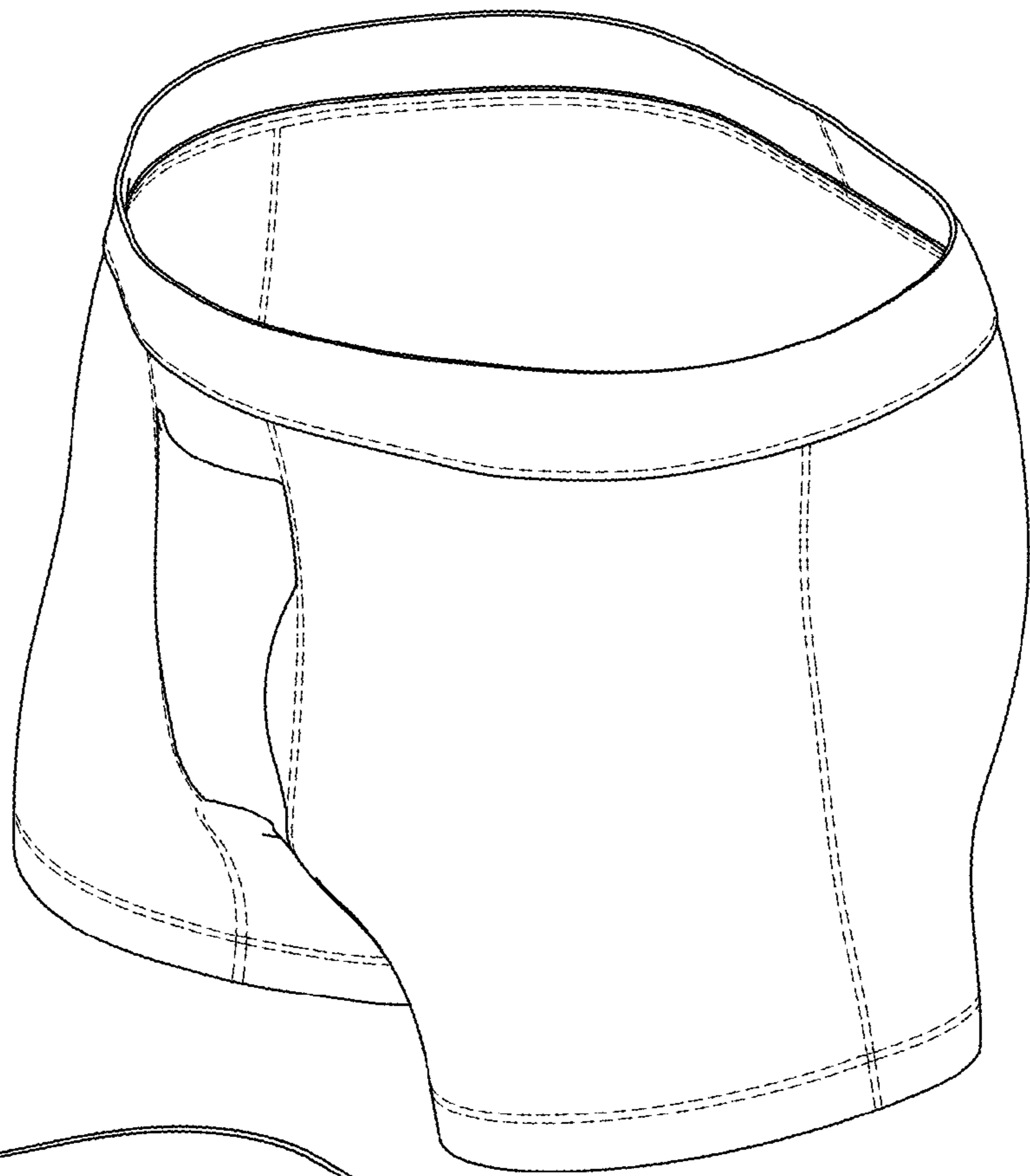
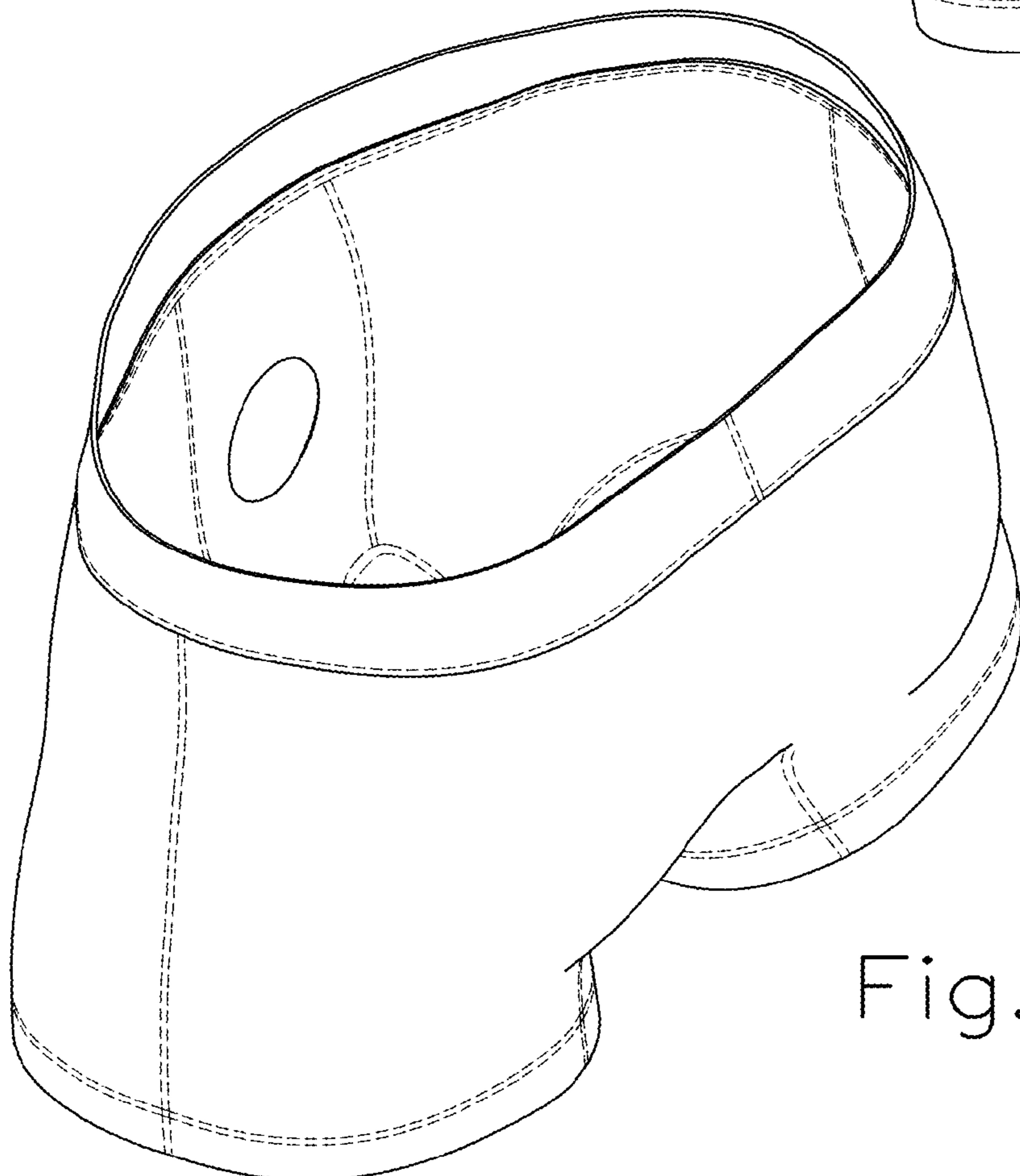


Fig. 8



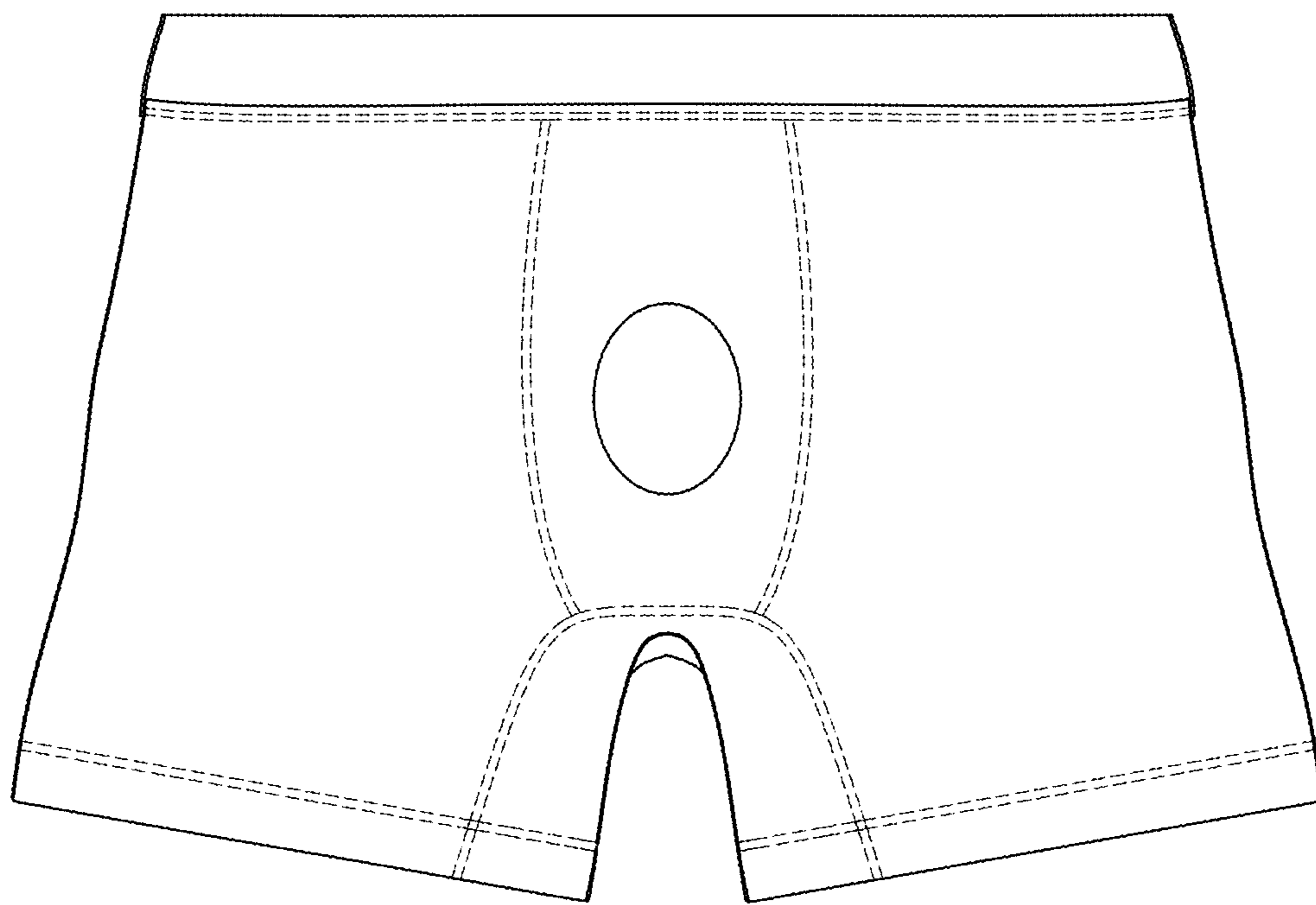


Fig. 9