



US00D912927S

(12) **United States Design Patent**  
**Hutnick, Jr.**

(10) **Patent No.:** **US D912,927 S**  
(45) **Date of Patent:** **\*\* Mar. 16, 2021**

(54) **PET TREAT**

(71) Applicant: **Michael Charles Hutnick, Jr.**,  
Bloomsburg, PA (US)

(72) Inventor: **Michael Charles Hutnick, Jr.**,  
Bloomsburg, PA (US)

(\*\*) Term: **15 Years**

(21) Appl. No.: **29/719,219**

(22) Filed: **Jan. 2, 2020**

(51) **LOC (13) Cl.** ..... **01-01**

(52) **U.S. Cl.**  
USPC ..... **D1/130**

(58) **Field of Classification Search**  
USPC ..... D1/100–130, 199; 426/5, 76, 87, 92, 94,  
426/95, 99, 101, 103, 108, 138–139, 143,  
426/144, 279, 282, 283, 391, 514, 549,  
426/660; D13/100; D24/101–104;  
D28/8.1; 424/467; 425/195; 34/296;  
D6/601; D9/453; D21/460–462;  
446/213, 236, 242, 256, 259  
CPC .. A61K 9/2072; A61K 9/0004; A61K 9/2095;  
A61K 9/209

See application file for complete search history.

(56) **References Cited**

U.S. PATENT DOCUMENTS

D58,079 S \* 6/1921 Glenn ..... D21/460  
1,395,261 A \* 11/1921 Cullinan ..... A63F 9/16  
273/147  
D89,705 S \* 4/1933 Johnson ..... D21/460  
3,110,125 A \* 11/1963 Gibson, Jr. .... A63H 1/00  
446/216

3,785,081 A \* 1/1974 Burkhart ..... A63H 1/20  
446/213  
5,543,001 A \* 8/1996 Casillo ..... B65C 1/02  
156/60  
5,791,966 A \* 8/1998 Capps ..... G09F 19/02  
446/242  
5,895,307 A \* 4/1999 Jamison ..... A63H 1/00  
446/256  
6,608,540 B1 \* 8/2003 Hones ..... H02N 15/00  
310/90.5  
D727,614 S \* 4/2015 Griffith ..... D3/10  
2004/0077271 A1 \* 4/2004 Schaer ..... A63H 1/00  
446/236  
2005/0070203 A1 \* 3/2005 Beckett ..... A63H 1/06  
446/259  
2015/0136040 A1 \* 5/2015 Hutton ..... A01K 15/025  
119/709

\* cited by examiner

*Primary Examiner* — Katie Jane Stofko  
(74) *Attorney, Agent, or Firm* — Kaliko & Associates,  
LLC; Scott H. Kaliko, Esq

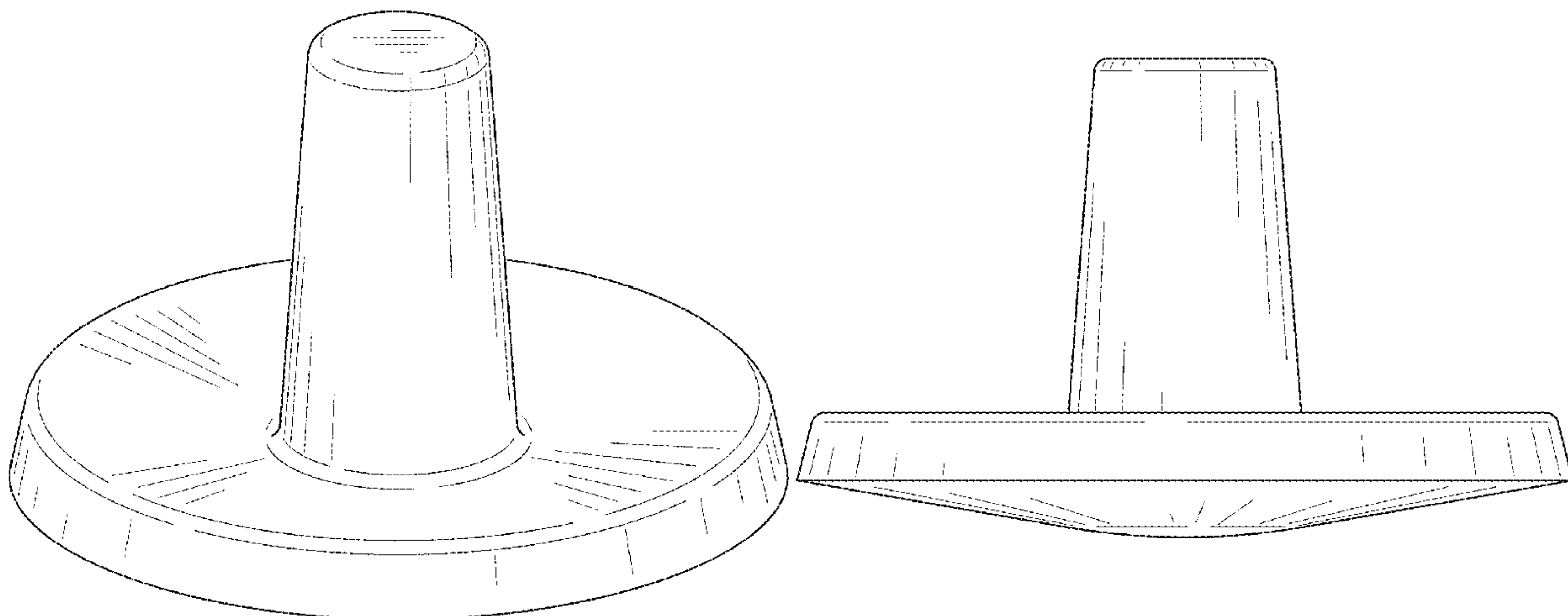
(57) **CLAIM**

The ornamental design for a pet treat, as shown and described.

**DESCRIPTION**

FIG. 1 is a perspective view of a pet treat;  
FIG. 2 is a right side elevation view thereof;  
FIG. 3 is a left side elevation view thereof;  
FIG. 4 is a front elevation view thereof;  
FIG. 5 is a back elevation view thereof;  
FIG. 6 is a top plan view thereof; and,  
FIG. 7 is a bottom plan view thereof.

**1 Claim, 5 Drawing Sheets**



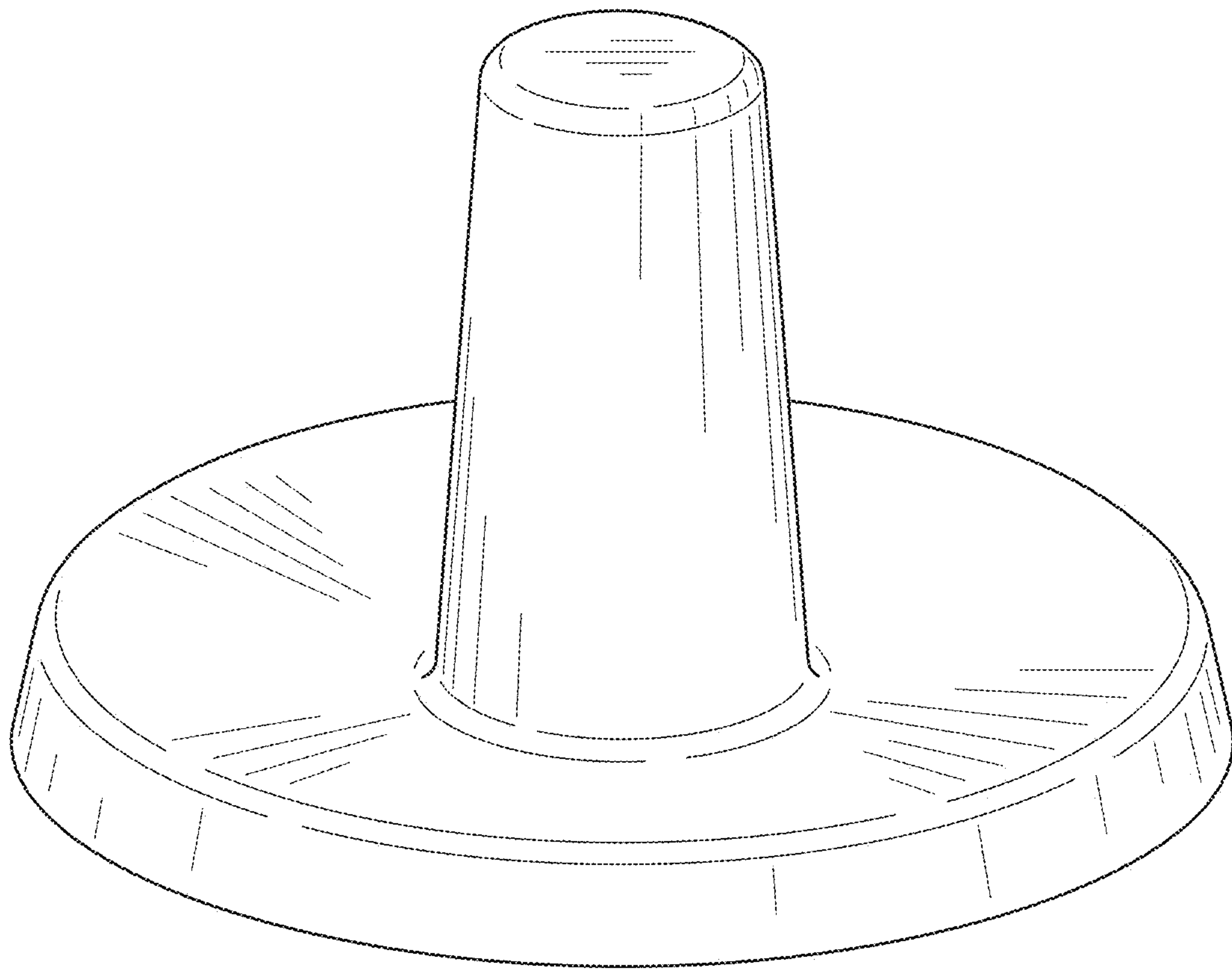


FIG. 1

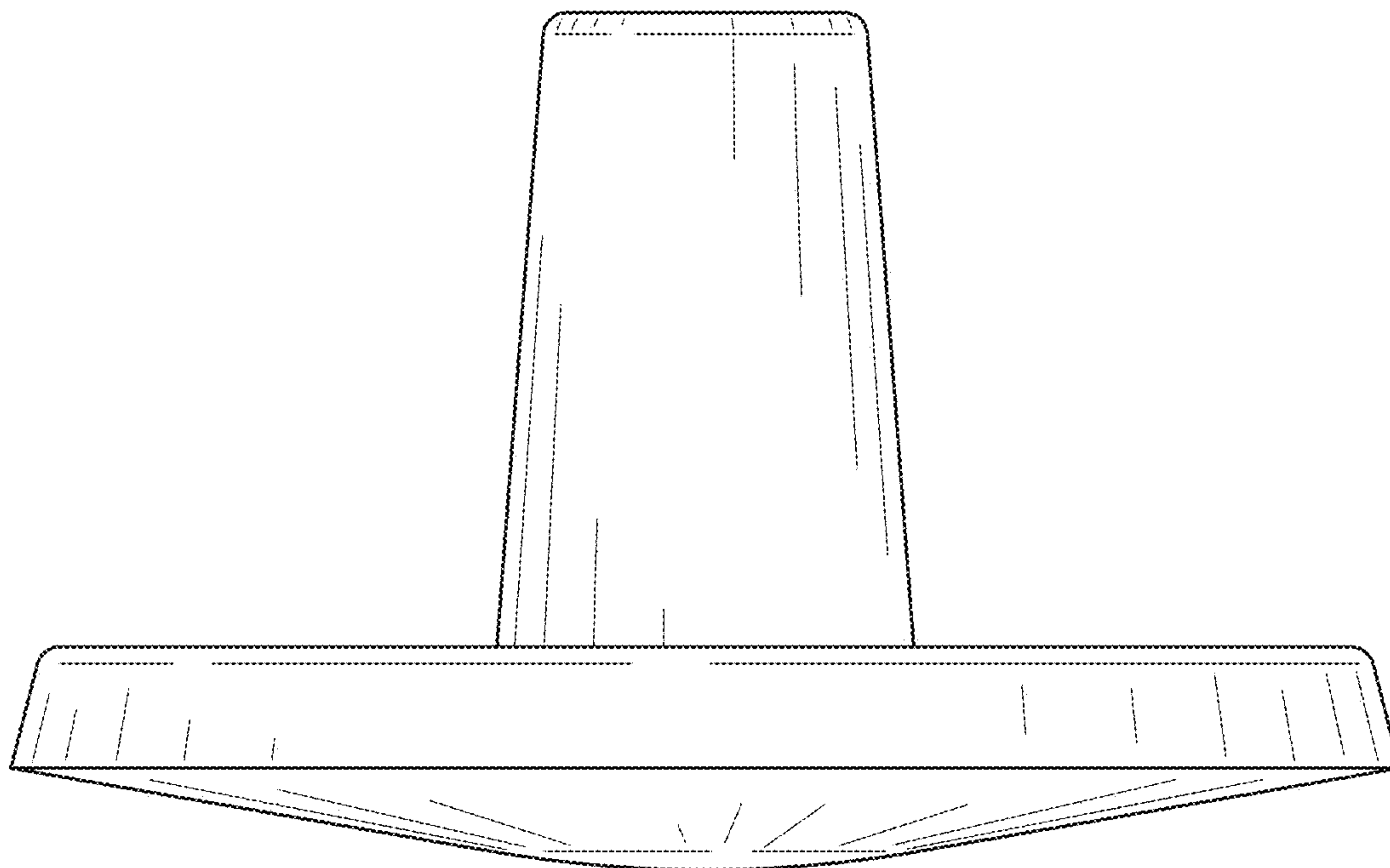


FIG. 2

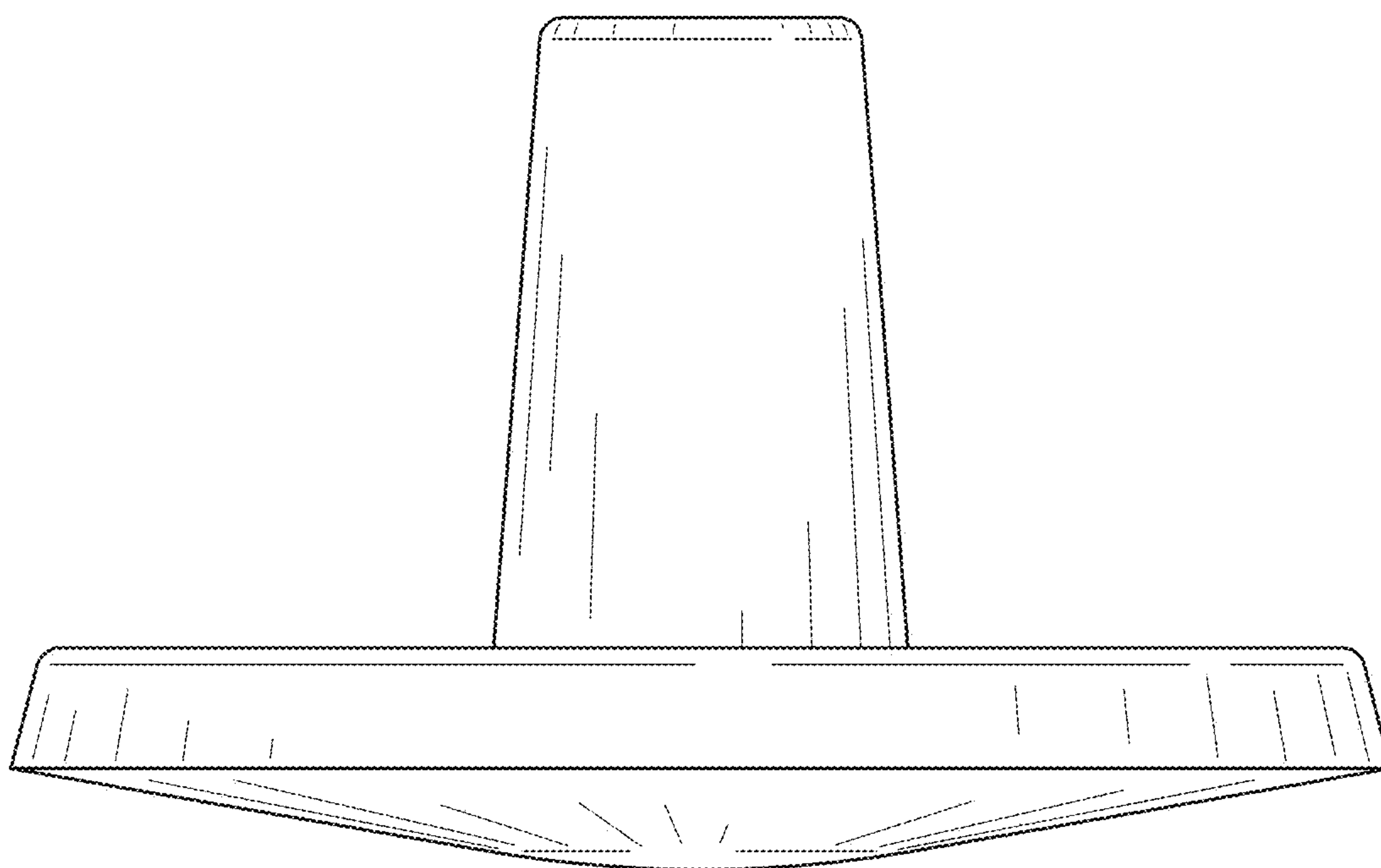


FIG. 3

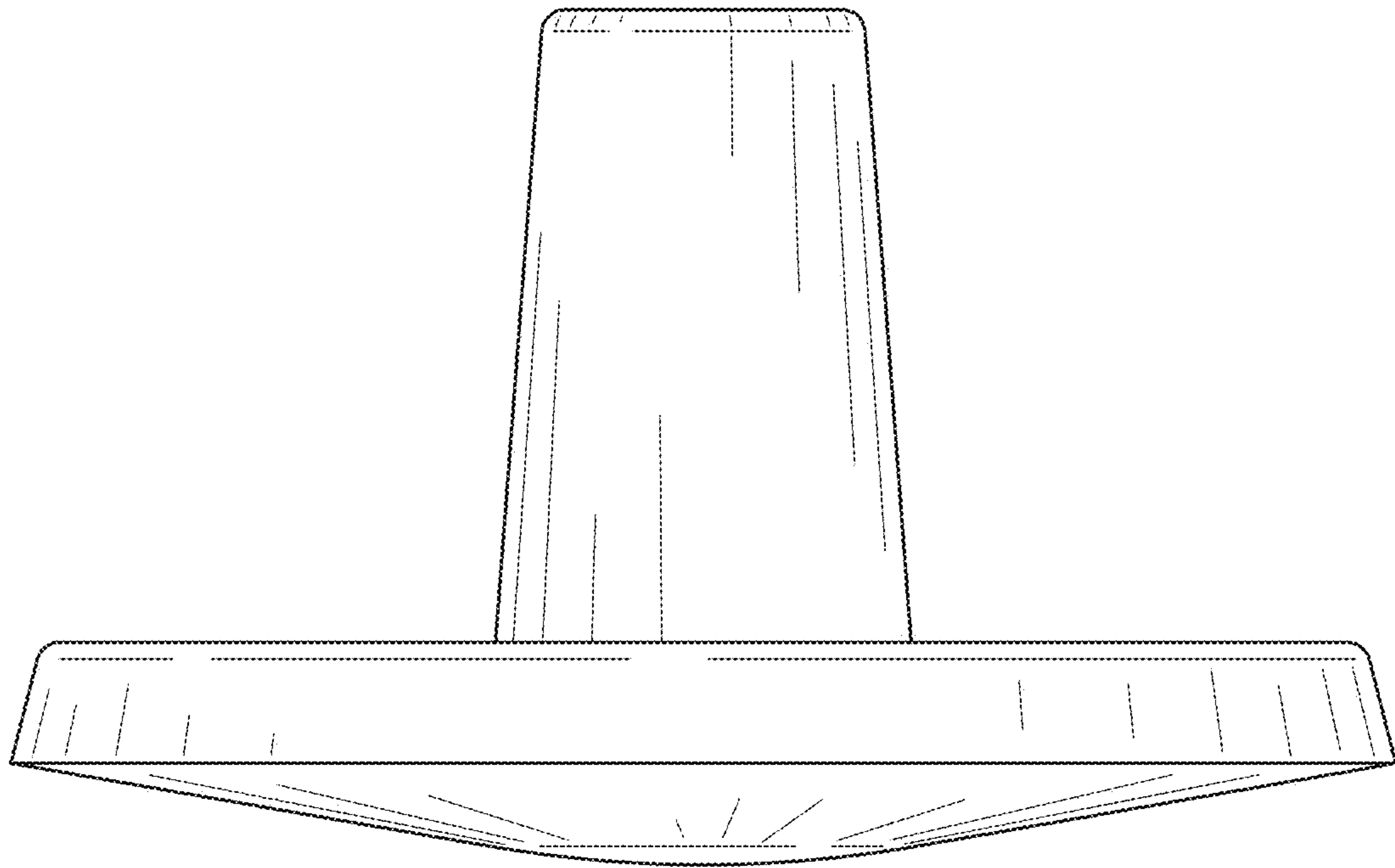


FIG. 4

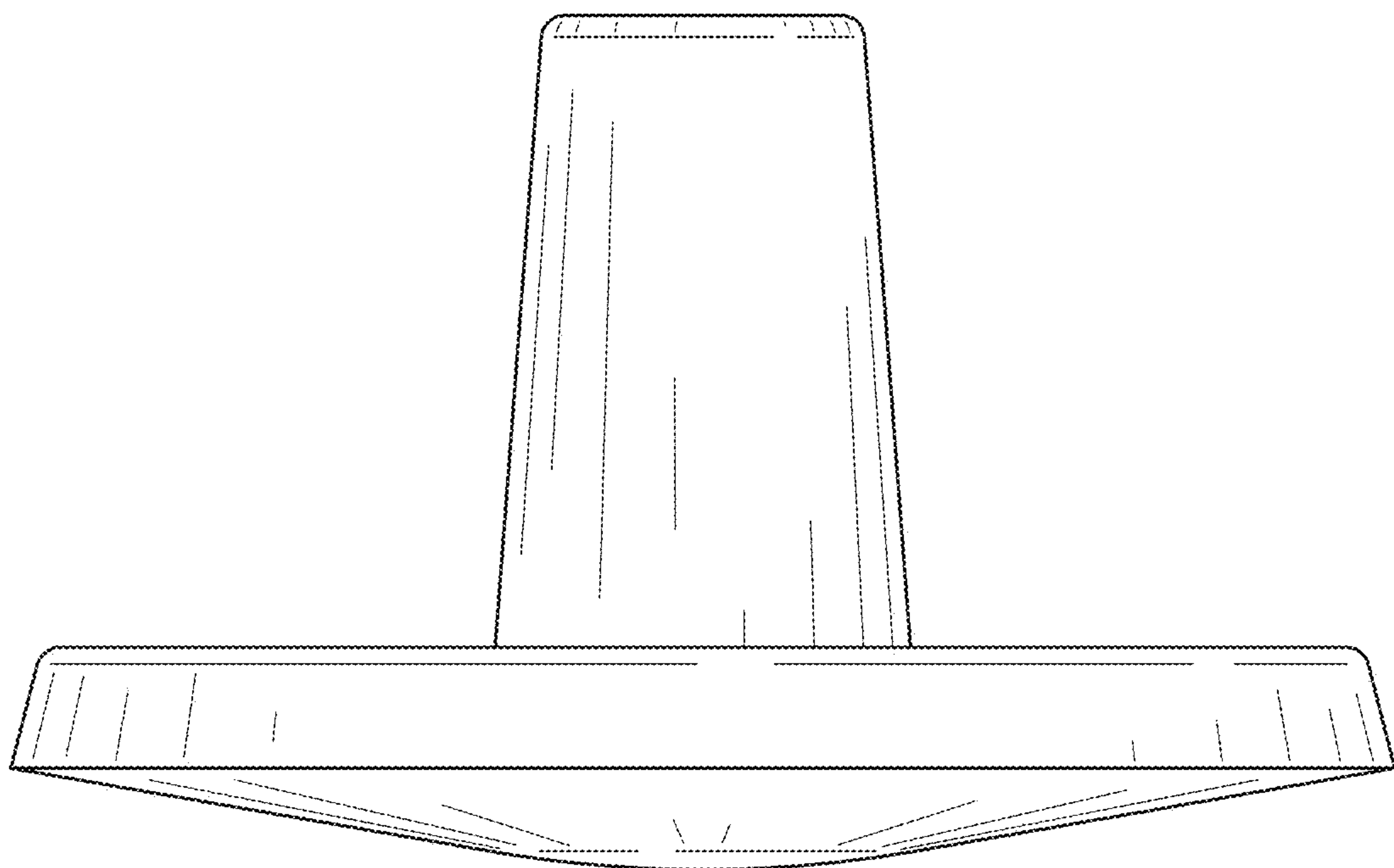


FIG. 5

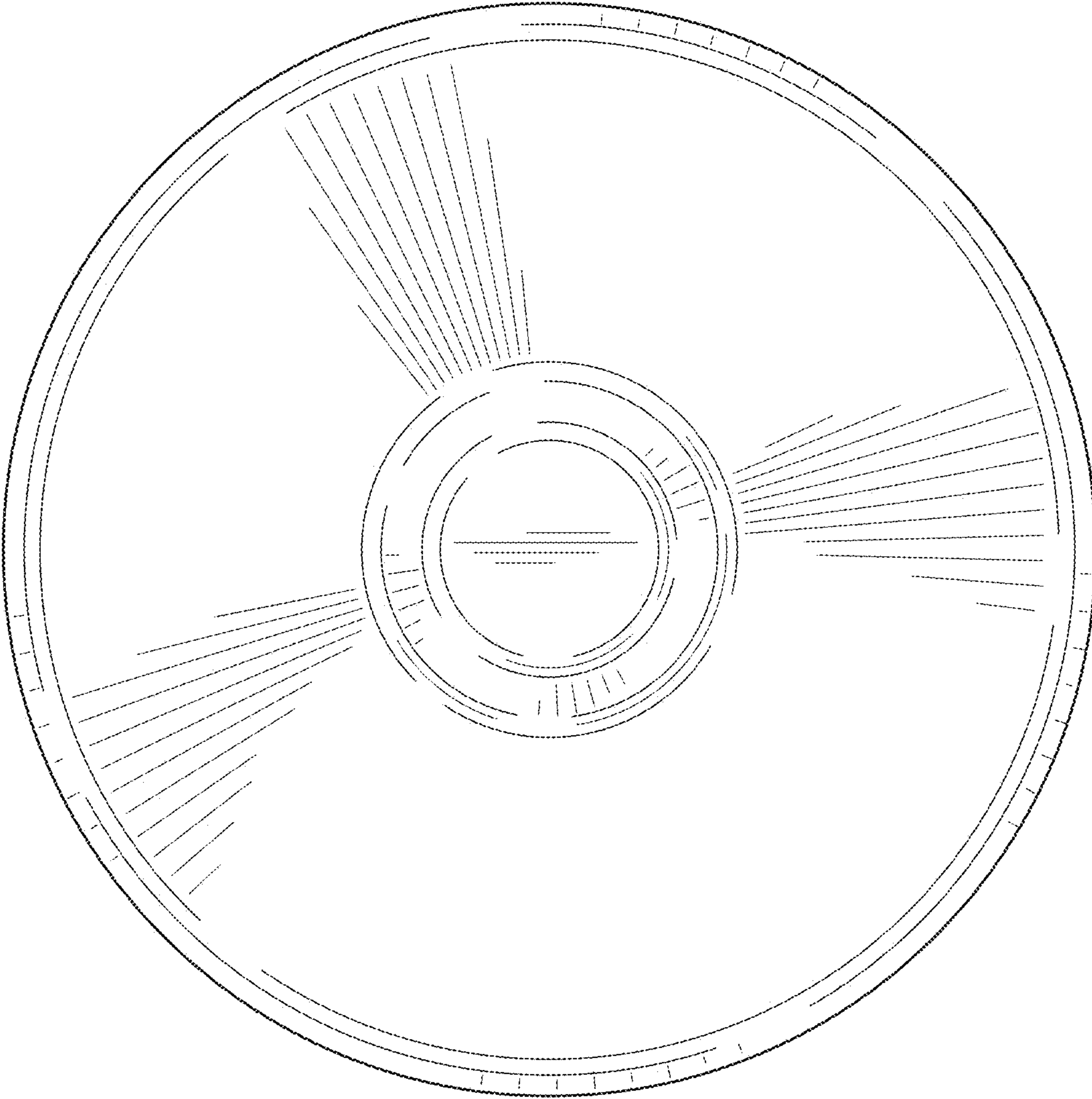


FIG. 6



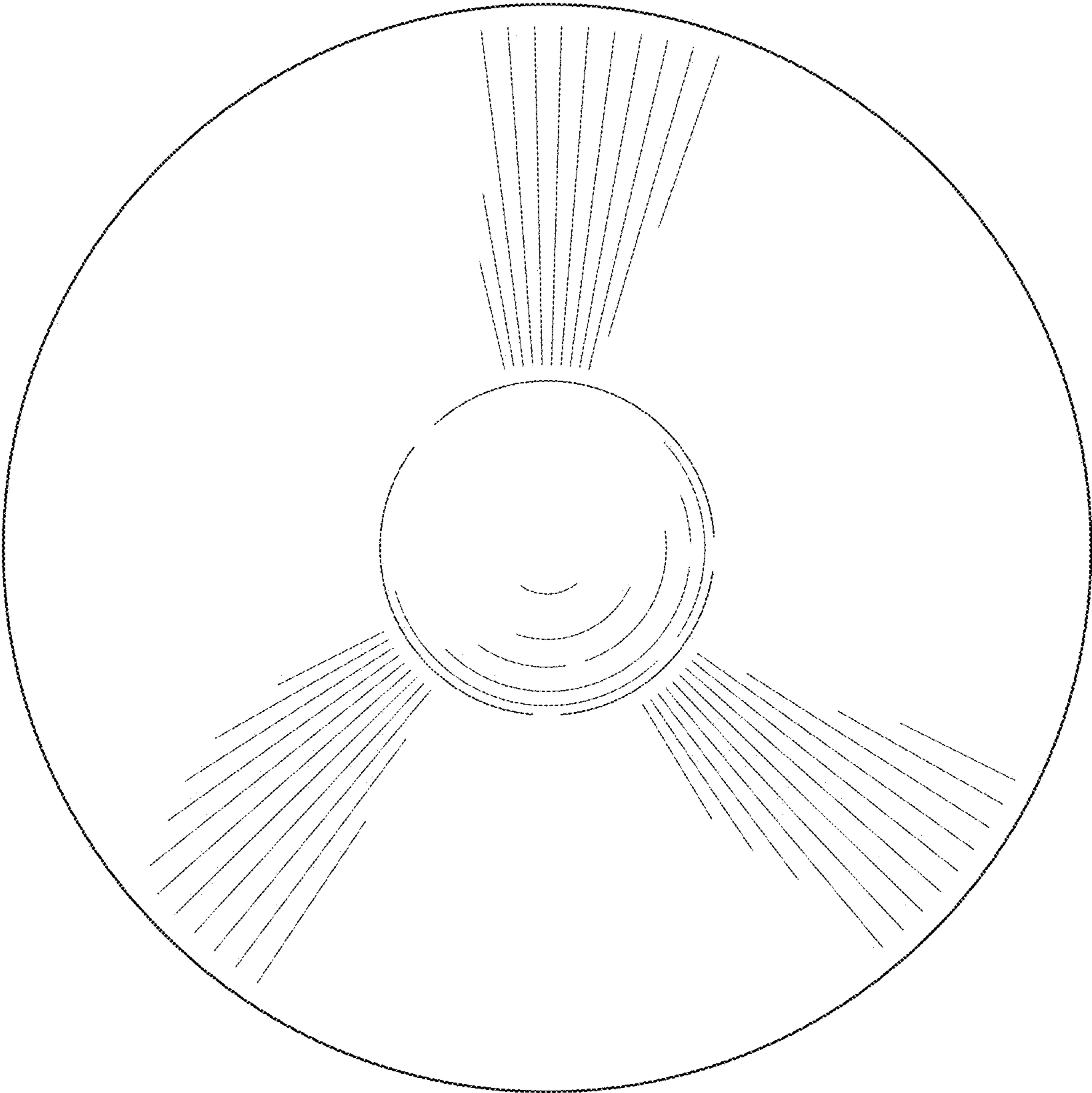


FIG. 7