



US00D912924S

(12) **United States Design Patent**
Hirvesaar

(10) **Patent No.:** **US D912,924 S**
(45) **Date of Patent:** **** Mar. 9, 2021**

(54) **PERSONAL PARCEL LOCKER**
(71) Applicant: **Cleveron AS**, Vljandi (EE)
(72) Inventor: **Lauri Hirvesaar**, Tallinn (EE)
(73) Assignee: **Cleveron AS**, Viljandi (EE)
(**) Term: **15 Years**

1,642,533 A * 9/1927 Beer A47G 29/1201
232/25
1,709,363 A * 4/1929 Murphy A47G 29/1201
232/24
2,563,094 A * 8/1951 Becker A47B 87/02
232/24
2,658,667 A * 11/1953 Mirkin A47G 29/1201
232/23

(Continued)

(21) Appl. No.: **29/706,108**

(22) Filed: **Sep. 18, 2019**

(30) **Foreign Application Priority Data**

May 9, 2019 (EM) 006428561-0001

(51) **LOC (13) Cl.** **99-00**

(52) **U.S. Cl.**
USPC **D99/29**

(58) **Field of Classification Search**

USPC D99/28, 29, 30, 31, 32, 33, 99; 312/35;
232/1 R, 1 A, 1 C, 1 D, 1 E, 2, 4 R, 17,
232/19, 20, 21, 22, 24, 27, 30, 31, 37, 38,
232/39, 44, 45; D3/201, 272, 273, 274;
D14/900, 901, 902; D20/1, 4, 5, 6
CPC A47G 29/12; A47G 29/1201; A47G
29/1203; A47G 29/1207; A47G 29/1209;
A47G 29/1216; A47G 29/1218; A47G
29/14; A47G 29/141; A47G 29/142;
A47G 29/148; A47G 29/16; A47B 88/00
See application file for complete search history.

(56) **References Cited**

U.S. PATENT DOCUMENTS

1,222,964 A * 4/1917 Matchette G07F 9/06
232/1 R
1,362,949 A * 12/1920 Bibb A47G 29/1201
232/25
1,574,354 A * 2/1926 Barth A47G 29/1201
232/25

OTHER PUBLICATIONS

Salsbury Aluminum Parcel Locker (Includes Master Commercial Locks)—2 Doors—Private Access, <https://www.mailboxes.com/aluminum-parcel-locker-2-doors-private/?msclkid=75595e51ff001f85e3cc3e5d822d5328>, 2020 (Year: 2020).*

(Continued)

Primary Examiner — Elizabeth J Oswecki

(74) *Attorney, Agent, or Firm* — Berggren LLP

(57) **CLAIM**

The ornamental design for a personal parcel locker, as shown and described.

DESCRIPTION

FIG. 1 is a perspective view of a personal parcel locker, showing my new design;

FIG. 2 is another perspective view thereof;

FIG. 3 is a front view thereof;

FIG. 4 is a back view thereof;

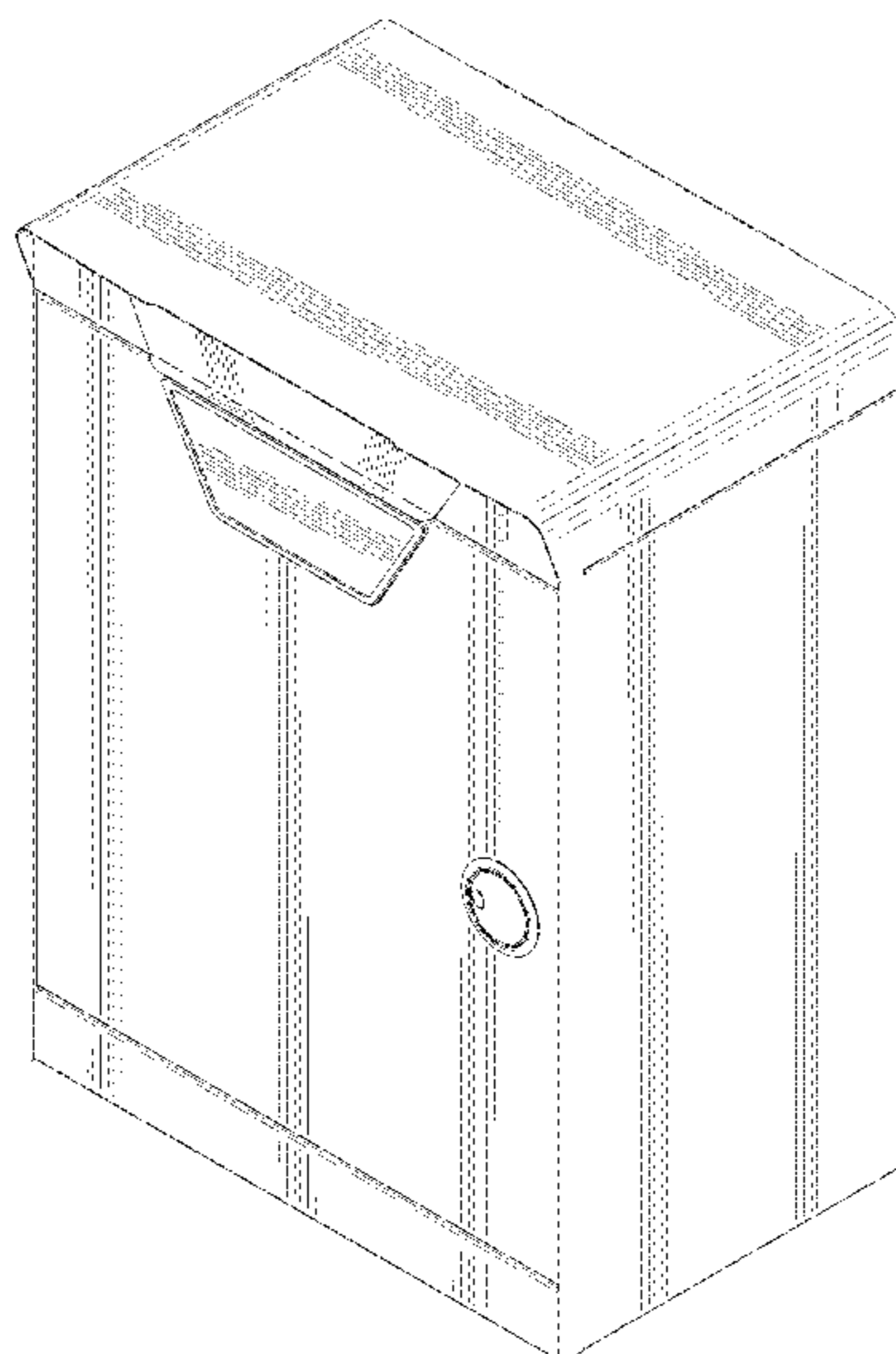
FIG. 5 is a side view thereof, the opposite side being a mirror image thereof;

FIG. 6 is a top plan view thereof; and,

FIG. 7 is a bottom plan view thereof.

The interior surface area of the broken line rectangles shown on the bottom of the personal parcel locker in FIGS. 2 and 7 form no part of the claimed design. The broken line portions of the figure drawings are included to show portions of the article that form no part of the claimed design.

1 Claim, 7 Drawing Sheets



(56)

References Cited

U.S. PATENT DOCUMENTS

3,784,089 A * 1/1974 Koch A47G 29/1201
232/24
3,790,244 A * 2/1974 Stackhouse A47G 29/20
312/215
D248,138 S * 6/1978 Stackhouse D6/671
D279,724 S * 7/1985 Stacy D6/671
D293,863 S * 1/1988 Chester D6/671
4,836,352 A * 6/1989 Tateno G07F 17/12
177/25.15
5,172,970 A * 12/1992 Momose E05B 47/0002
292/201
D446,378 S * 8/2001 Fischer D99/29
D512,804 S * 12/2005 Wilson D99/29
D569,074 S * 5/2008 Irwin D99/29
D575,474 S * 8/2008 Williams D99/29
D593,275 S * 5/2009 Williams D99/29
D702,915 S * 4/2014 Steele D99/29
D714,514 S * 9/2014 Pettit D99/29
D726,990 S * 4/2015 Aziz D99/29
D740,515 S * 10/2015 Aziz D99/29
D762,940 S * 8/2016 Chap D99/29

D789,022 S * 6/2017 Spears D99/29
D795,524 S * 8/2017 Tartal D99/29
D799,783 S * 10/2017 Spears D99/29
D799,784 S * 10/2017 Spears D99/29
D800,413 S * 10/2017 Spears D99/29
D800,414 S * 10/2017 Spears D99/29
D802,249 S * 11/2017 Spears D99/29
D809,739 S * 2/2018 Spears D99/28
D810,389 S * 2/2018 Spears D99/28
D811,038 S * 2/2018 Spears D99/28
D811,039 S * 2/2018 Spears D99/28
D811,688 S * 2/2018 Spears D99/28
D851,854 S * 6/2019 Bolonik D99/29
D854,279 S * 7/2019 Wirtz D99/29
D864,515 S * 10/2019 Hirvesaar D99/29
D888,364 S * 6/2020 Dratch D99/29
D897,625 S * 9/2020 Hall D99/29

OTHER PUBLICATIONS

Lithuania Post testing new “personal parcel locker” service, <https://postandparcel.info/70118/news/lithuania-post-testing-new-personal-parcel-locker-service/>, Dec. 18, 2015 (Year: 2015).*

* cited by examiner

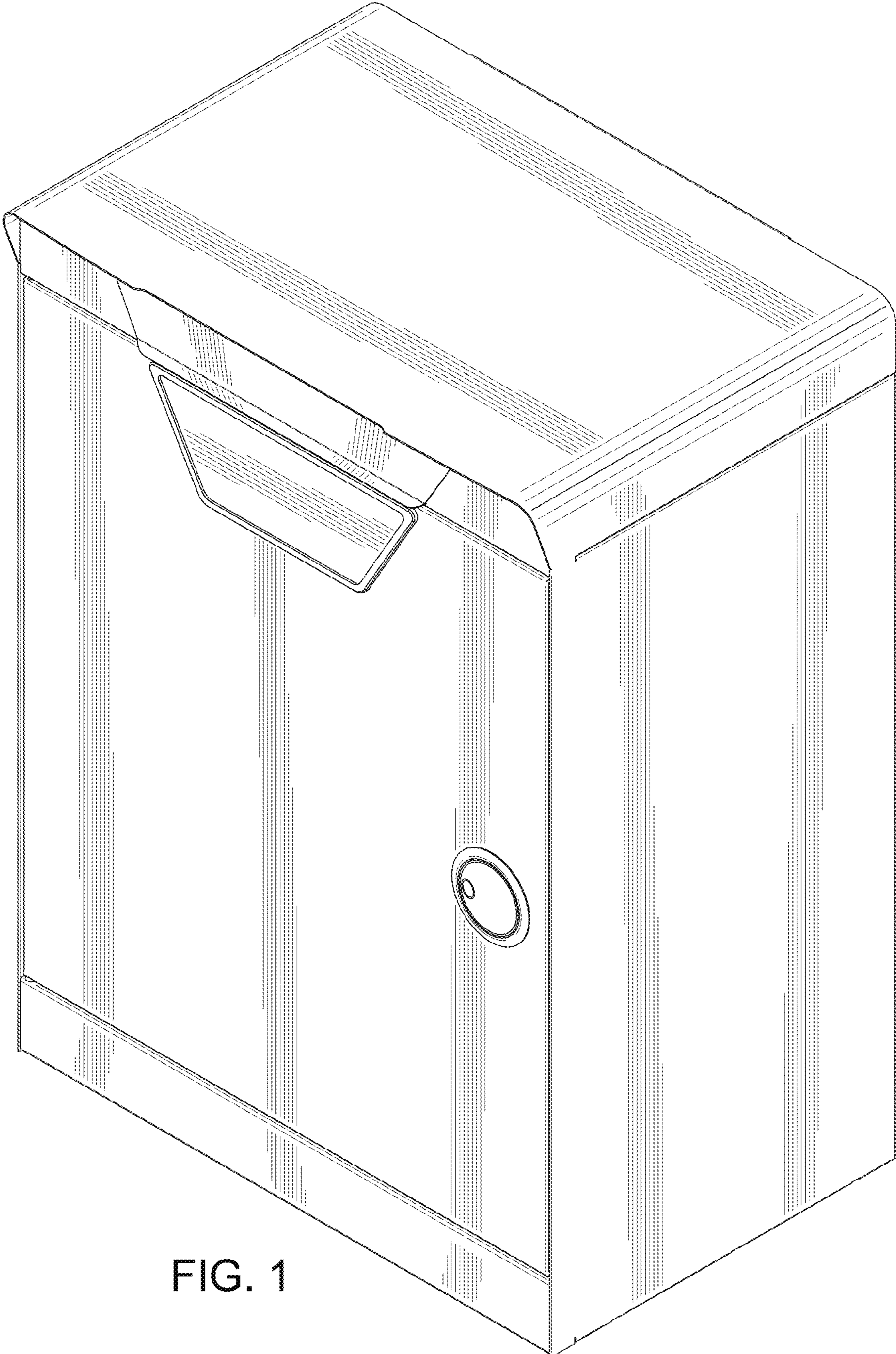


FIG. 1

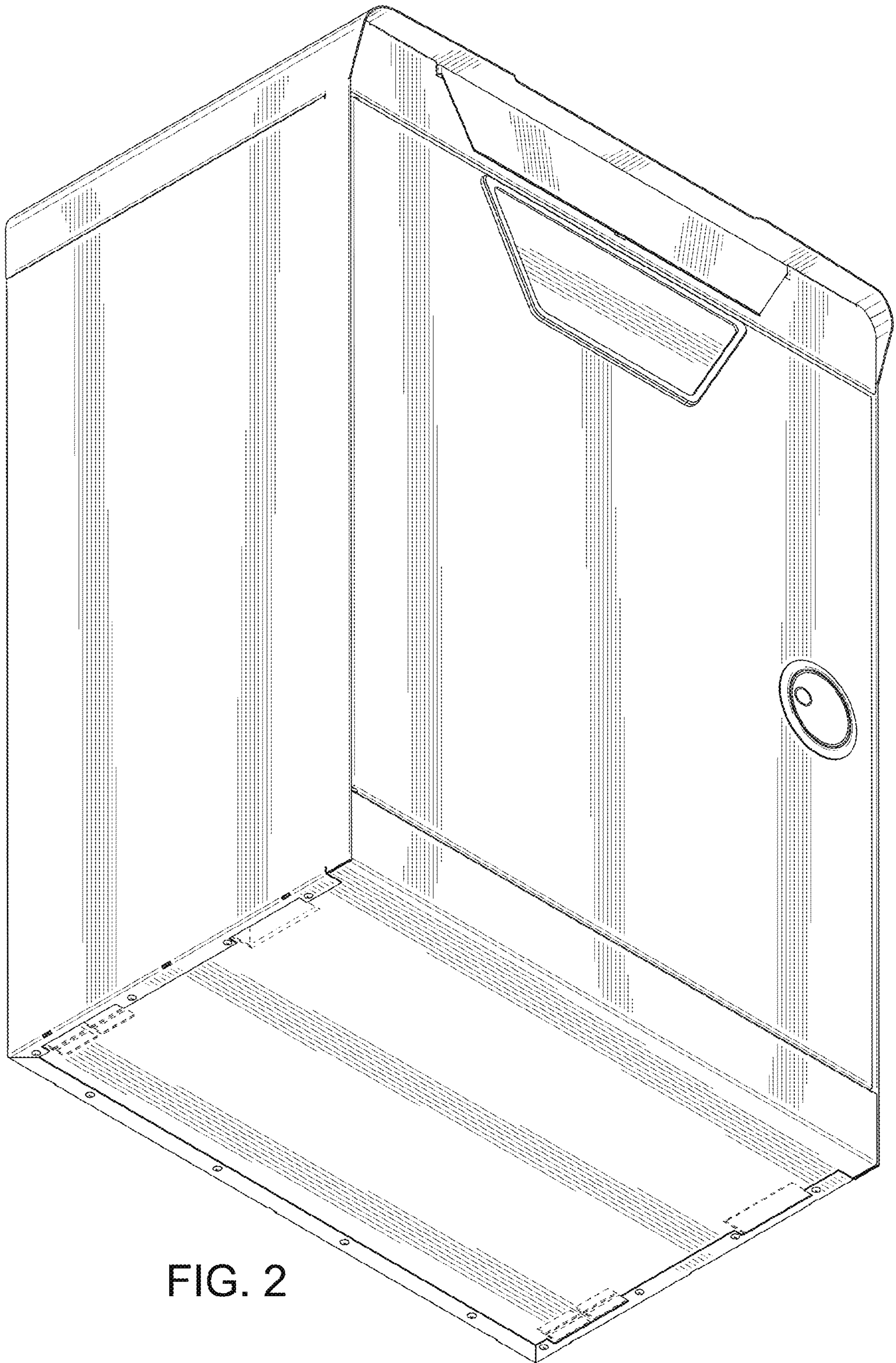


FIG. 2

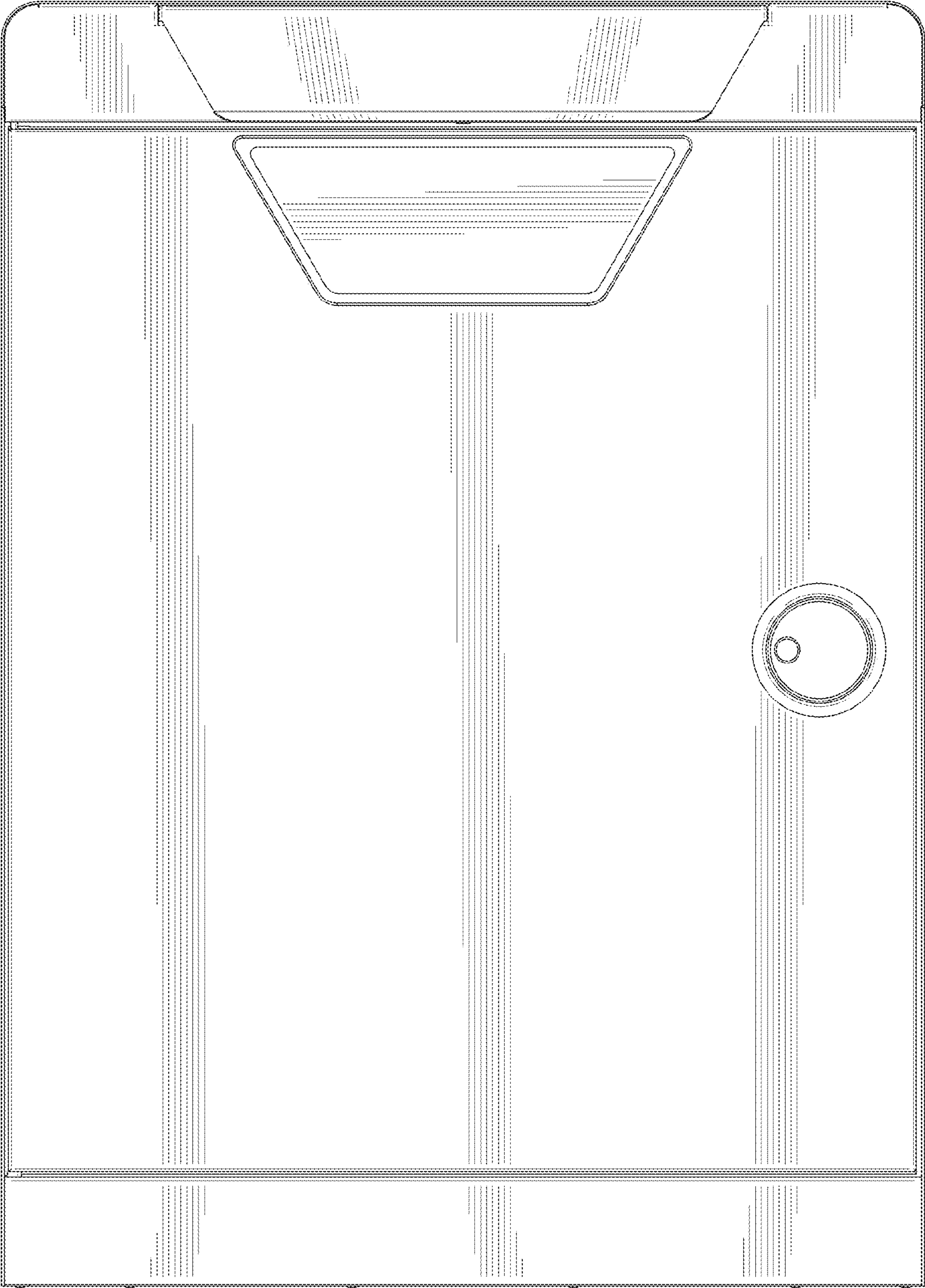


FIG. 3

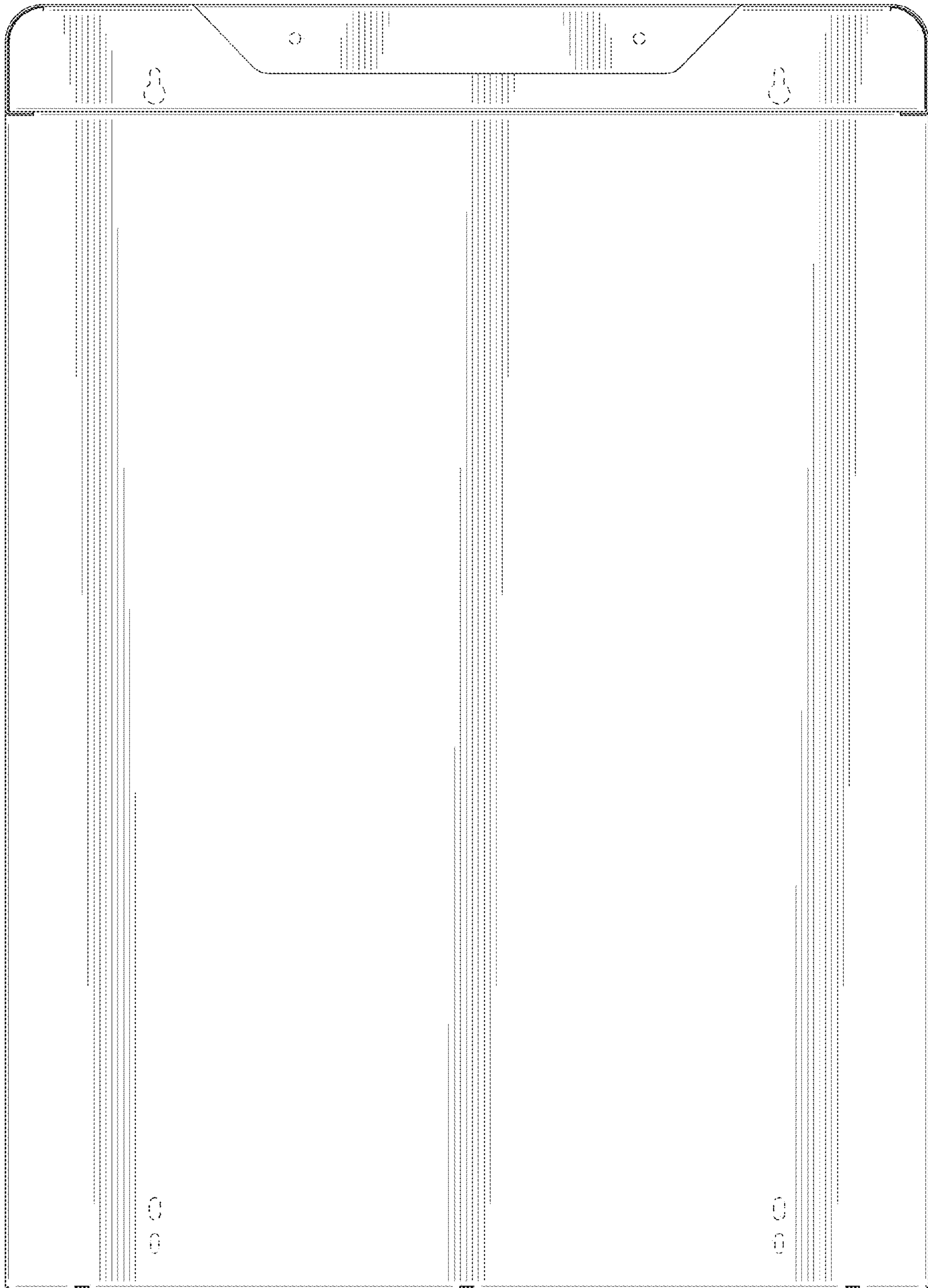


FIG. 4

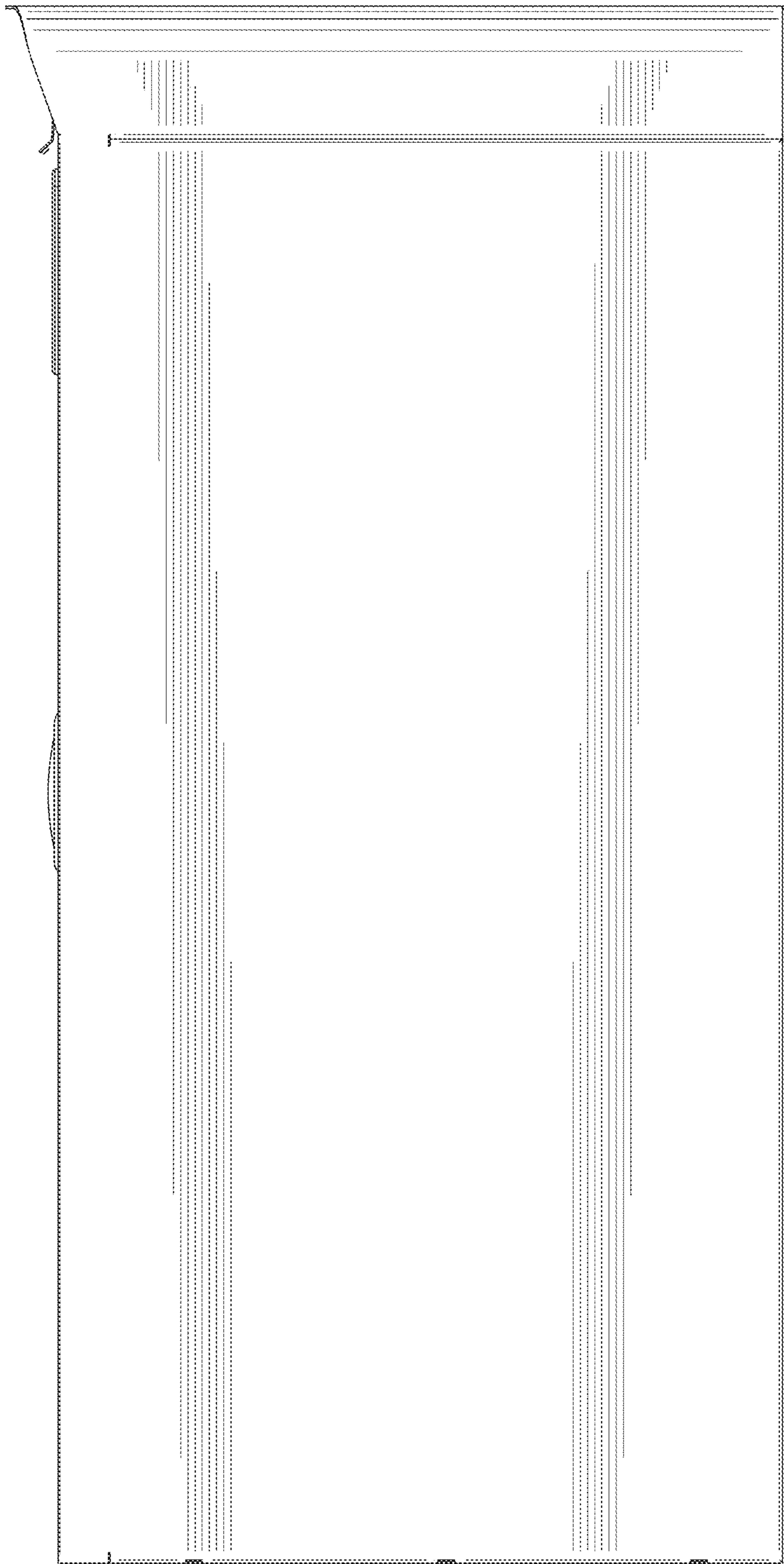


FIG. 5



FIG. 6

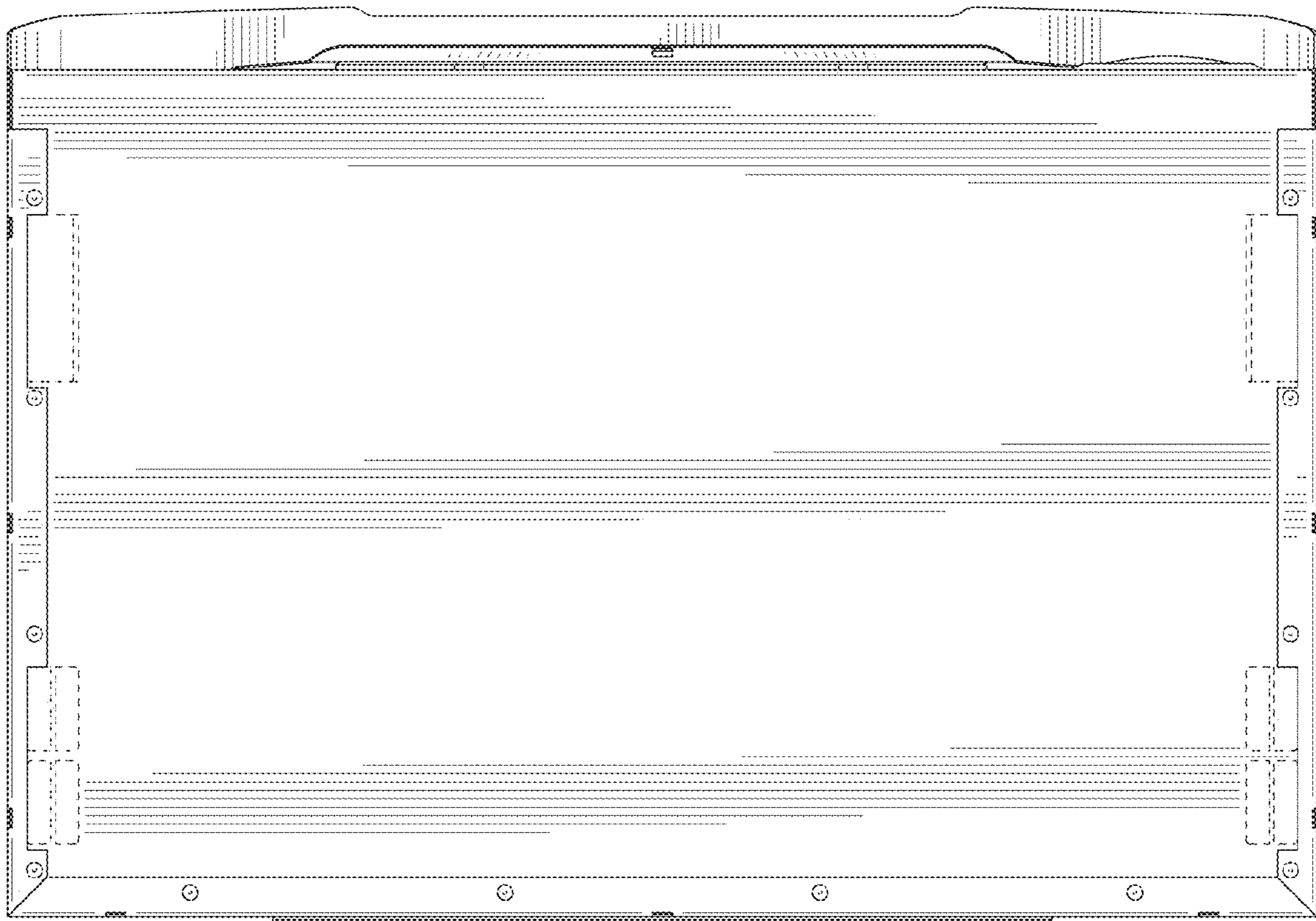


FIG. 7

UNITED STATES PATENT AND TRADEMARK OFFICE
CERTIFICATE OF CORRECTION

PATENT NO. : D912,924 S
APPLICATION NO. : 29/706108
DATED : March 9, 2021
INVENTOR(S) : Lauri Hirvesaar

Page 1 of 1

It is certified that error appears in the above-identified patent and that said Letters Patent is hereby corrected as shown below:

On the Title Page

Item (71) should read:

Applicant: Cleveron AS, Viljandi, (EE)

Signed and Sealed this
Eleventh Day of May, 2021



Drew Hirshfeld
*Performing the Functions and Duties of the
Under Secretary of Commerce for Intellectual Property and
Director of the United States Patent and Trademark Office*