



US00D912923S

(12) **United States Design Patent** (10) **Patent No.:** **US D912,923 S**  
**George** (45) **Date of Patent:** **\*\* Mar. 9, 2021**

(54) **JACK HEAD ISOLATOR**

(71) Applicant: **Jonathan Edward George**, Willis, TX (US)

(72) Inventor: **Jonathan Edward George**, Willis, TX (US)

(\*\*) Term: **15 Years**

(21) Appl. No.: **29/699,815**

(22) Filed: **Jul. 29, 2019**

(51) **LOC (13) Cl.** ..... **12-05**

(52) **U.S. Cl.**  
USPC ..... **D34/35**

(58) **Field of Classification Search**  
USPC .... D34/12-39; D8/382, 356, 249, 252, 254, D8/380, 105, 33, 366; D25/119; D12/106, 223; D21/365, 491  
CPC .... B66F 3/18; B66F 13/00; B66F 1/00; B66F 19/00; F16L 1/06; F16L 1/0246; E02D 5/08

See application file for complete search history.

(56) **References Cited**

**U.S. PATENT DOCUMENTS**

D690,188 S \* 9/2013 Pontus ..... D8/349  
D779,147 S \* 2/2017 Bauernfeind ..... D34/31  
2020/0072386 A1\* 3/2020 George ..... F16L 1/0246

**OTHER PUBLICATIONS**

Edge Protector, announced 2020 [online], [site visited Mar. 5, 2020]. Available from internet, URL: [https://www.thepackagingcompany.us/light-duty-edge-protectors-120-thick-3-x-3-x-60.html?fee=3&fep=12419&utm\\_source=pla\\_us](https://www.thepackagingcompany.us/light-duty-edge-protectors-120-thick-3-x-3-x-60.html?fee=3&fep=12419&utm_source=pla_us) (Year: 2020).\*

Strap Protector, announced 2020 [online], [site visited Mar. 5, 2020]. Available from internet, URL: <https://www.completepackagingproducts.com/3-x-3-x-4-Strap-Protector-4564-p/4564.htm> (Year: 2020).\*

Vee Shaped Jack, announced 2020 [online], [site visited Mar. 5, 2020]. Available from internet, URL: [https://www.acmetools.com/shop/tools/sumner-780385s?utm\\_source=google&utm\\_medium=organic&utm\\_campaign=surfaces](https://www.acmetools.com/shop/tools/sumner-780385s?utm_source=google&utm_medium=organic&utm_campaign=surfaces) (Year: 2020).\*

\* cited by examiner

*Primary Examiner* — George A Bugg  
*Assistant Examiner* — Tamara L Hahn

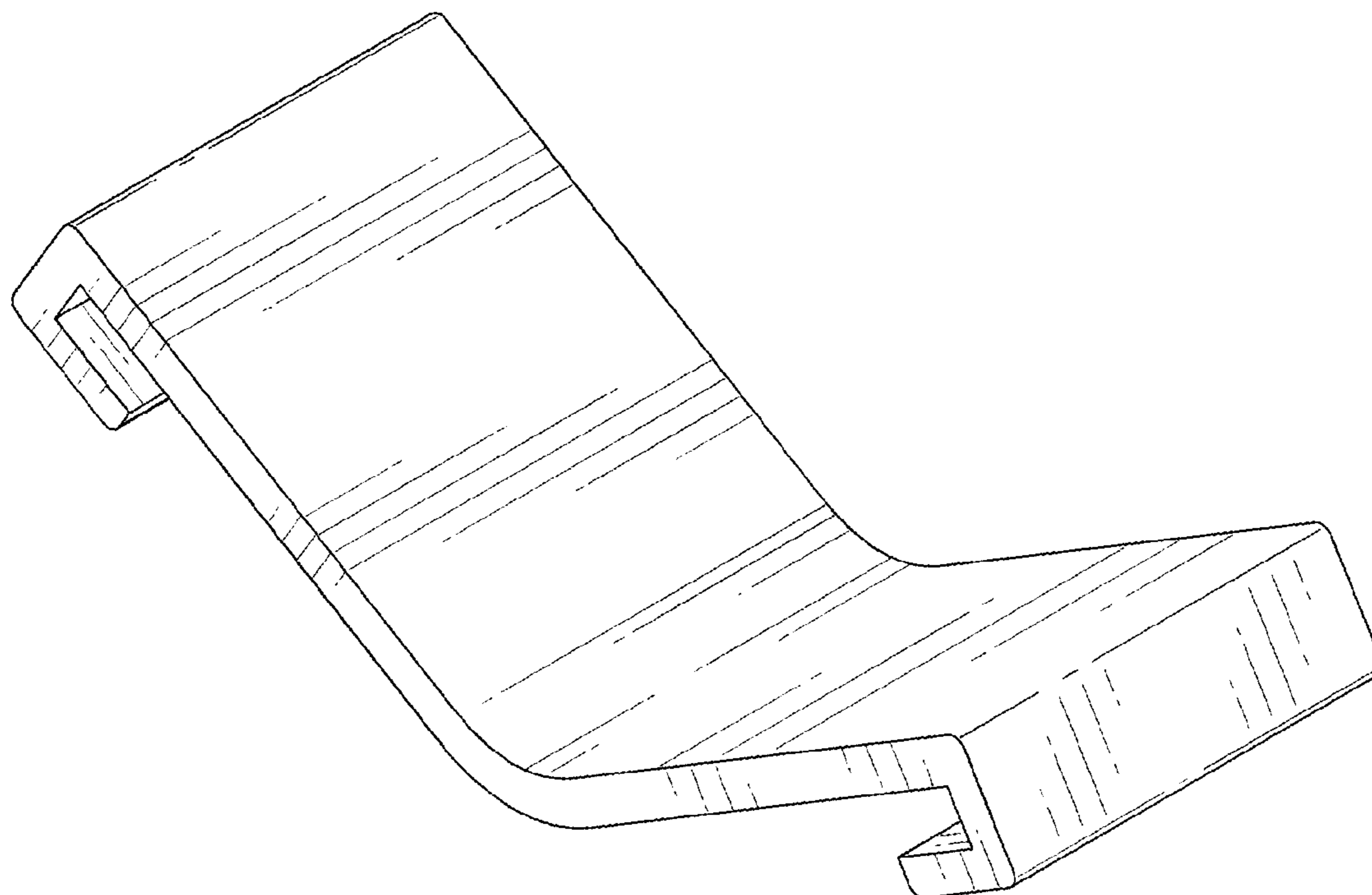
(57) **CLAIM**

The ornamental design for a jack head isolator, as shown and described.

**DESCRIPTION**

FIG. 1 is a front-top perspective view of a jack head isolator showing my new design;  
FIG. 2 is a front-bottom perspective view thereof;  
FIG. 3 is a rear-top perspective view thereof;  
FIG. 4 is a rear-bottom perspective view thereof;  
FIG. 5 is a front elevational view thereof, where the rear elevational view is identical thereto;  
FIG. 6 is a left elevation view thereof, where the right elevational view is identical thereto;  
FIG. 7 is a top plan view thereof; and,  
FIG. 8 is a bottom plan view thereof.

**1 Claim, 8 Drawing Sheets**



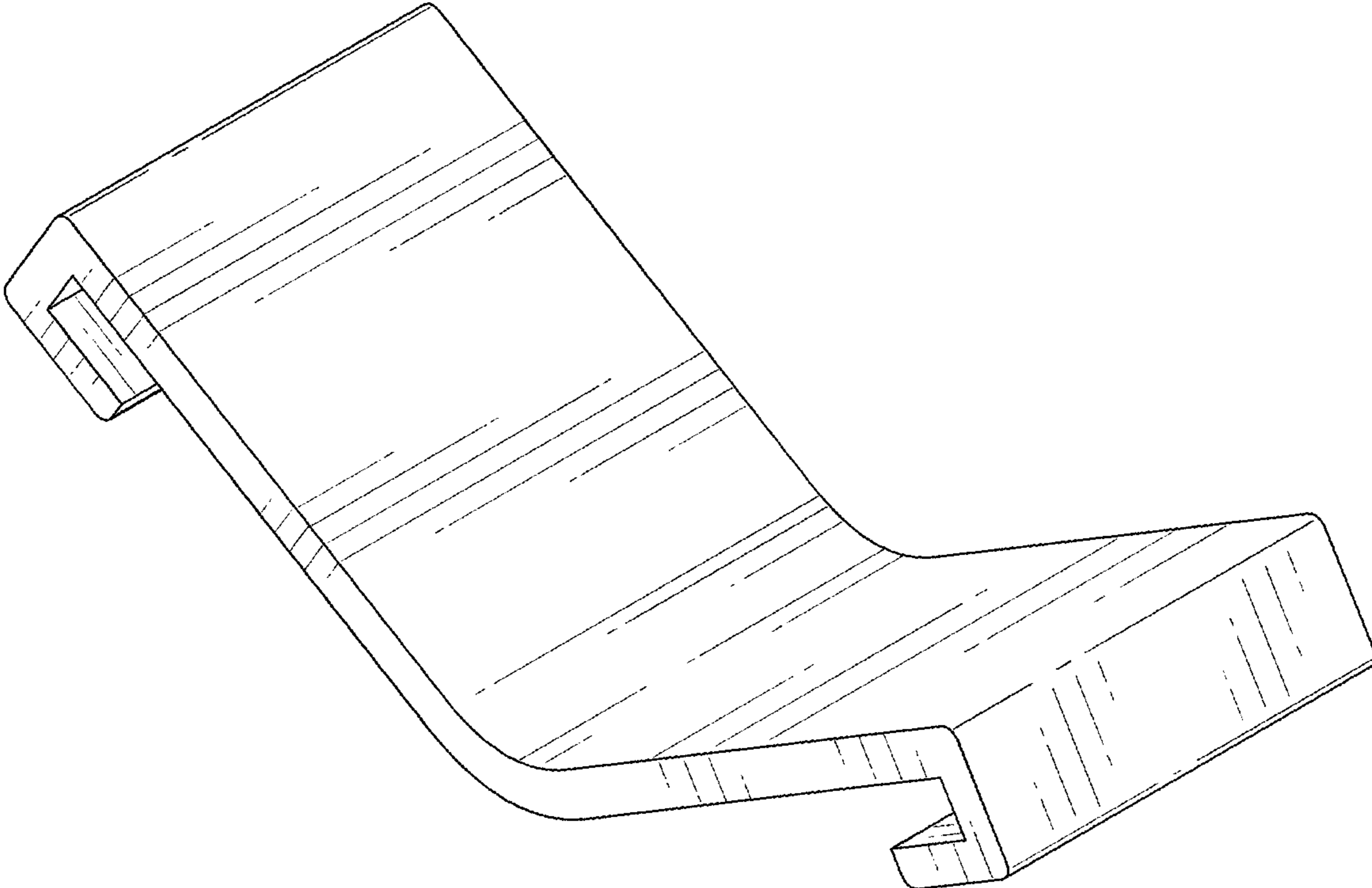


FIG. 1

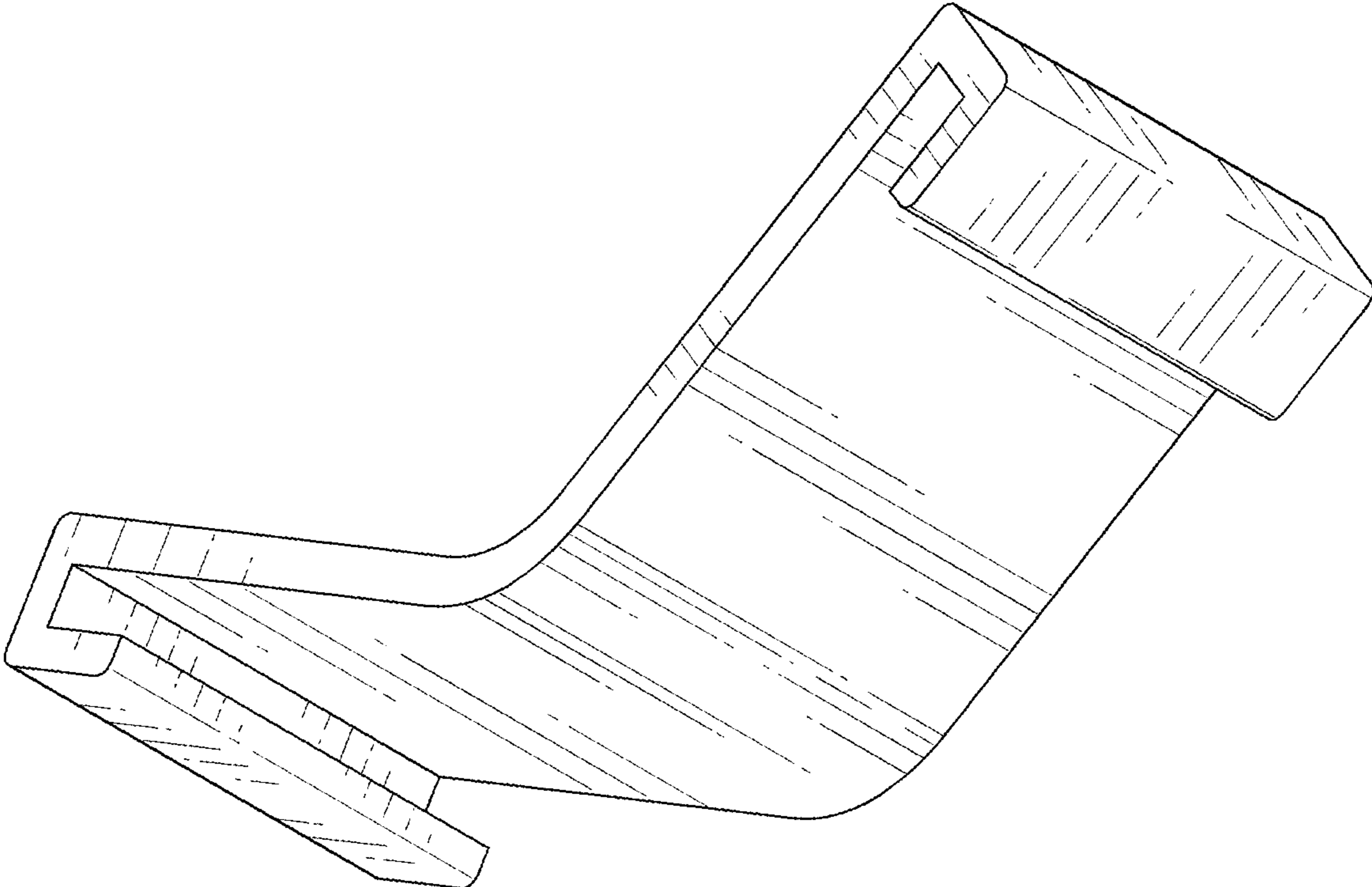


FIG. 2

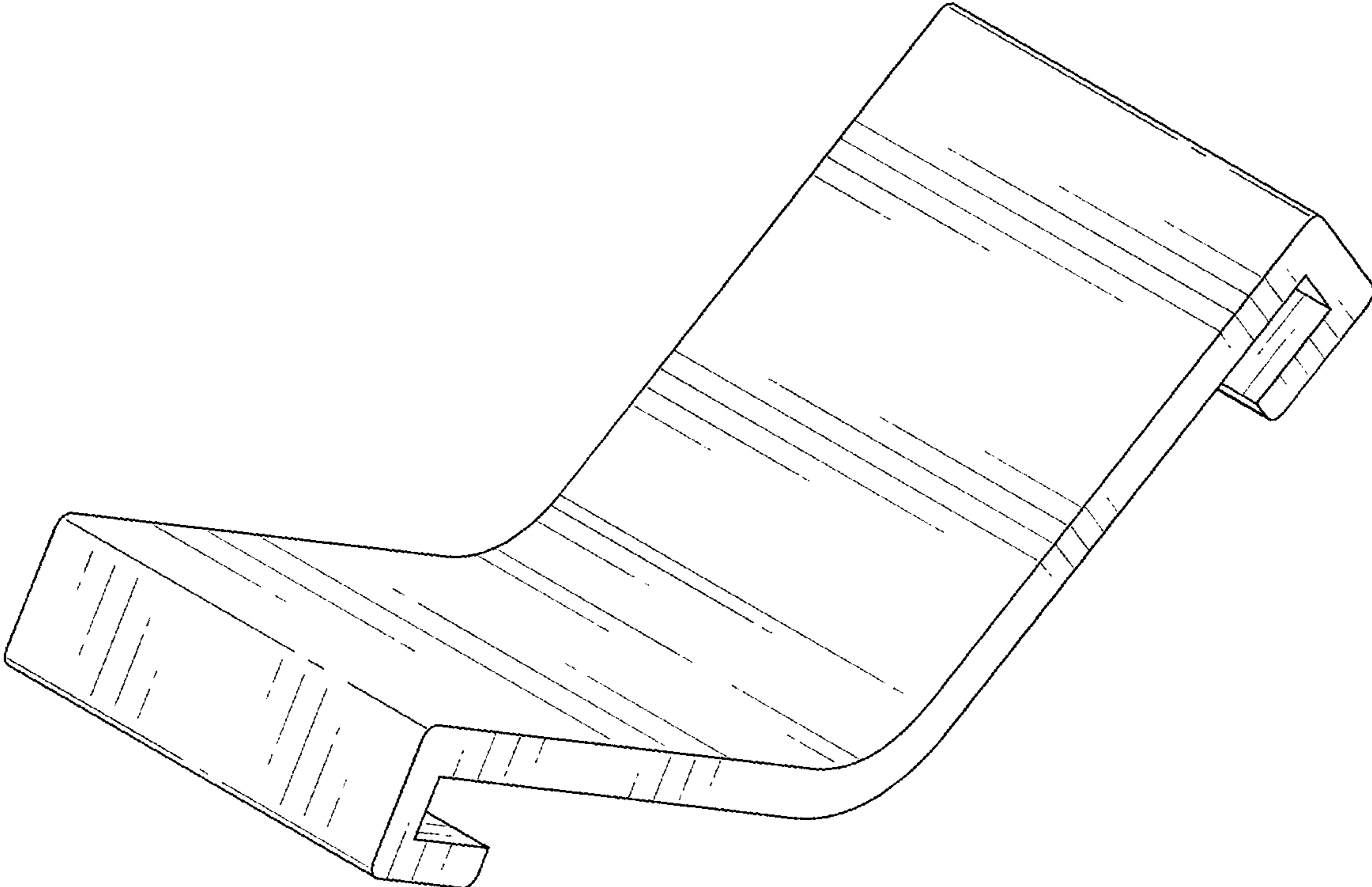


FIG. 3

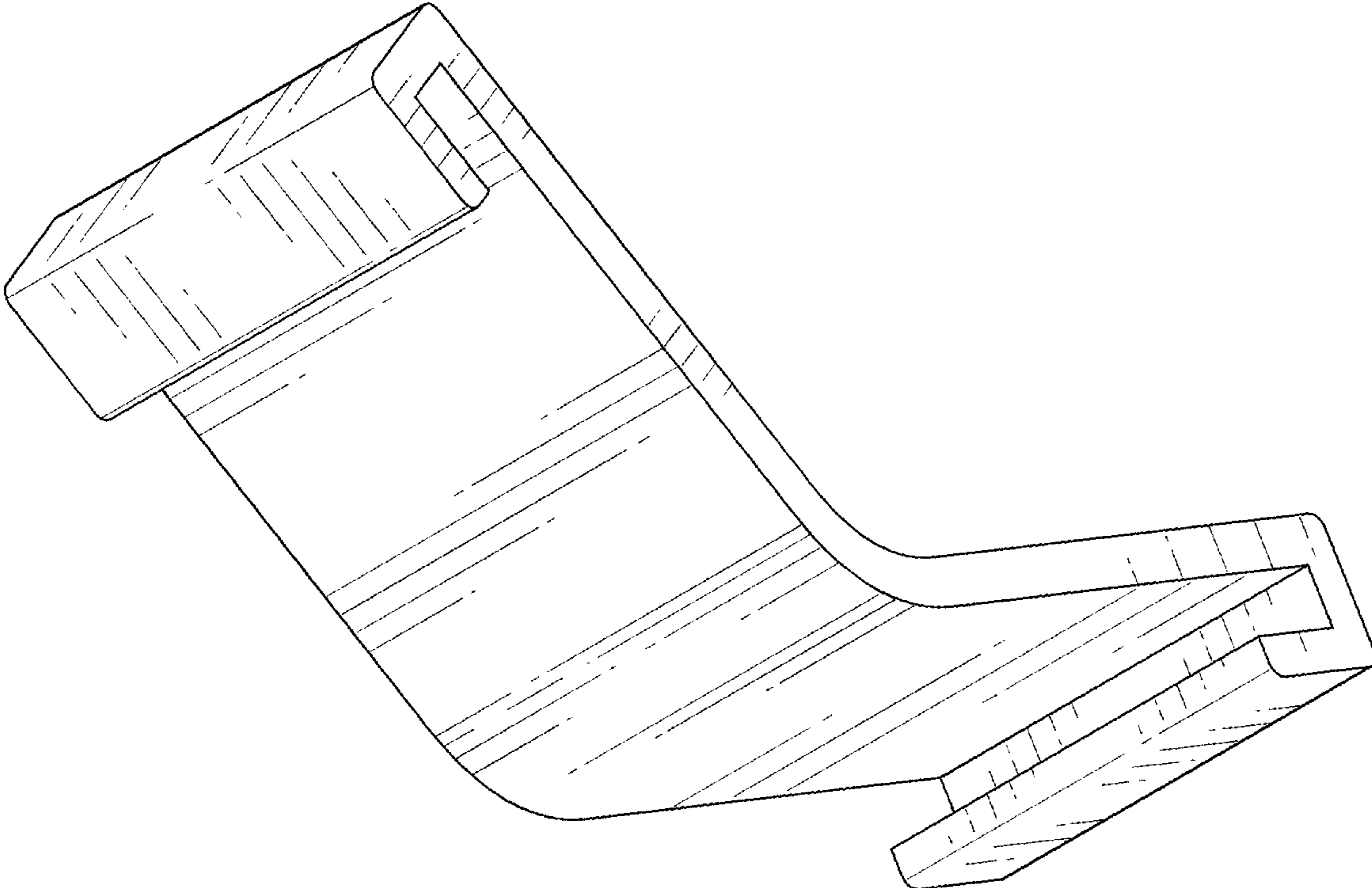


FIG. 4

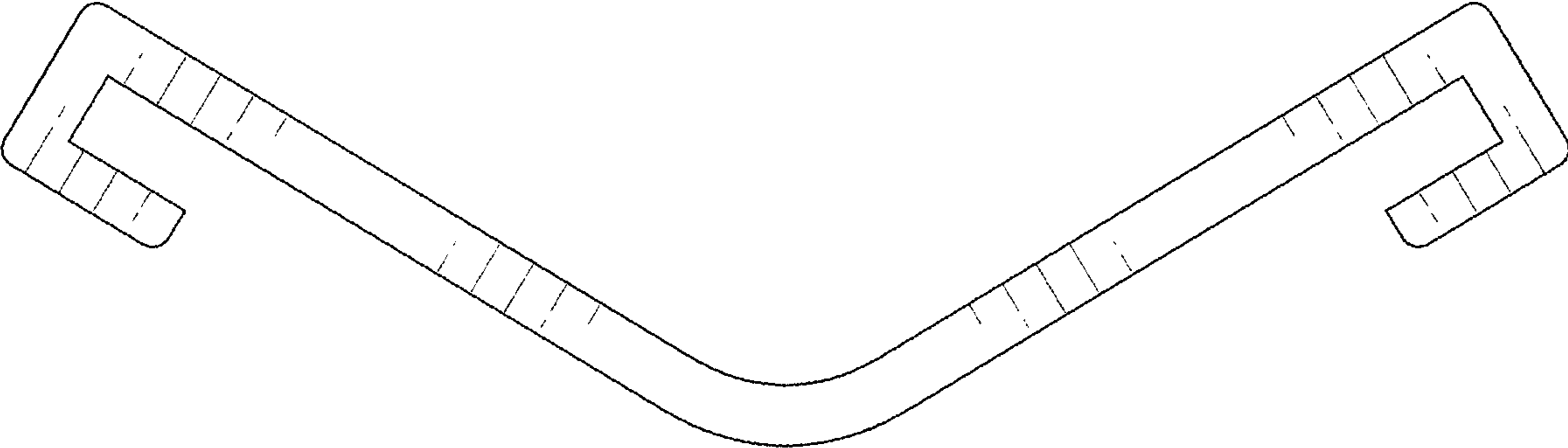


FIG. 5

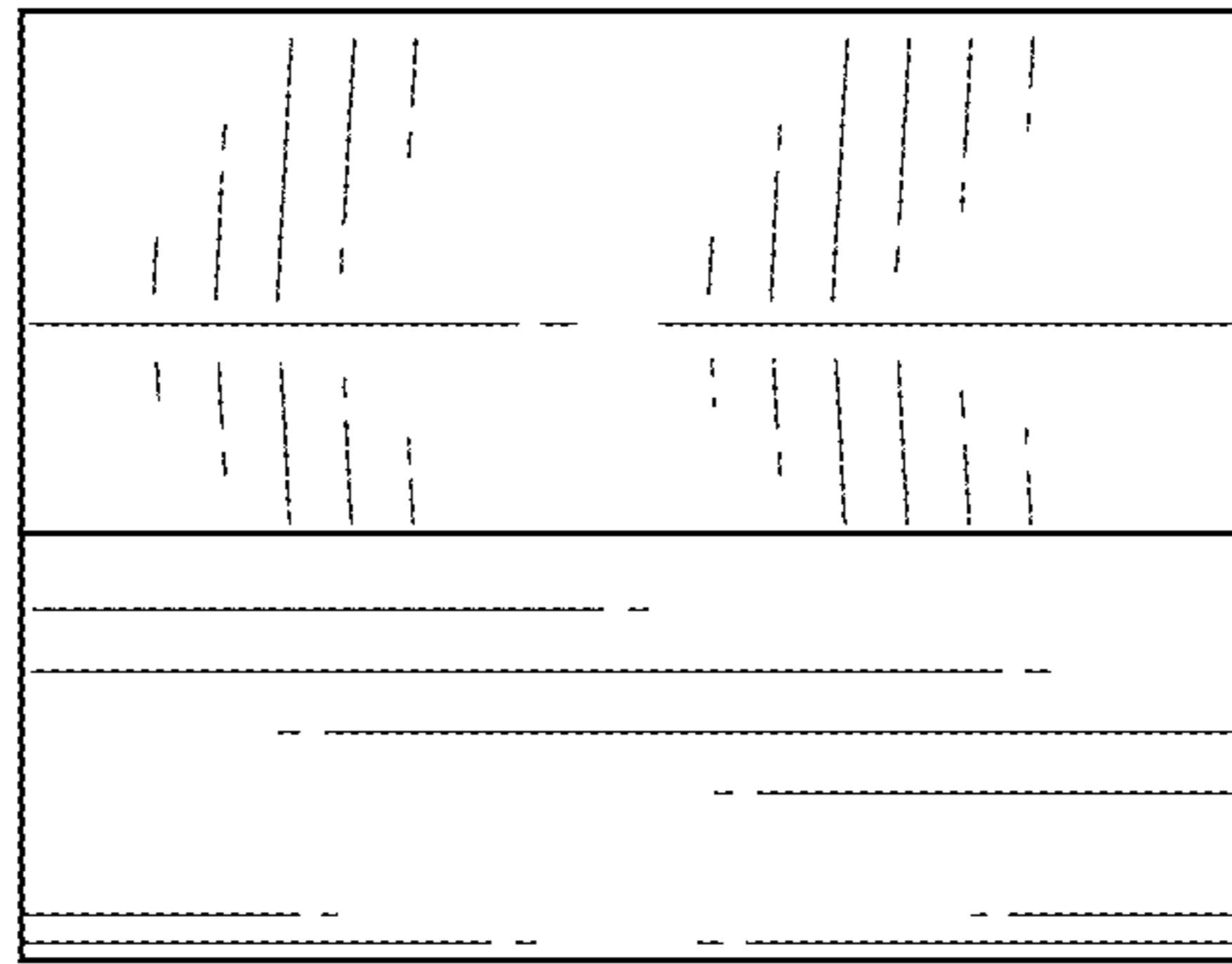


FIG. 6

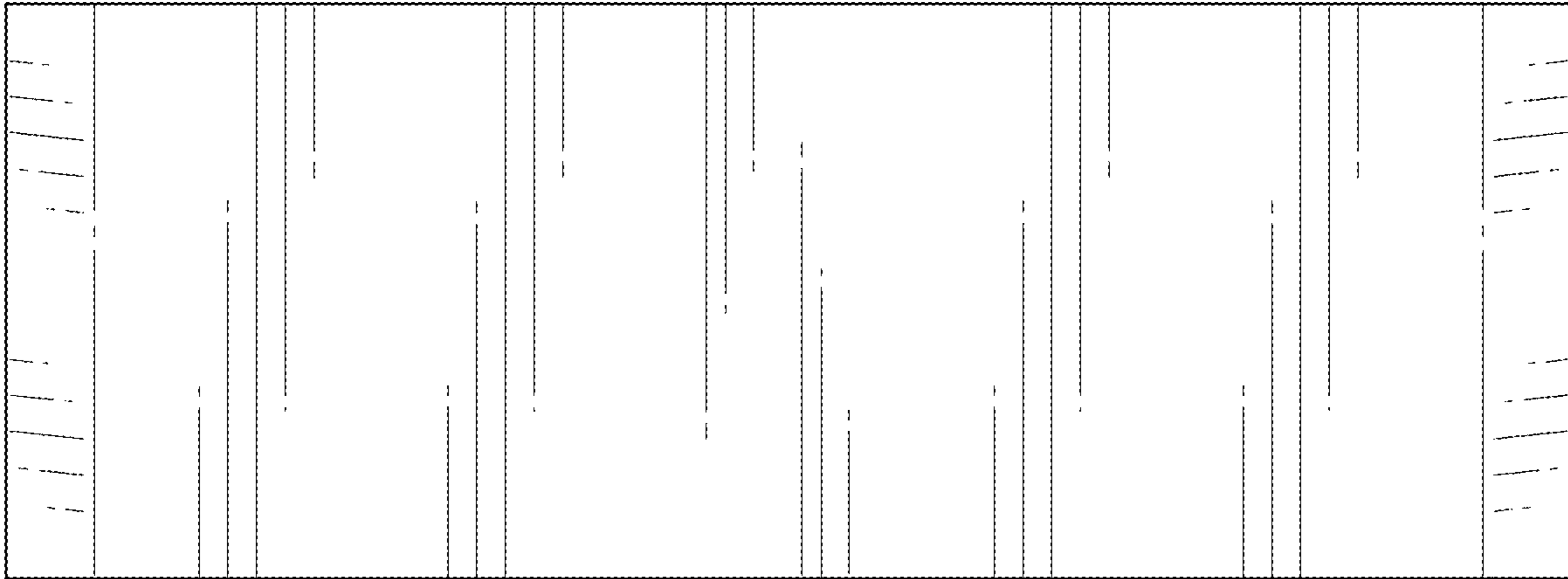


FIG. 7



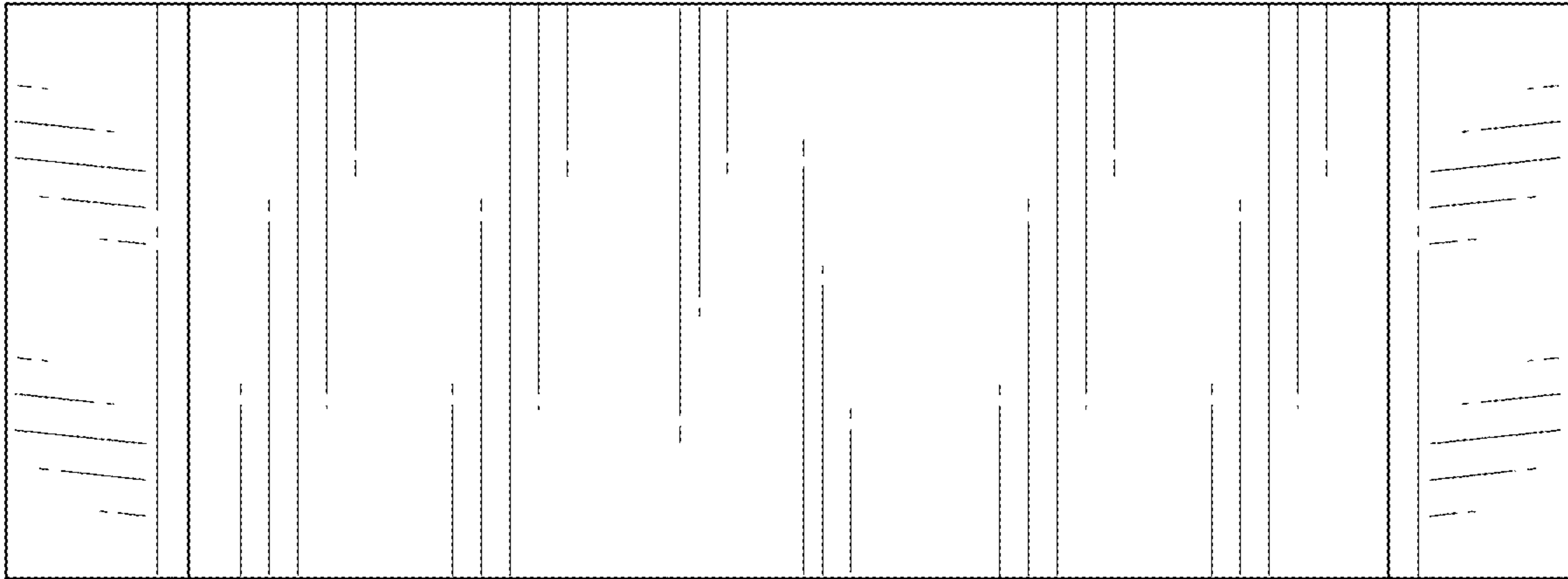


FIG. 8