



US00D912922S

(12) **United States Design Patent** (10) **Patent No.:** **US D912,922 S**
Yoshioka et al. (45) **Date of Patent:** **** Mar. 9, 2021**

(54) **DASHBOARD PANEL FOR A FORKLIFT TRUCK**

(71) Applicant: **Mitsubishi Logisnext Co., Ltd.**, Kyoto (JP)

(72) Inventors: **Masahiro Yoshioka**, Kyoto (JP); **Hiroaki Kumazawa**, Kyoto (JP)

(73) Assignee: **MITSUBISHI LOGISNEXT CO., LTD.**, Kyoto (JP)

(**) Term: **15 Years**

(21) Appl. No.: **29/691,591**

(22) Filed: **May 17, 2019**

(30) **Foreign Application Priority Data**

Nov. 30, 2018 (JP) 2018-026049

(51) **LOC (13) Cl.** **12-05**

(52) **U.S. Cl.**
USPC **D34/35**

(58) **Field of Classification Search**
USPC D34/28, 35; D12/174; D13/168; D15/28; D21/333, 566
CPC .. B66F 17/003; B66F 9/12; B66F 9/24; B66F 9/0755; B66F 9/07572; H01H 9/0214; H01H 9/0235; H01H 9/04; H01H 9/06
See application file for complete search history.

(56) **References Cited**

U.S. PATENT DOCUMENTS

D432,963 S * 10/2000 Meinhardt D12/192
D444,750 S * 7/2001 Meinhardt D12/192

D525,409 S * 7/2006 Cantrill D12/192
D612,563 S * 3/2010 Stark D34/34
D663,502 S * 7/2012 Lin D34/34
D777,623 S * 1/2017 Anderton D12/174
D786,314 S * 5/2017 Okuyama D15/28
D847,869 S * 5/2019 Sachtleben D15/28
D907,323 S * 1/2021 Brendel D34/35
2017/0210603 A1* 7/2017 Maffeis B66C 13/44

* cited by examiner

Primary Examiner — Cynthia Ramirez

(74) *Attorney, Agent, or Firm* — Kirschstein, Israel, Schiffmiller & Pieroni, P.C.

(57) **CLAIM**

The ornamental design for a dashboard panel for a forklift truck, as shown.

DESCRIPTION

FIG. 1 is an overhead, front, and right side, perspective view of a dashboard panel for a forklift truck according to our new design.

FIG. 2 is an overhead, front, and left side, perspective view thereof.

FIG. 3 is a front, and left side, perspective view from below thereof.

FIG. 4 is a rear elevation view thereof.

FIG. 5 is a front elevation view thereof.

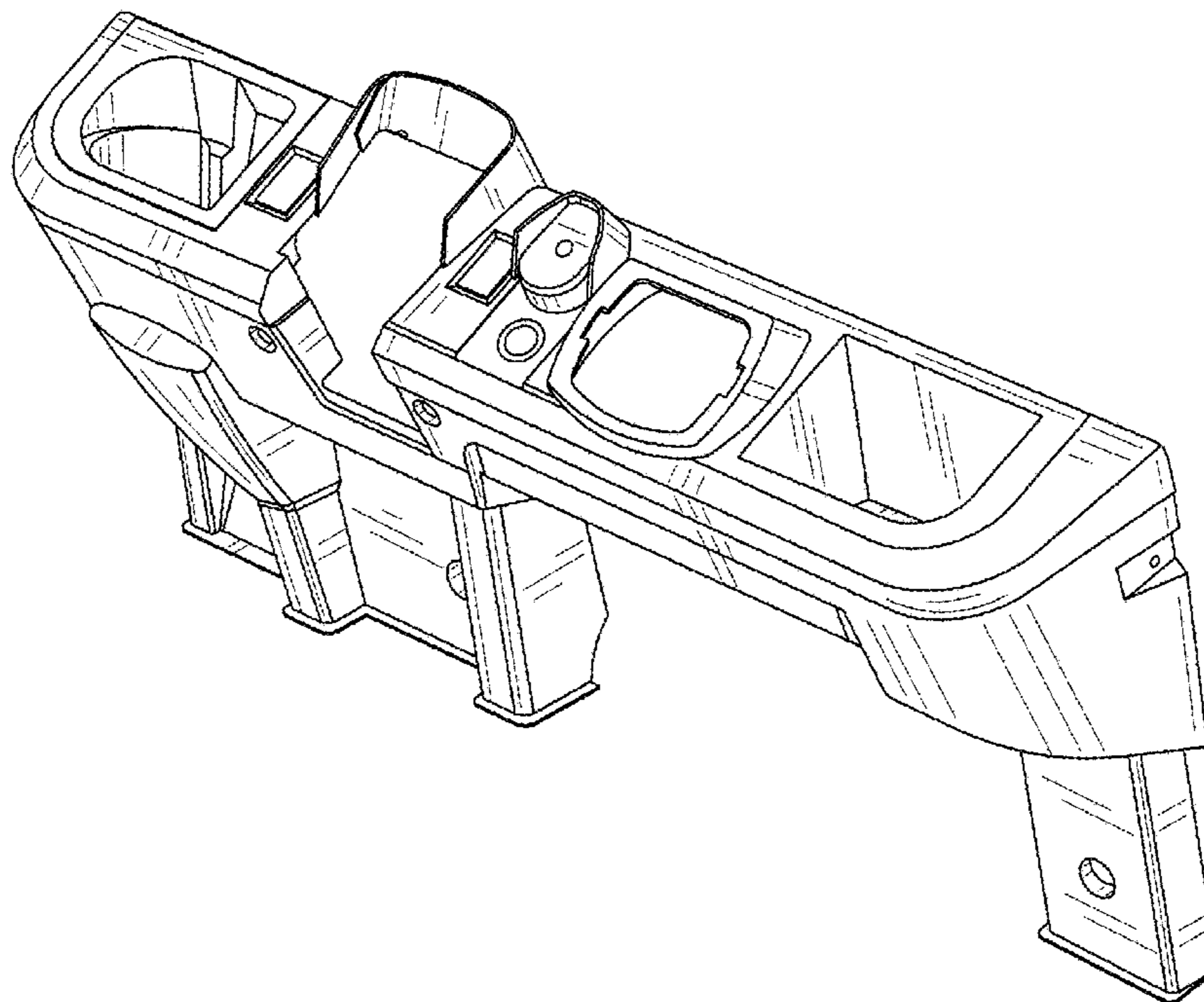
FIG. 6 is a top plan view thereof.

FIG. 7 is a bottom plan view thereof.

FIG. 8 is a left side elevation view thereof; and,

FIG. 9 is a right side elevation view thereof.

1 Claim, 9 Drawing Sheets



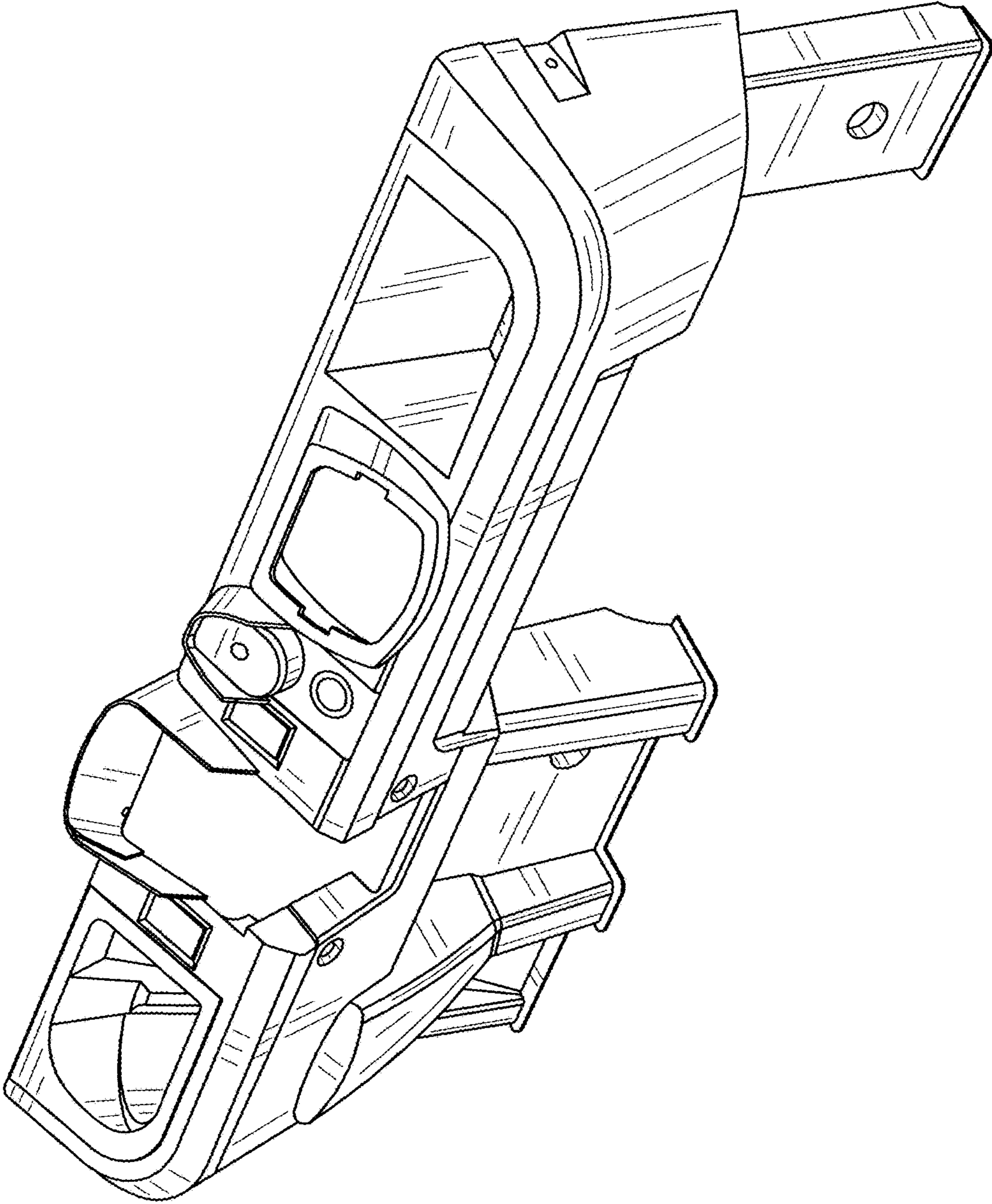


FIG. 1

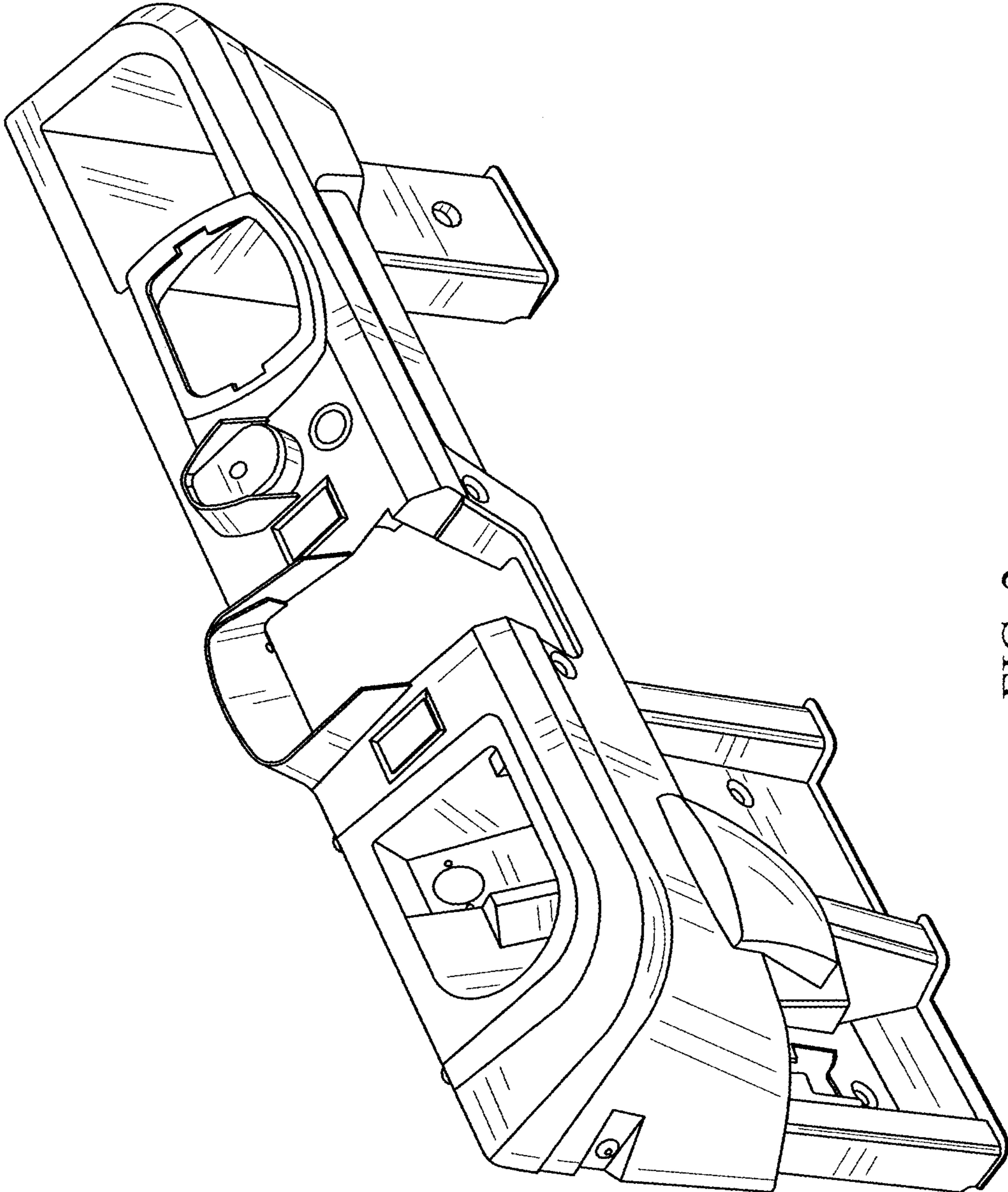


FIG. 2

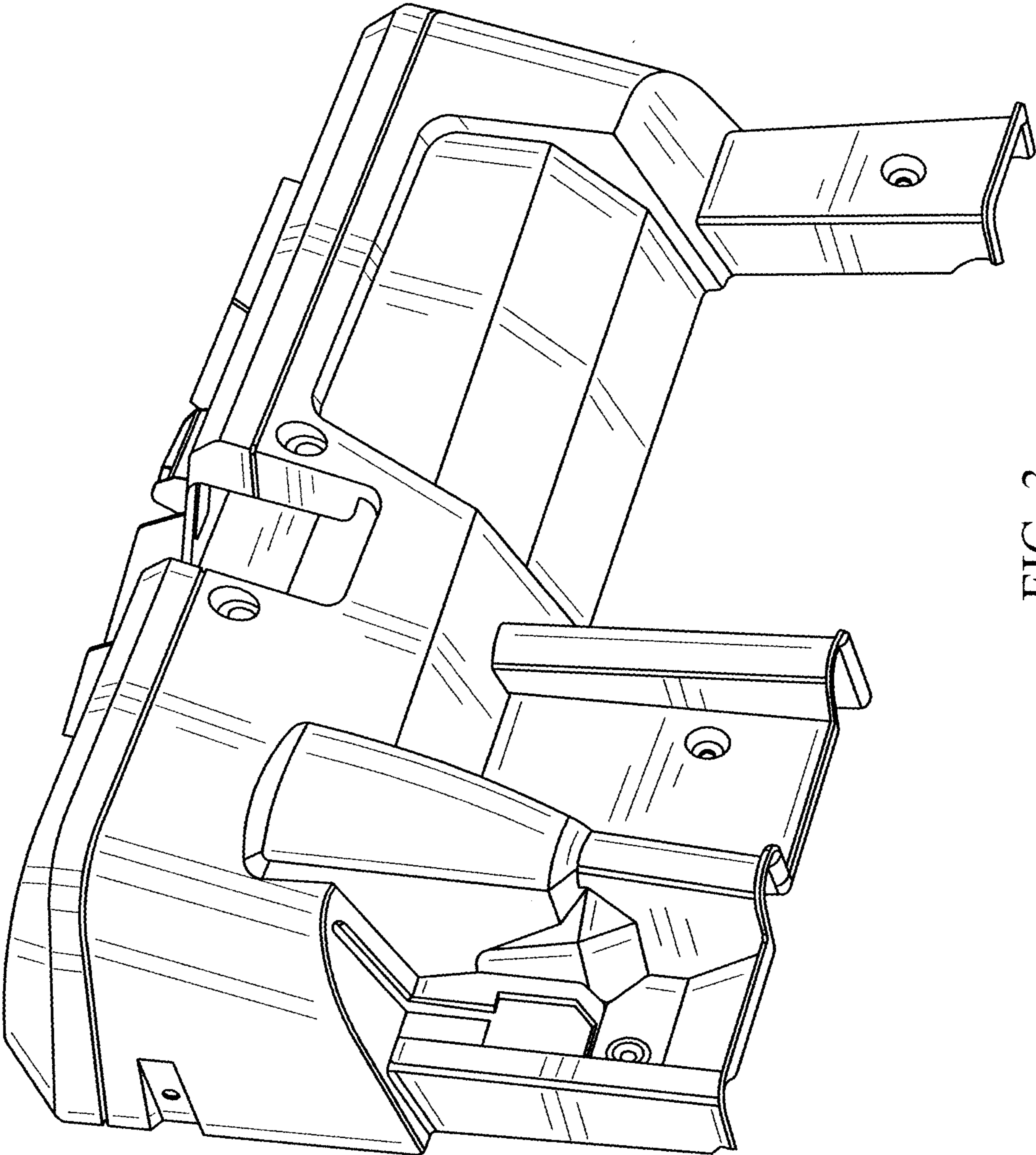


FIG. 3

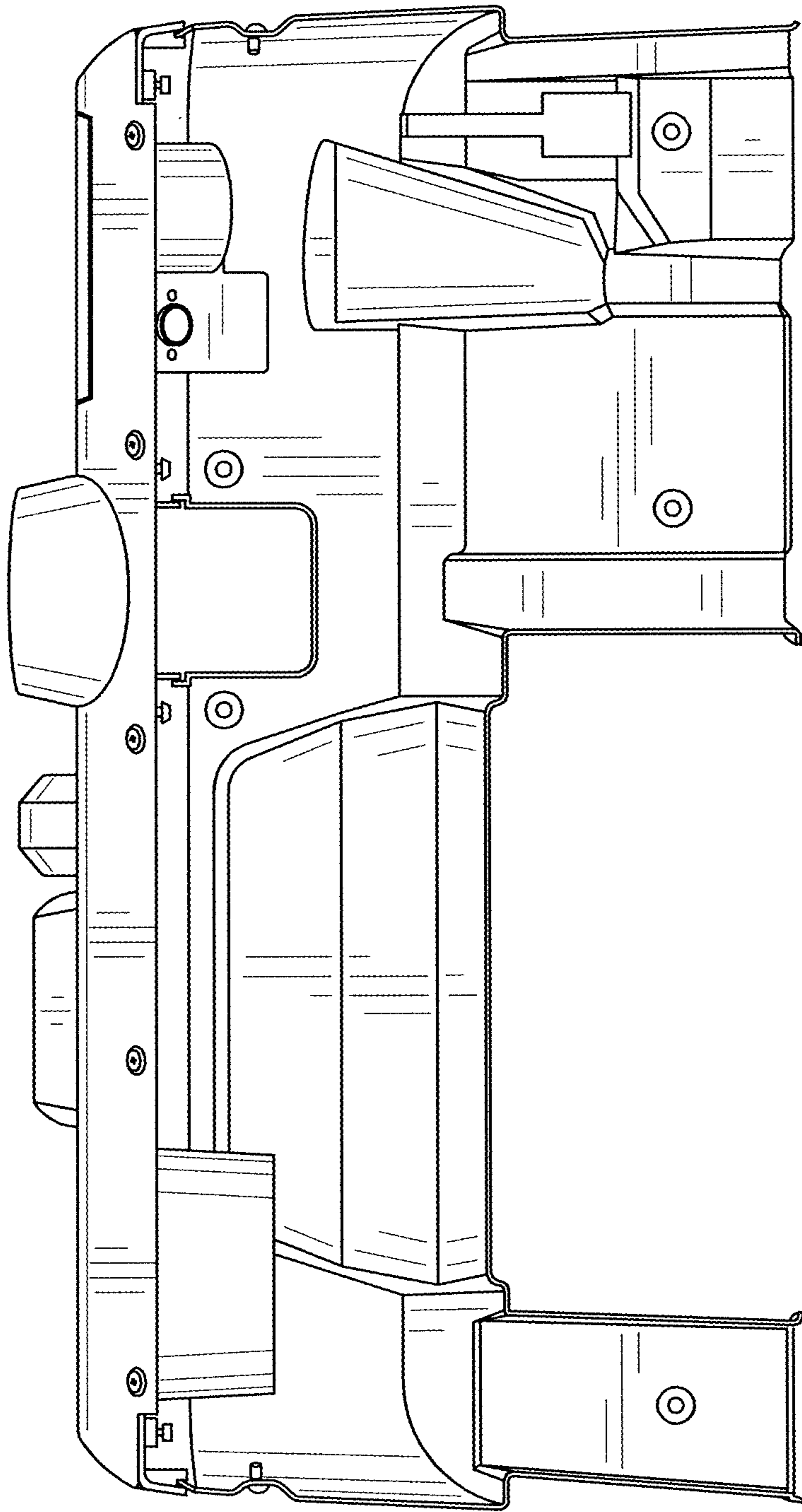


FIG. 4

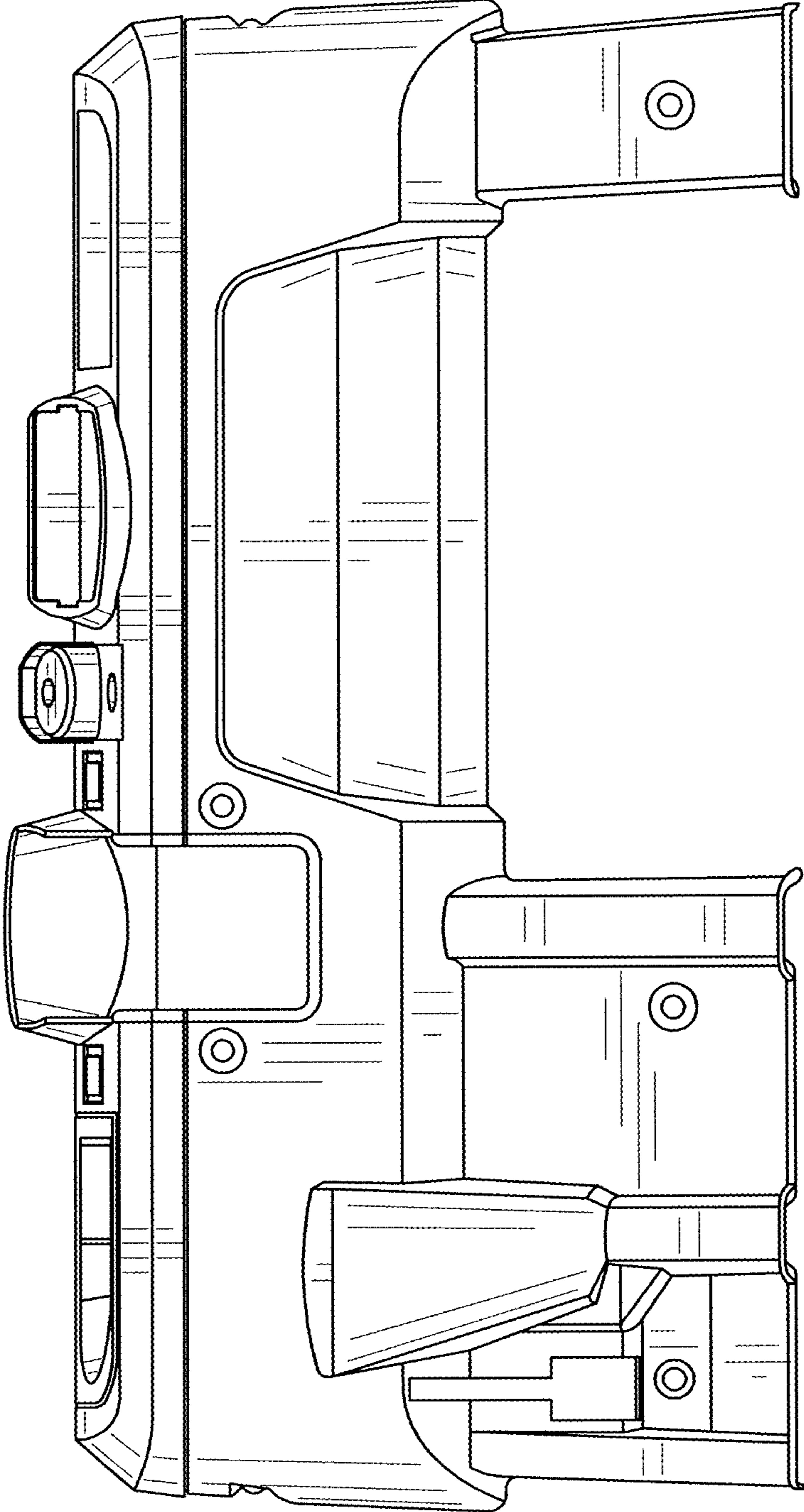


FIG. 5

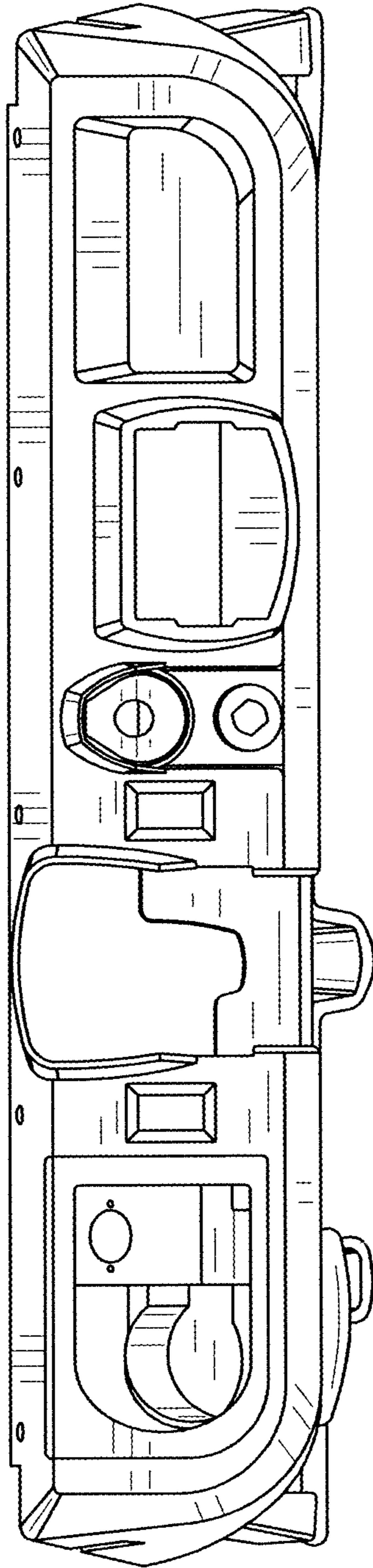


FIG. 6

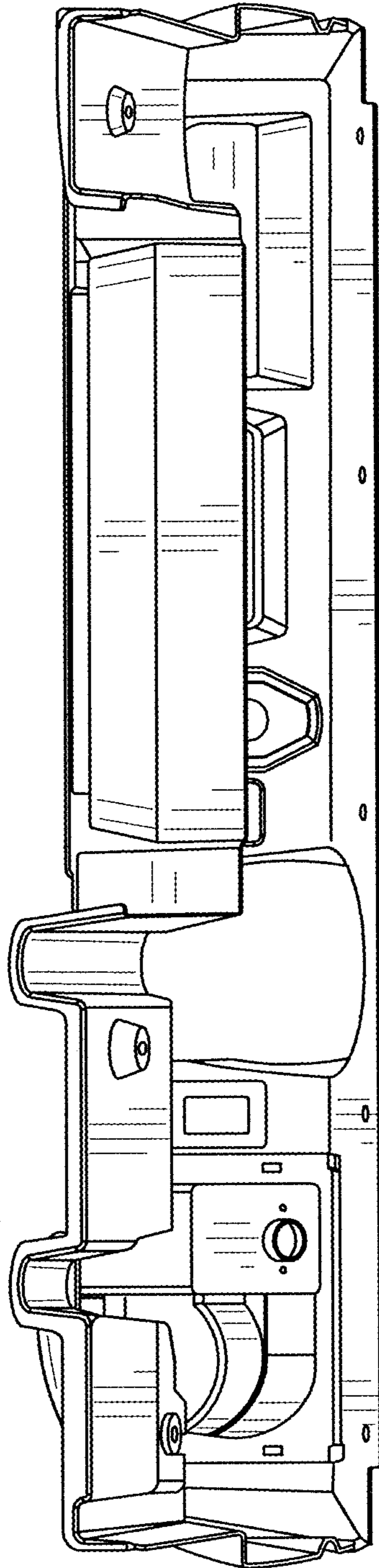


FIG. 7

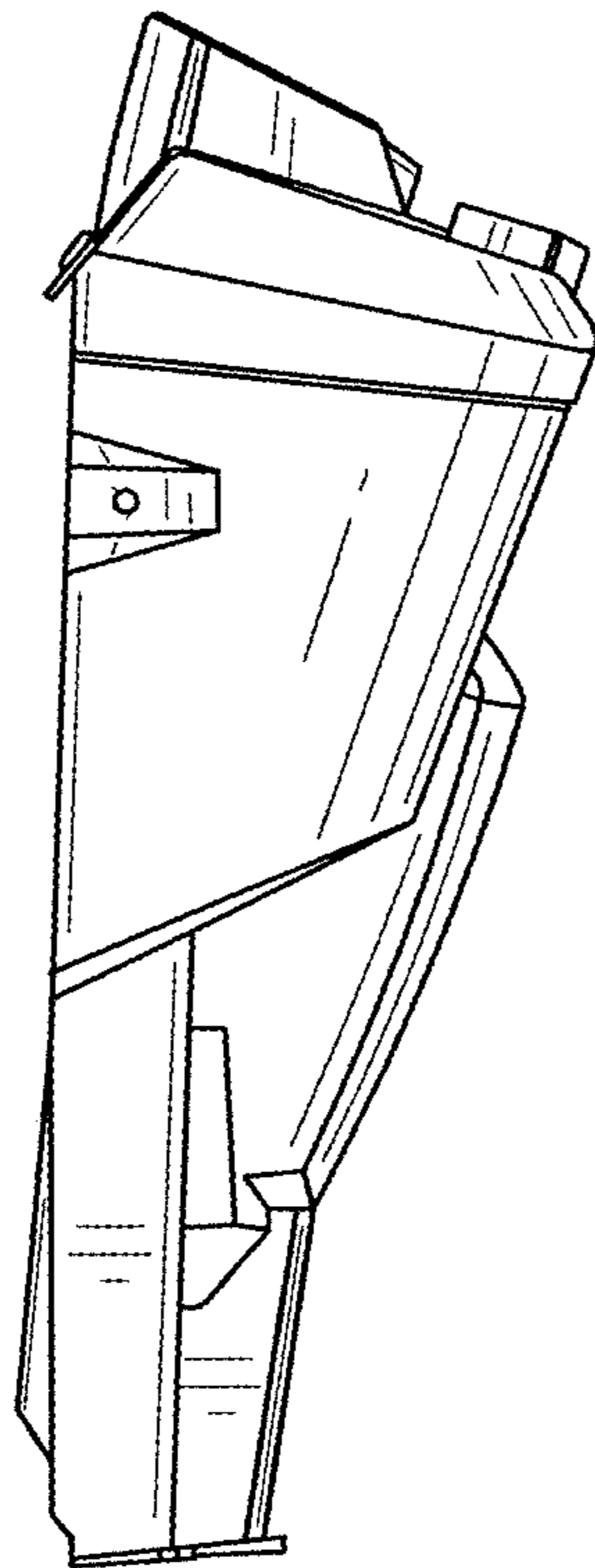


FIG. 8

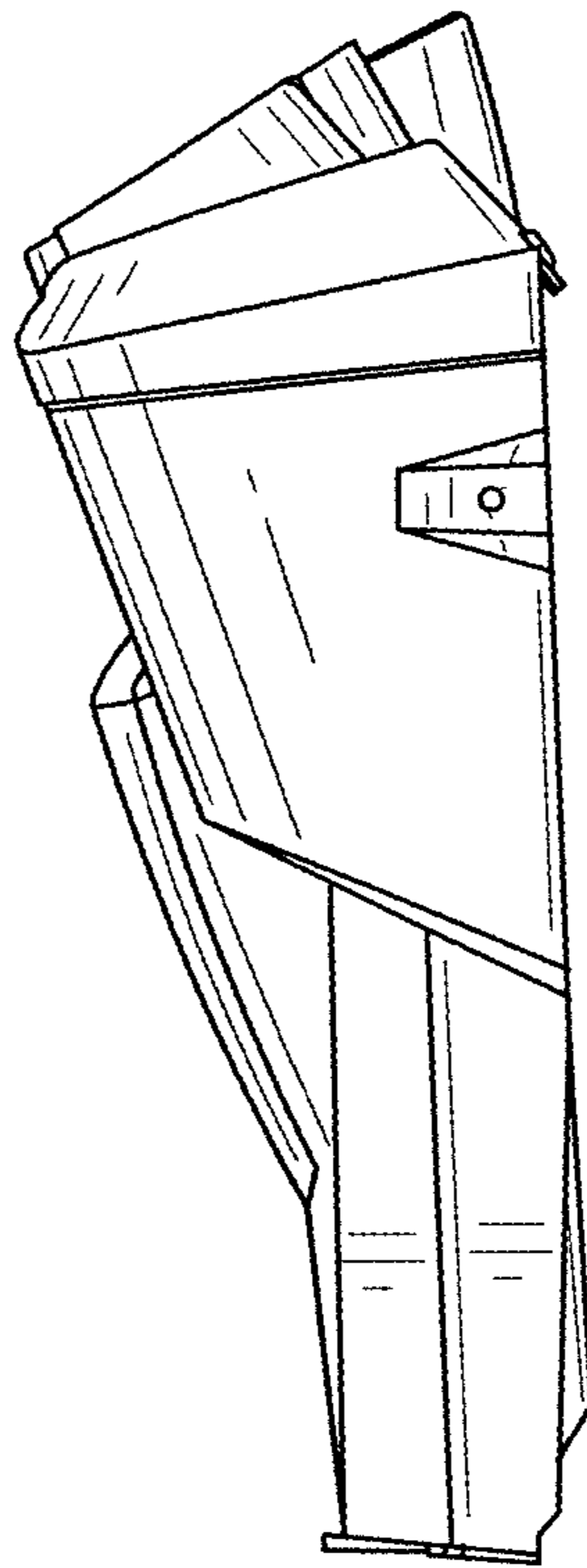


FIG. 9