



US00D912921S

(12) **United States Design Patent**
Dilts

(10) **Patent No.:** **US D912,921 S**

(45) **Date of Patent:** **** Mar. 9, 2021**

(54) **FORKLIFT MOUNT**
(71) Applicant: **PIGGYBACK MOUNTS**, Lafayette,
IN (US)
(72) Inventor: **Derrick Dilts**, West Lafayette, IN (US)
(73) Assignee: **PIGGYBACK MOUNTS**, Lafayette,
IN (US)
(**) Term: **15 Years**
(21) Appl. No.: **29/688,553**

(22) Filed: **Apr. 23, 2019**
(51) **LOC (13) Cl.** **12-05**
(52) **U.S. Cl.**
USPC **D34/35**
(58) **Field of Classification Search**
USPC D34/12-20, 23-28, 33-35, 37; D15/10,
D15/23-33; D12/86, 90-92, 106, 163,
D12/164, 169, 171, 196, 216
CPC B60R 19/02; B60R 19/04; B60R 19/18;
B60R 19/24; B60R 19/56; B60R
2019/007; B62D 25/08; B60D 1/00;
B60D 1/01; B60D 1/06; B60D 1/065
See application file for complete search history.

(56) **References Cited**

U.S. PATENT DOCUMENTS

D298,075 S * 10/1988 Tuggle D34/24
D301,792 S * 6/1989 Knauer D34/24
D310,894 S * 9/1990 Smith 280/79.7
D386,129 S * 11/1997 Jantz D12/106
6,461,095 B1 * 10/2002 Puska B66F 9/06
224/401

D479,820 S * 9/2003 Holm D12/162
6,902,182 B1 * 6/2005 Kamunen B60D 1/145
180/908
D535,454 S * 1/2007 Wareham D34/28
7,222,874 B1 * 5/2007 Liu B60T 7/102
188/19
D550,921 S * 9/2007 McMorris D34/23
D866,903 S * 11/2019 Lundin D34/12
D873,720 S * 1/2020 Carter D12/101
D887,662 S * 6/2020 Hickey D34/5
2004/0089036 A1 * 5/2004 Gebow B60R 25/09
70/226
2010/0066046 A1 * 3/2010 Warunek B62D 63/062
280/63
2019/0337546 A1 * 11/2019 Burpee E04H 15/32

* cited by examiner

Primary Examiner — George A Bugg
Assistant Examiner — Tamara L Hahn
(74) *Attorney, Agent, or Firm* — Taft Stettinius &
Hollister LLP; Stephen F. Rost

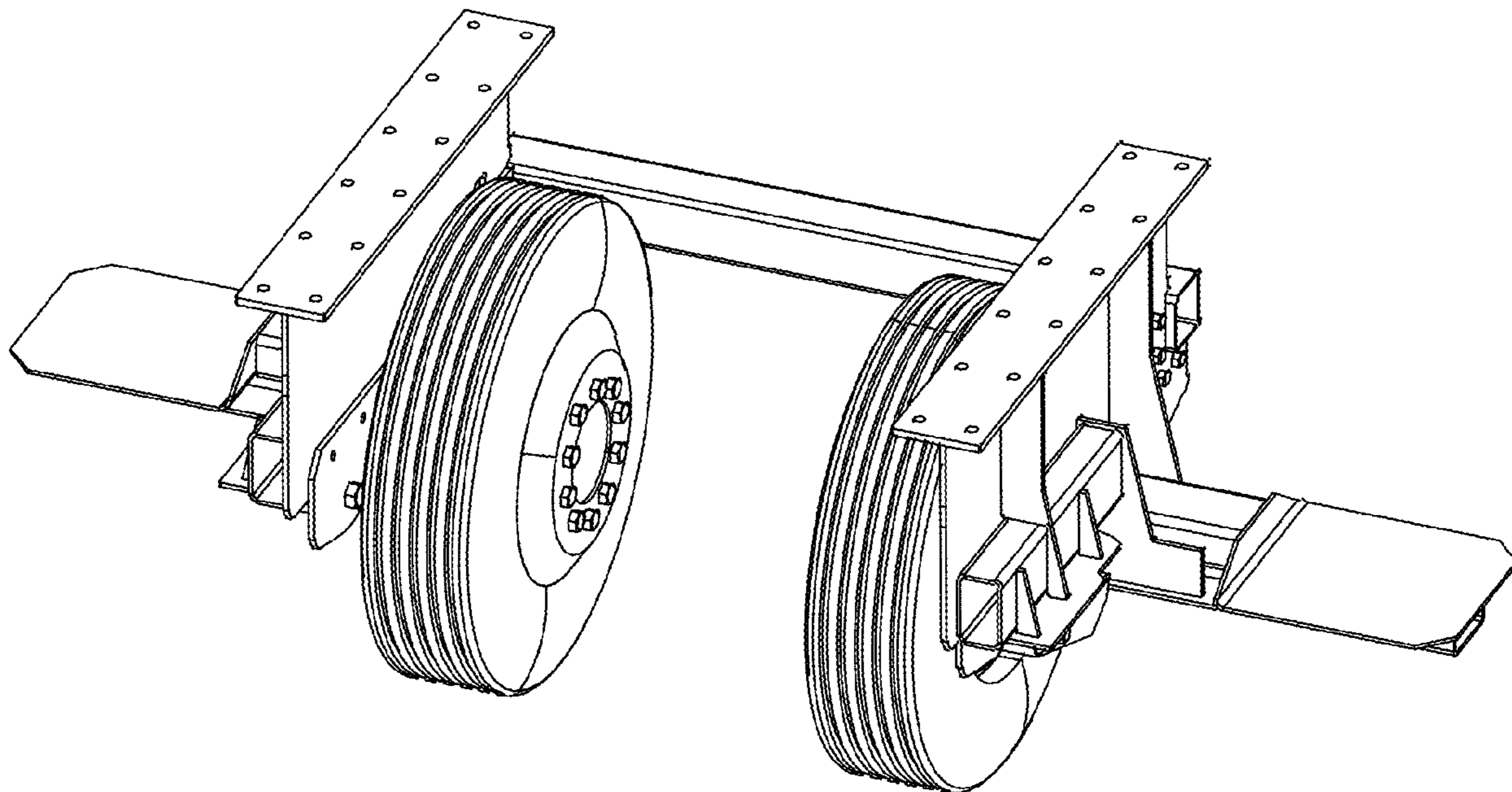
(57) **CLAIM**

The ornamental design for a forklift mount, as shown and described.

DESCRIPTION

FIG. 1 is a perspective view of a forklift mount shown according to the present design;
FIG. 2 is a front end view thereof;
FIG. 3 is a rear end view thereof;
FIG. 4 is a top plan view thereof;
FIG. 5 is a bottom plan view thereof;
FIG. 6 left side elevational view thereof; and,
FIG. 7 is a right side elevational view thereof.

1 Claim, 7 Drawing Sheets



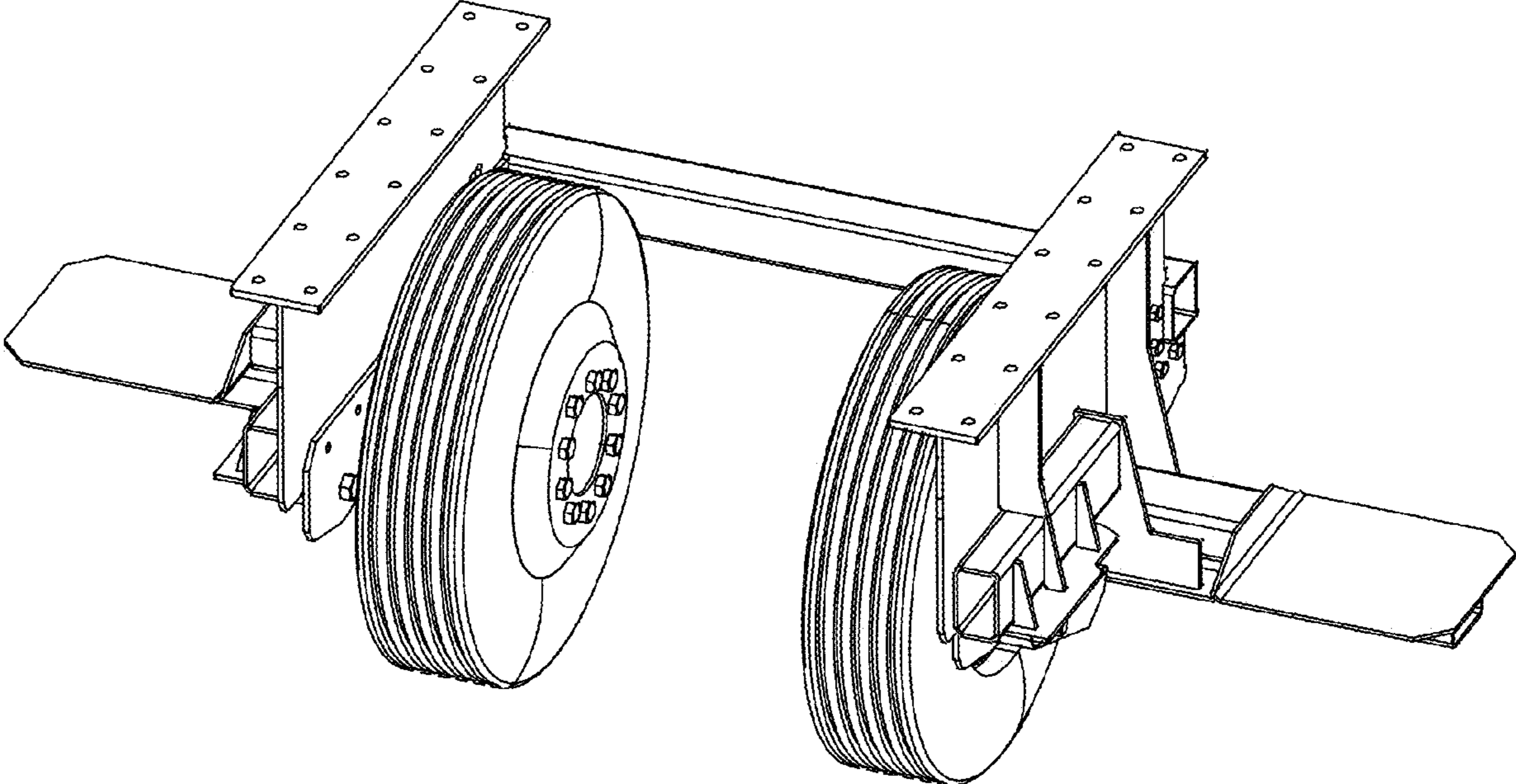


FIG. 1

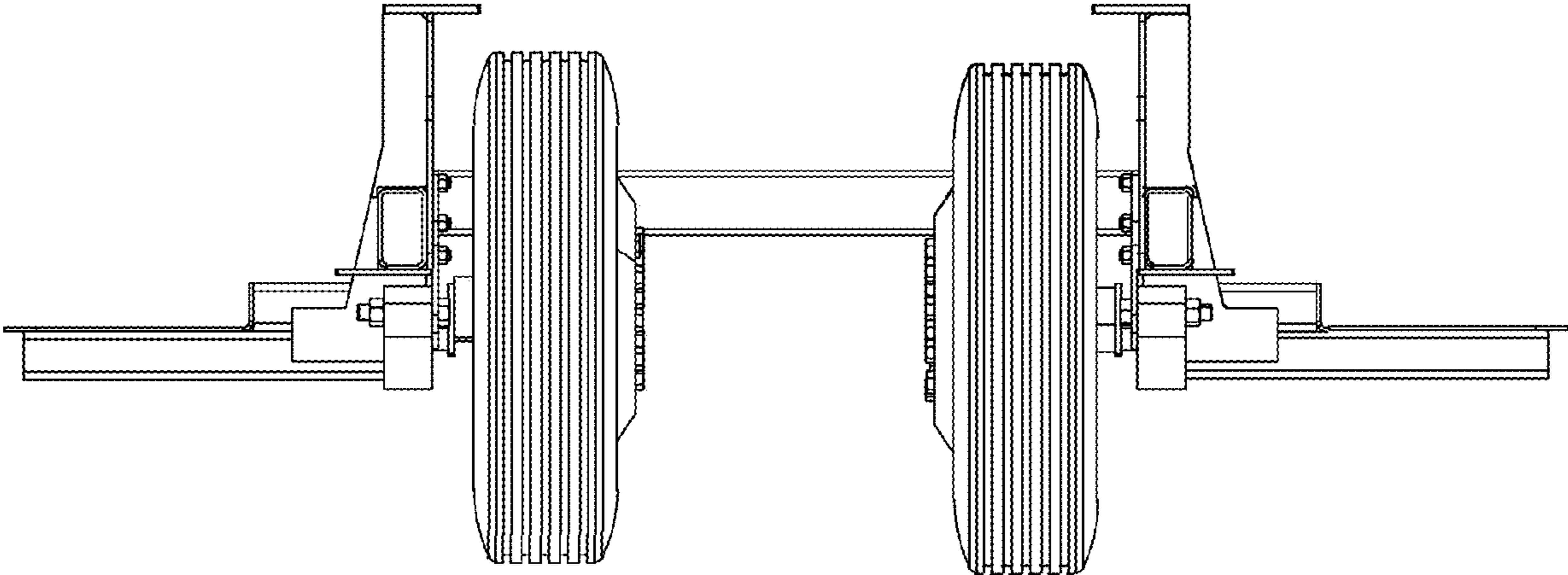


FIG. 2

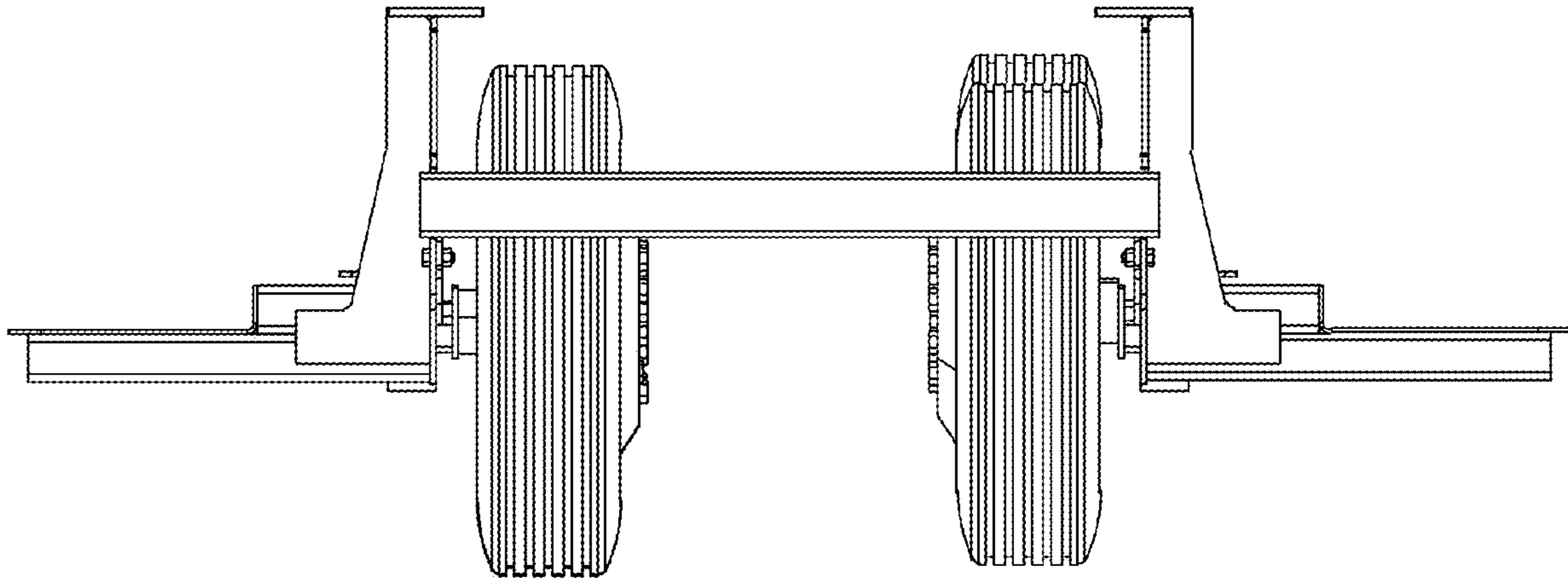


FIG. 3

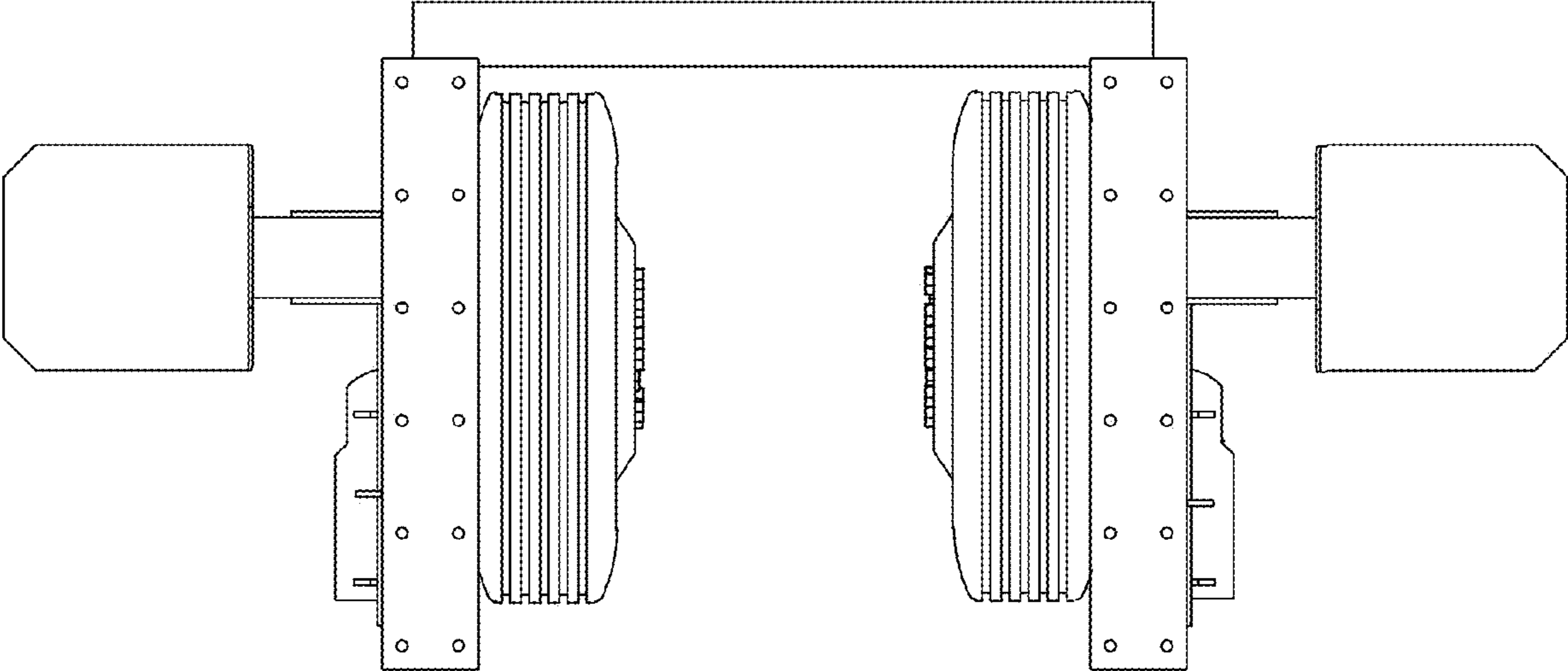


FIG. 4

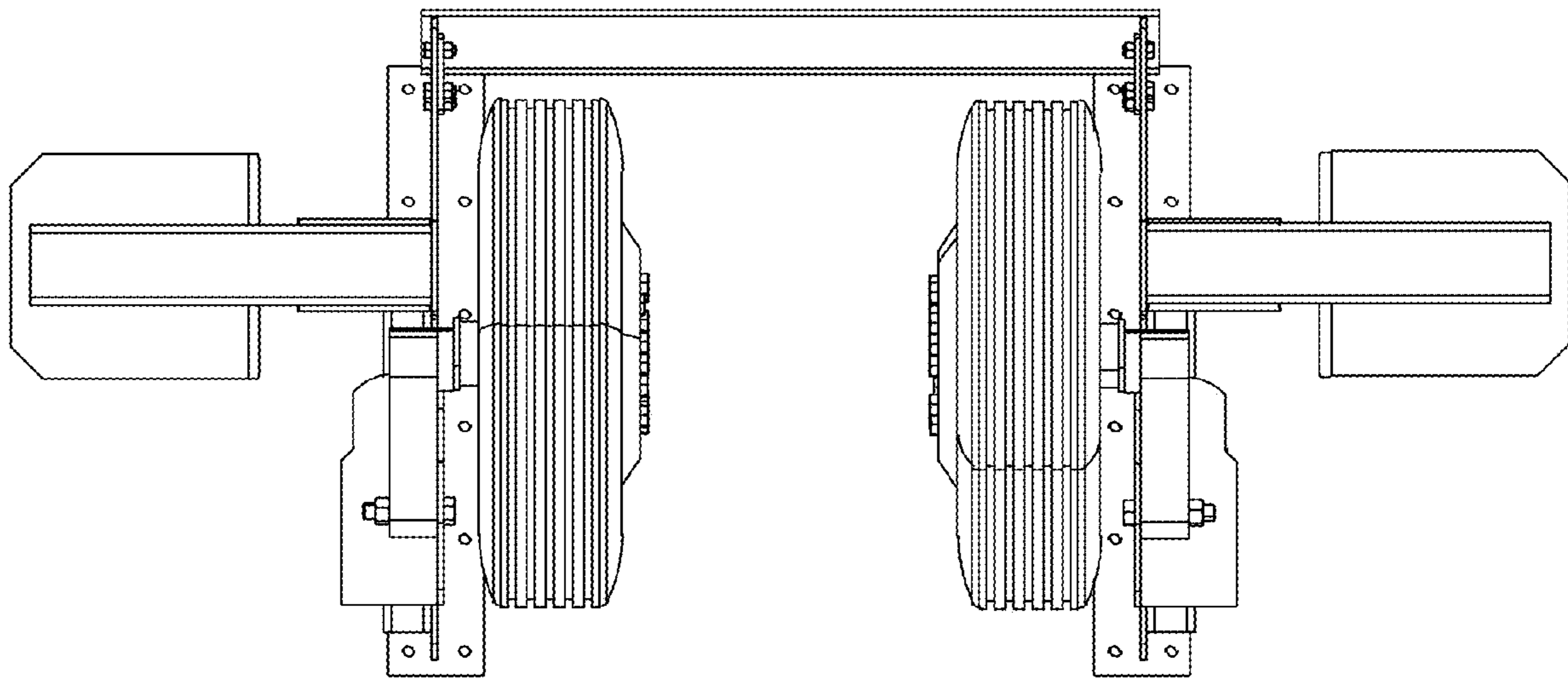


FIG. 5

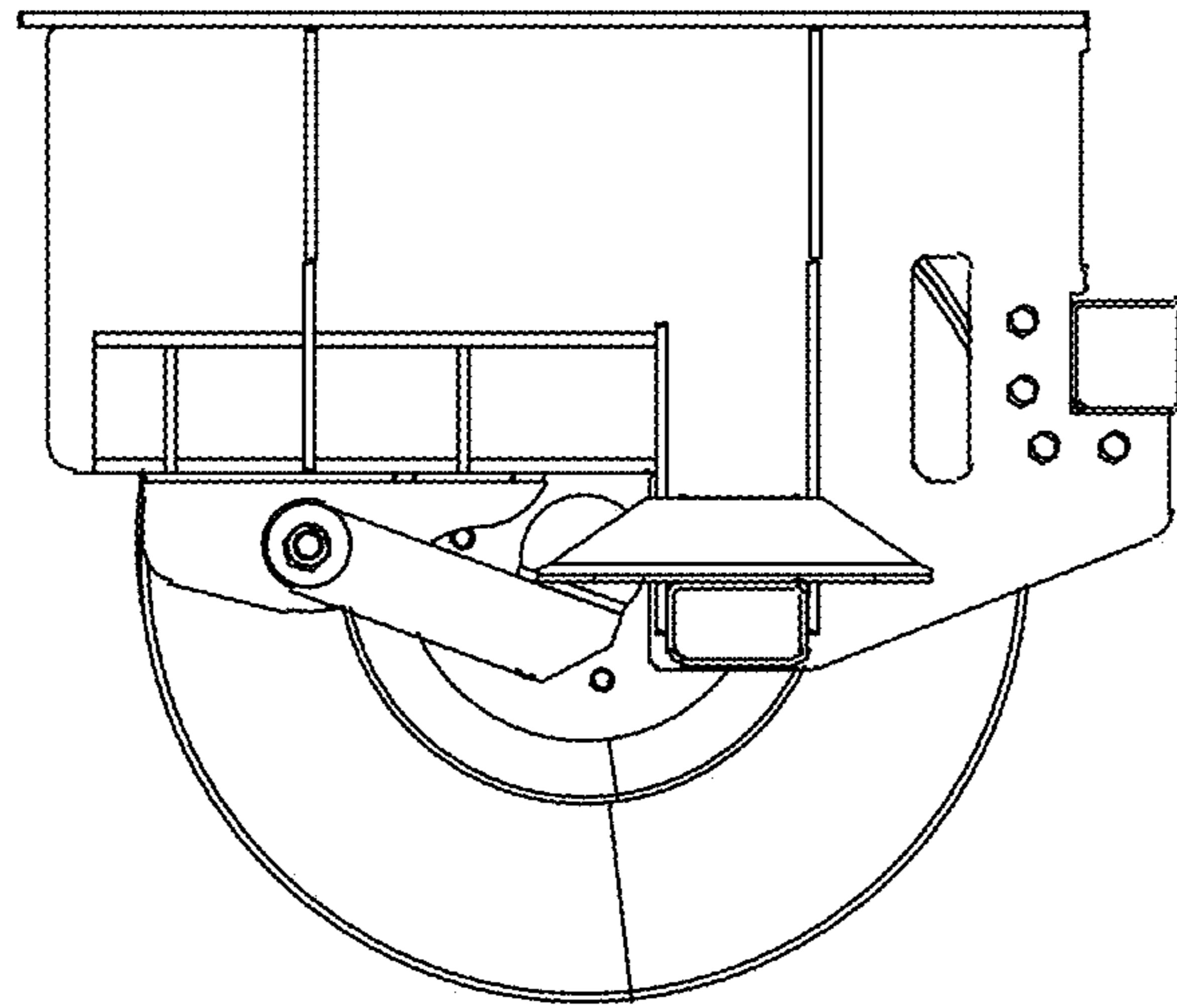


FIG. 6

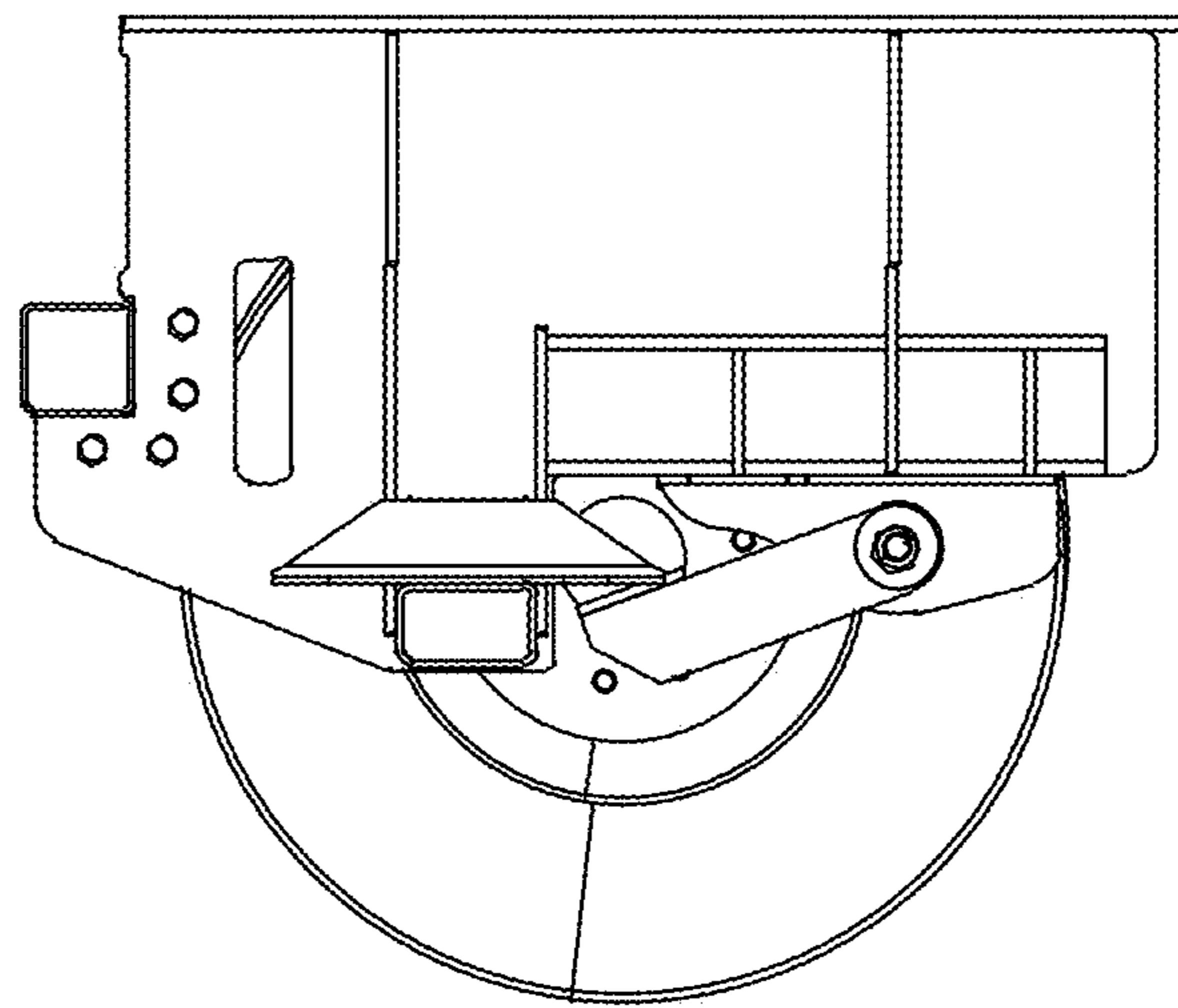


FIG. 7