

US00D912920S

(12) **United States Design Patent** (10) **Patent No.:** **US D912,920 S**
Tao et al. (45) **Date of Patent:** **** Mar. 9, 2021**

(54) **ELECTRIC MOP**

D882,898 S * 4/2020 Kim D32/50
10,791,889 B2 * 10/2020 Conrad A47L 9/122
2004/0031506 A1 * 2/2004 Tsai A47L 11/4086
134/105

(71) Applicant: **Shenzhen FCY Technologies Co., Ltd.**, Shenzhen (CN)

(Continued)

(72) Inventors: **Zhiming Tao**, Shenzhen (CN); **Zhenyu Wu**, Shenzhen (CN); **Ning Lv**, Shenzhen (CN)

FOREIGN PATENT DOCUMENTS

CN 305600535 * 2/2020
CN 305725782 * 4/2020

(73) Assignee: **SHENZHEN FCY TECHNOLOGIES CO., LTD.**, Shenzhen (CN)

OTHER PUBLICATIONS

(**) Term: **15 Years**

China Three Round Head Magic Spray Flat Swivel mop, Yaxiang MDPX website. <https://m.mop-x.com/three-round-head-magic-spray-flat-swivel-mop.html>, site visited Oct. 22, 2020.*

(21) Appl. No.: **29/714,539**

Primary Examiner — John R Yeh

(22) Filed: **Nov. 24, 2019**

(51) **LOC (13) Cl.** **15-05**

(57) **CLAIM**

(52) **U.S. Cl.**
USPC **D32/50; D32/15**

The ornamental design for an electric mop, as shown and described.

(58) **Field of Classification Search**
USPC D32/15, 17, 22, 24, 40, 45, 50–52
CPC . B08B 3/00; A47L 11/34; A47L 13/12; A47L 13/22; A47L 11/30
See application file for complete search history.

DESCRIPTION

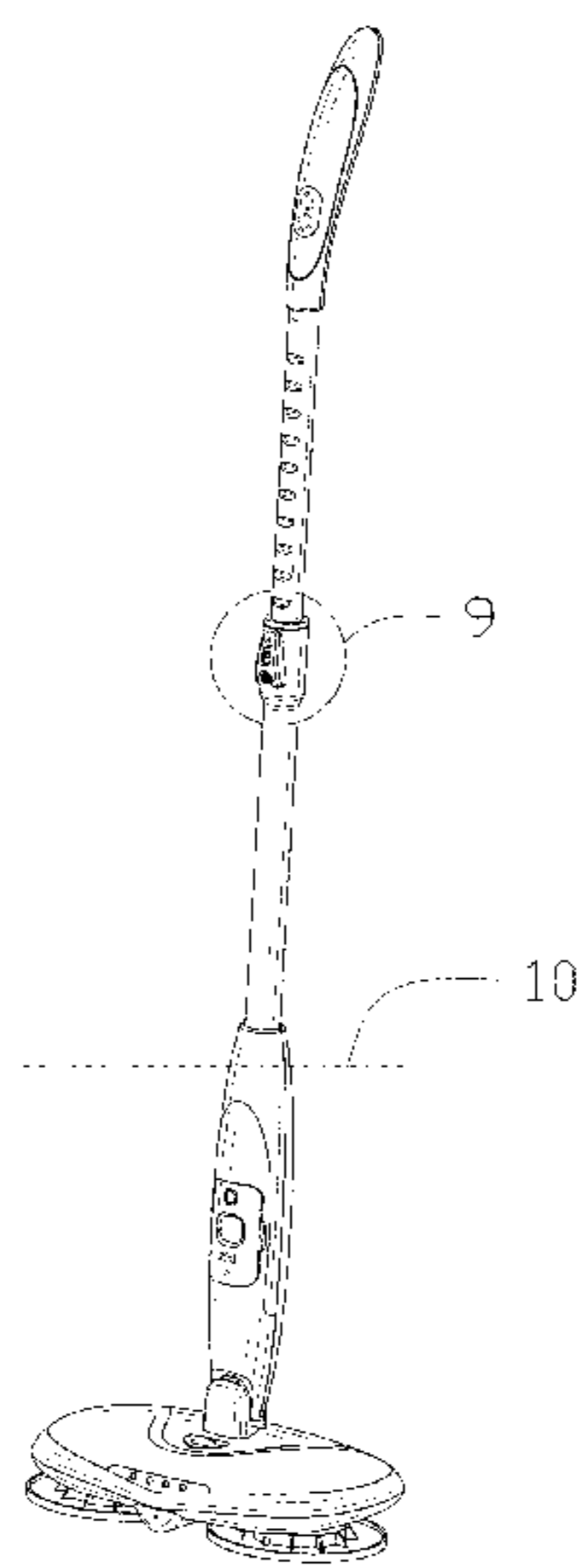
(56) **References Cited**

U.S. PATENT DOCUMENTS

6,895,626 B2 * 5/2005 Tsai A47L 11/34
15/50.1
D530,462 S * 10/2006 Davis D32/15
D544,668 S * 6/2007 Harper D32/51
D570,061 S * 5/2008 Busse D32/19
D795,518 S * 8/2017 Chung D32/45
D806,971 S * 1/2018 Woo D32/45
10,085,610 B2 * 10/2018 Perry A47L 11/4091
D838,420 S * 1/2019 Khubani D32/38
D855,271 S * 7/2019 Liang D32/50
D858,016 S * 8/2019 Casini D32/15
D862,011 S * 10/2019 Kim D32/22
D864,512 S * 10/2019 Wu D32/50
D866,898 S * 11/2019 Tao D32/50

FIG. 1 is a front, top perspective view of an electric mop showing my new design;
FIG. 2 is a rear, bottom perspective view thereof;
FIG. 3 is a front elevational view thereof;
FIG. 4 is a rear elevational view thereof;
FIG. 5 is a left side elevational view thereof;
FIG. 6 is a right side elevational view thereof;
FIG. 7 is a top plan view thereof;
FIG. 8 is a bottom plan view thereof;
FIG. 9 is an enlarged view of the indicated portion 9 shown in FIG. 1; and,
FIG. 10 is an enlarged view of the indicated portion 10 shown in FIG. 1.
The broken lines in the drawings depict portions of the electric mop that form no part of the claimed design. The dot-dash lines indicate enlargements and form no part of the claimed design.

1 Claim, 10 Drawing Sheets



(56)

References Cited

U.S. PATENT DOCUMENTS

2005/0251941 A1* 11/2005 Berhoff B25G 3/18
15/145
2011/0020051 A1* 1/2011 Robertson A47L 13/254
401/268
2015/0107045 A1* 4/2015 Johnson A47L 13/22
15/320
2018/0235425 A1* 8/2018 Ding A47L 11/161
2019/0328201 A1* 10/2019 Shin A47L 11/4083

* cited by examiner

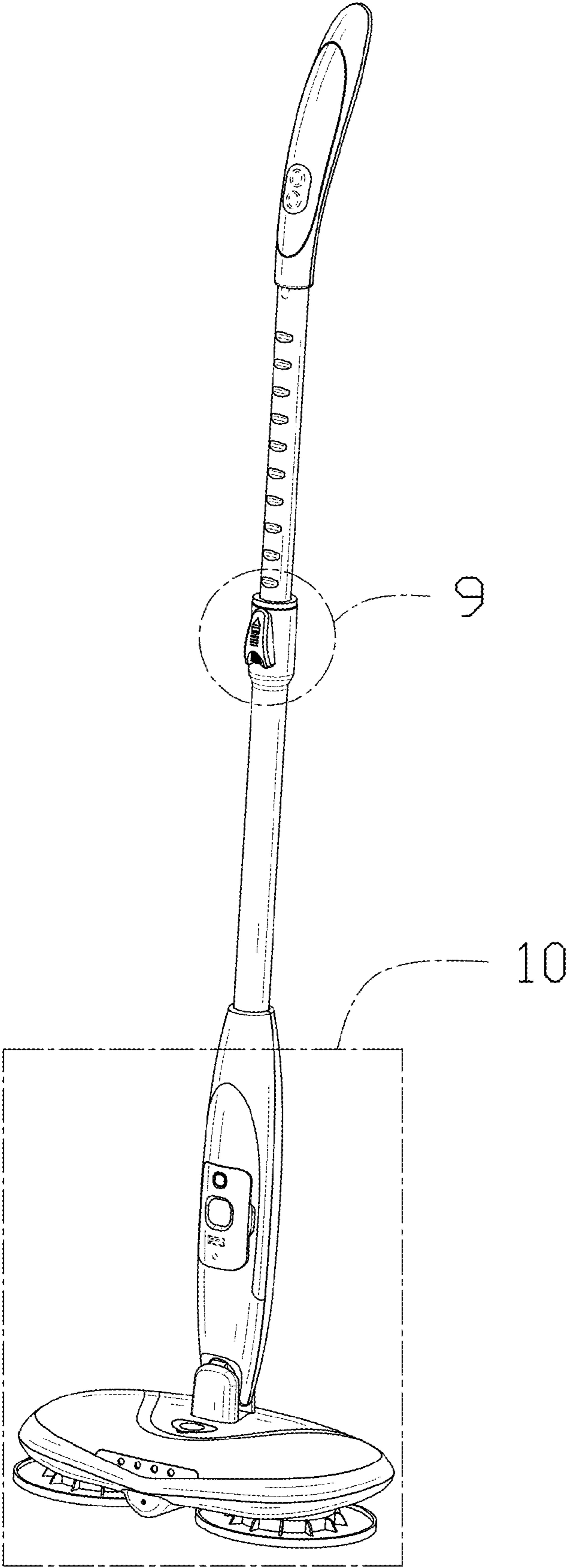


FIG. 1

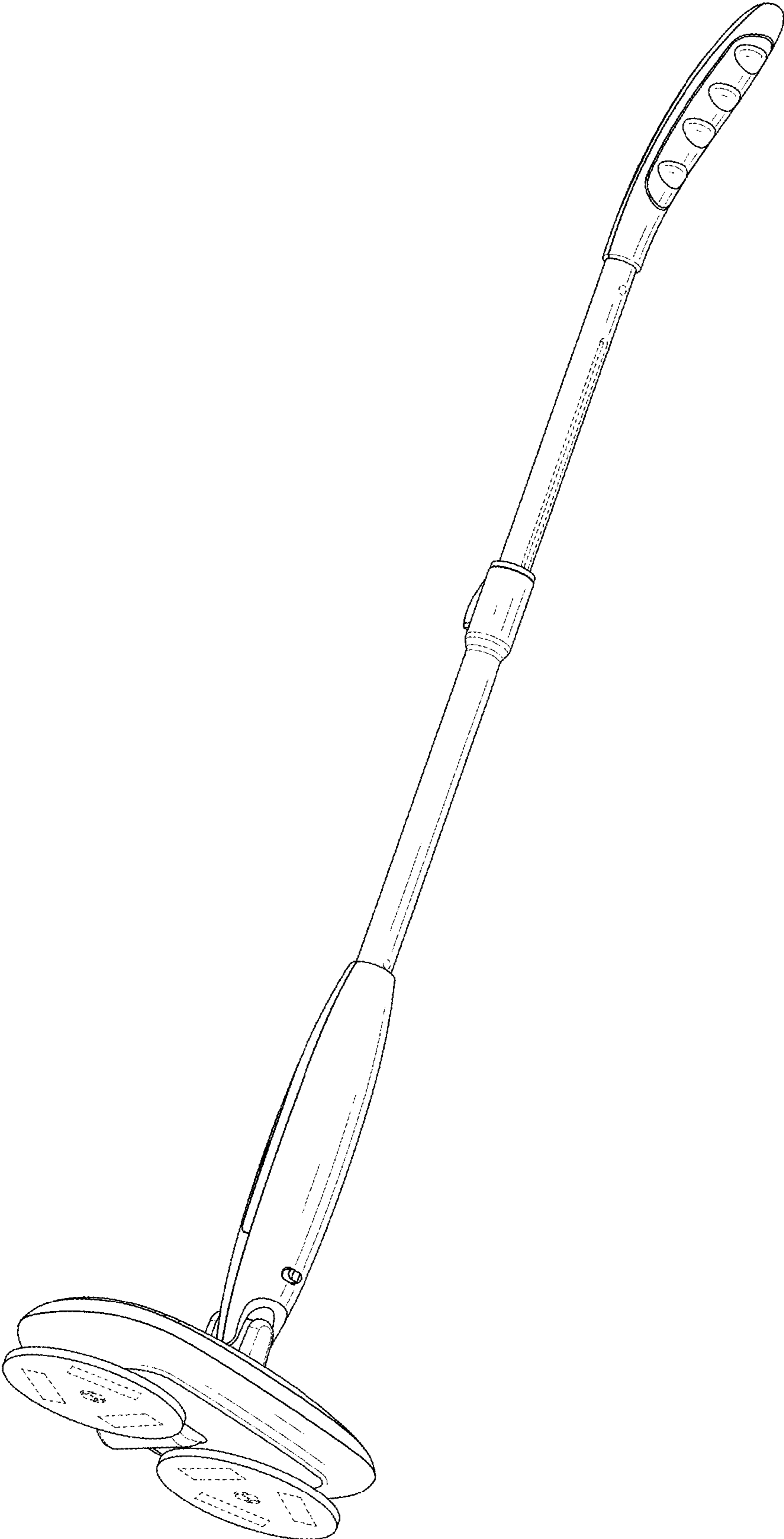


FIG. 2

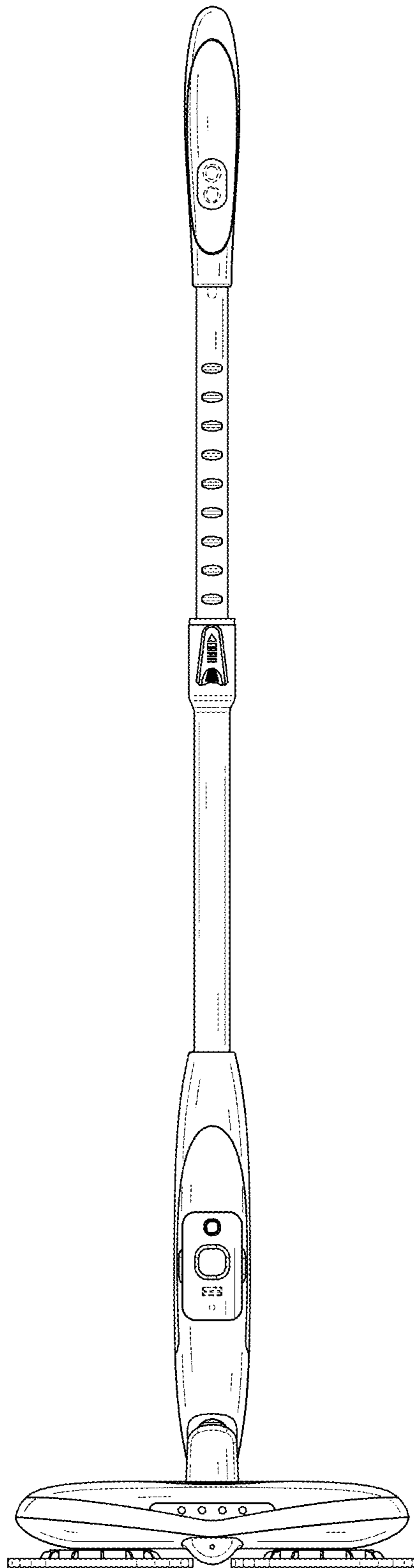


FIG. 3

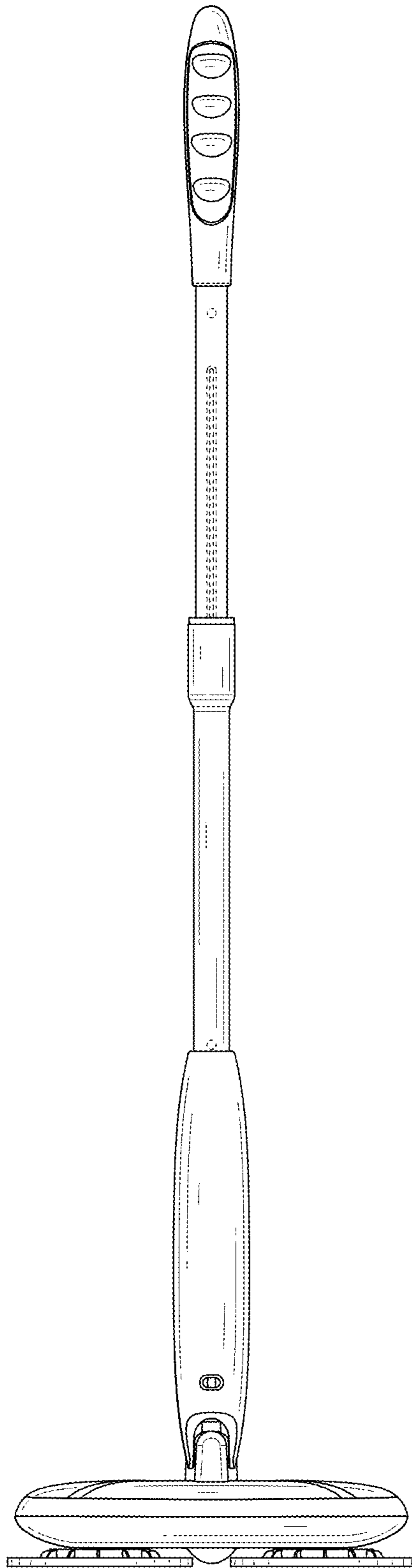


FIG. 4

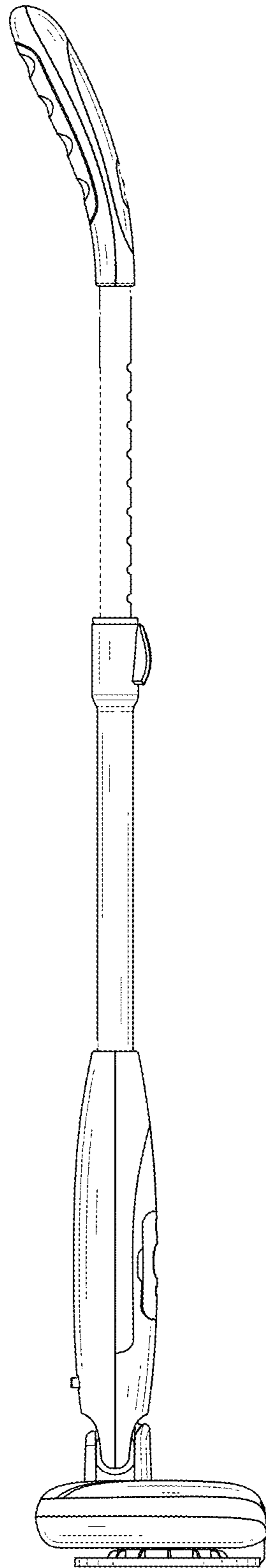


FIG. 5

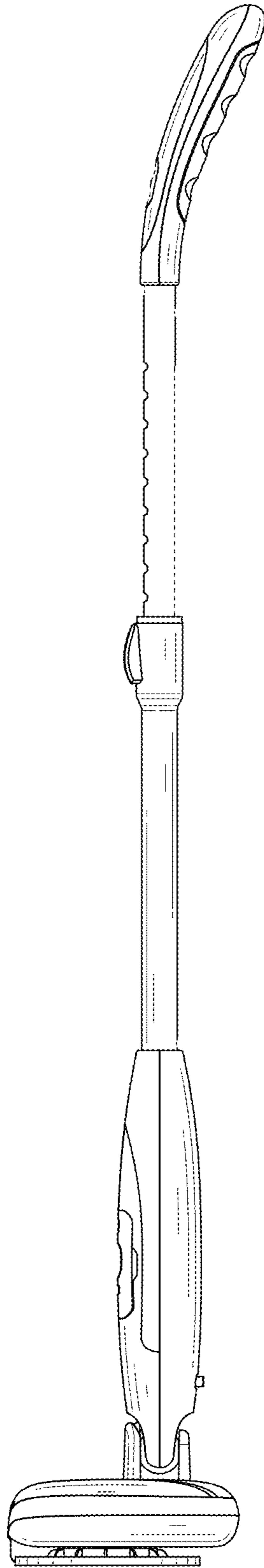


FIG. 6

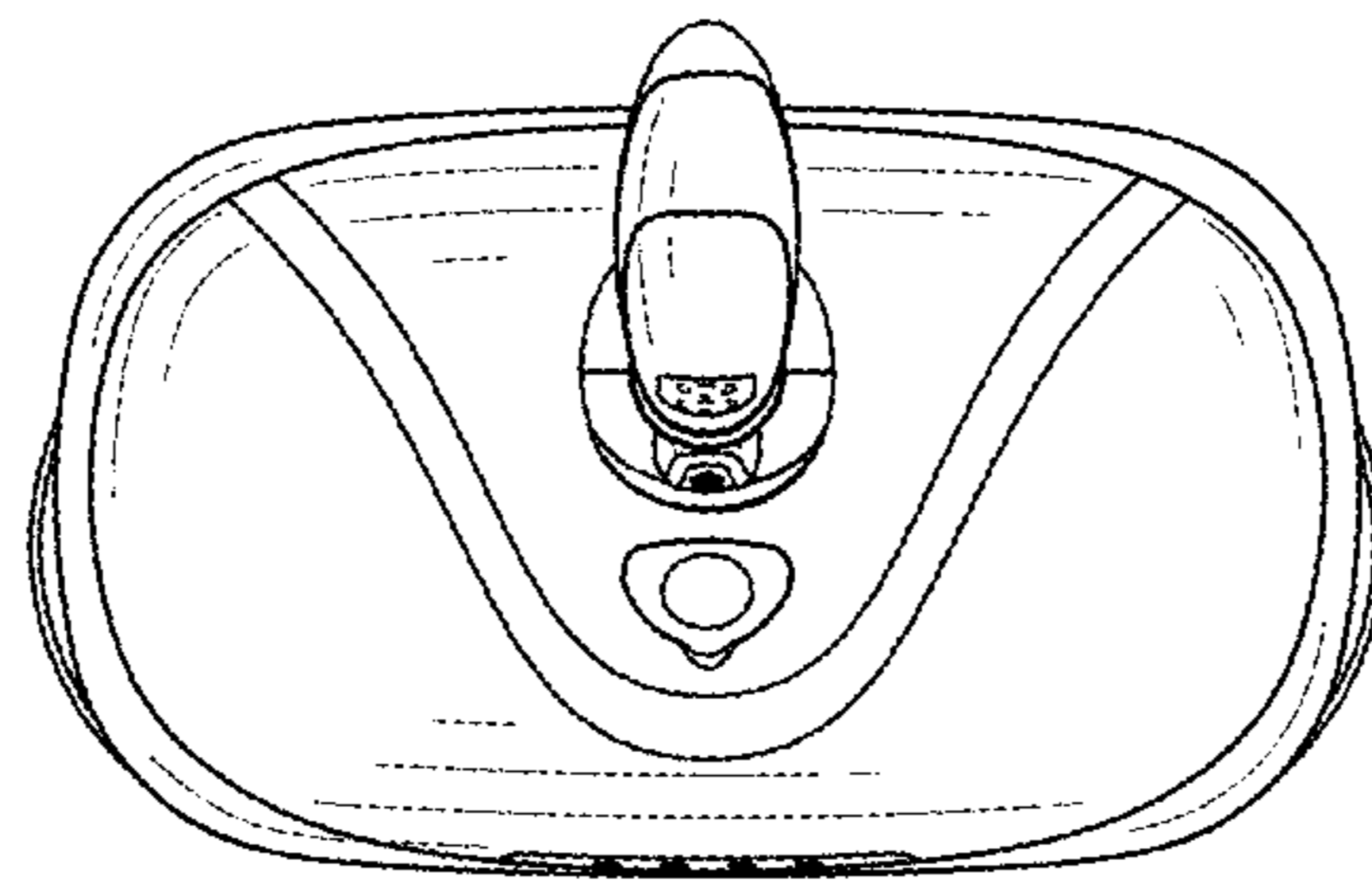


FIG. 7

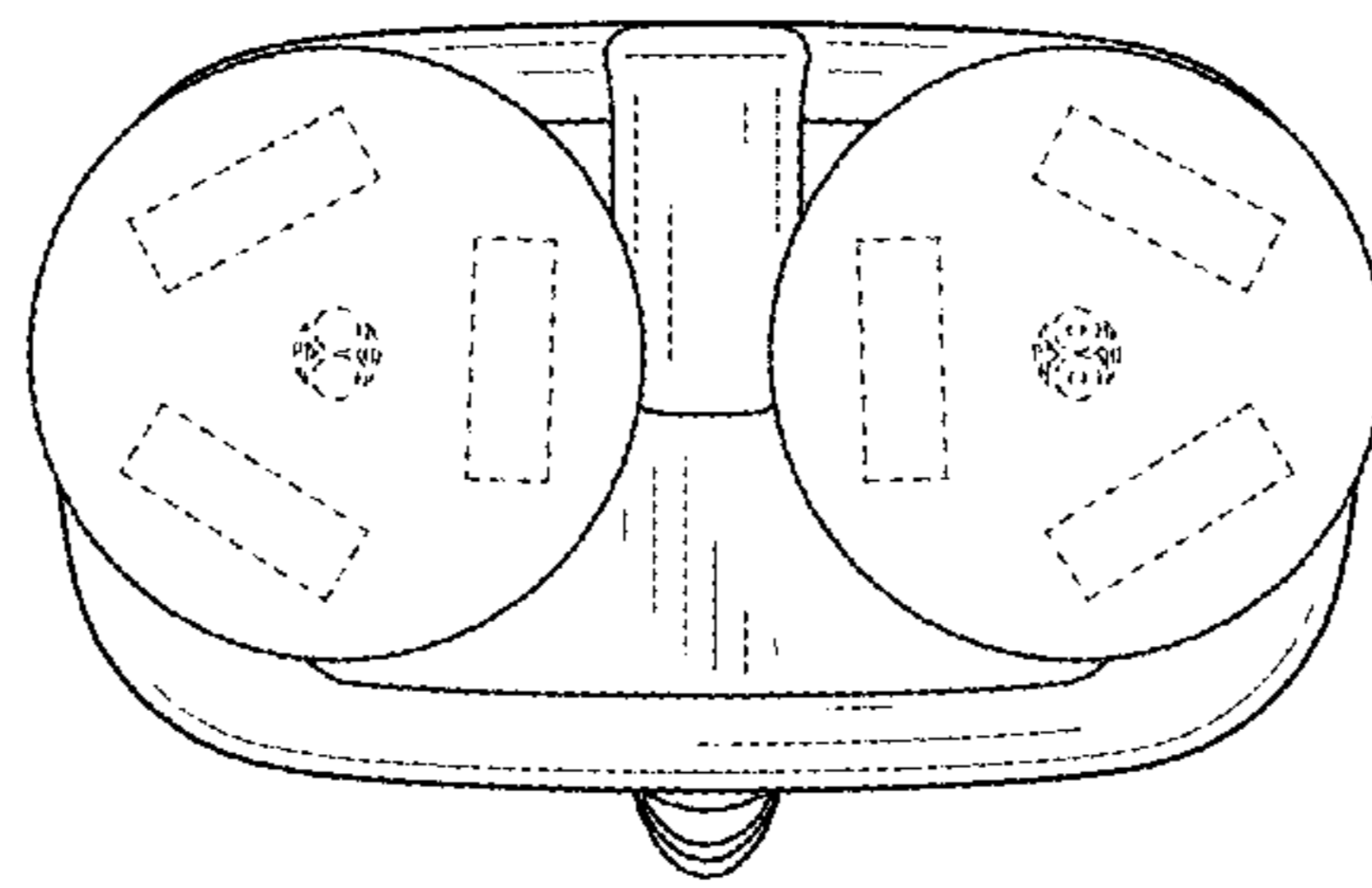


FIG. 8

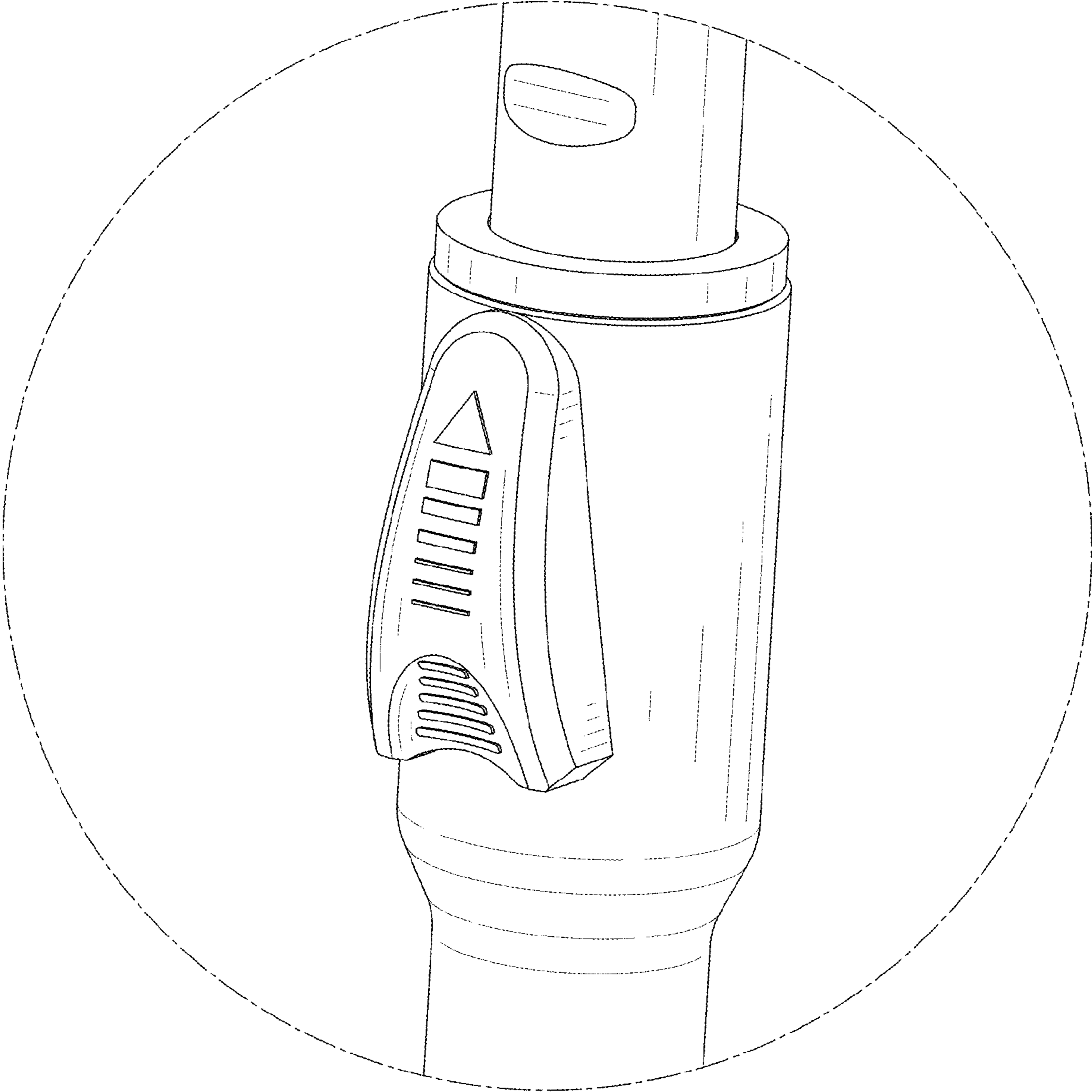


FIG. 9

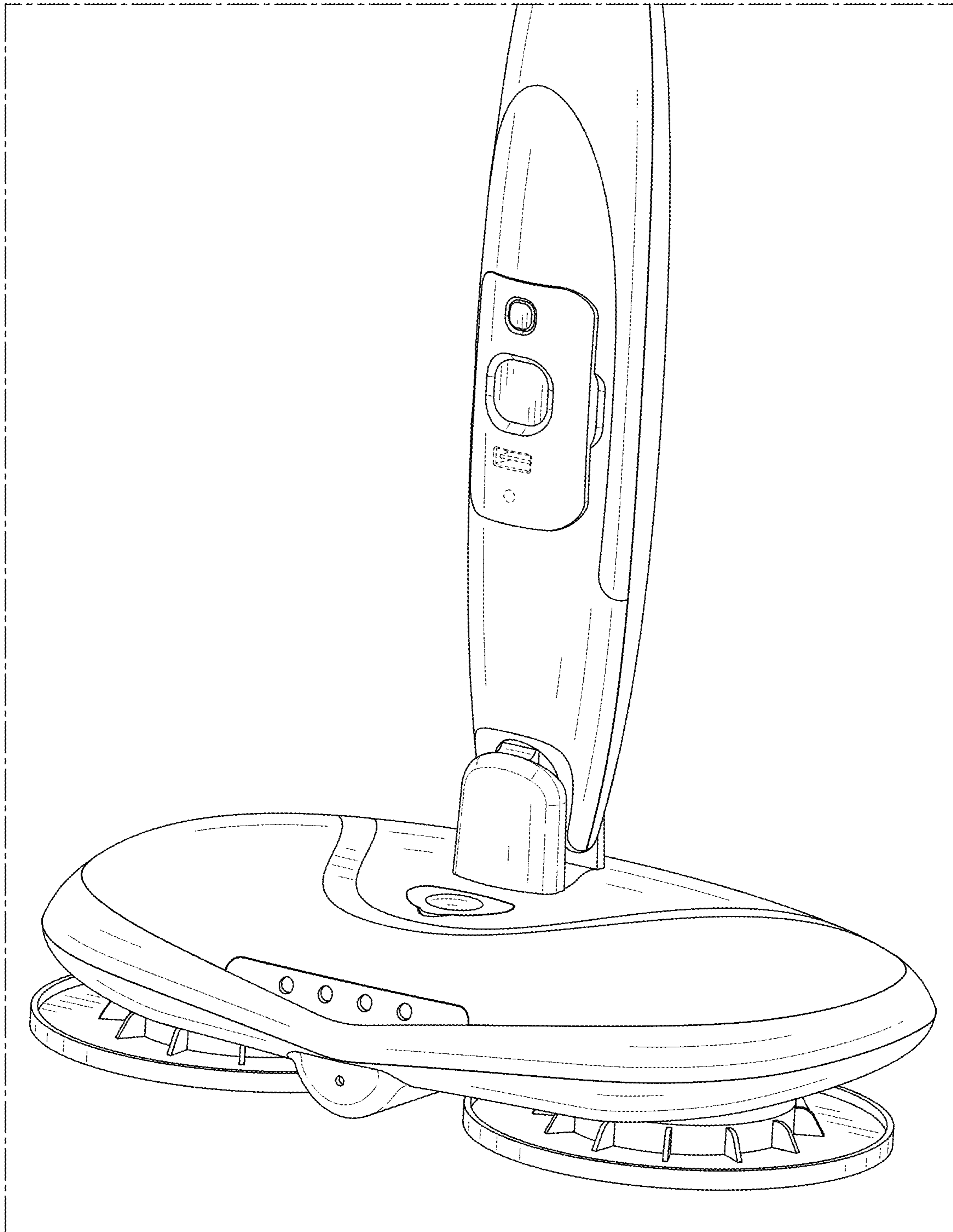


FIG. 10