



US00D912919S

(12) **United States Design Patent** (10) **Patent No.:** **US D912,919 S**  
**Tinius** (45) **Date of Patent:** **\*\* Mar. 9, 2021**

(54) **WASH BRUSH**  
(71) Applicant: **Andreas Stihl AG & Co. KG**,  
Waiblingen (DE)  
(72) Inventor: **Michael Tinius**, Ulm (DE)  
(73) Assignee: **Andreas Stihl AG & Co. KG**,  
Waiblingen (DE)

D394,352 S \* 5/1998 Berti ..... D4/132  
D395,169 S \* 6/1998 Yang ..... D4/132  
D533,324 S \* 12/2006 Hay ..... D32/42  
7,260,864 B1 \* 8/2007 Morad ..... A47L 13/12  
15/115  
D575,526 S \* 8/2008 Libman ..... D4/118  
D584,022 S \* 12/2008 Sampaio ..... D32/50  
D597,719 S \* 8/2009 McNeil ..... D32/51  
D598,202 S \* 8/2009 McNeil ..... D4/132  
D833,152 S \* 11/2018 Tschopp ..... D4/118  
D871,006 S \* 12/2019 Schechter ..... D32/50

(\*\*) Term: **15 Years**

**FOREIGN PATENT DOCUMENTS**

(21) Appl. No.: **29/690,048**

WO WO D011052-002 \* 2/1988

(22) Filed: **May 3, 2019**

**OTHER PUBLICATIONS**

(30) **Foreign Application Priority Data**

Nov. 8, 2018 (EM) ..... 005820800

Noghair Truck Wash Brush, reviews 2018, site visited Apr. 23, 2020, [https://store.detailking.com/...AkEiwALFkj5uiNmrGgzDbxWeuS7INWRr2mv8Mz9QsGnIeJSRCCW7weKKf0MJHAnhoCe04QAvD\\_Bw.\\*](https://store.detailking.com/...AkEiwALFkj5uiNmrGgzDbxWeuS7INWRr2mv8Mz9QsGnIeJSRCCW7weKKf0MJHAnhoCe04QAvD_Bw.*)

(51) **LOC (13) Cl.** ..... **07-05**

(52) **U.S. Cl.**  
USPC ..... **D32/50**

\* cited by examiner

(58) **Field of Classification Search**  
USPC ..... D32/40-43, 45-46, 48-52; D4/100, 119,  
D4/132, 135

*Primary Examiner* — John R Yeh  
(74) *Attorney, Agent, or Firm* — McGuireWoods LLP

CPC ..... A47L 4/00; A47L 13/10  
See application file for complete search history.

(57) **CLAIM**

(56) **References Cited**

I claim the ornamental design for a wash brush, as shown and described.

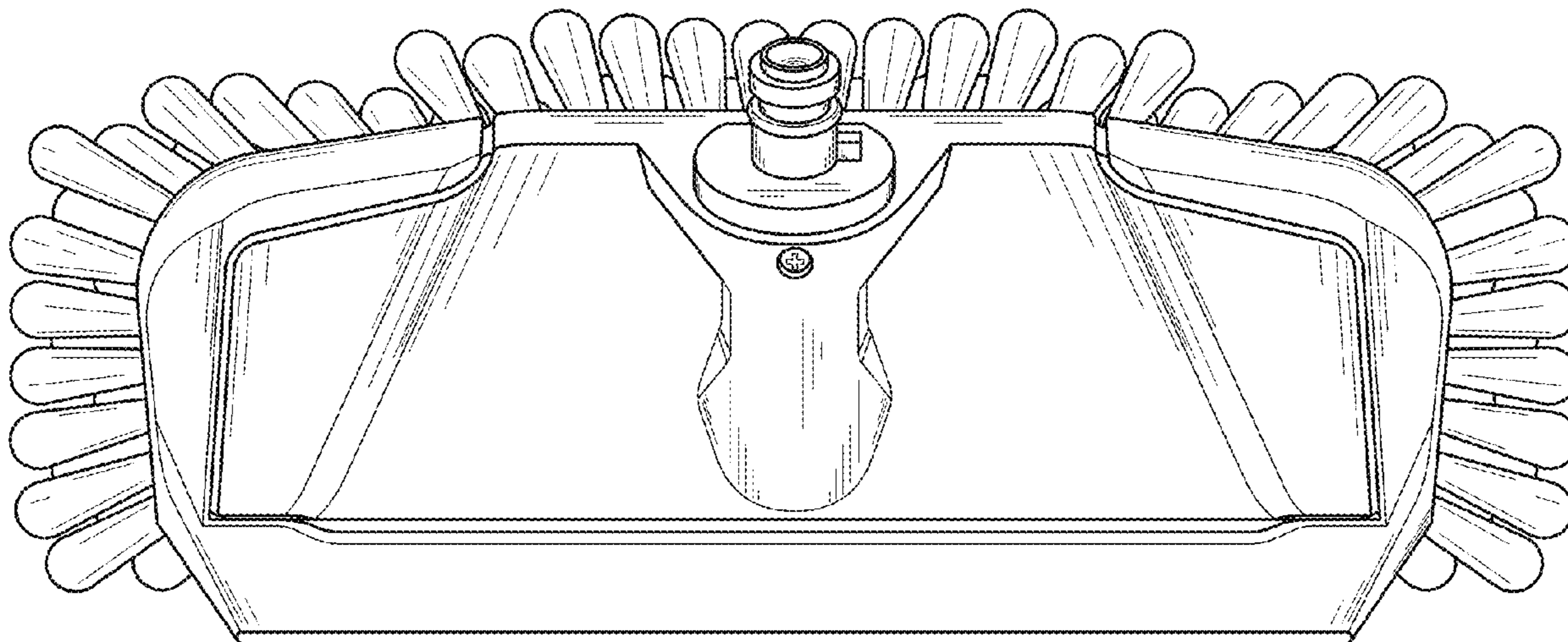
**U.S. PATENT DOCUMENTS**

**DESCRIPTION**

1,462,829 A \* 7/1923 Roberts ..... A46B 17/08  
15/111  
1,598,549 A \* 8/1926 Berlow ..... A47L 13/24  
15/147.2  
D100,724 S \* 8/1936 Strassheim ..... D4/132  
D149,134 S \* 3/1948 Le Febvre ..... D4/132  
D270,971 S \* 10/1983 Stevens ..... D4/132  
D278,099 S \* 3/1985 Evans ..... D32/41  
D289,338 S \* 4/1987 Sartori ..... D32/50  
D307,517 S \* 5/1990 Mallory ..... D32/41  
5,123,138 A \* 6/1992 Flamm ..... A47L 13/12  
15/111  
D378,959 S \* 4/1997 Gringer ..... D4/132

FIG. 1 is a top plan view of the wash brush showing my new design;  
FIG. 2 is a rear elevation view thereof;  
FIG. 3 is a left front perspective view thereof;  
FIG. 4 is a left rear perspective view thereof;  
FIG. 5 is a right side elevation view thereof;  
FIG. 6 is a left side elevation view thereof;  
FIG. 7 is a bottom plan view thereof; and,  
FIG. 8 is front elevation view thereof.

**1 Claim, 8 Drawing Sheets**



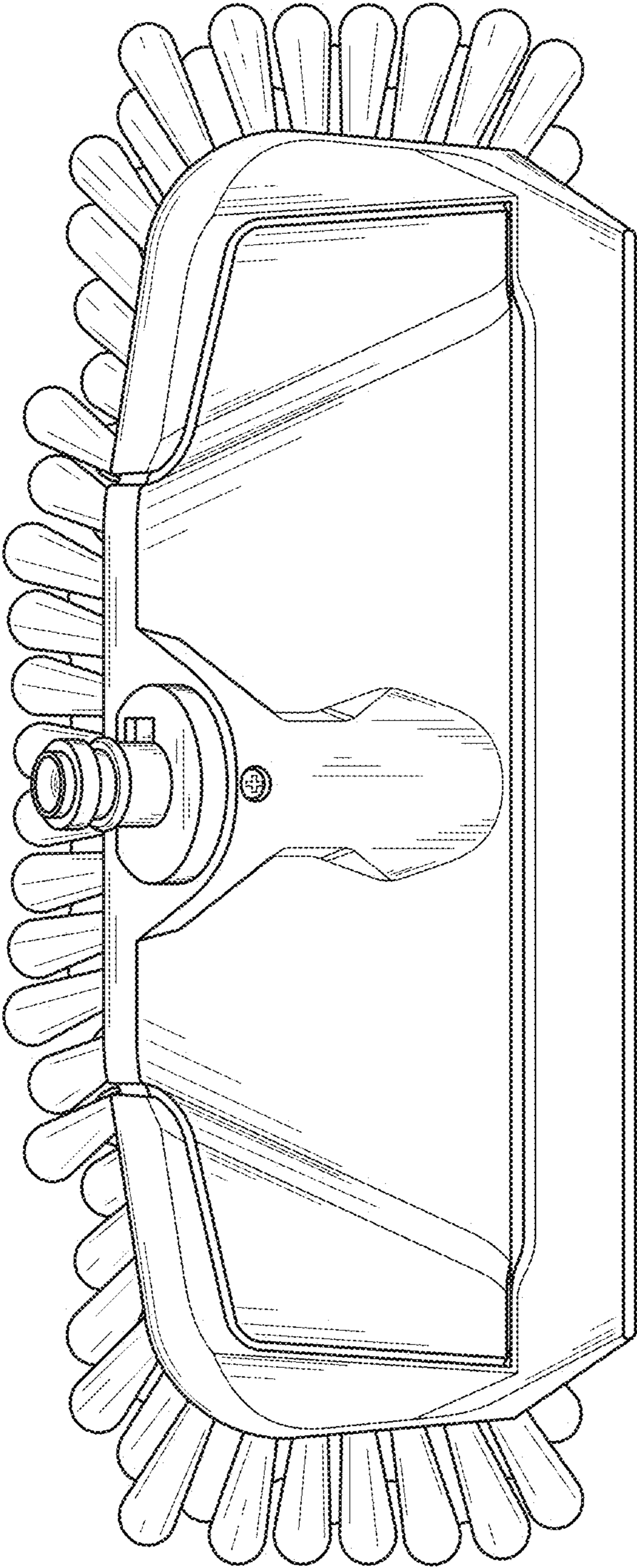


FIG. 1

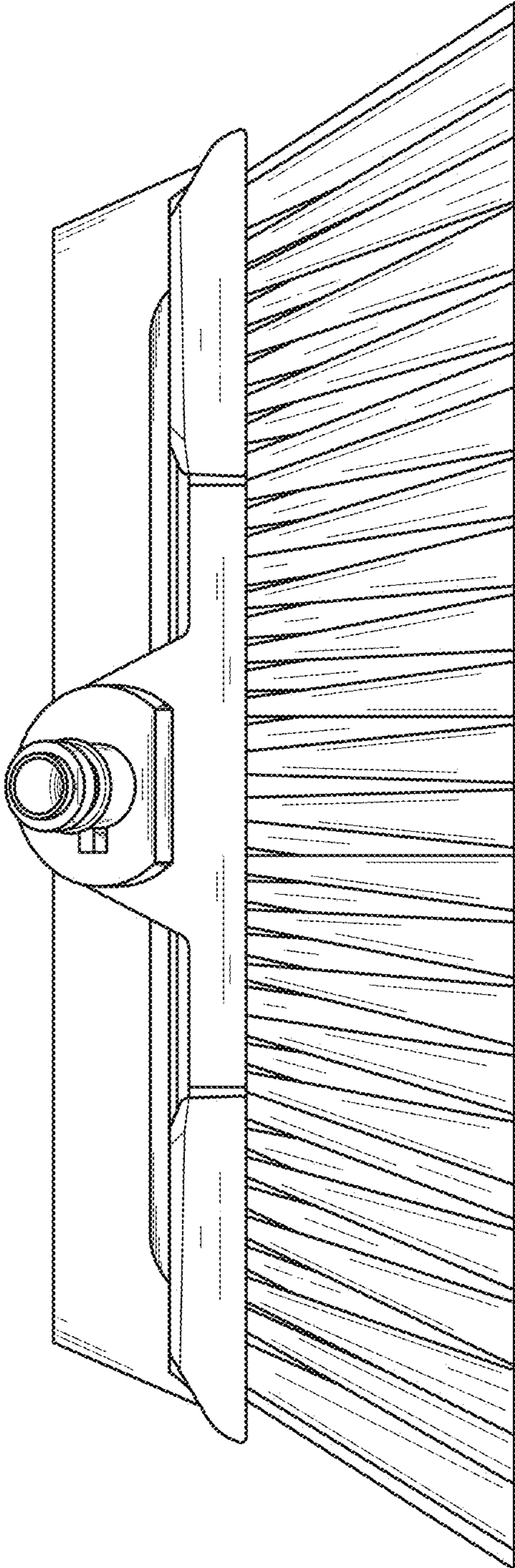


FIG. 2

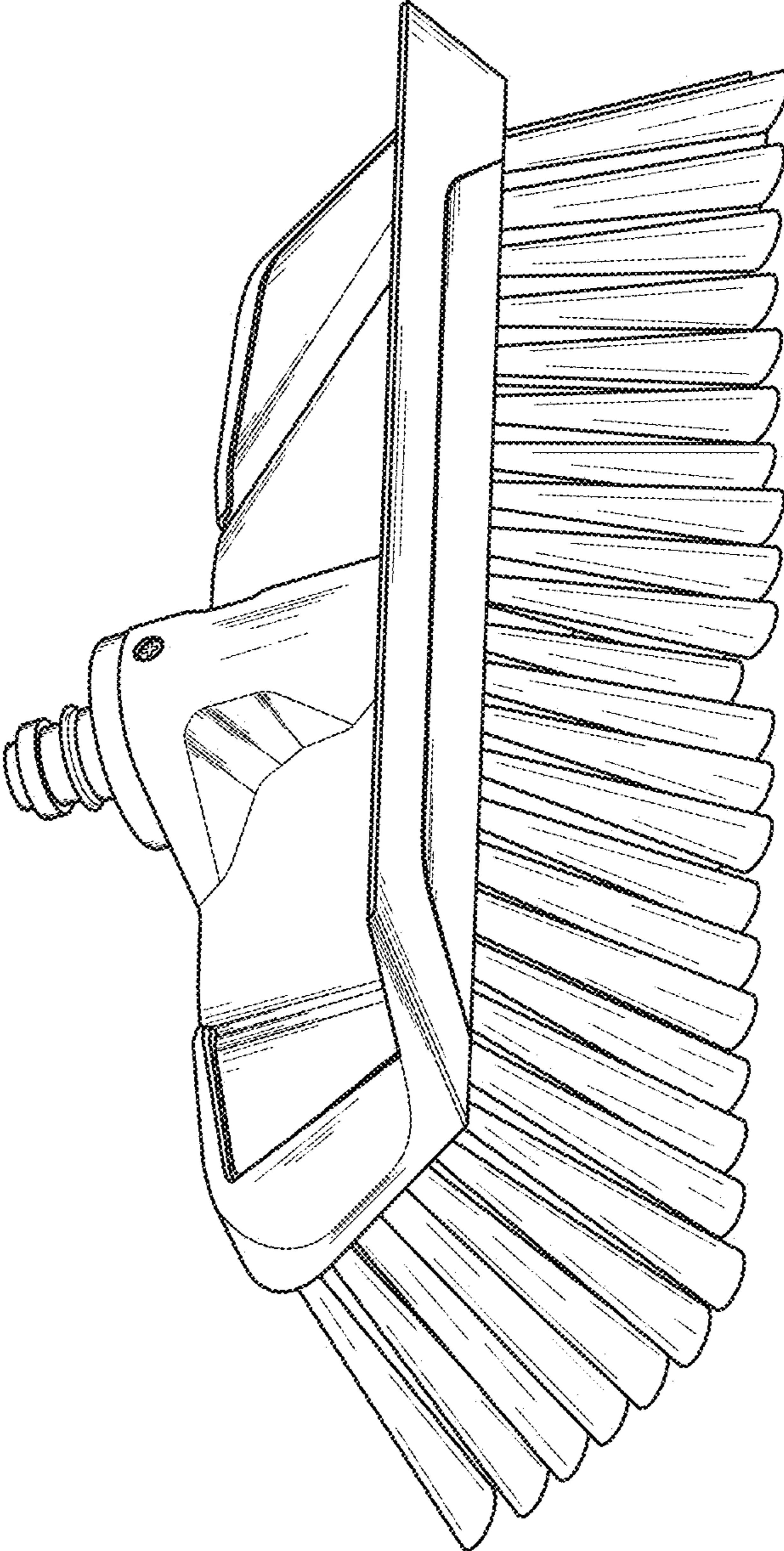


FIG. 3

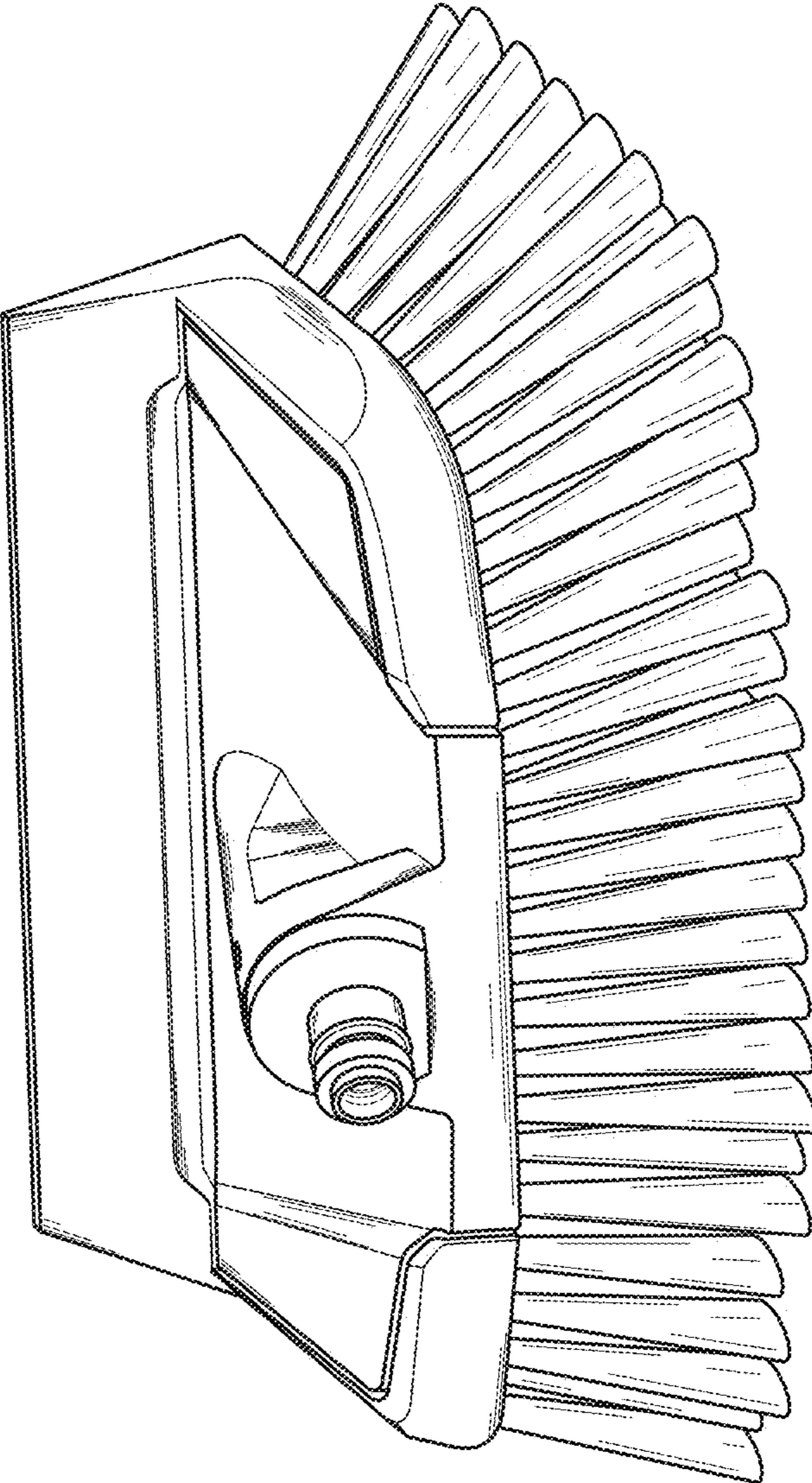


FIG. 4

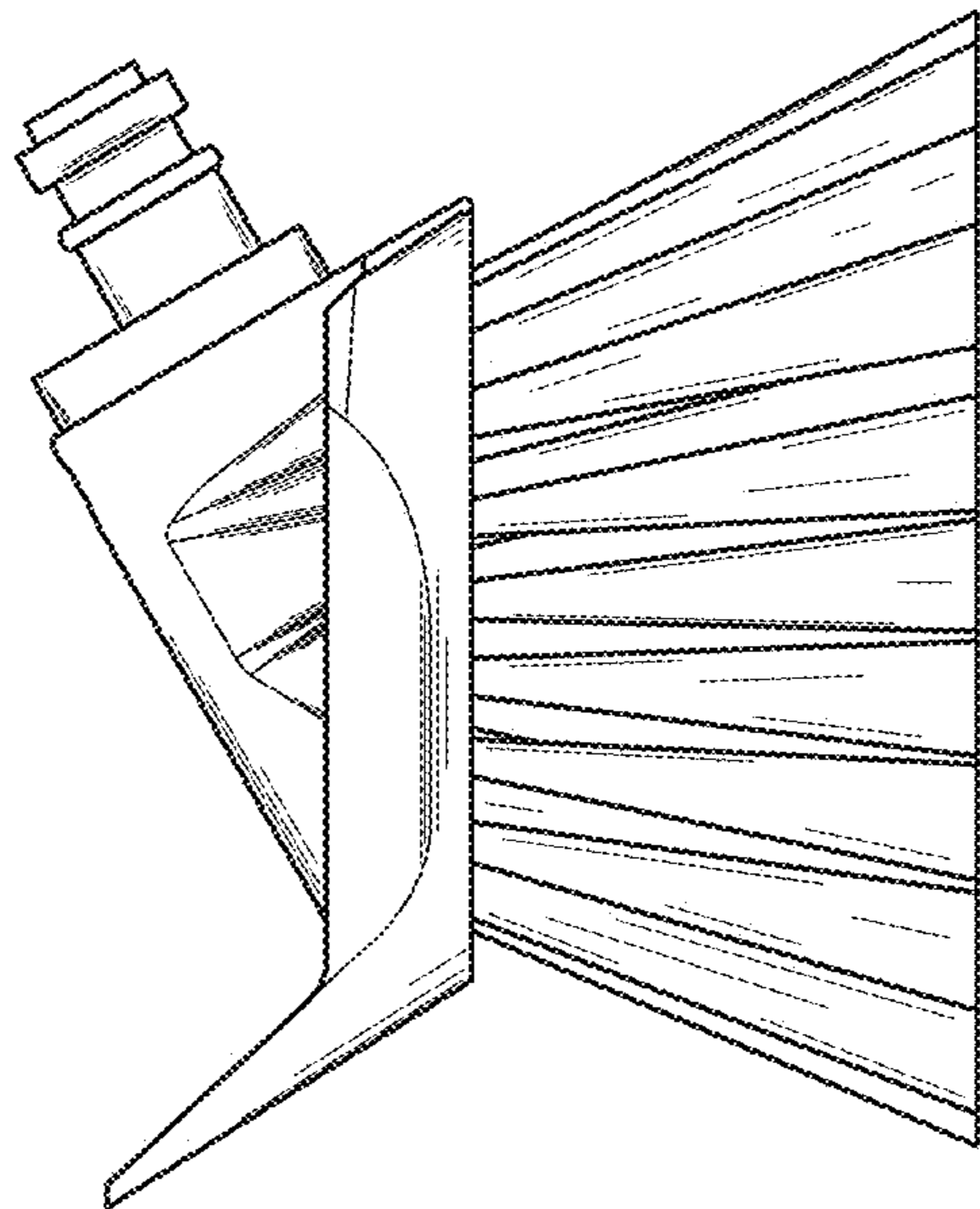


FIG. 5

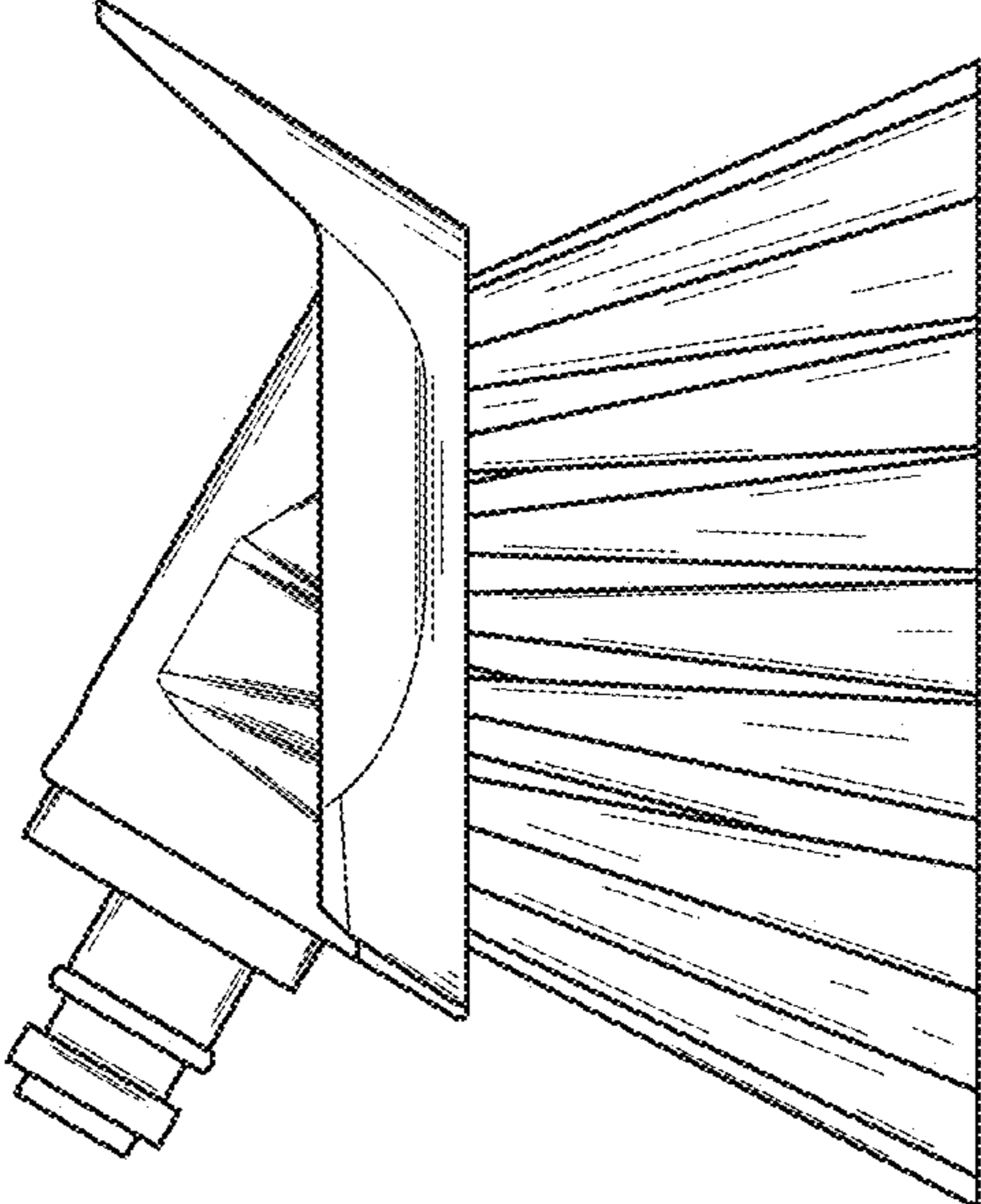


FIG. 6

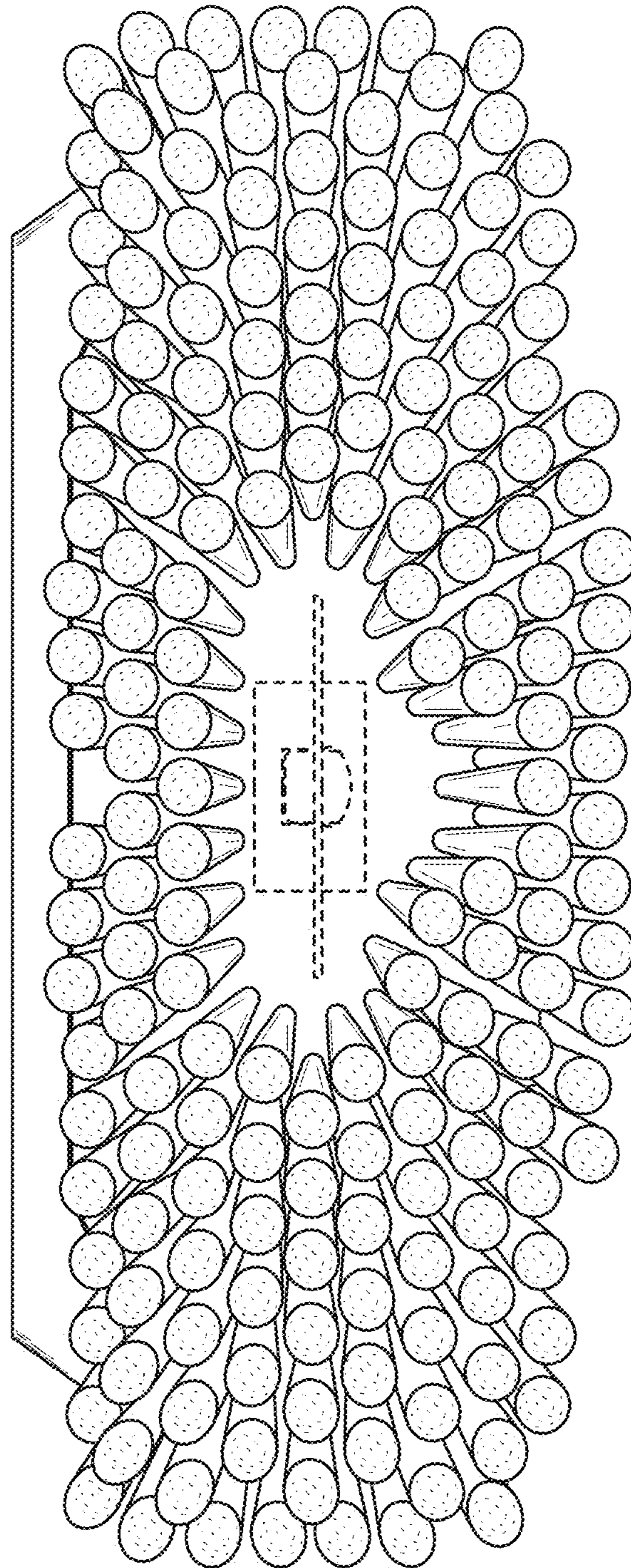


FIG. 7



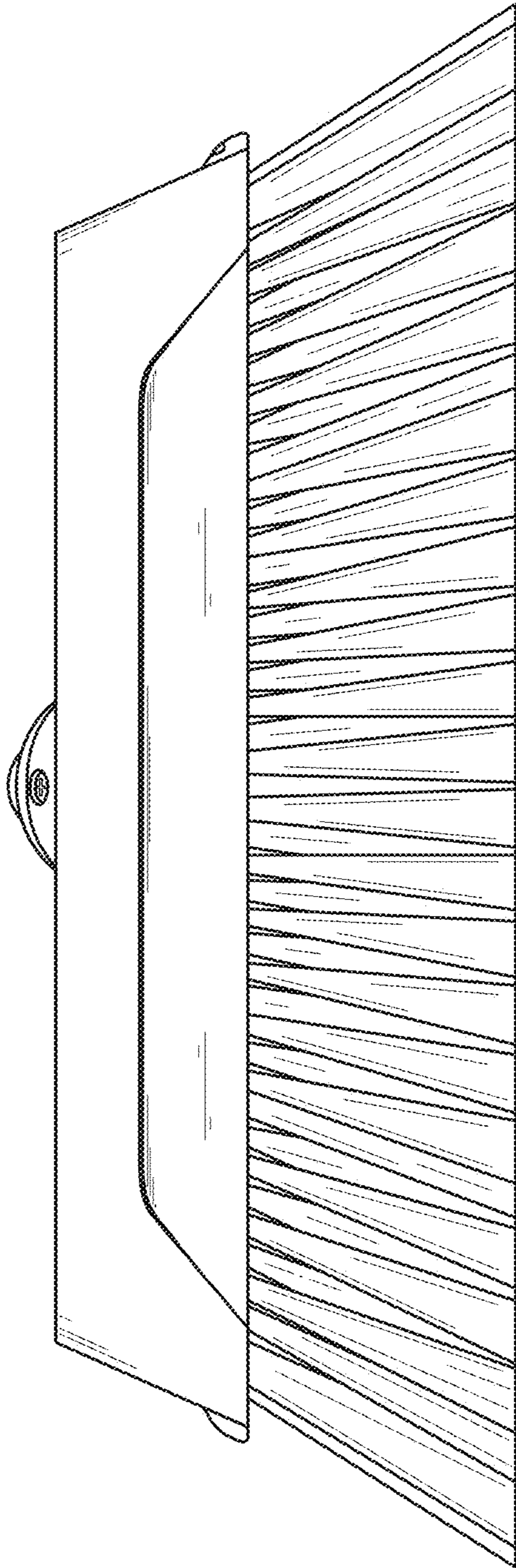


FIG. 8