



US00D912917S

(12) **United States Design Patent** (10) **Patent No.:** **US D912,917 S**
Beaton (45) **Date of Patent:** **** Mar. 9, 2021**

(54) **COLLECTOR**
(71) Applicant: **Beaton Innovations, Inc.**, West Elmira, NY (US)
(72) Inventor: **Joel S Beaton**, West Elmira, NY (US)
(73) Assignee: **BEATON INNOVATIONS, INC.**, West Elmira, NY (US)
(**) Term: **15 Years**
(21) Appl. No.: **29/695,787**
(22) Filed: **Jun. 21, 2019**
(51) **LOC (13) Cl.** **15-05**
(52) **U.S. Cl.**
USPC **D32/31**
(58) **Field of Classification Search**
USPC D32/31, 32, 33, 34; 15/415.1; 366/347
CPC .. A47L 7/0085; B01F 15/00; B01F 15/00961; B01F 3/18; B08B 15/00; B08B 15/007
See application file for complete search history.

(56) **References Cited**
U.S. PATENT DOCUMENTS
D292,407 S * 10/1987 Legler D15/133
D573,615 S * 7/2008 McDaniel D15/138
D685,402 S * 7/2013 Cappuccio D15/133
D717,844 S * 11/2014 Cappuccio D15/133
D800,804 S * 10/2017 Cappuccio D15/133
D816,740 S * 5/2018 Cheng D15/122
D881,956 S * 4/2020 Lumby D15/138

2009/0016151 A1* 1/2009 Beaton B01F 15/00961 366/139
2009/0016152 A1* 1/2009 Beaton B01F 15/00961 366/139
2014/0115821 A1* 5/2014 Beaton B08B 15/00 15/415.1

OTHER PUBLICATIONS

<https://www.amazon.com/Super-Dust-Collector-WaleTale/dp/B00BVKCR7C> (Year: 2020).*
<https://www.tankservices.co.uk/product/water-tanks/spray-fan-for-dust-suppression/> (Year: 2020).*
<http://lev-tec.com.au/wp-content/uploads/2017/08/wale-tale-e1501730147419.jpg> (Year: 2010).*

* cited by examiner

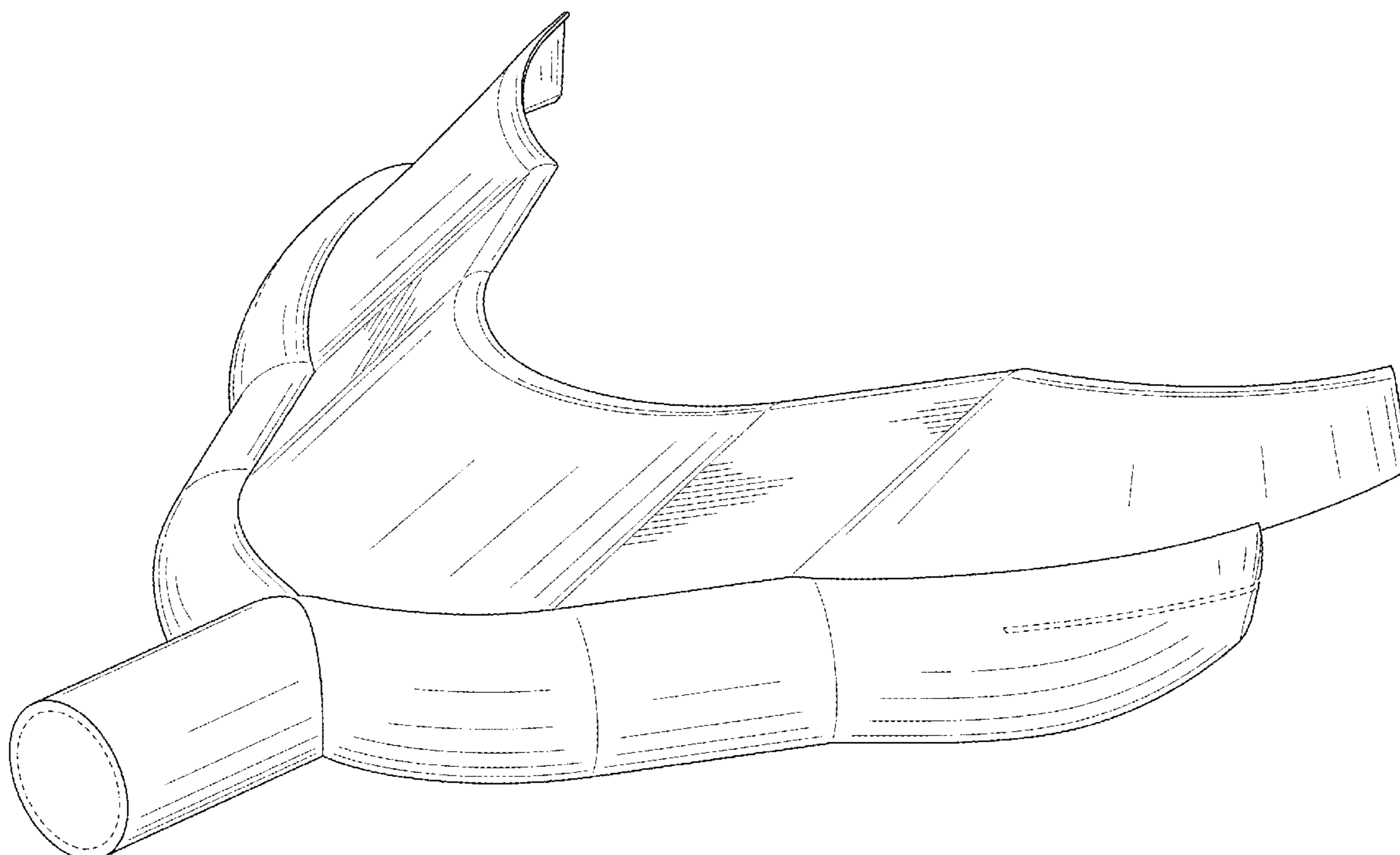
Primary Examiner — Michelle E. Wilson
Assistant Examiner — Richard E Yenchesky
(74) *Attorney, Agent, or Firm* — Brown & Michaels, PC

(57) **CLAIM**
The ornamental design for a collector, as shown and described.

DESCRIPTION

FIG. 1 is a perspective view of the collector of the present invention.
FIG. 2 is a side view of the collector.
FIG. 3 is a side view of the collector, showing the opposite side from FIG. 2.
FIG. 4 is a top view of the collector.
FIG. 5 is a bottom view of the collector.
FIG. 6 is a back view of the collector; and,
FIG. 7 is a front view of the collector.

1 Claim, 5 Drawing Sheets



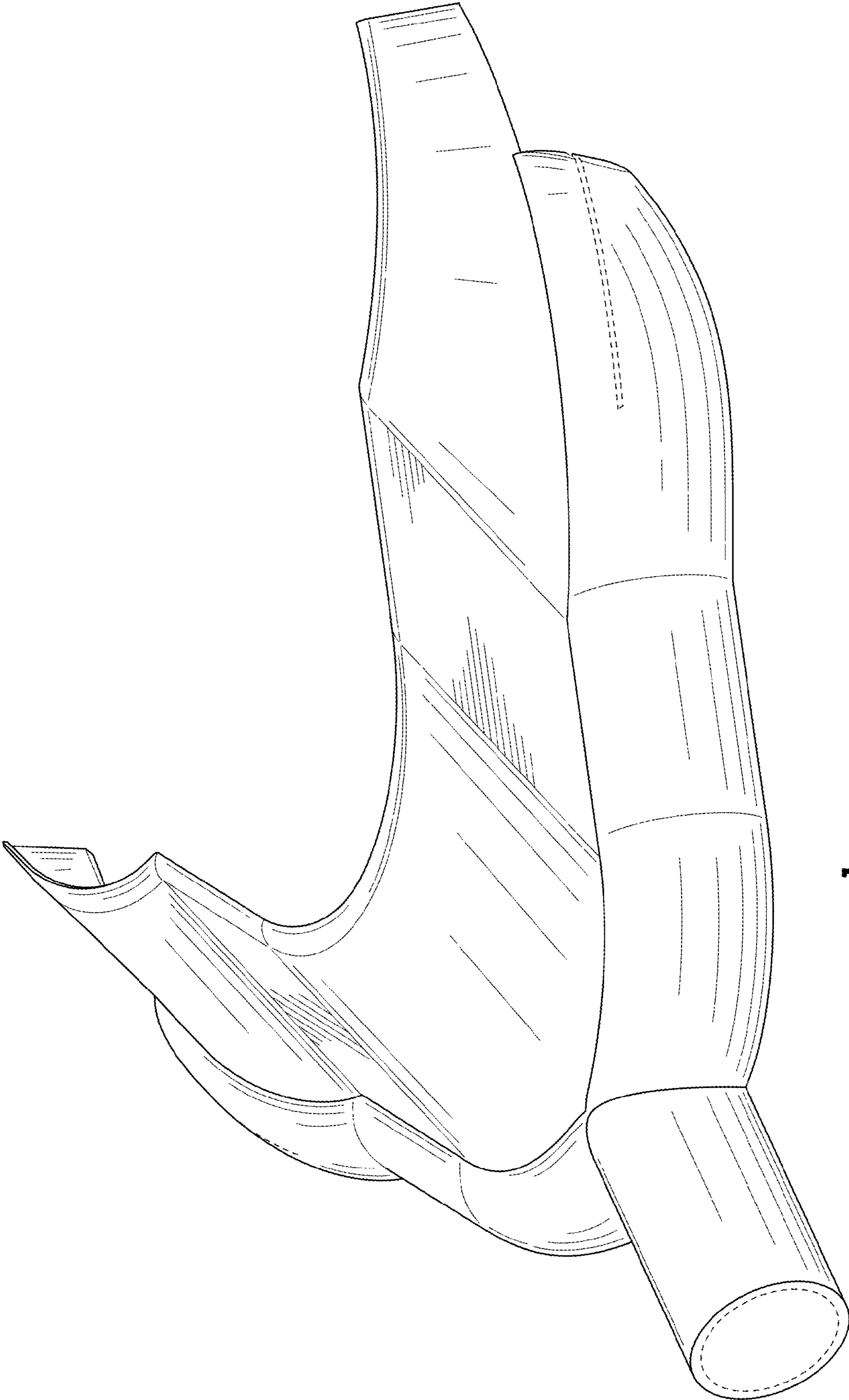


FIG. 1

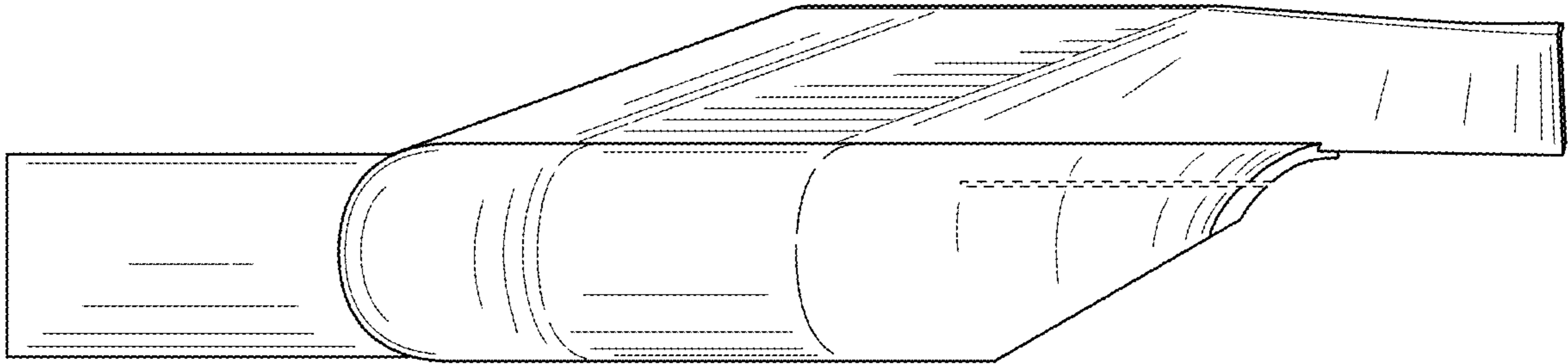


FIG. 2

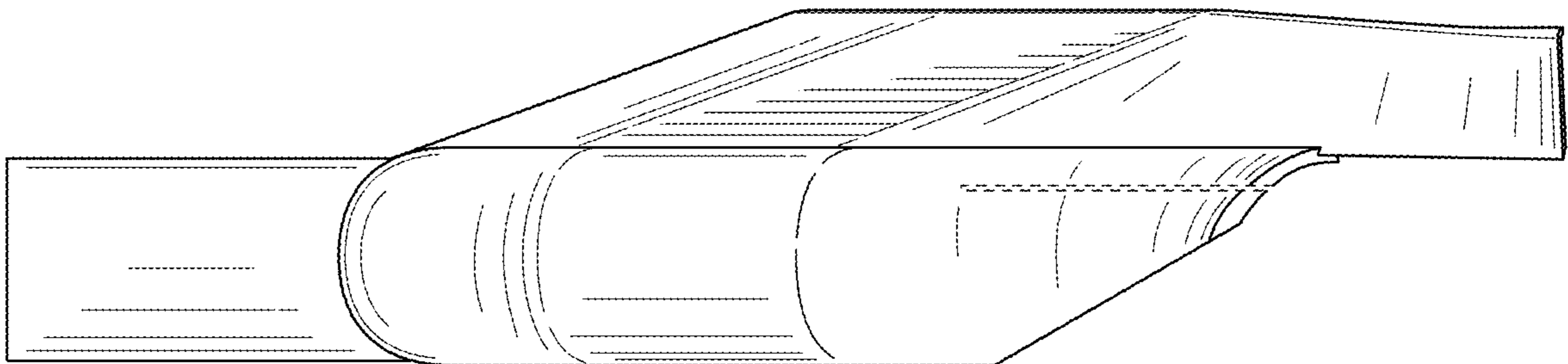


FIG. 3

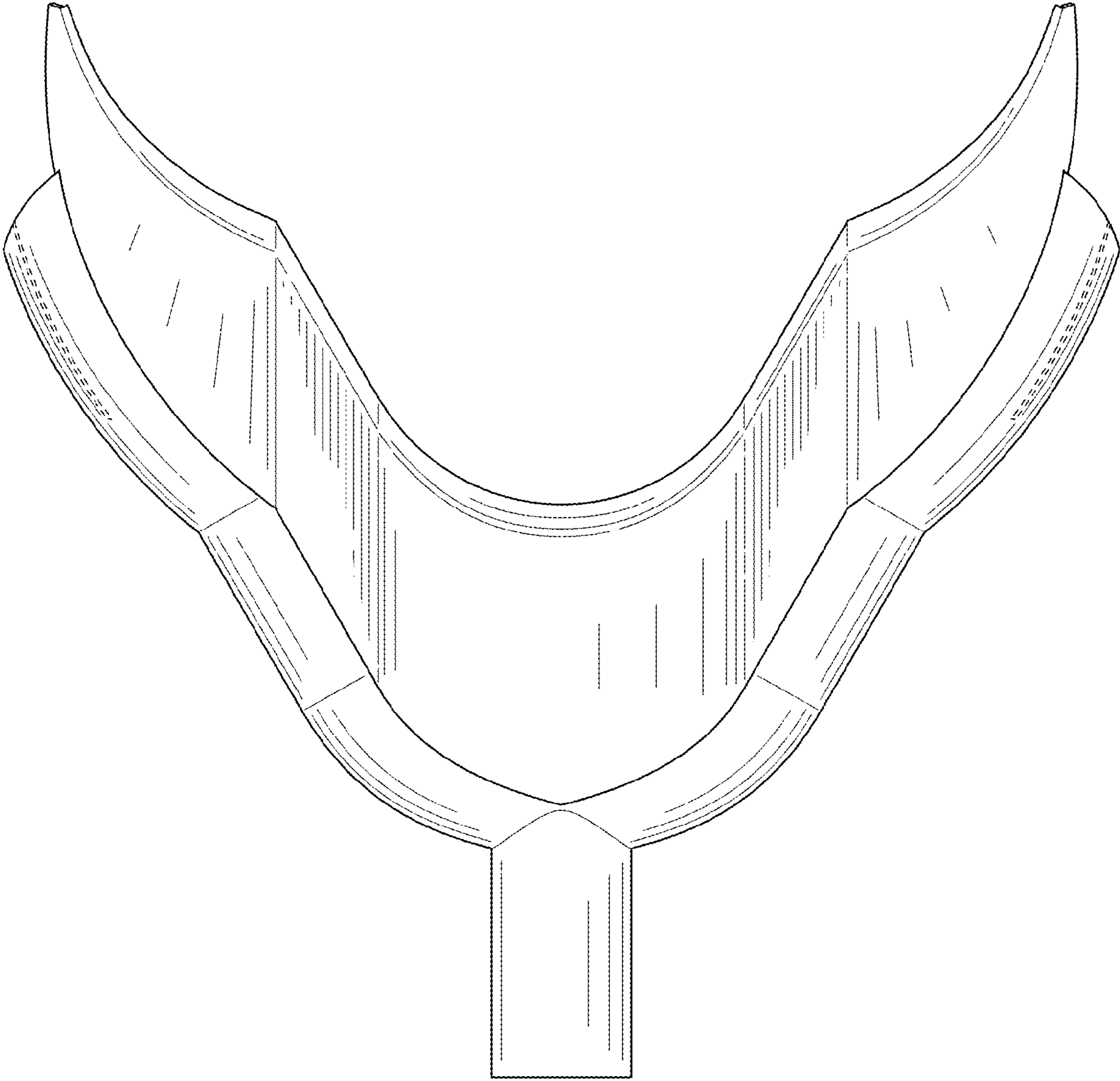


FIG. 4

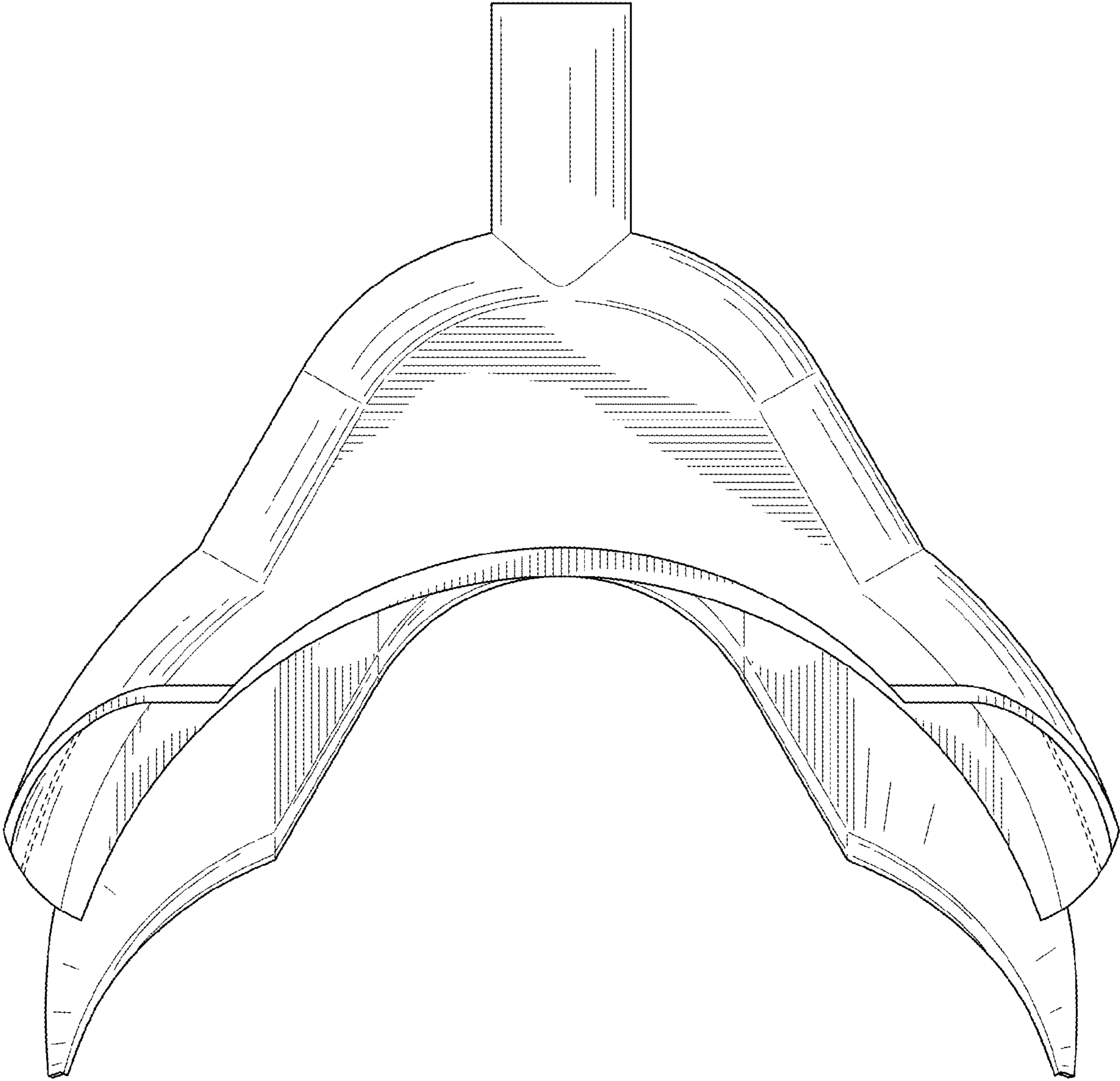


FIG. 5

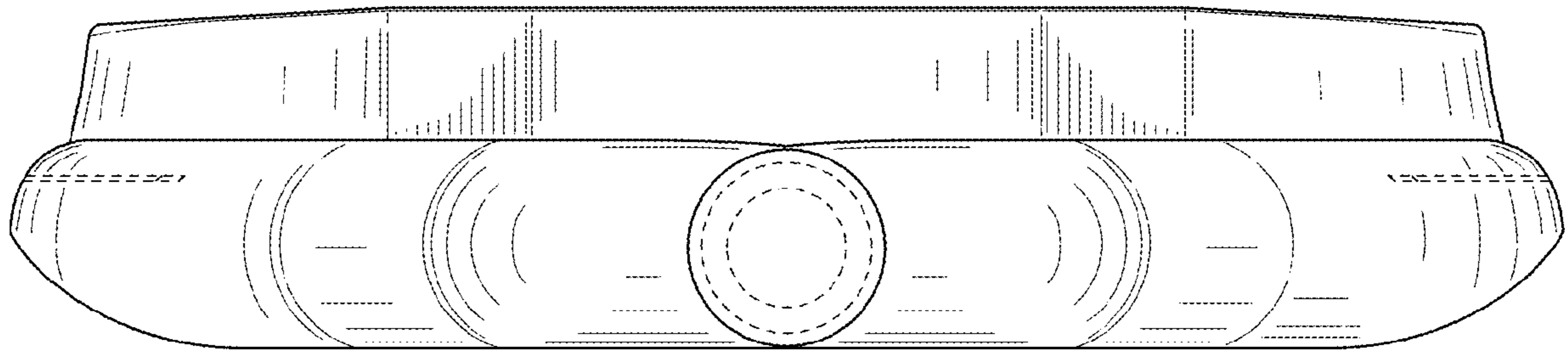


FIG. 6

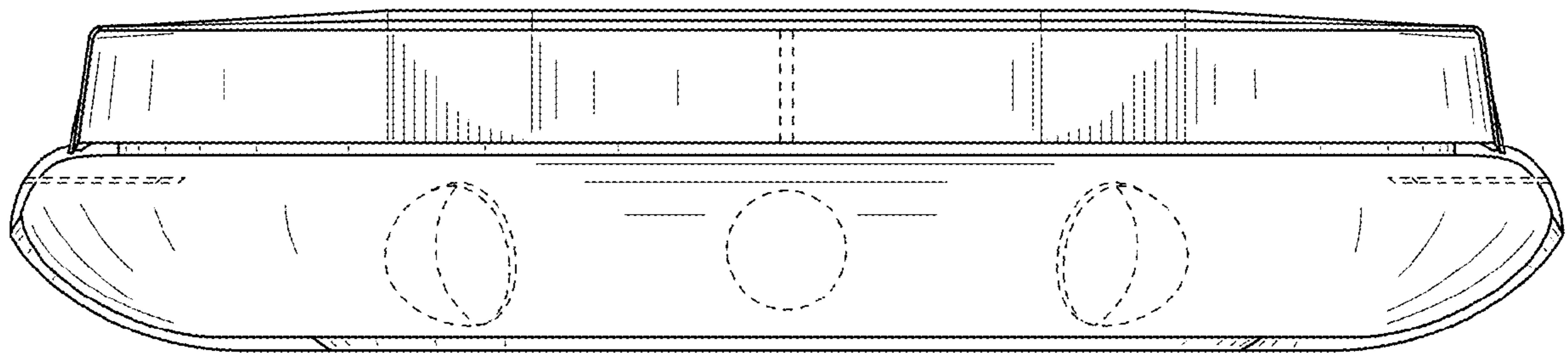


FIG. 7