



US00D912915S

(12) **United States Design Patent** (10) **Patent No.:** **US D912,915 S**
Maier et al. (45) **Date of Patent:** **** Mar. 9, 2021**

(54) **DISHWASHER**
 (71) Applicant: **ILLINOIS TOOL WORKS INC.**,
 Glenview, IL (US)
 (72) Inventors: **Daniel Maier**, Offenburg (DE); **Roland Werner**, Friesenheim (DE); **Benjamin Franz**, Hohberg (DE); **Björn Brodowski**, Hohberg (DE)

D212,039 S * 8/1968 Appel et al. D32/2
 D231,484 S * 4/1974 Peterson D32/2
 D239,155 S * 3/1976 Kent et al. D32/16
 D249,343 S * 9/1978 Ronzani D14/442
 D274,851 S * 7/1984 Schmitz D32/15
 D275,426 S * 9/1984 Edge D32/4
 D276,472 S * 11/1984 Harrison D32/1
 D293,269 S * 12/1987 Prinzhorn 902/30
 D298,372 S * 11/1988 Taylor, Jr. D32/1
 D316,428 S * 4/1991 Merl D20/8
 D316,568 S * 4/1991 Koch D20/8
 D320,489 S * 10/1991 Marks D32/3

(73) Assignee: **ILLINOIS TOOL WORKS INC.**,
 Glenview, IL (US)

(Continued)

(**) Term: **15 Years**

FOREIGN PATENT DOCUMENTS

(21) Appl. No.: **29/677,682**

CN 305420546 * 11/2019

(22) Filed: **Jan. 23, 2019**

OTHER PUBLICATIONS

(30) **Foreign Application Priority Data**

Jul. 25, 2018 (EM) 005513645

Site visited Nov. 3, 2020, CMA Dishmachines EST-AH Door Type, website 2020, https://www.webstaurantstore.com/cma-dishmachines-est-ah-door-type-single-rack-low-temperature-straight-dishwasher-115v/250ESTAHX.html?utm_*

(51) **LOC (13) Cl.** **15-05**

(52) **U.S. Cl.**
 USPC **D32/3**

Primary Examiner — John R Yeh
 (74) *Attorney, Agent, or Firm* — Thompson Hine LLP

(58) **Field of Classification Search**
 USPC D32/1-2, 4, 6, 8, 10, 15-16, 3; D14/442,
 D14/445, 450; D20/8; D7/307; D99/28,
 D99/99
 CPC E05C 17/12; D06F 37/30; D06F 39/00;
 B23K 26/16; B23K 26/127; G11B 19/02;
 B08B 7/0042; B60S 3/04
 See application file for complete search history.

(57) **CLAIM**
 The ornamental design for a dishwasher, as shown and described.

(56) **References Cited**

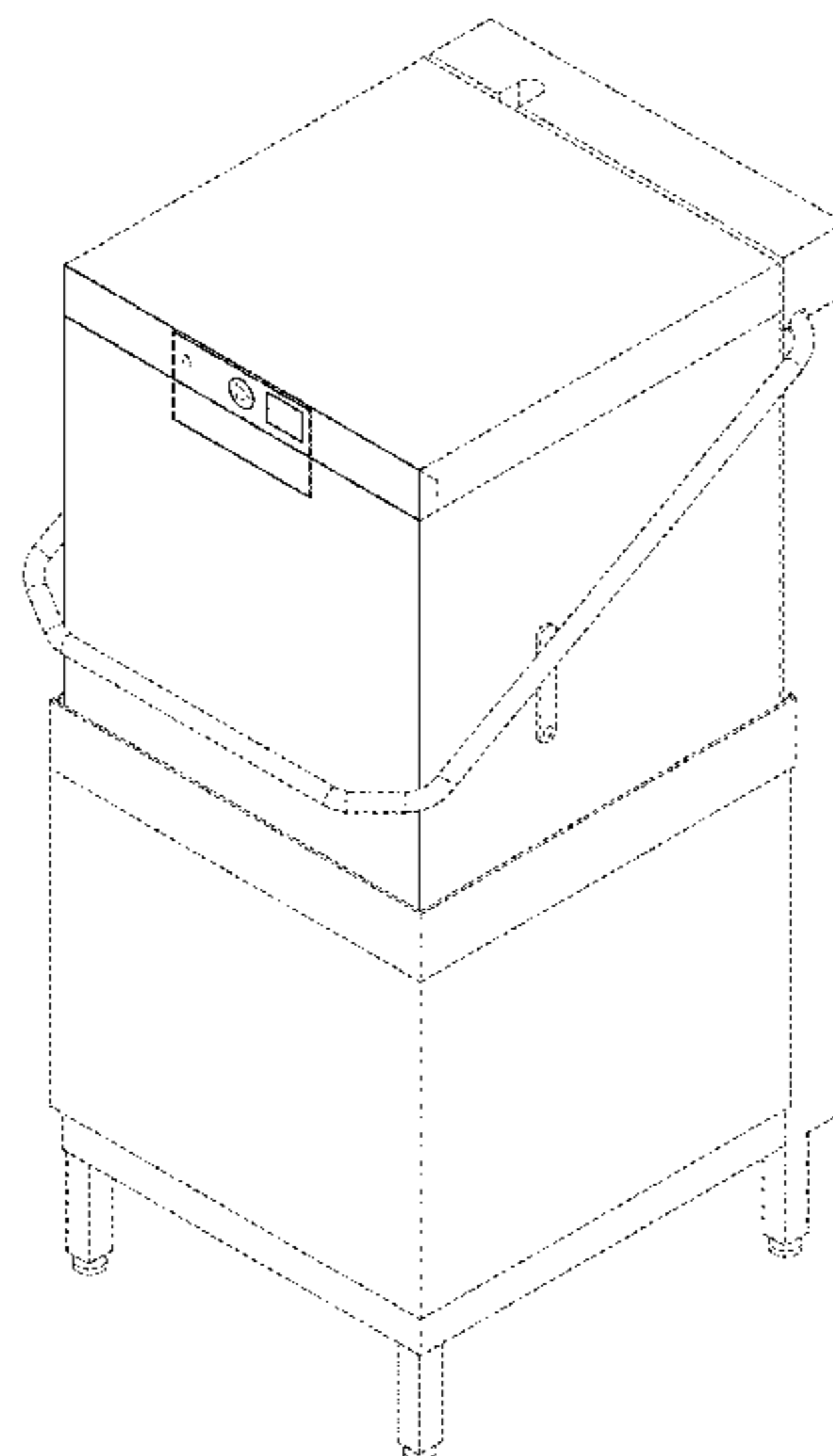
DESCRIPTION

U.S. PATENT DOCUMENTS

3,020,917 A * 2/1962 Lyman A47L 15/16
 134/58 D
 D194,503 S * 2/1963 Moore D14/445
 D195,992 S * 8/1963 Nolte D32/2
 D196,982 S * 11/1963 Doman D32/3
 D208,903 S * 10/1967 Zedron et al. D32/4

FIG. 1 is a perspective of a dishwasher;
 FIG. 2 is a front view of the dishwasher;
 FIG. 3 is a left side view of the dishwasher;
 FIG. 4 is a right side view of the dishwasher;
 FIG. 5 is a rear view of the dishwasher;
 FIG. 6 is a top view of the dishwasher; and,
 FIG. 7 is a bottom view of the dishwasher.
 The broken lines shown in the figures represent environmental structure and form no part of the claimed design.

1 Claim, 7 Drawing Sheets



(56)

References Cited

U.S. PATENT DOCUMENTS

D346,088 S * 4/1994 Schroeder D7/306
D350,739 S * 9/1994 Chu D14/445
D392,280 S * 3/1998 Lin D14/445
D394,526 S * 5/1998 Strandell D32/22
D438,352 S * 2/2001 Jeong D32/2
D454,882 S * 3/2002 Jung D14/450
D458,422 S * 6/2002 Richardson D32/2
D460,841 S * 7/2002 Richardson D32/2
D467,691 S * 12/2002 Richardson D32/2
D482,827 S * 11/2003 Storer D32/21
D482,828 S * 11/2003 Storer D32/22
D493,583 S * 7/2004 Kaczmarek D32/3
D494,730 S * 8/2004 Magee D99/28
D495,113 S * 8/2004 Lynch D6/705.5
D589,562 S * 3/2009 Holtslander D20/8
D602,728 S * 10/2009 Cesa D7/307
D735,959 S * 8/2015 Linton D32/15
D740,501 S * 10/2015 Taylor D32/16
D747,414 S * 1/2016 Chen D20/1
D748,874 S * 2/2016 Roberson D32/3
2018/0070794 A1 * 3/2018 Berner A47L 15/0028

* cited by examiner

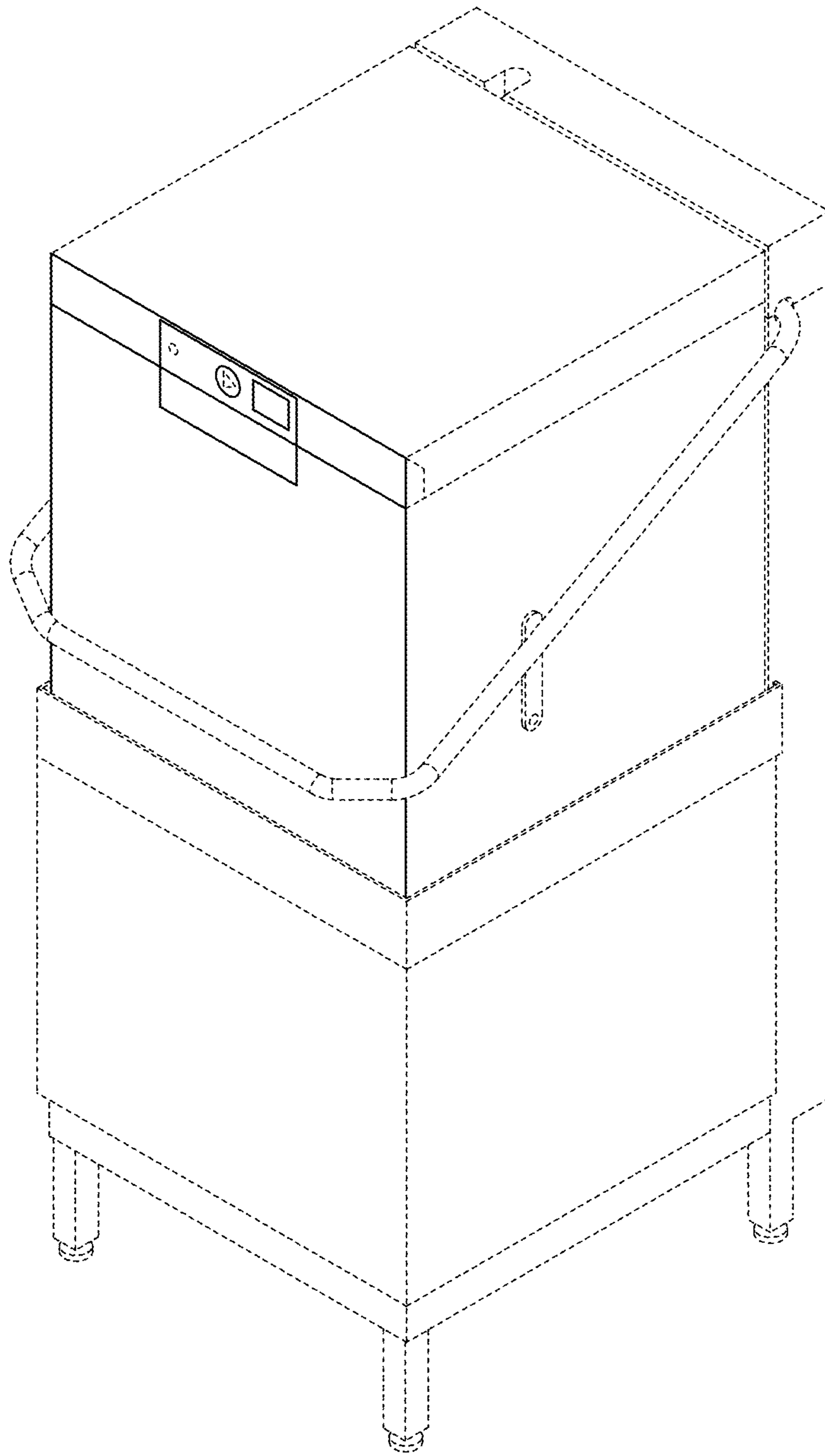


FIG. 1

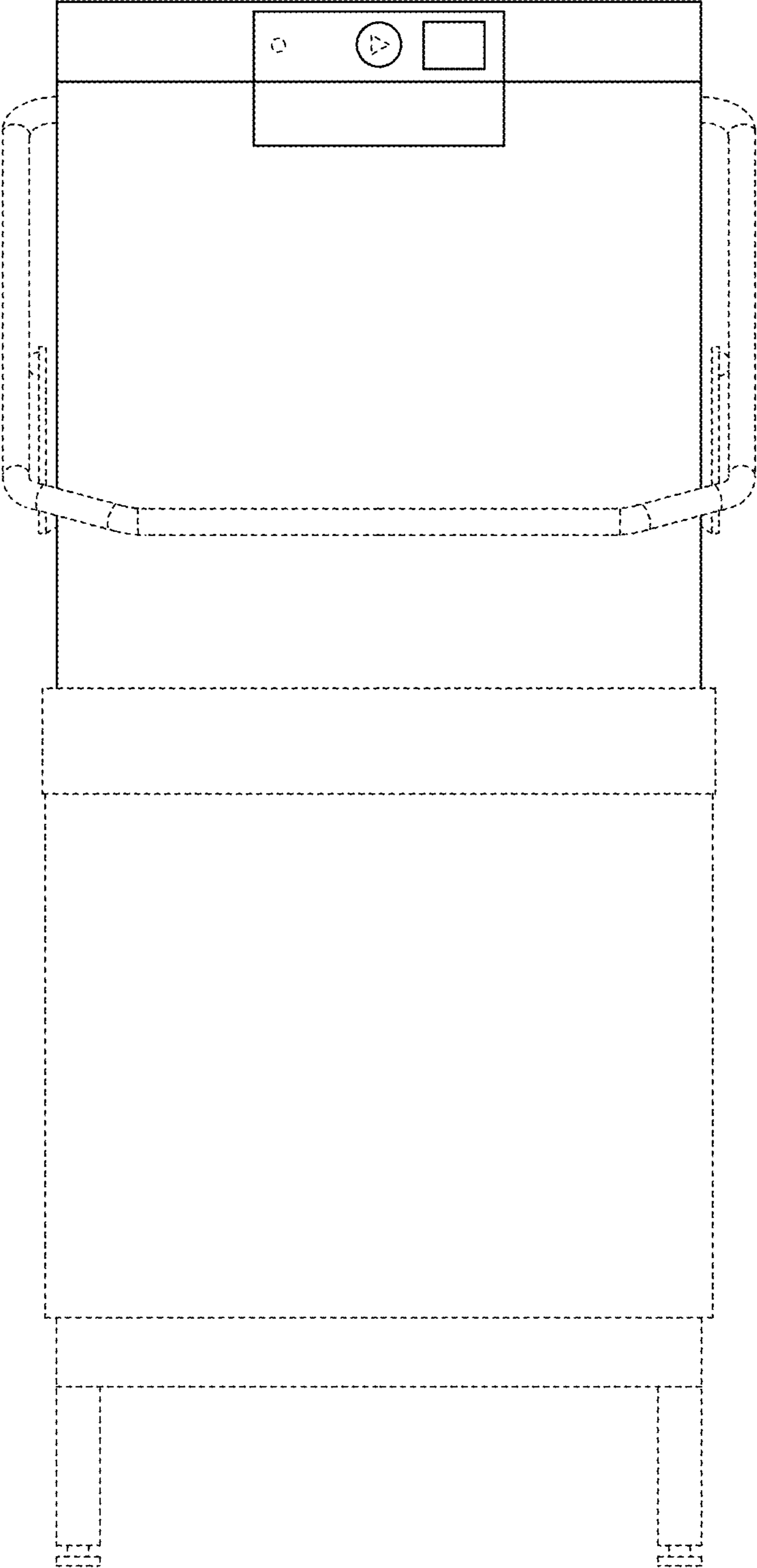


FIG. 2

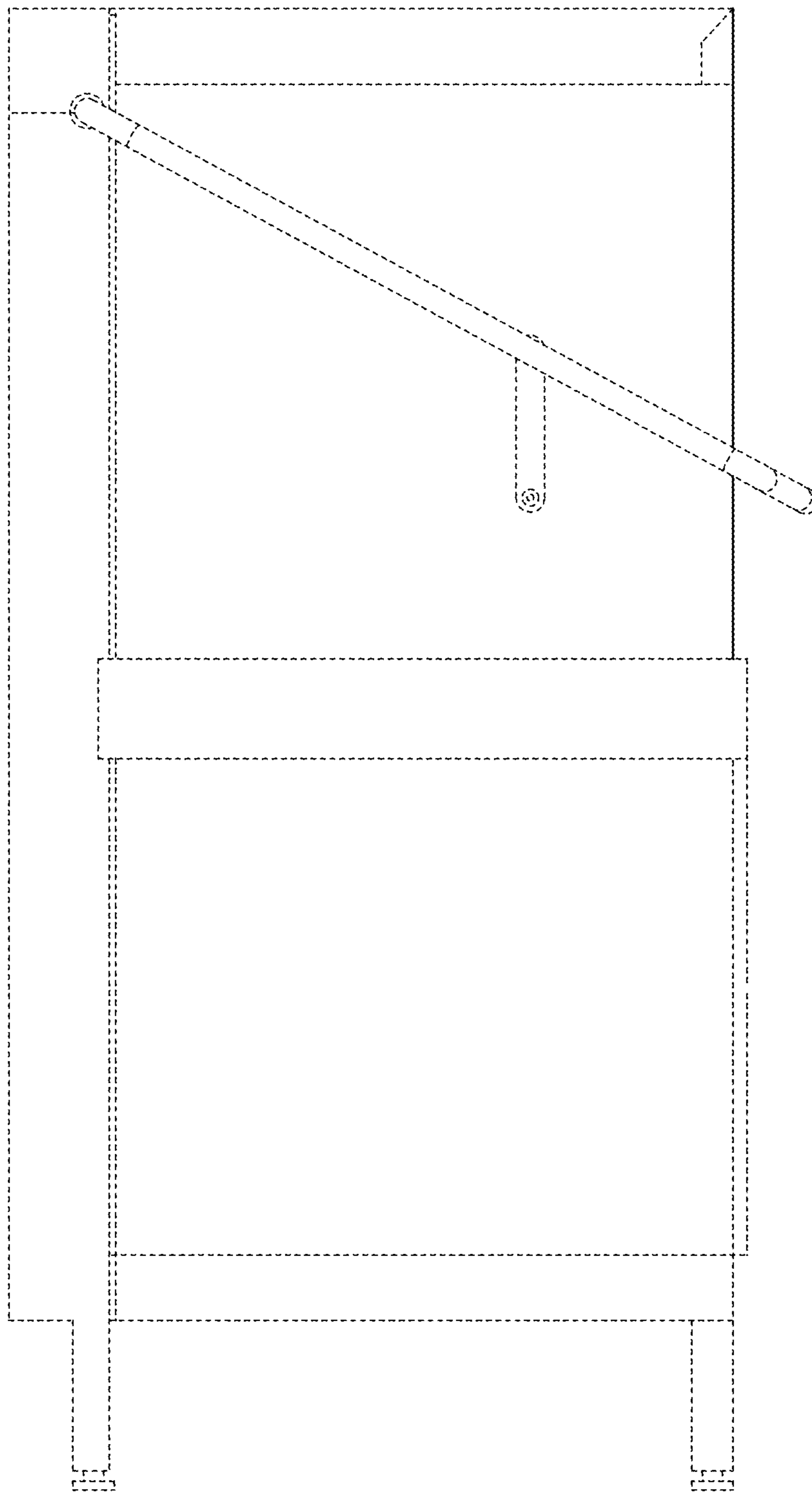


FIG. 3

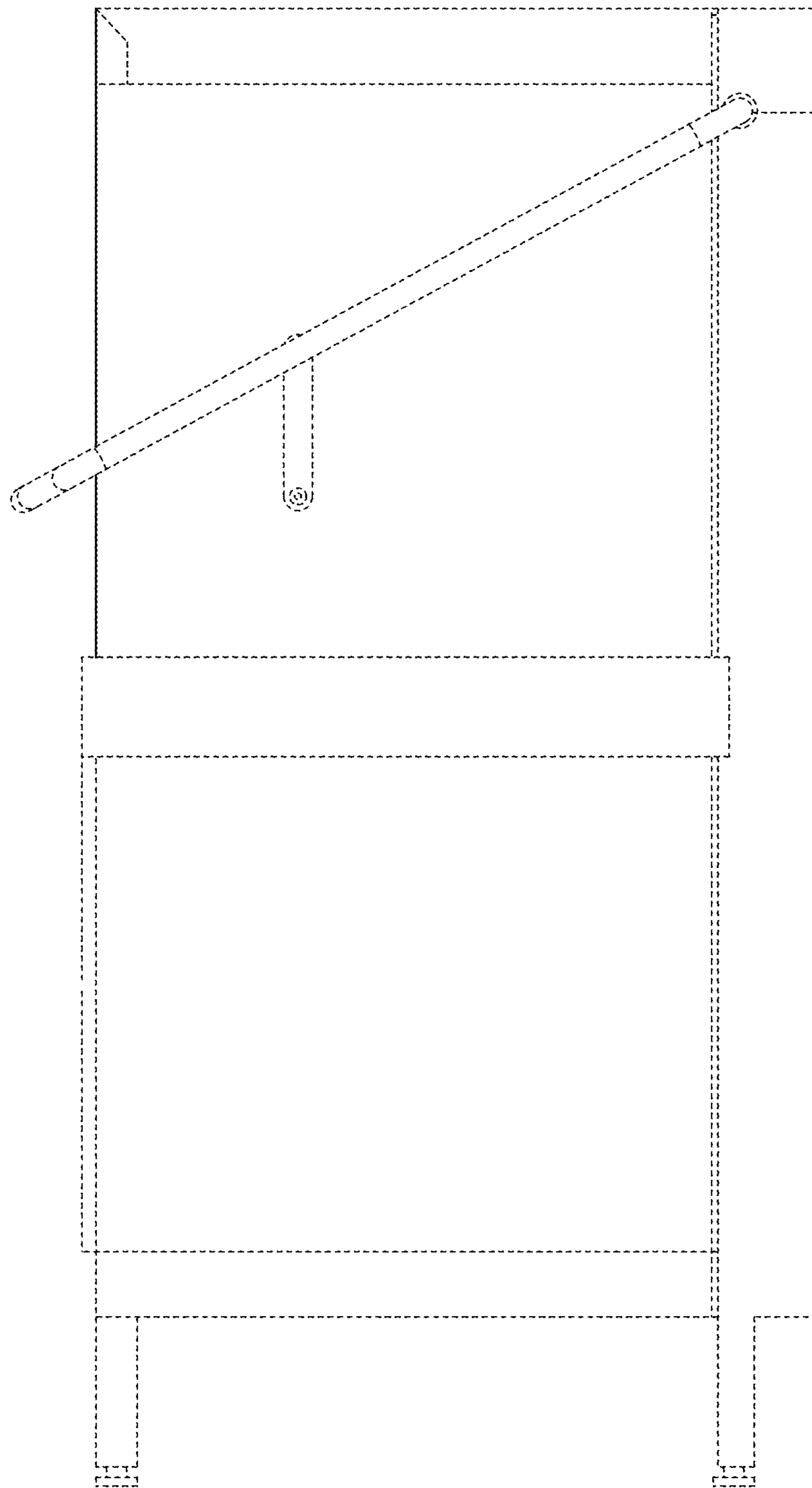


FIG. 4

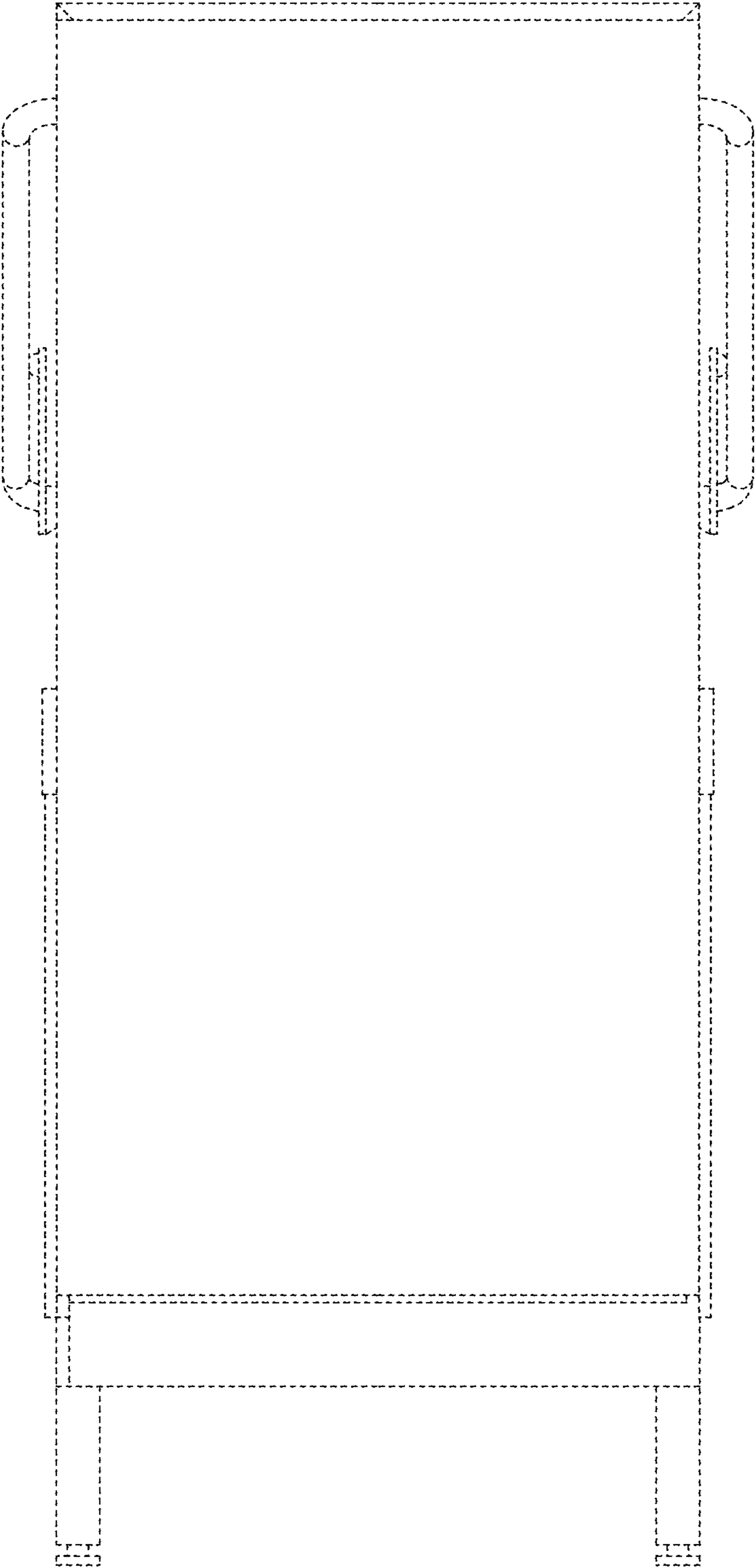


FIG. 5

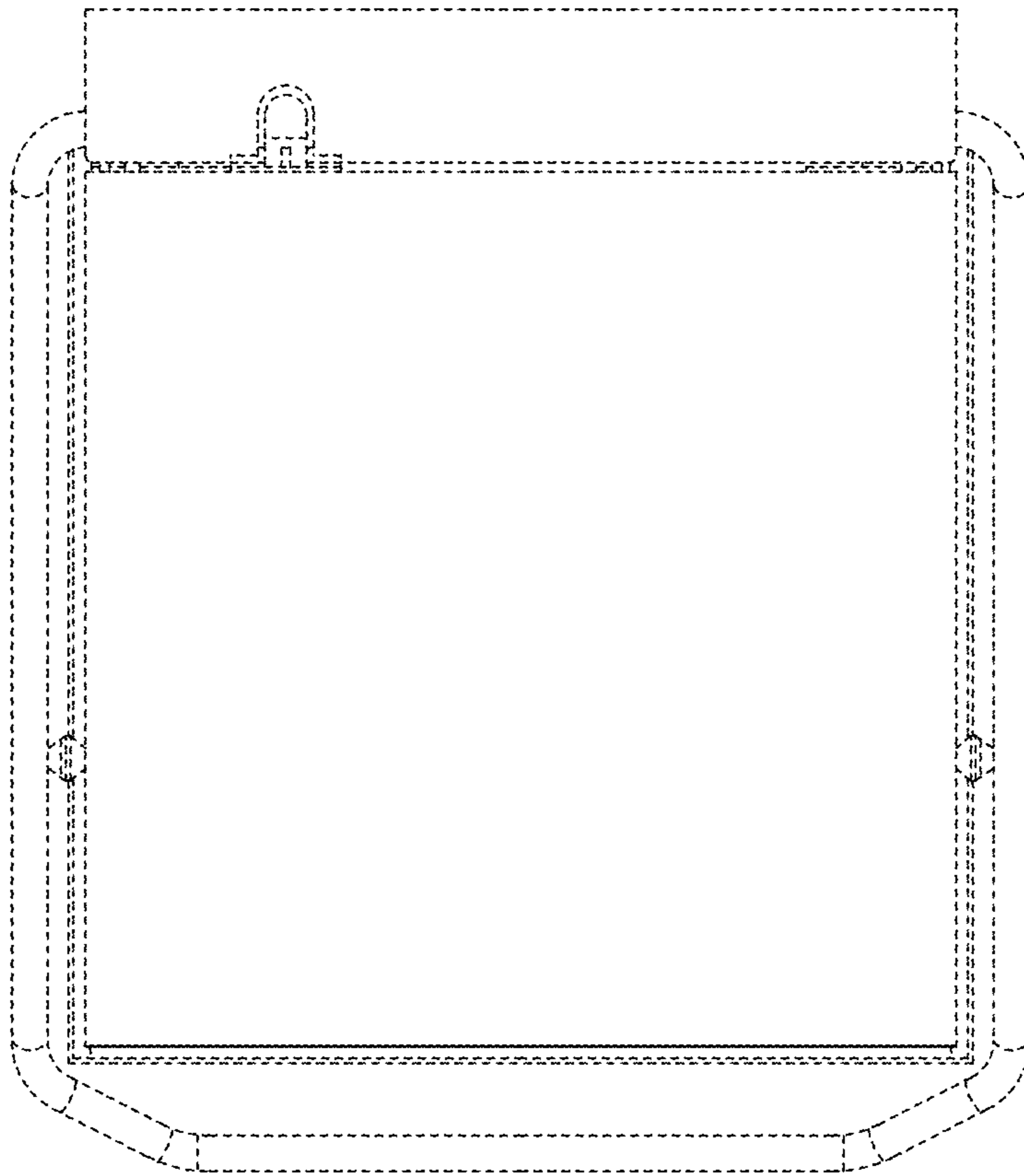


FIG. 6

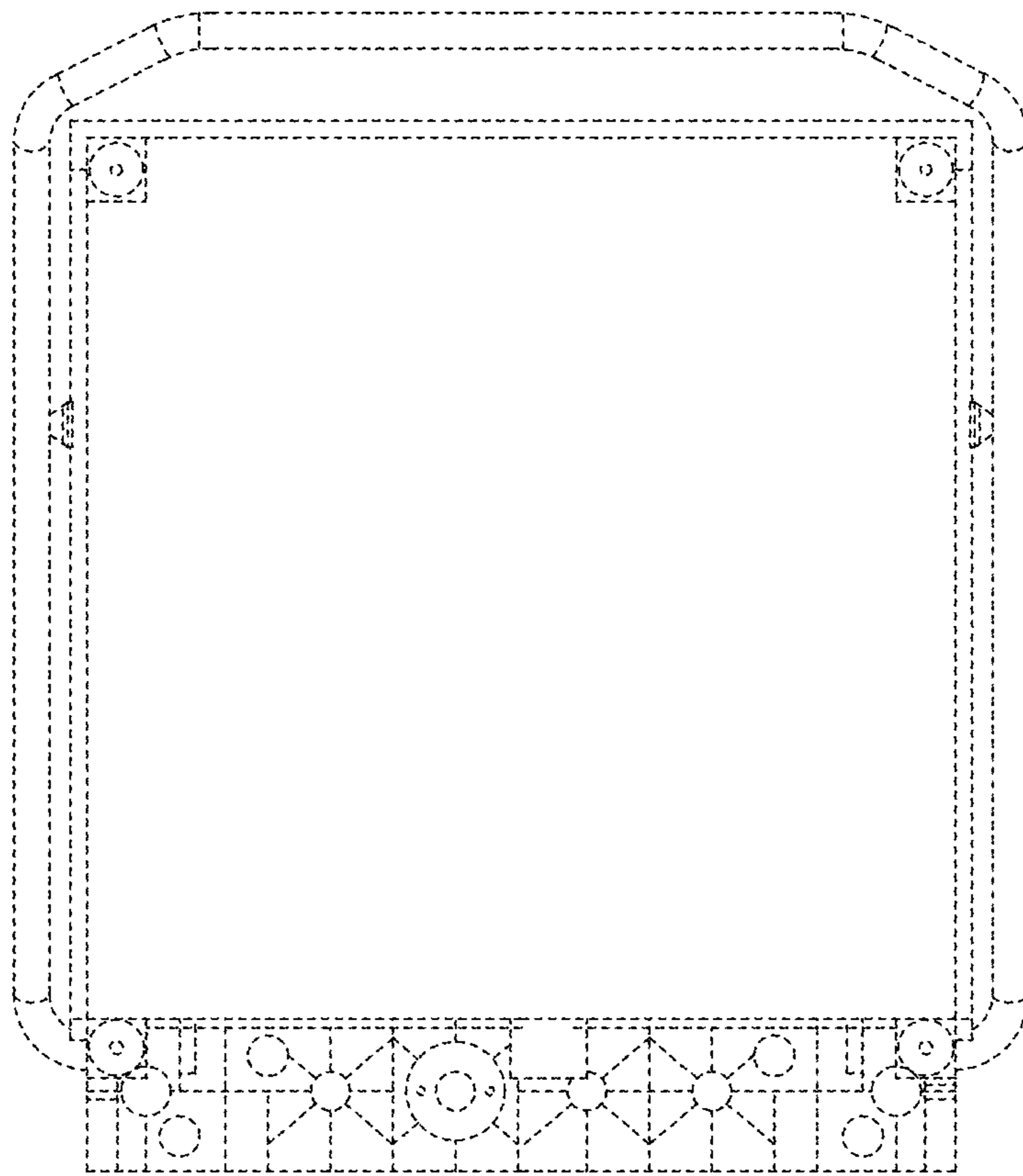


FIG. 7