



US00D912914S

(12) **United States Design Patent** (10) **Patent No.:** **US D912,914 S**  
**Disch et al.** (45) **Date of Patent:** **\*\* Mar. 9, 2021**

(54) **DISHWASHER**

(71) Applicant: **ILLINOIS TOOL WORKS INC.**,  
Glenview, IL (US)

(72) Inventors: **Harald Disch**, Elzach (DE); **Dietrich Berner**, Waldstetten (DE); **Martin Schrempp**, Biberach (DE); **Adrian Boldt**, Offenburg (DE)

(73) Assignee: **ILLINOIS TOOL WORKS INC.**,  
Glenview, IL (US)

(\*\*) Term: **15 Years**

(21) Appl. No.: **29/677,681**

(22) Filed: **Jan. 23, 2019**

(30) **Foreign Application Priority Data**

Jul. 26, 2018 (EP) ..... 005515343

(51) **LOC (13) Cl.** ..... **15-05**

(52) **U.S. Cl.**  
USPC ..... **D32/3**

(58) **Field of Classification Search**  
USPC .... D32/1-2, 4, 6, 8, 10, 15-16, 3; D14/442,  
D14/445, 450; D20/8; D7/307; D99/28,  
D99/99

CPC ..... E05C 17/12; D06F 39/00; D06F 37/30;  
B23K 26/16; B23K 26/127; G11B 19/02;  
B08B 7/0042; B60S 3/04

See application file for complete search history.

(56) **References Cited**

**U.S. PATENT DOCUMENTS**

- 3,020,917 A \* 2/1962 Lyman ..... A47L 15/16  
134/58 D
- D194,503 S \* 2/1963 Moore ..... D14/445
- D195,992 S \* 8/1963 Nolte ..... D32/2
- D196,982 S \* 11/1963 Doman ..... D32/3
- D208,903 S \* 10/1967 Zedron et al. .... D32/4

- D212,039 S \* 8/1968 Appel et al. .... D32/2
- D231,484 S \* 4/1974 Peterson ..... D32/2
- D239,155 S \* 3/1976 Kent et al. .... D32/16
- D249,343 S \* 9/1978 Ronzani ..... D14/442
- D274,851 S \* 7/1984 Schmitz ..... D32/15
- D275,426 S \* 9/1984 Edge ..... D32/4
- D276,472 S \* 11/1984 Harrison ..... D32/1
- D293,269 S \* 12/1987 Prinzhorn ..... 902/30
- D298,372 S \* 11/1988 Taylor, Jr. .... D32/1
- D316,428 S \* 4/1991 Merl ..... D20/8
- D316,568 S \* 4/1991 Koch ..... D20/8
- D320,489 S \* 10/1991 Marks ..... D32/3

(Continued)

**FOREIGN PATENT DOCUMENTS**

CN 305420546 \* 11/2019

**OTHER PUBLICATIONS**

Site visited Nov. 3, 2020, CMA Dishmachines EST-AH Door Type, website 2020, [https://www.webstaurantstore.com/cma-dishmachines-est-ah-door-type-single-rack-low-temperature-straight-dishwasher-115v/250ESTAHX.html?utm\\_\\*](https://www.webstaurantstore.com/cma-dishmachines-est-ah-door-type-single-rack-low-temperature-straight-dishwasher-115v/250ESTAHX.html?utm_*)

*Primary Examiner* — John R Yeh

(74) *Attorney, Agent, or Firm* — Thompson Hine LLP

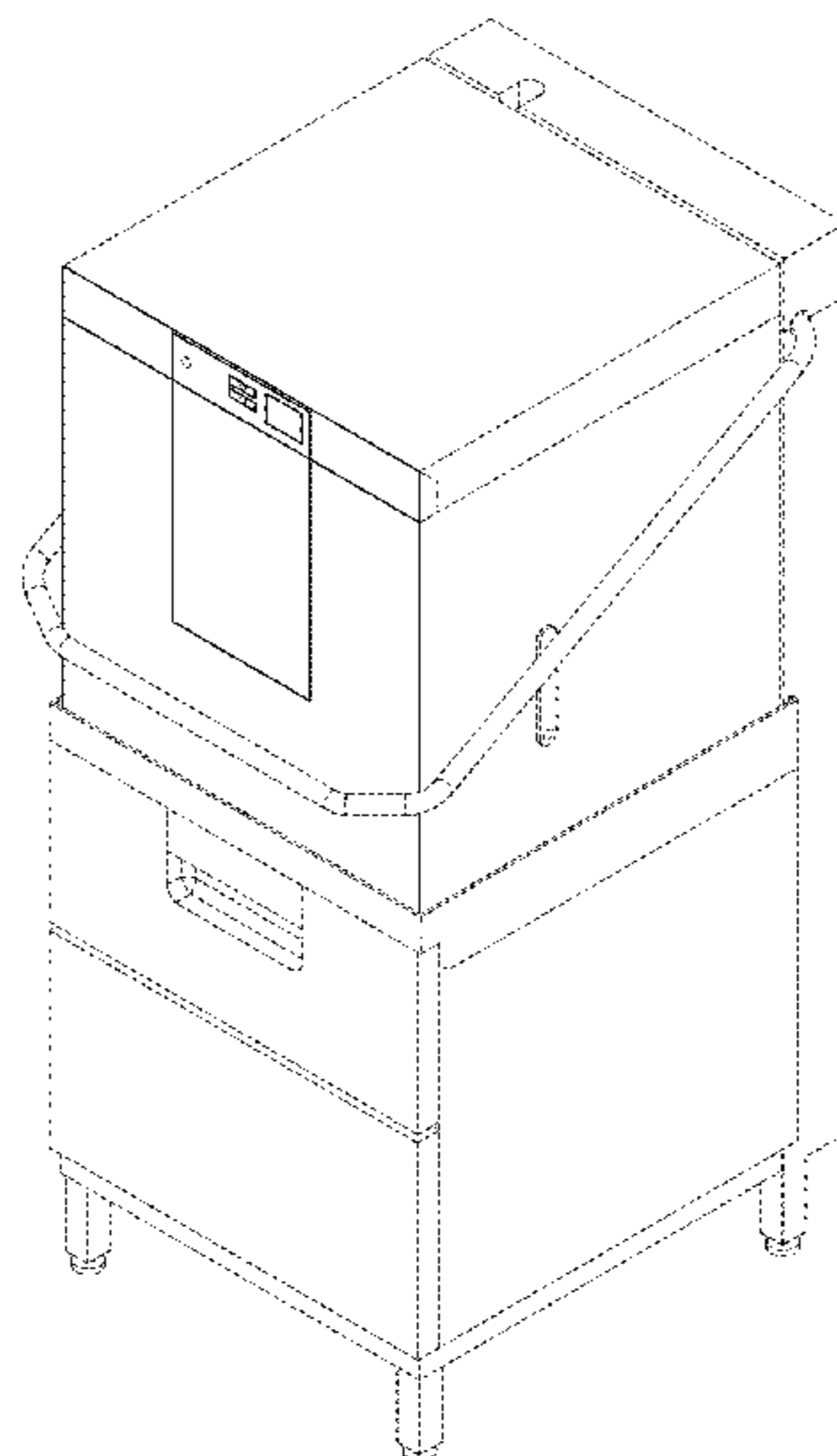
(57) **CLAIM**

The ornamental design for a dishwasher, as shown and described.

**DESCRIPTION**

FIG. 1 is a perspective of a dishwasher;  
FIG. 2 is a front view of the dishwasher;  
FIG. 3 is a left side view of the dishwasher;  
FIG. 4 is a right side view of the dishwasher;  
FIG. 5 is a rear view of the dishwasher;  
FIG. 6 is a top view of the dishwasher; and,  
FIG. 7 is a bottom view of the dishwasher.  
The broken lines shown in the figures represent environmental structure and form no part of the claimed design.

**1 Claim, 7 Drawing Sheets**



(56)

**References Cited**

U.S. PATENT DOCUMENTS

D346,088	S	*	4/1994	Schroeder	.....	D7/306
D350,739	S	*	9/1994	Chu	.....	D14/445
D392,280	S	*	3/1998	Lin	.....	D14/445
D394,526	S	*	5/1998	Strandell	.....	D32/22
D438,352	S	*	2/2001	Jeong	.....	D32/2
D454,882	S	*	3/2002	Jung	.....	D14/450
D458,422	S	*	6/2002	Richardson	.....	D32/2
D460,841	S	*	7/2002	Richardson	.....	D32/2
D467,691	S	*	12/2002	Richardson	.....	D32/2
D482,827	S	*	11/2003	Storer	.....	D32/21
D482,828	S	*	11/2003	Storer	.....	D32/22
D493,583	S	*	7/2004	Kaczmarek	.....	D32/3
D494,730	S	*	8/2004	Magee	.....	D99/28
D495,113	S	*	8/2004	Lynch	.....	D6/705.5
D589,562	S	*	3/2009	Holtlander	.....	D20/8
D602,728	S	*	10/2009	Cesa	.....	D7/307
D735,959	S	*	8/2015	Linton	.....	D32/15
D740,501	S	*	10/2015	Taylor	.....	D32/16
D747,414	S	*	1/2016	Chen	.....	D20/1
D748,874	S	*	2/2016	Roberson	.....	D32/3
2018/0070794	A1	*	3/2018	Berner	.....	A47L 15/0028

\* cited by examiner

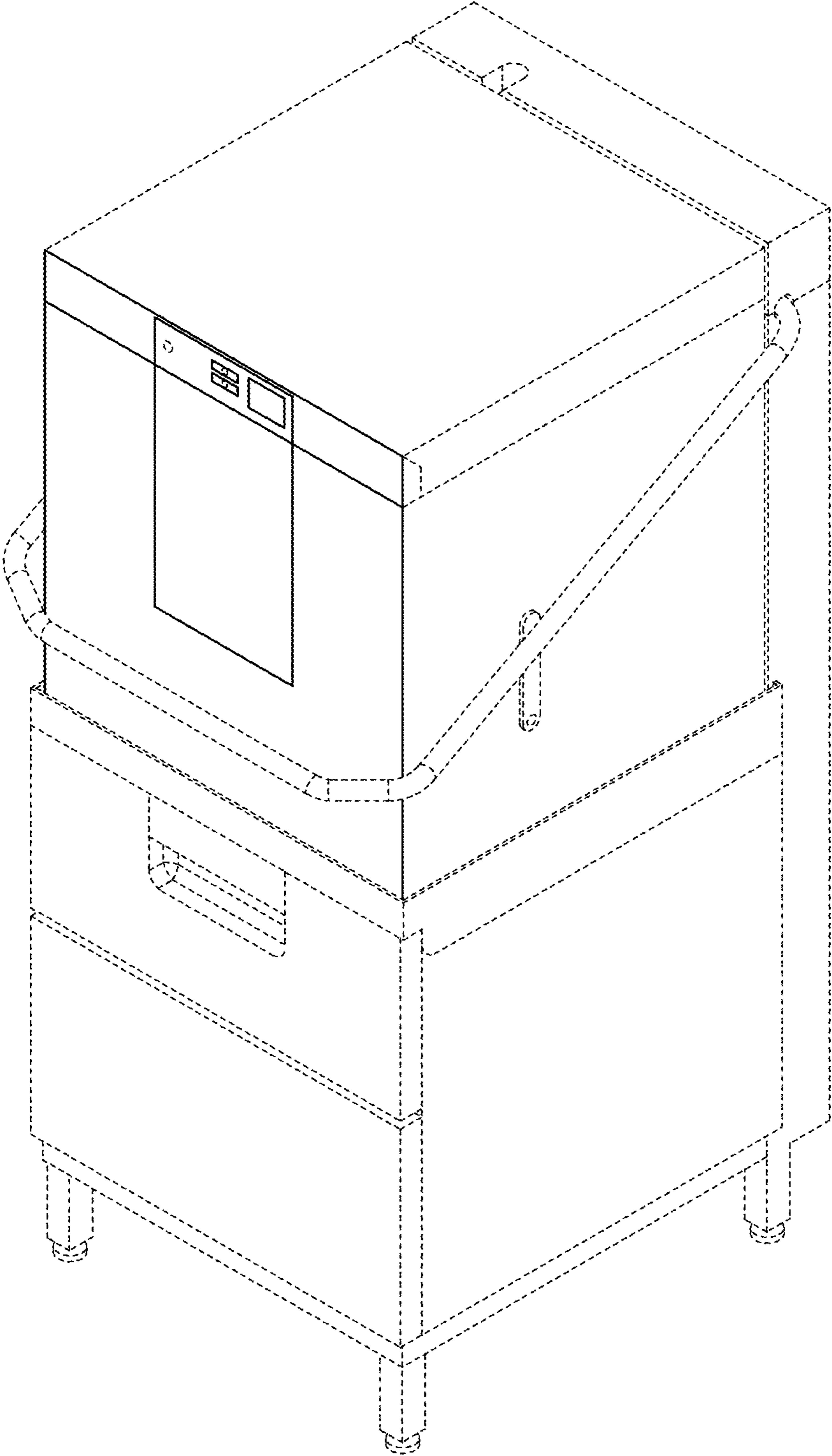


FIG. 1

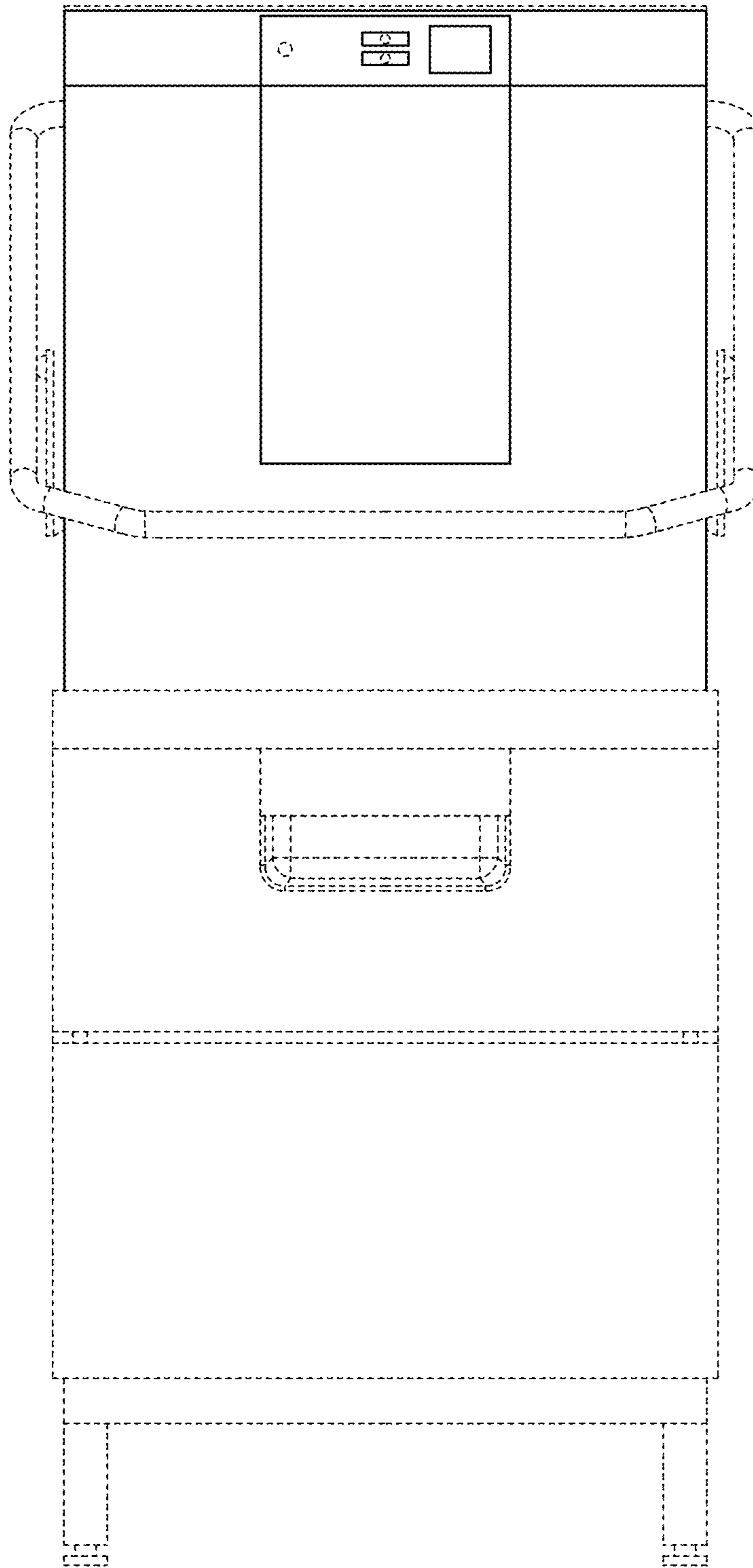


FIG. 2

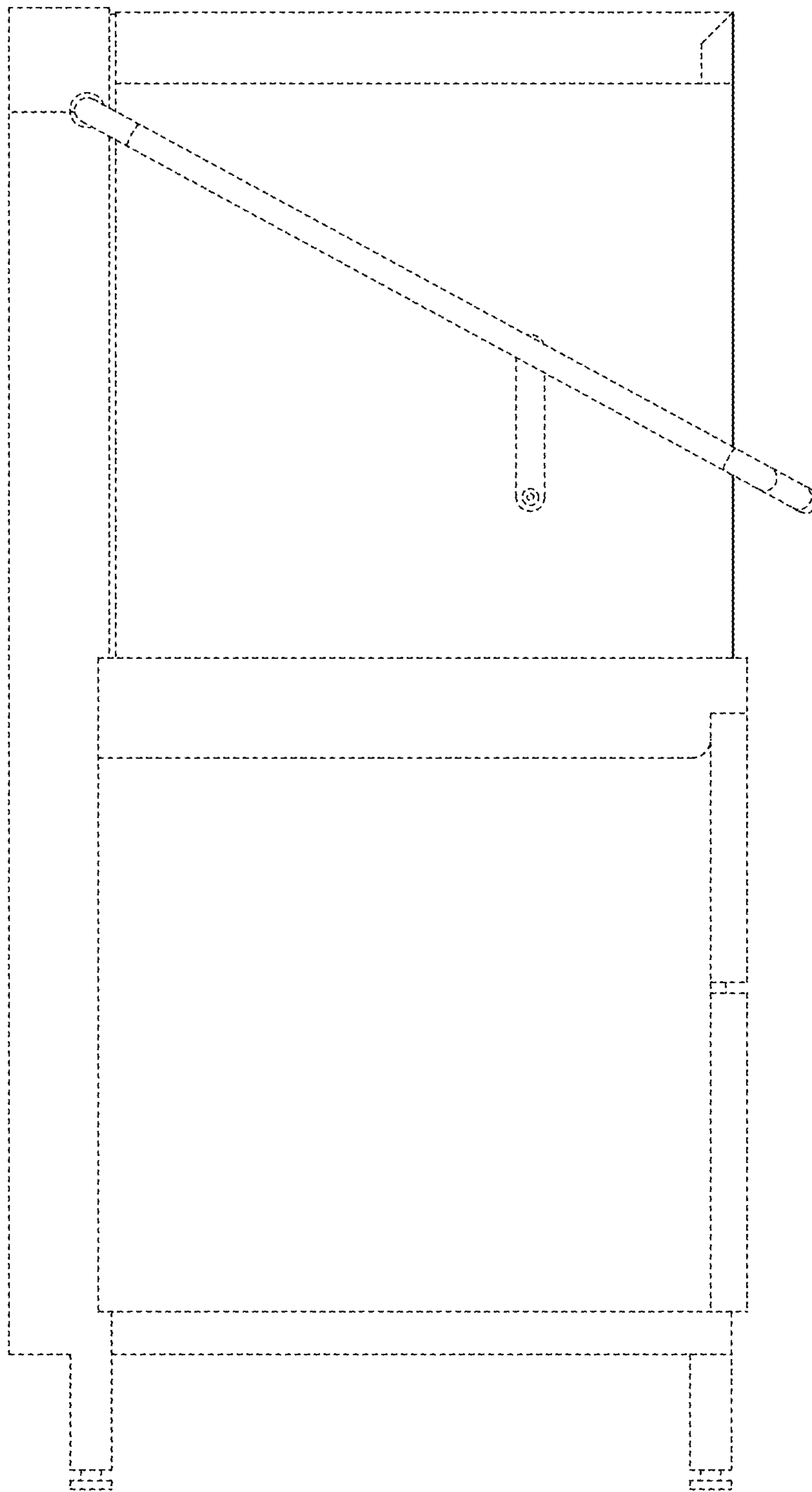


FIG. 3

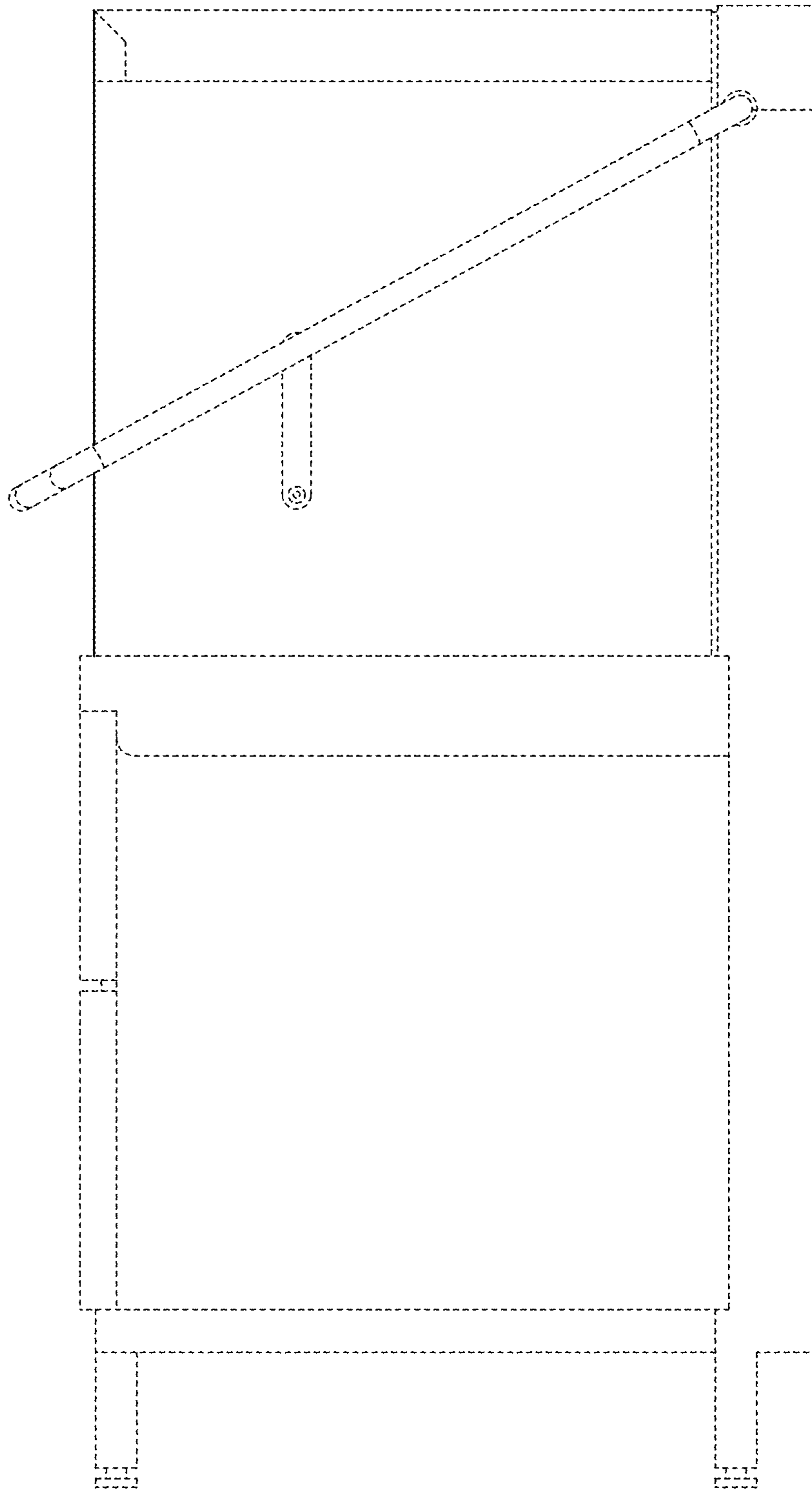


FIG. 4

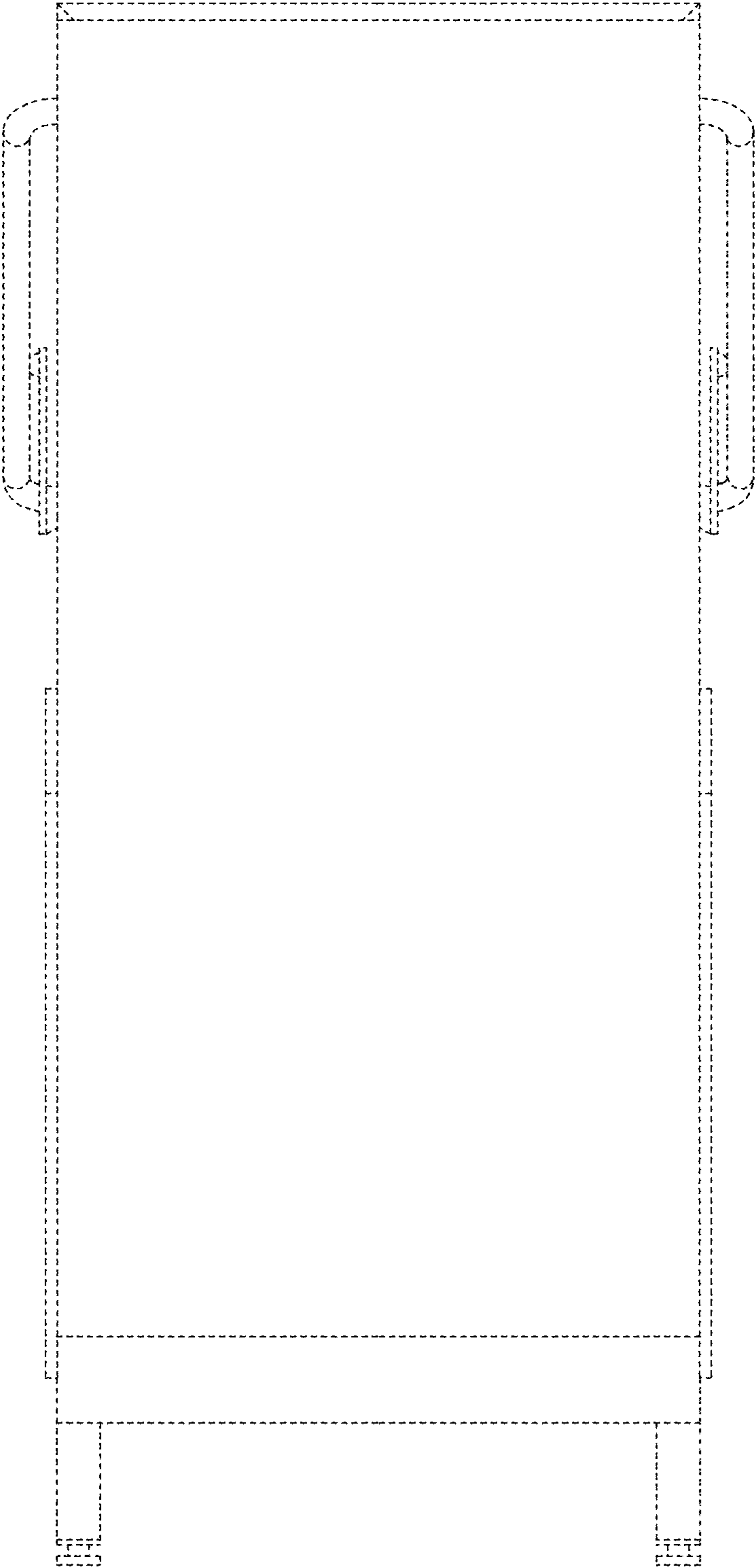


FIG. 5

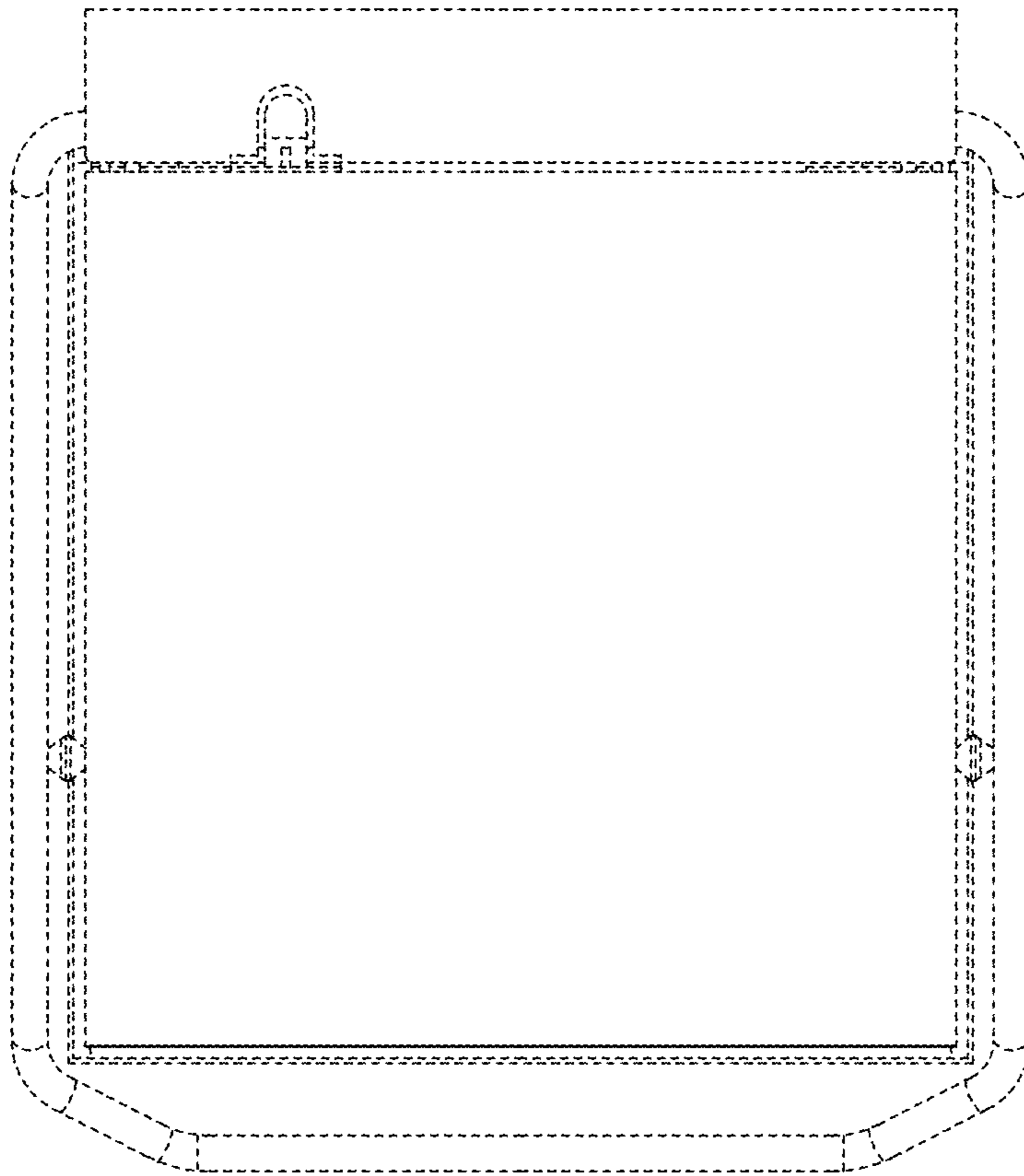


FIG. 6



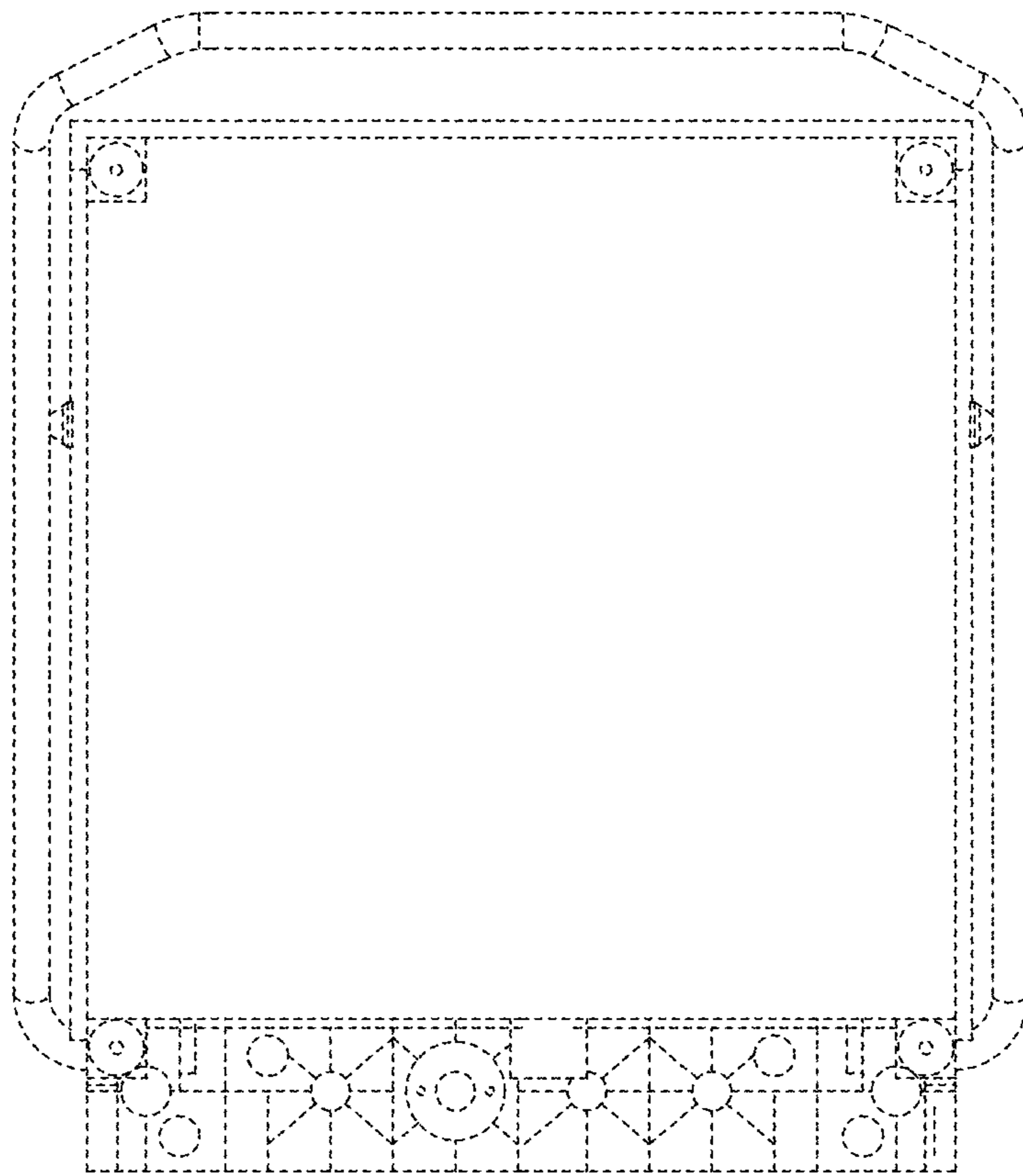


FIG. 7