



US00D912913S

(12) **United States Design Patent**  
**Wendling**

(10) **Patent No.:** **US D912,913 S**

(45) **Date of Patent:** **\*\* Mar. 9, 2021**

(54) **PET PAD**

(71) Applicant: **Allan Wendling**, New Lothrop, MI  
(US)

(72) Inventor: **Allan Wendling**, New Lothrop, MI  
(US)

(\*\*) Term: **15 Years**

(21) Appl. No.: **29/723,517**

(22) Filed: **Feb. 7, 2020**

(51) **LOC (13) Cl.** ..... **30-99**

(52) **U.S. Cl.**  
USPC ..... **D30/161**

(58) **Field of Classification Search**  
USPC ..... D30/158, 160, 161; D6/582, 583, 585,  
D6/596, 601, 682; D32/57; 119/28.5,  
119/120, 161, 163-171, 199, 526, 652,  
119/673

CPC ..... A01K 1/00; A01K 1/033; A01K 1/0281;  
A01K 1/0353; A01K 1/035; A47D 13/08;  
A47D 13/083; A47G 9/10; A47G 9/06  
See application file for complete search history.

(56) **References Cited**

**U.S. PATENT DOCUMENTS**

D232,895 S *	9/1974	Bell	.....	D6/585
D289,095 S *	3/1987	Chiodo	.....	119/165
D336,198 S *	6/1993	Gibbons	.....	D6/583
D343,087 S *	1/1994	Kaiser	.....	D6/583
D348,108 S *	6/1994	Kim	.....	D24/212
D387,512 S *	12/1997	Bergman	.....	D30/119
D417,043 S	11/1999	Byrne		
6,589,631 B1 *	7/2003	Suzuki	.....	A47G 27/0231 15/215
D480,923 S *	10/2003	Neubourg	.....	D7/554.3
D488,890 S *	4/2004	Radde	.....	D30/161
D506,098 S *	6/2005	Martin	.....	D6/596
D523,192 S	6/2006	Northrop		
D550,408 S	9/2007	Willinger et al.		

D562,463 S *	2/2008	Berndt	.....	D24/226
D581,726 S *	12/2008	Shamoon	.....	D7/387
D586,601 S *	2/2009	Robbins, III	.....	D6/583
D613,464 S	4/2010	Cook et al.		
D631,104 S *	1/2011	With	.....	D21/485
D647,447 S *	10/2011	Lu	.....	D12/203
D682,634 S *	5/2013	Datavs	.....	D7/698
D689,247 S	9/2013	Reichert		
8,656,863 B2 *	2/2014	Havluciyany	.....	A01K 1/0107 119/165
D701,061 S *	3/2014	Allen	.....	D6/582
D710,130 S *	8/2014	Chen	.....	D6/596
D713,654 S *	9/2014	Robbins, III	.....	D6/582
D745,749 S *	12/2015	Lee	.....	D30/161

(Continued)

**OTHER PUBLICATIONS**

Gefry Pet Food Silicone Bowl Mat Feeding Tray; <[https://www.amazon.com/Gefry-Food-Silicone-Grade-Feeding/dp/B07414GCK4/ref=sr\\_1\\_9?keywords=pet+mat&qid=1580492923&sr=8-9](https://www.amazon.com/Gefry-Food-Silicone-Grade-Feeding/dp/B07414GCK4/ref=sr_1_9?keywords=pet+mat&qid=1580492923&sr=8-9)>; Jul. 5, 2019; 1 page.

(Continued)

*Primary Examiner* — Sandra Snapp  
*Assistant Examiner* — Mehri Bajoul  
(74) *Attorney, Agent, or Firm* — Dinsmore & Shohl LLP

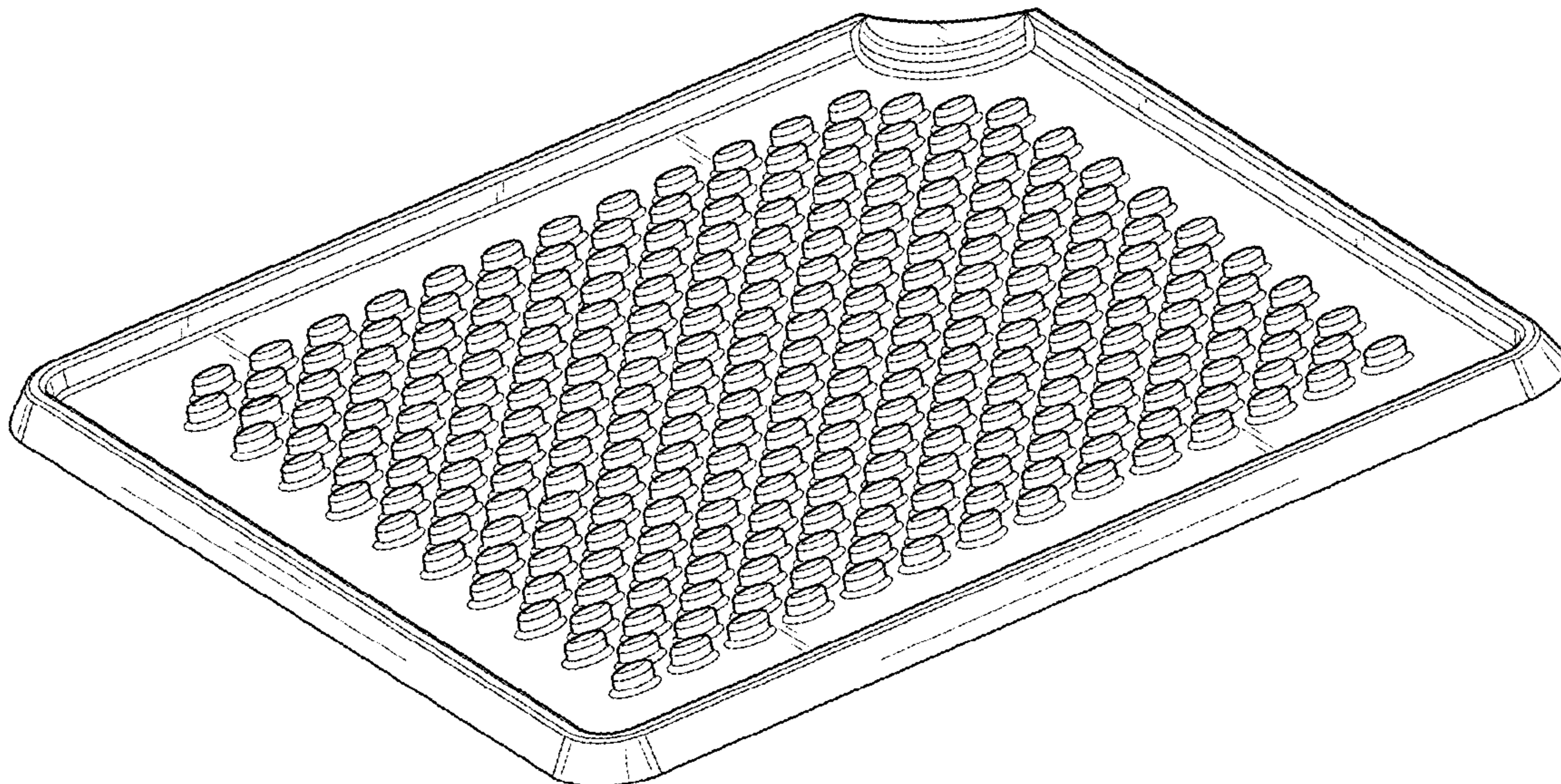
(57) **CLAIM**

The ornamental design for a pet pad, as shown.

**DESCRIPTION**

FIG. 1 is a top, front, left perspective view of a pet pad showing my new design;  
FIG. 2 is a top plan view thereof;  
FIG. 3 is a bottom plan view thereof;  
FIG. 4 is a front elevation view thereof;  
FIG. 5 is a rear elevation view thereof;  
FIG. 6 is a left side elevation view thereof; and,  
FIG. 7 is a right side elevation view thereof.

**1 Claim, 5 Drawing Sheets**



(56)

References Cited

U.S. PATENT DOCUMENTS

D751,773	S	3/2016	Gailen	
D765,922	S	9/2016	Savan	
D799,759	S	10/2017	Elliott et al.	
D811,773	S *	3/2018	Yang	D6/582
D826,480	S	8/2018	Bohline	
D840,175	S *	2/2019	Martin	D6/596
D851,337	S	6/2019	Tajima	
D856,027	S *	8/2019	Chang	D6/583
2006/0107480	A1 *	5/2006	De Grandi	A47L 23/26 15/215
2008/0105208	A1 *	5/2008	Hamrick	A01K 1/0107 119/165
2009/0130373	A1 *	5/2009	Sharir	A47L 23/266 428/95
2013/0327278	A1 *	12/2013	Reichert	A01K 1/0114 119/167
2014/0069337	A1 *	3/2014	Dunford	A01K 1/0157 119/28.5
2015/0164041	A1 *	6/2015	Takahashi	E01H 1/1206 119/161
2016/0007787	A1 *	1/2016	Johnson	A47G 27/0231 428/58

OTHER PUBLICATIONS

PetFusion ToughGrip Large Plus Dog Food Mat; <[https://www.amazon.com/PetFusion-Extra-Large-Dog-Food/dp/B07D6CQC56/ref=sr\\_1\\_29?Keywords=pet+mat&qid=1580492923&sr=8-29](https://www.amazon.com/PetFusion-Extra-Large-Dog-Food/dp/B07D6CQC56/ref=sr_1_29?Keywords=pet+mat&qid=1580492923&sr=8-29)>; Nov. 5, 2018; 1 page.

Mammoth X-Mat Foldable Pet Training Mat, 18 in.; <[https://www.chewy.com/mammoth-x-mat-foldable-pet-training/dp/108590?utm\\_source=google-product&utm\\_medium=cpc&utm\\_campaign=hg&utm\\_content=Mammoth&utm\\_term=&gclid=Cj0KCQiAvc\\_xBRCYARIsAC5QT9mh9rVjlznZBHc\\_tRuUNQv5u\\_fSq-h0jp8AubfVHumcAtfu-yaLnocaAsldEALw\\_wcB](https://www.chewy.com/mammoth-x-mat-foldable-pet-training/dp/108590?utm_source=google-product&utm_medium=cpc&utm_campaign=hg&utm_content=Mammoth&utm_term=&gclid=Cj0KCQiAvc_xBRCYARIsAC5QT9mh9rVjlznZBHc_tRuUNQv5u_fSq-h0jp8AubfVHumcAtfu-yaLnocaAsldEALw_wcB)>; Feb. 5, 2018; 1 page.

American Floor Mats Discount Drainage Rubber Mats; <[https://www.americanfloormats.com/discount-drainage-rubber-mats/?gclid=Cj0KCQiAvc\\_xBRCYARIsAC5QT91xmGL-RjPgKy-0fskL3w2hwpXEDAXPke5z1gG0mczziNEsKkO-Eu4aAsZFALw\\_wcB](https://www.americanfloormats.com/discount-drainage-rubber-mats/?gclid=Cj0KCQiAvc_xBRCYARIsAC5QT91xmGL-RjPgKy-0fskL3w2hwpXEDAXPke5z1gG0mczziNEsKkO-Eu4aAsZFALw_wcB)>; Jan. 31, 2020; 2 pages.

Petlinks Purrfect Paws Gray Cat Litter Mat; <[https://www.chewy.com/petlinks-purrfect-paws-gray-cat/dp/130160?utm\\_source=google-product&utm\\_medium=cpc&utm\\_campaign=hg&utm\\_content=Petlinks&utm\\_term=&gclid=Cj0KCQiAvc\\_xBRCYARIsAC5QT9mawjG0hBopjxNgLvWga5VCQrt5jvgBQv52iBi8Q5tPfp5gOwex8VQaAtKTEALw\\_wcB](https://www.chewy.com/petlinks-purrfect-paws-gray-cat/dp/130160?utm_source=google-product&utm_medium=cpc&utm_campaign=hg&utm_content=Petlinks&utm_term=&gclid=Cj0KCQiAvc_xBRCYARIsAC5QT9mawjG0hBopjxNgLvWga5VCQrt5jvgBQv52iBi8Q5tPfp5gOwex8VQaAtKTEALw_wcB)>; Aug. 14, 2016; 2 pages.

Costway 30"x20" Pet Potty Training Toilet Grass Mat; <<https://www.costway.com/30-x20-puppy-pet-potty-training-pee-indoor-toilet-dog-grass-pad-mat-turf-patch.html>>; Dec. 13, 2016; 1 page.

Hoki Found Large Pet Food Mat; <<https://waterproof.dog-bed.org/hoki-found-large-pet-food-mat-dog-feeding-mat.html>>; Jul. 10, 2017; 2 pages.

Hyper Pet LickiMat Soother; <<https://hyper-pet.com/product/feeding-solutions/lickimat-soother/>>; Feb. 2, 2018; 2 pages.

Pet Champion 2-Layer Sifting Cat Litter Mat Black; <<https://jet.com/product/Pet-Champion-2-Layer-Sifting-Cat-Litter-Mat-Black/90f01143276243cdaa284f0dd6797b36>>; Feb. 1, 2018; 2 pages.

iPrimio Large Cat Litter Trapper Mat Exclusive Urine/Waterproof Layer; <<https://www.amazon.com/dp/B00WPZ63Q8/?tag=thewire06-20&linkCode=xm2&ascsubtag=AwEAAAAAAAAAAQ7Y&th=1>>; Jun. 29, 2015; 1 page.

\* cited by examiner

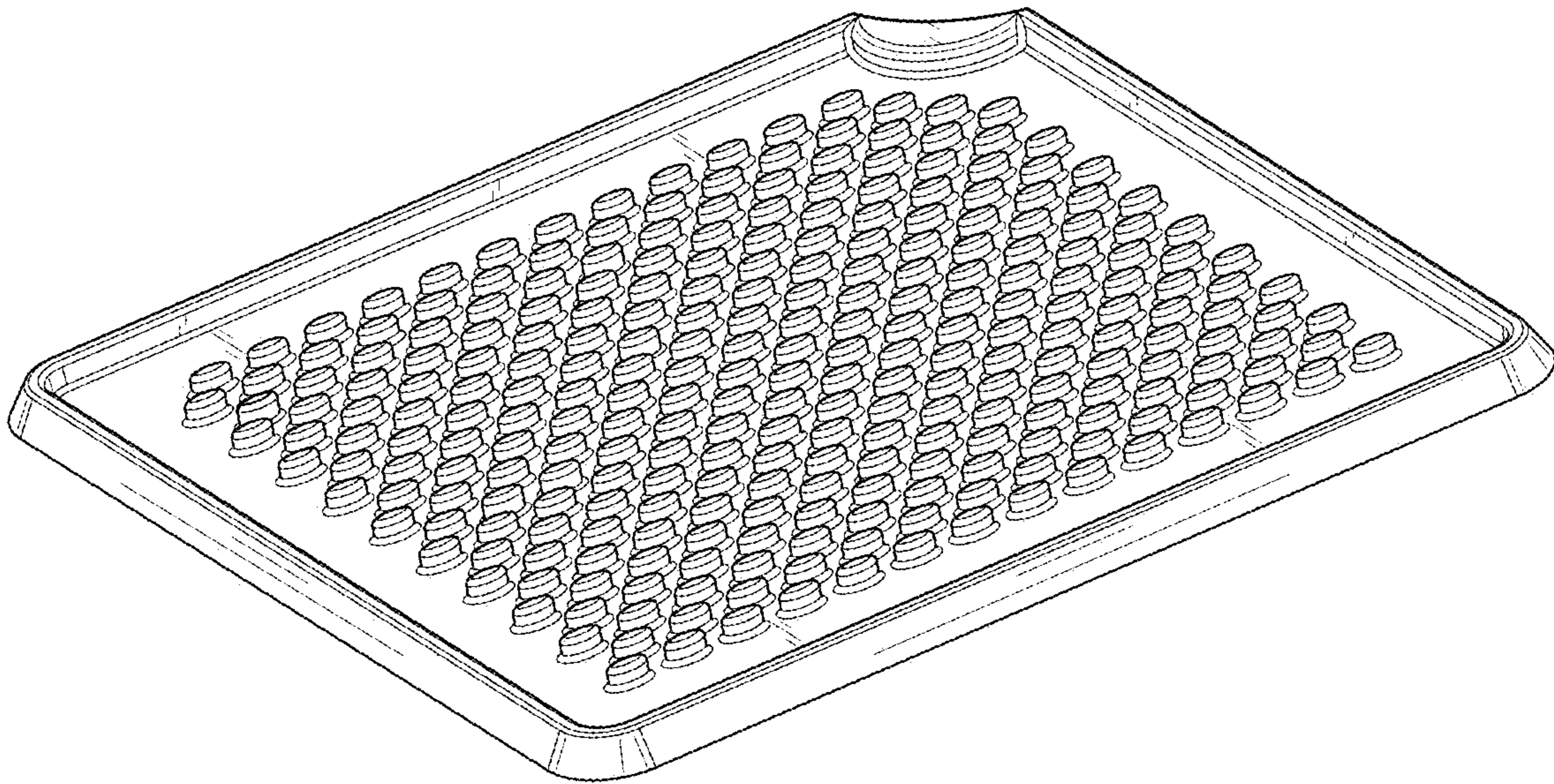


FIG. 1

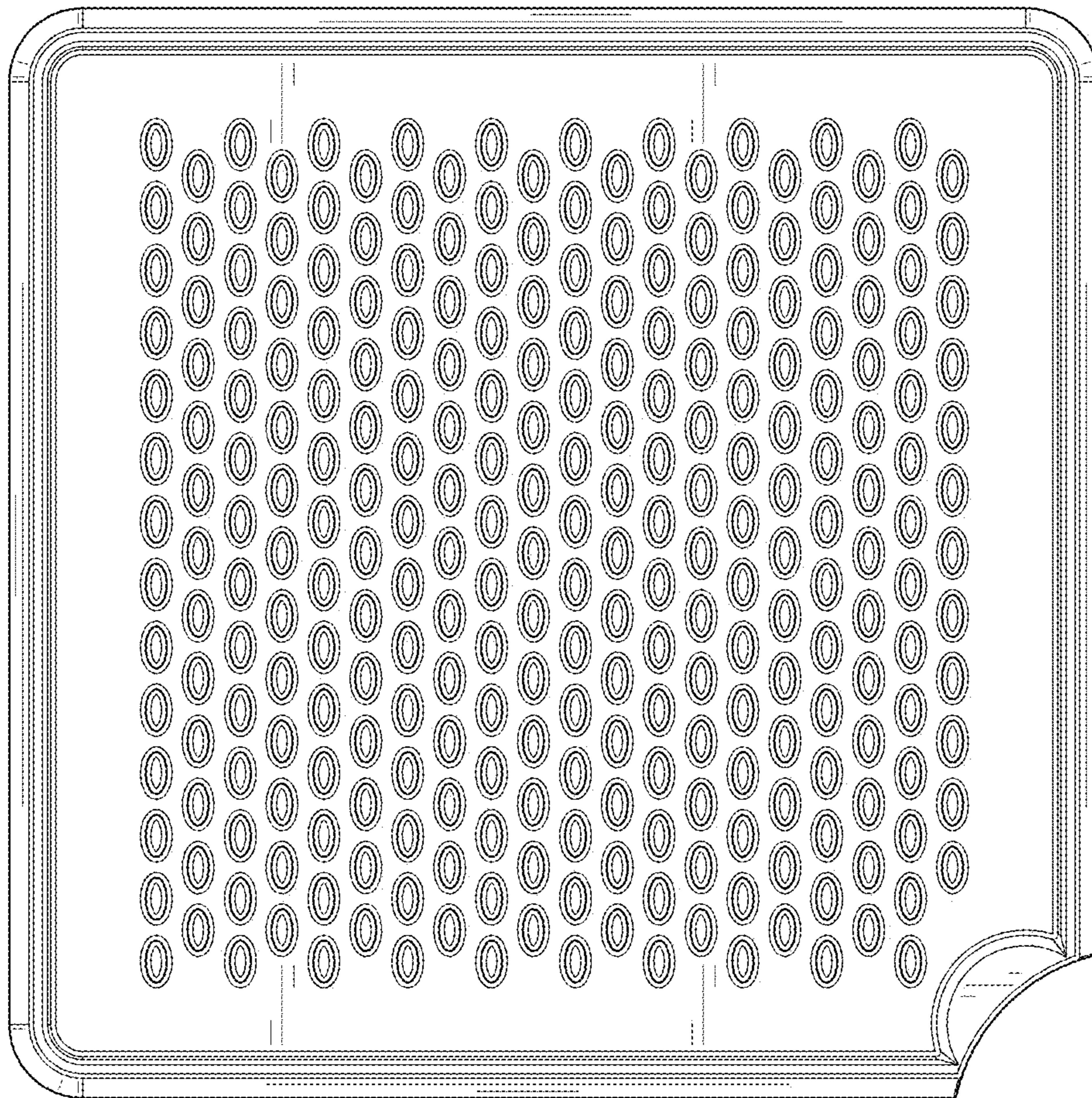


FIG. 2

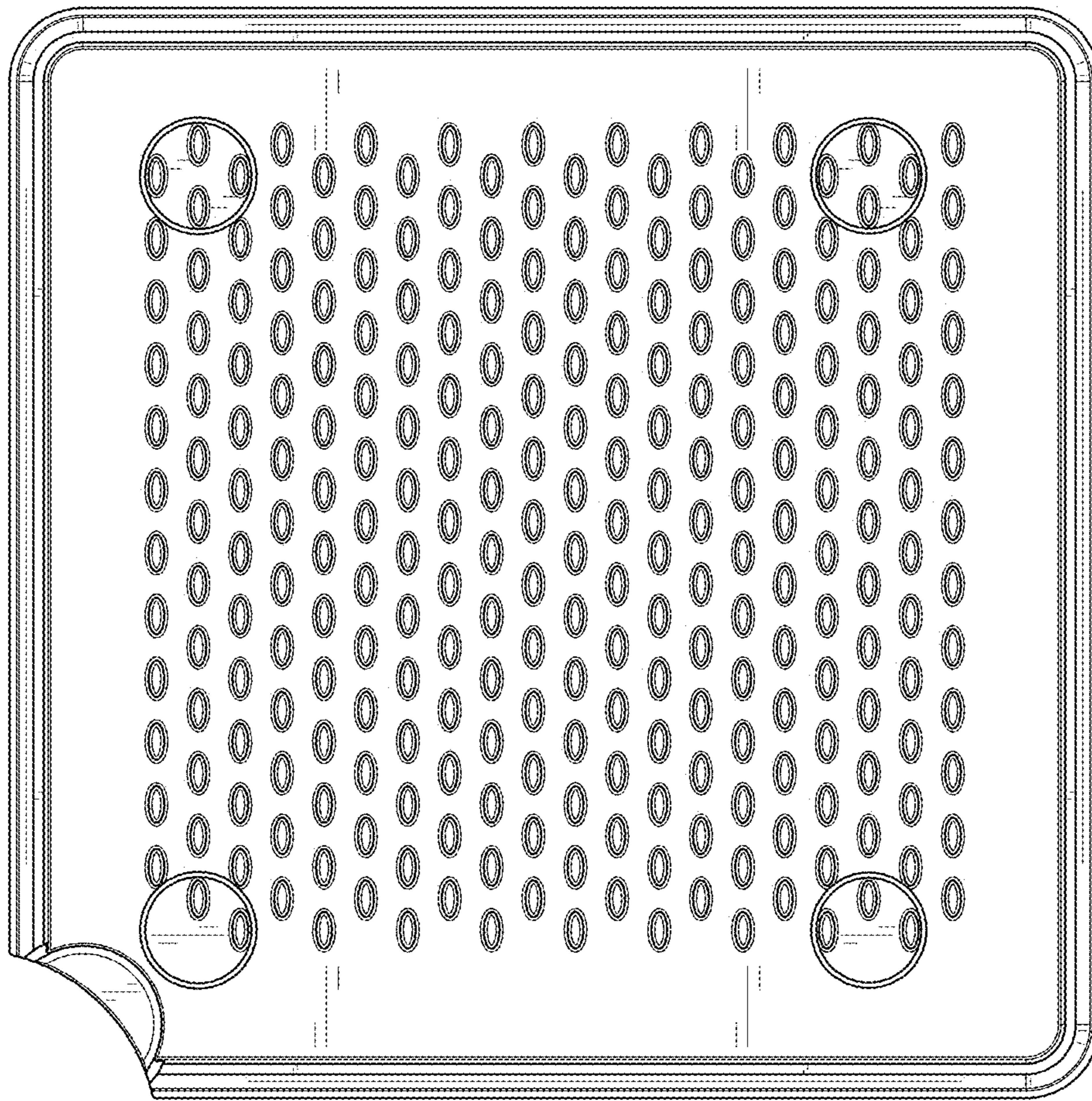


FIG. 3

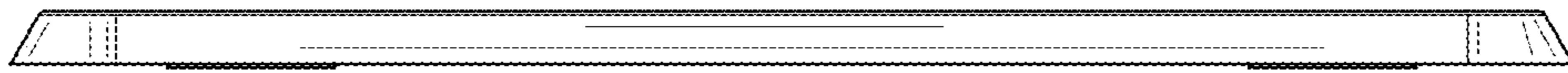


FIG. 4

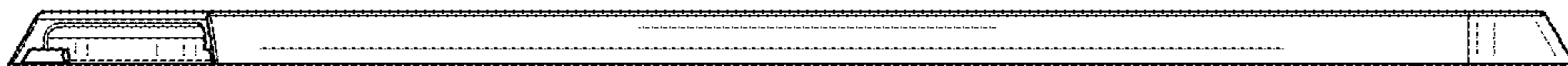


FIG. 5

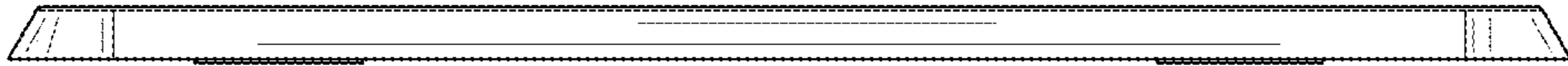


FIG. 6

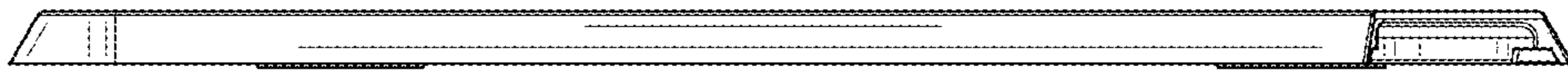


FIG. 7