



US00D912911S

(12) **United States Design Patent** (10) **Patent No.:** **US D912,911 S**
Wang (45) **Date of Patent:** **** Mar. 9, 2021**

(54) **WATER DRINKING DEVICE FOR PETS**

(71) Applicant: **Lingbo Wang**, Hubei (CN)

(72) Inventor: **Lingbo Wang**, Hubei (CN)

(**) Term: **15 Years**

(21) Appl. No.: **29/753,044**

(22) Filed: **Sep. 29, 2020**

(30) **Foreign Application Priority Data**

Aug. 18, 2020 (CN) 202030472375.4

(51) **LOC (13) Cl.** **30-03**

(52) **U.S. Cl.**
USPC **D30/132; D30/122**

(58) **Field of Classification Search**
USPC D30/123, 129, 132, 121; 119/69.5, 673, 119/57.8, 68, 74, 61.57, 78-81, 61.4, 119/57.9, 51.5, 61.5, 72, 475; 47/66.6, 47/39, 67, 83; 239/280, 200, 281, 280.5, 239/273, 16-32; 4/644, 627, 638; D7/558; D11/144, 145, 153; D99/5, 24; 27/1; D23/201, 292, 204, 205, 214-216; 248/127, 132, 137, 138, 158, 910; 215/10; D6/353, 352, 484, 360, 480, D6/488; 219/521; 329/442, 459; 99/452, 483; 40/406, 407; 261/29, 106, 261/73; 137/560, 563, 801; 55/385.2; 417/527, 313; 431/292-294, 289; 362/101; D26/6, 9
CPC ... A01K 7/00; A01K 7/02; A01K 7/06; A01K 7/04; A01K 7/005; A01K 7/022; A01K 7/025; A01K 7/027; A01K 5/0216; A01K 39/02; F04B 23/00; F04B 23/02; F04B 23/021; F04B 23/026; B05B 17/08; B05B 17/085; B01D 35/30; Y10T 137/86035; Y10T 137/8376; Y10T 137/85954-85978

See application file for complete search history.

(56) **References Cited**

U.S. PATENT DOCUMENTS

4,584,966 A * 4/1986 Moore A01K 7/00
119/73
5,501,178 A * 3/1996 Kemp A01K 5/0114
119/255
D383,571 S * 9/1997 Frodsham D30/108
6,212,804 B1 * 4/2001 Richard G09F 19/00
40/406
6,526,916 B1 * 3/2003 Perlsweig A01K 7/06
119/74
7,089,881 B2 * 8/2006 Plante A01K 5/0114
119/74
7,270,082 B2 * 9/2007 Plante A01K 7/02
119/74

(Continued)

Primary Examiner — Susan Moon Lee

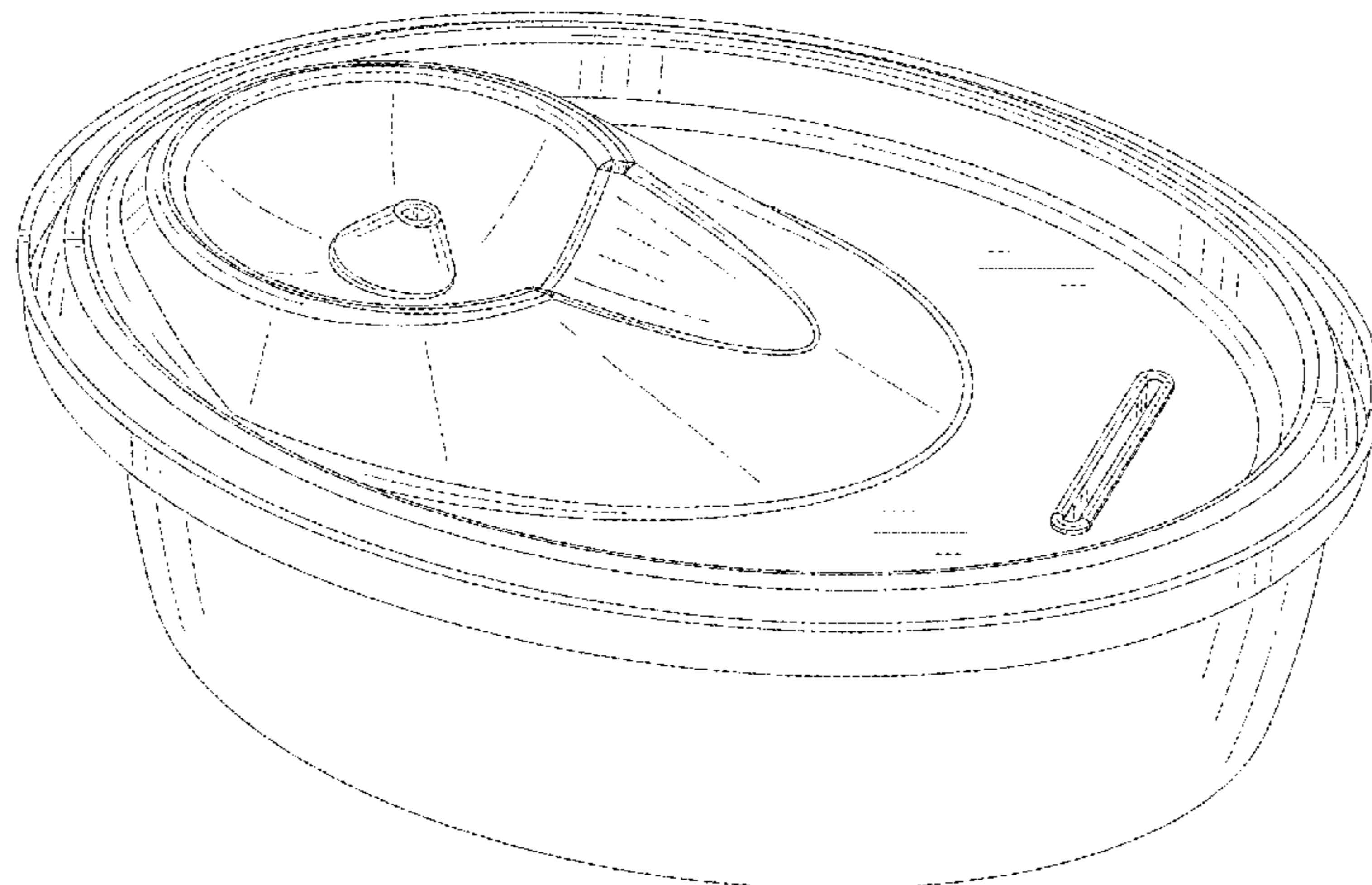
(57) **CLAIM**

The ornamental design for a water drinking device for pets, as shown and described.

DESCRIPTION

FIG. 1 is a front elevational view of a water drinking device for pets showing my new design;
FIG. 2 is a rear elevational view thereof;
FIG. 3 is a left side view thereof;
FIG. 4 is a right side view thereof;
FIG. 5 is a top plan view thereof;
FIG. 6 is a bottom plan view thereof;
FIG. 7 is a top, front and right side perspective view thereof;
FIG. 8 is a top, rear and left side perspective view thereof;
and,
FIG. 9 is a bottom, front and left side perspective view thereof.

(Continued)



The broken lines in the drawings illustrate portions of the water drinking device for pets which form no part of the claimed design.

1 Claim, 9 Drawing Sheets

(56)

References Cited

U.S. PATENT DOCUMENTS

D637,770 S 5/2011 Lipscomb et al.
 7,958,844 B1 * 6/2011 Northrop A01K 7/02
 119/74
 8,104,431 B2 * 1/2012 Klenotiz A01K 7/06
 119/72
 D659,914 S 5/2012 Lipscomb
 8,171,885 B1 * 5/2012 Northrop A01K 7/02
 119/74
 8,261,696 B1 * 9/2012 Lipscomb A01K 7/02
 119/74
 8,381,685 B2 * 2/2013 Lipscomb A01K 45/002
 119/74
 D692,623 S 10/2013 Lipscomb
 D695,972 S * 12/2013 Lipscomb A01K 7/00
 D30/132
 8,763,557 B2 * 7/2014 Lipscomb A01K 7/00
 119/74
 8,770,148 B2 * 7/2014 Lipscomb F04B 23/021
 119/74
 8,800,494 B2 * 8/2014 Lipscomb B01D 35/30
 119/74
 8,813,683 B2 * 8/2014 Lipscomb A01K 7/02
 119/74
 8,899,182 B2 * 12/2014 Lipscomb F04B 23/021
 119/74
 8,985,054 B2 * 3/2015 Lipscomb A01K 7/02
 119/74

9,497,930 B2 * 11/2016 Lipscomb A01K 7/02
 9,510,561 B2 * 12/2016 Lipscomb A01K 45/002
 9,572,323 B2 * 2/2017 Lipscomb A01K 7/02
 D801,595 S * 10/2017 Oates D30/132
 9,826,712 B2 * 11/2017 Lipscomb A01K 7/02
 D850,018 S * 5/2019 Paxson D30/132
 D850,019 S * 5/2019 Paxson D30/132
 D850,020 S * 5/2019 Paxson D30/132
 D893,110 S * 8/2020 Ni D30/132
 10,834,895 B2 * 11/2020 Chen A01K 7/025
 2005/0166853 A1 * 8/2005 Plante A01K 5/0114
 119/74
 2006/0174838 A1 * 8/2006 Plante A01K 7/02
 119/74
 2006/0236948 A1 * 10/2006 Wechsler A01K 5/0114
 119/77
 2010/0300366 A1 * 12/2010 Lipscomb A01K 45/002
 119/74
 2011/0067638 A1 * 3/2011 Lipscomb F04B 23/021
 119/74
 2011/0114026 A1 * 5/2011 Lathim A01K 7/02
 119/72
 2011/0259273 A1 * 10/2011 Lipscomb A01K 7/02
 119/74
 2012/0137979 A1 * 6/2012 Lipscomb A01K 7/02
 119/74
 2013/0087102 A1 * 4/2013 Lipscomb A01K 7/02
 119/74
 2013/0180458 A1 * 7/2013 Lipscomb A01K 45/002
 119/74
 2014/0069341 A1 * 3/2014 Lipscomb A01K 7/02
 119/74
 2014/0076242 A1 * 3/2014 Ho A01K 7/04
 119/74
 2017/0245465 A1 * 8/2017 Oates A01K 7/00
 2019/0075755 A1 * 3/2019 Imaizumi A01K 7/025
 2019/0098866 A1 * 4/2019 Paxson F04B 23/021
 2020/0100462 A1 * 4/2020 Chen A01K 7/02

* cited by examiner

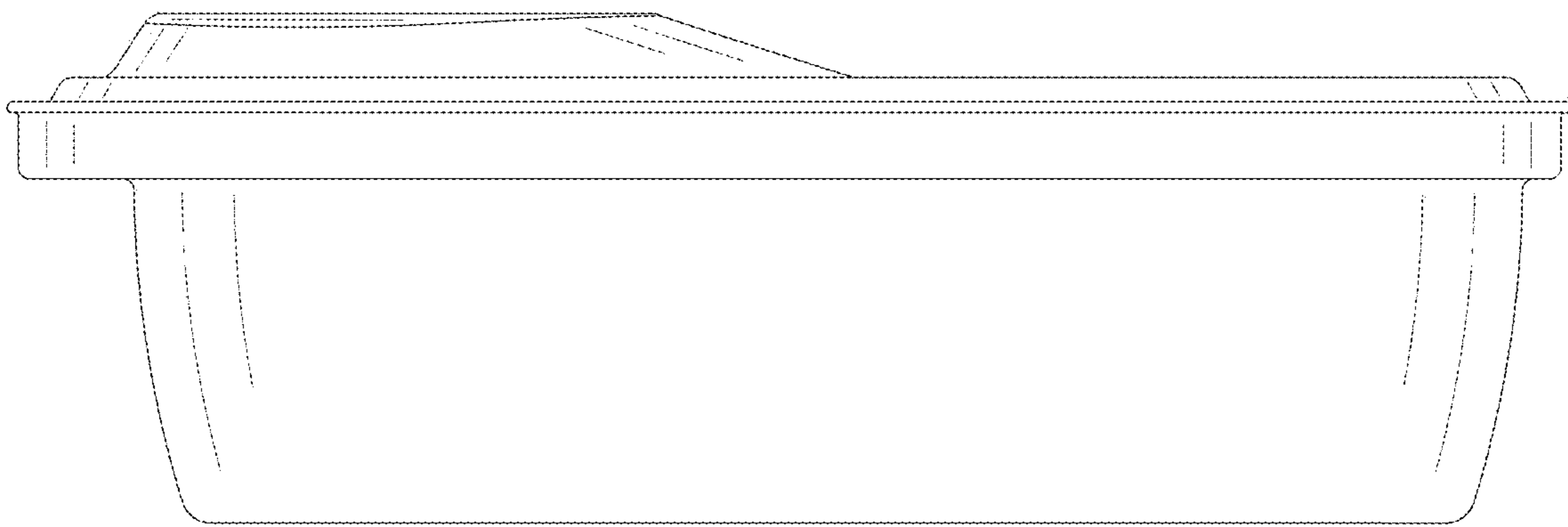


Fig.1

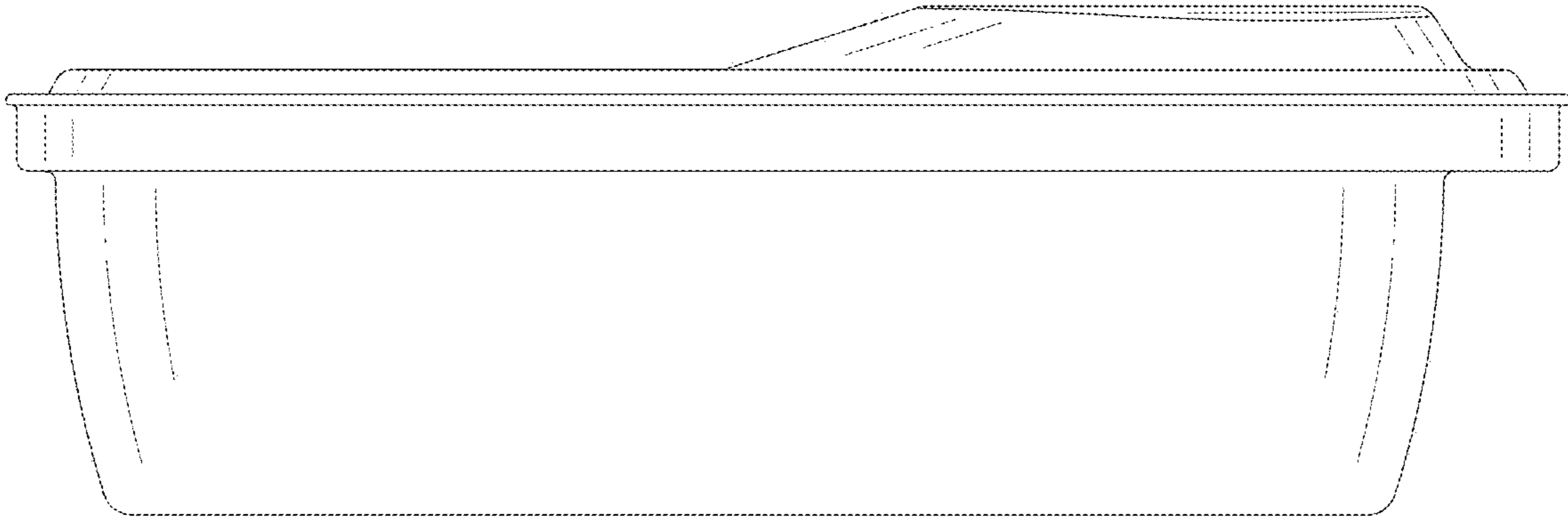


Fig.2

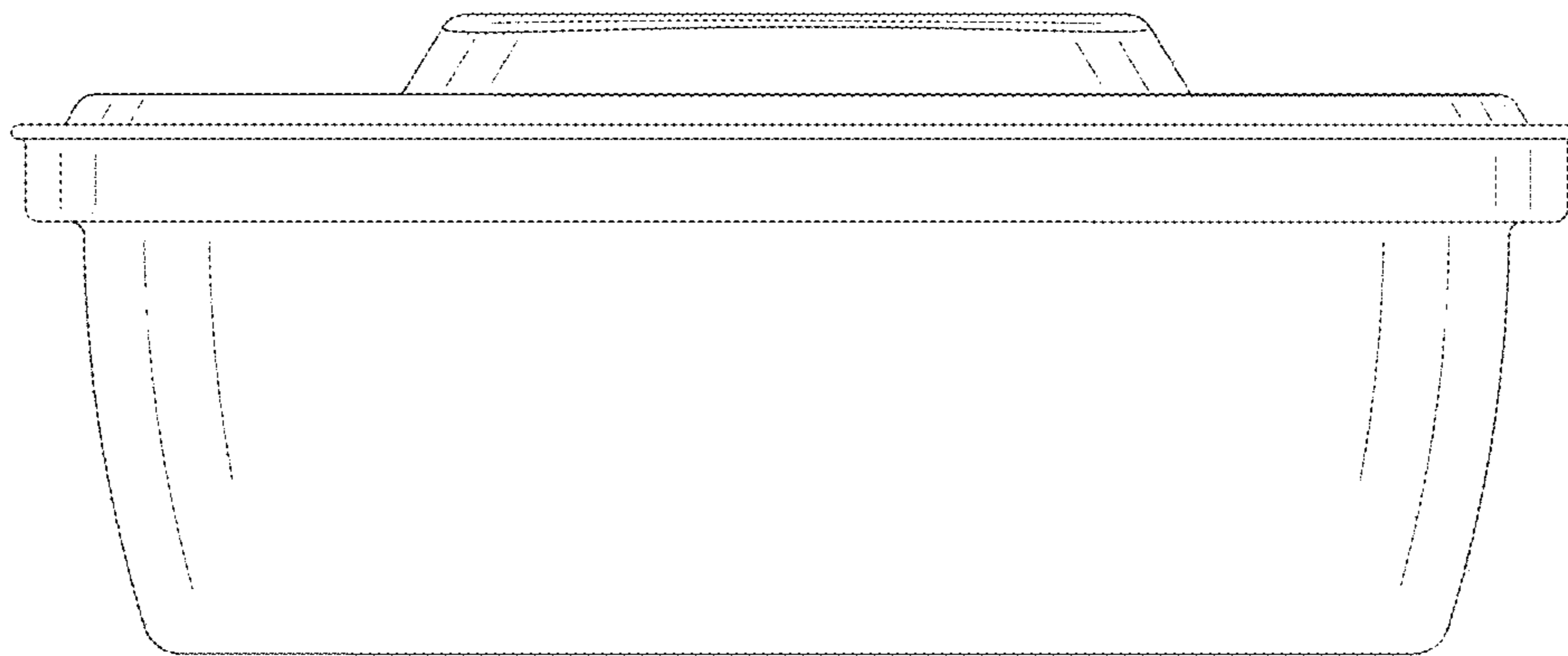


Fig.3

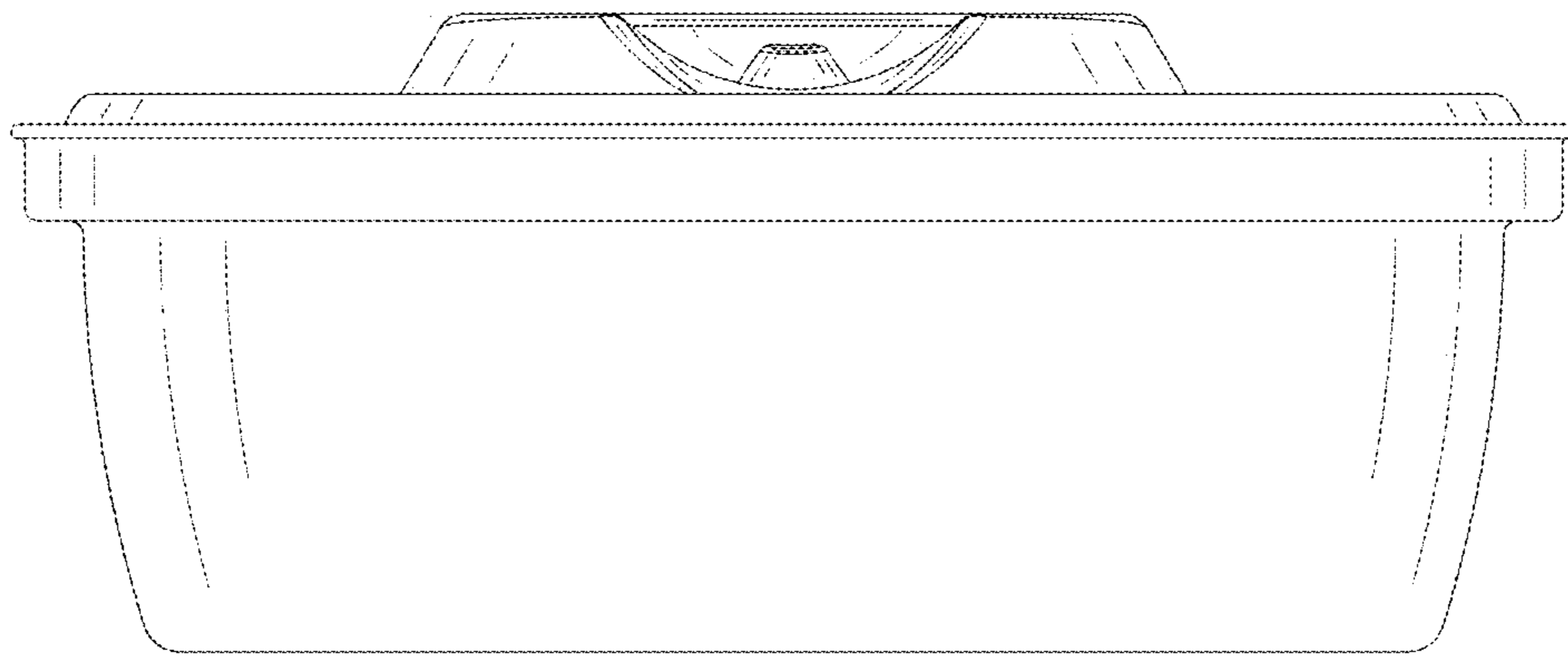


Fig.4

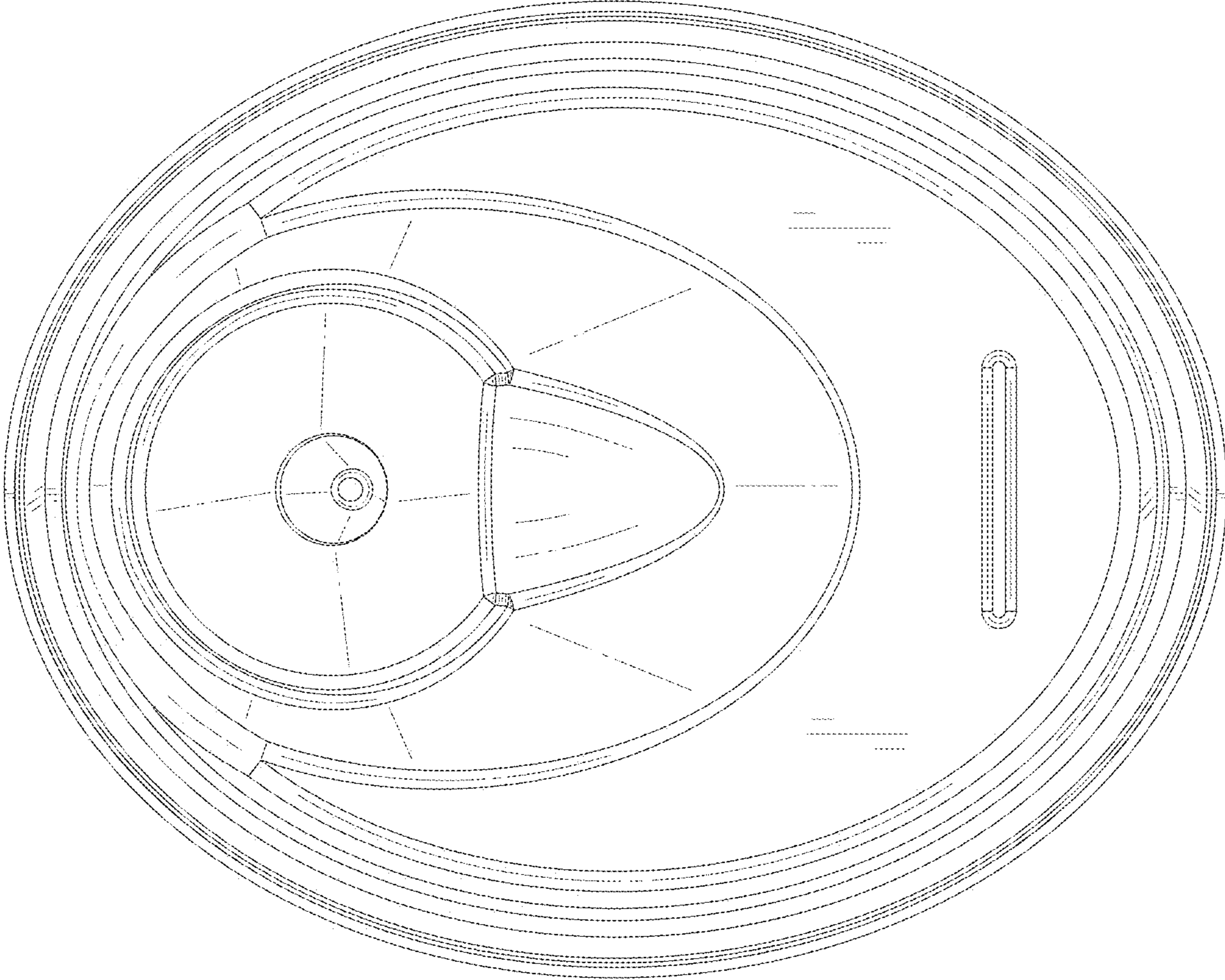


Fig.5

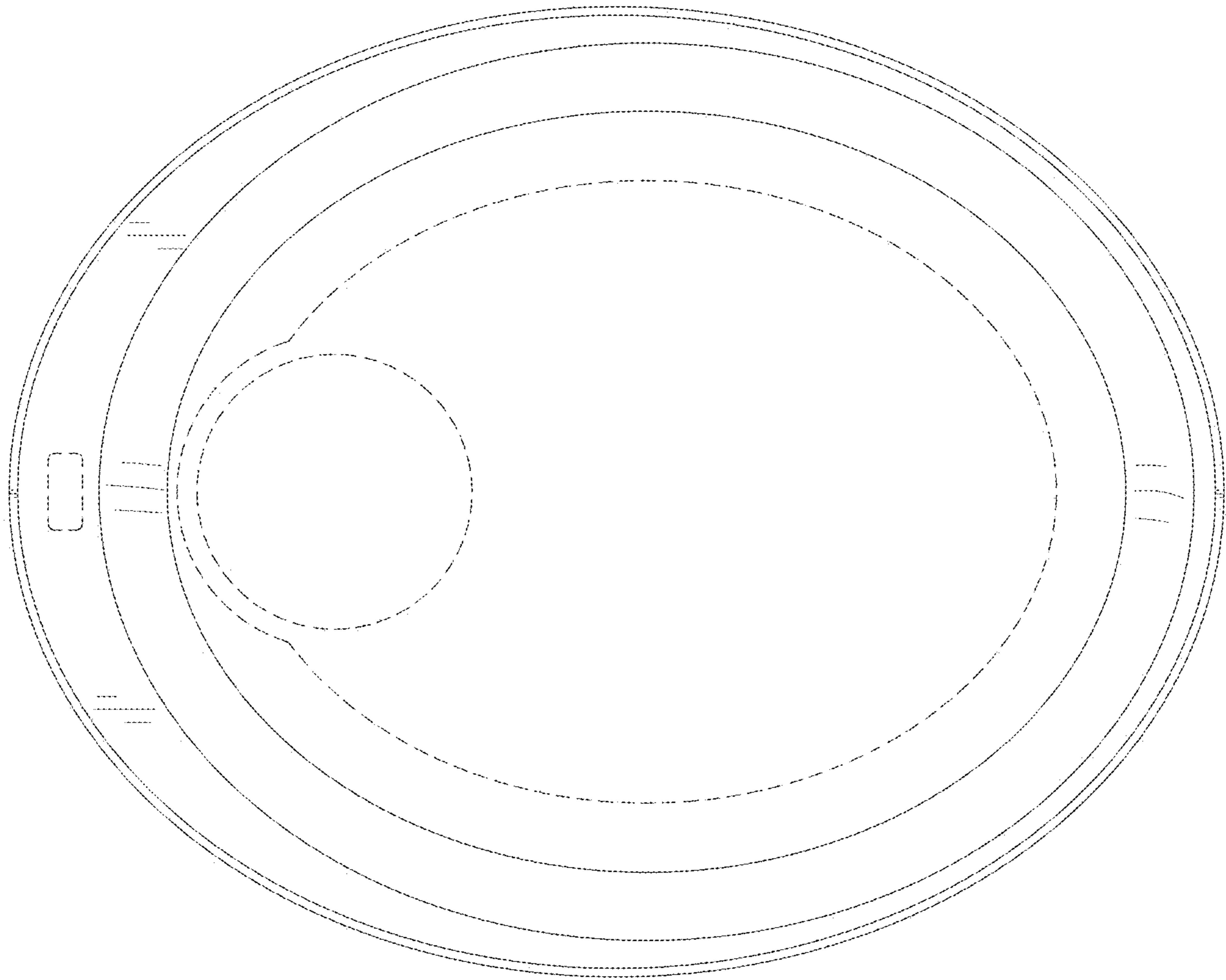


Fig.6

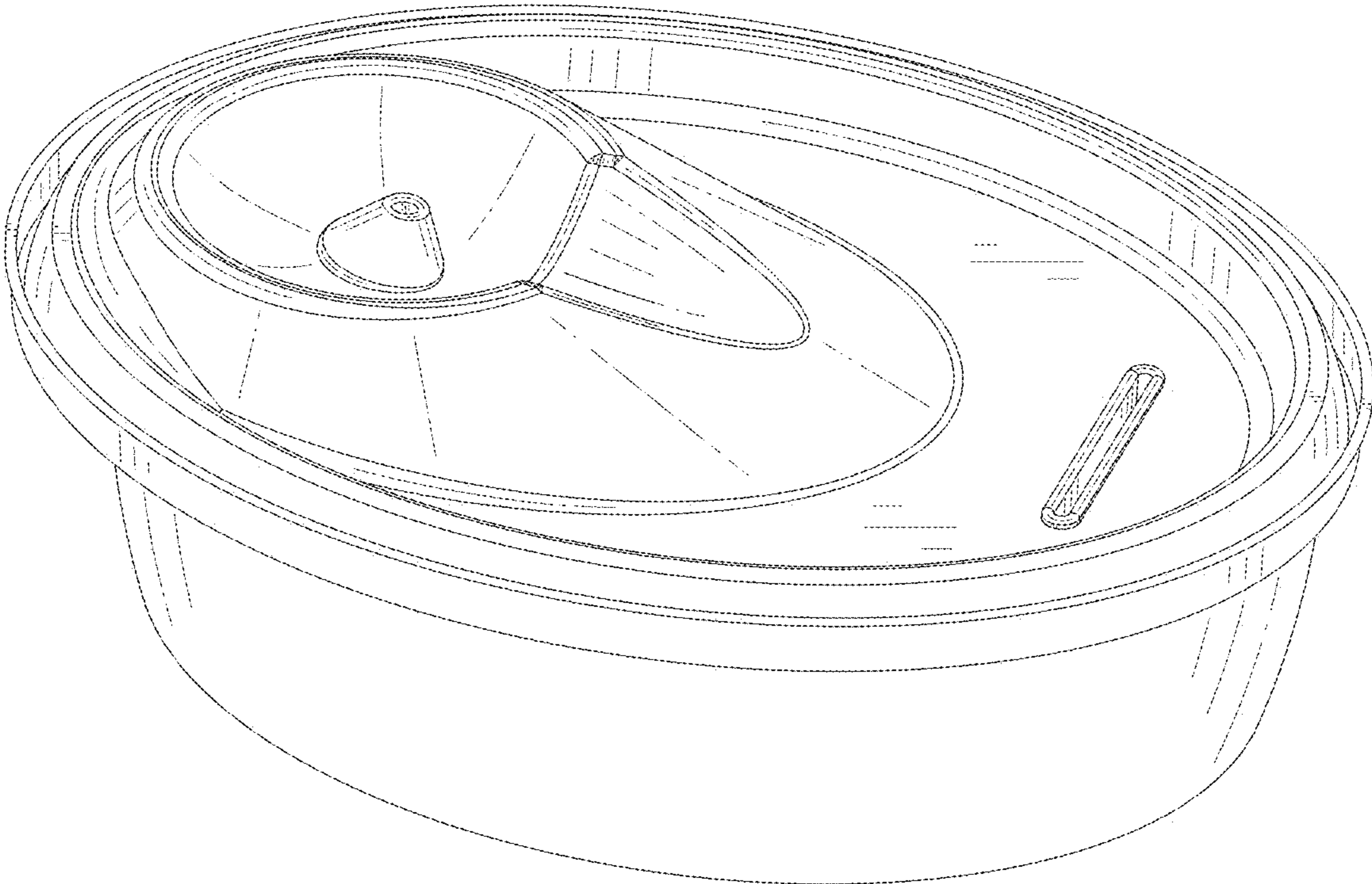


Fig.7

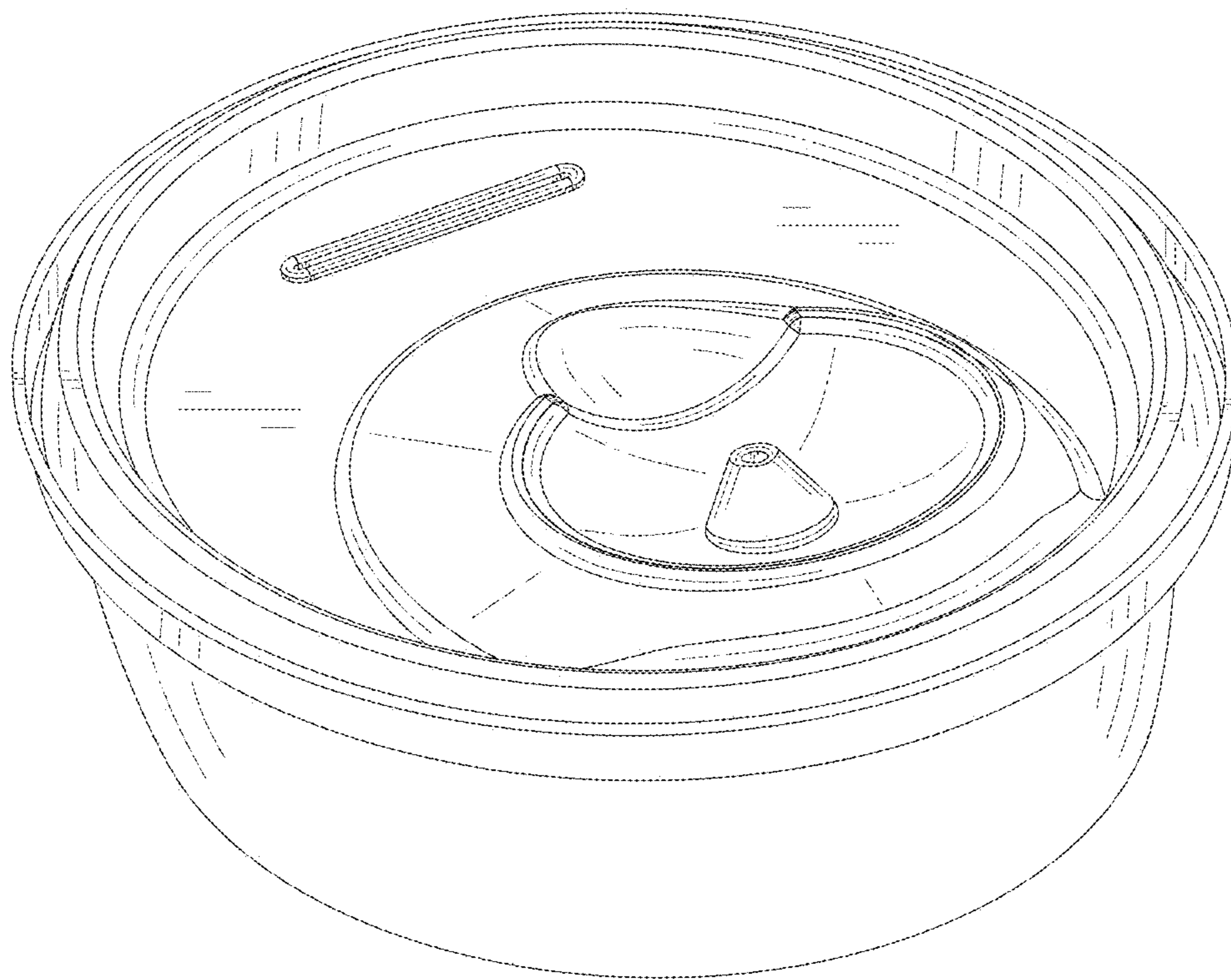


Fig.8

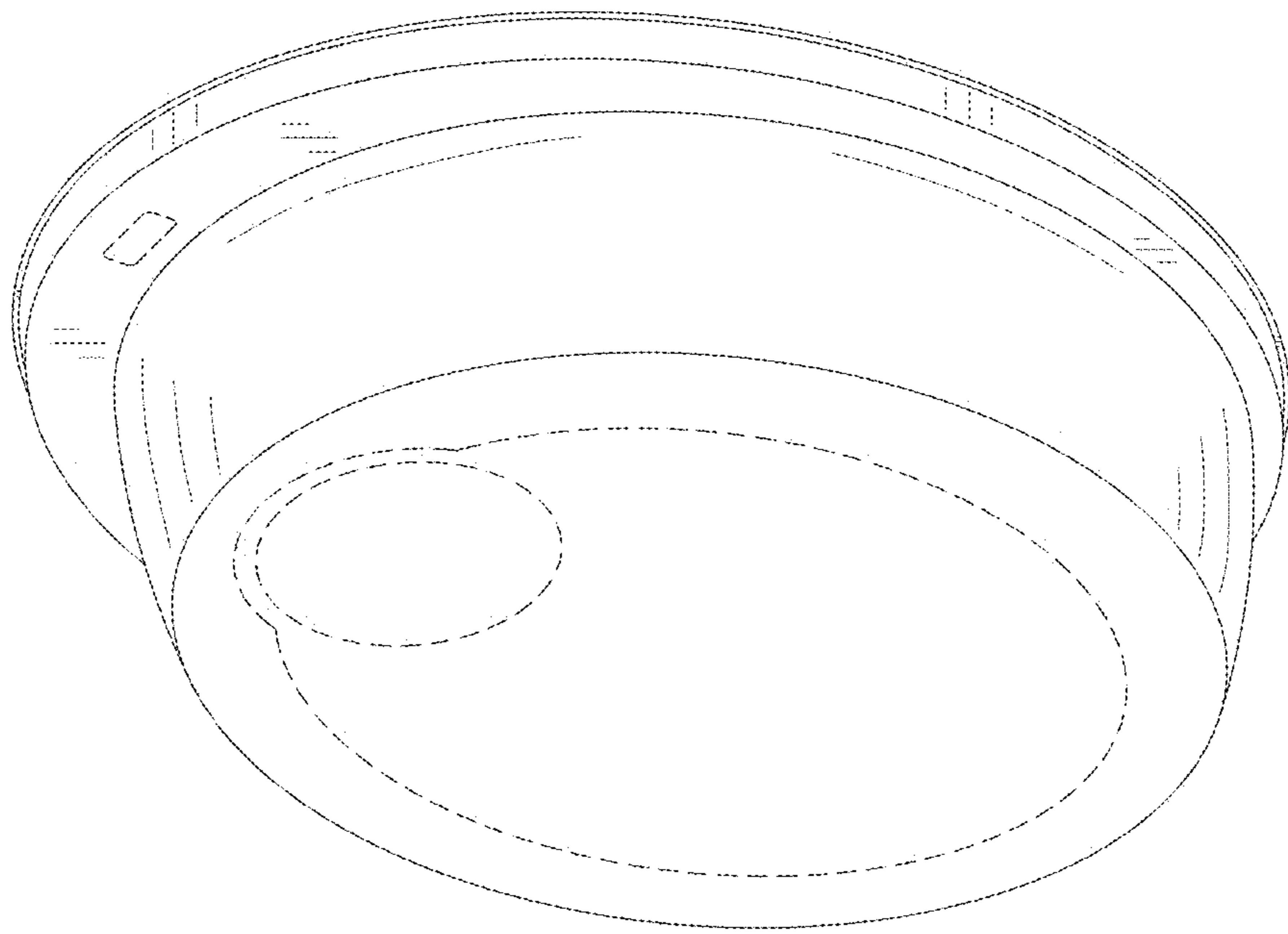


Fig.9