



US00D912910S

(12) **United States Design Patent** (10) **Patent No.:** **US D912,910 S**  
**Xue** (45) **Date of Patent:** **\*\* Mar. 9, 2021**

(54) **PET WATER DISPENSER**

(56) **References Cited**

(71) Applicant: **Zhiqi Xue**, Dongguan (CN)

U.S. PATENT DOCUMENTS

(72) Inventor: **Zhiqi Xue**, Dongguan (CN)

D126,997 S	5/1941	Bentzen et al.	
D196,777 S *	11/1963	Haynes .....	D30/132
3,884,383 A *	5/1975	Burch .....	B65D 1/26
			220/675
4,286,546 A *	9/1981	Moore .....	A01K 7/005
			119/61.54
D394,827 S *	6/1998	Ruthenberg .....	D11/155
D412,297 S *	7/1999	Roach .....	D11/152
D413,156 S *	8/1999	Robinson .....	D23/201
D443,081 S *	5/2001	Klett .....	D26/7
6,390,323 B1 *	5/2002	Alticosalian .....	A01K 5/0128
			220/495.03
6,526,916 B1 *	3/2003	Perlsweig .....	A01K 7/06
			119/74
7,270,082 B2 *	9/2007	Plante .....	A01K 7/02
			119/74
D576,249 S *	9/2008	Camacho .....	D23/201
D584,430 S *	1/2009	Furner .....	D26/9
7,699,603 B2 *	4/2010	Furner .....	F21V 23/04
			431/292

(\*\*) Term: **15 Years**

(21) Appl. No.: **29/745,590**

(22) Filed: **Aug. 7, 2020**

(51) **LOC (13) Cl.** ..... **30-03**

(52) **U.S. Cl.**

USPC ..... **D30/132**

(58) **Field of Classification Search**

USPC ..... D30/123, 129, 132, 121; 119/69.5, 673, 119/57.8, 68, 74, 61.57, 78-81, 61.4, 119/57.9, 51.5, 61.5, 72, 475; 47/66.6, 47/39, 67, 83; 239/280, 200, 281, 280.5, 239/273, 16-32, 211, 216, 288.5; 4/644, 4/627, 638; D7/558; D11/144, 145, 153; D99/5, 24; 27/1; D23/201, 292, 204, D23/205, 214-216, 221, 222, 228, 229, D23/233, 200, 212, 213; 248/127, 132, 248/137, 138, 158, 910; 215/10; D6/353, 352, 484, 360, 480, 488; 219/521; 329/442, 459; 99/452, 483; 40/406, 407; 261/29, 106, 73; 137/560, 137/563, 801; 55/385.2; 417/527, 313; 431/292-294, 289; 362/101; D26/6, 9; D32/75; D8/1

CPC ... A01K 7/00; A01K 7/02; A01K 7/06; A01K 7/04; A01K 7/005; A01K 7/022; A01K 7/025; A01K 7/027; A01K 5/0216; A01K 39/02; F04B 23/00; F04B 23/02; F04B 23/021; F04B 23/026; B05B 17/08; B05B 17/085; B01D 35/30; Y10T 137/86035; Y10T 137/8376; Y10T 137/85954-85978

See application file for complete search history.

(Continued)

*Primary Examiner* — Susan Moon Lee

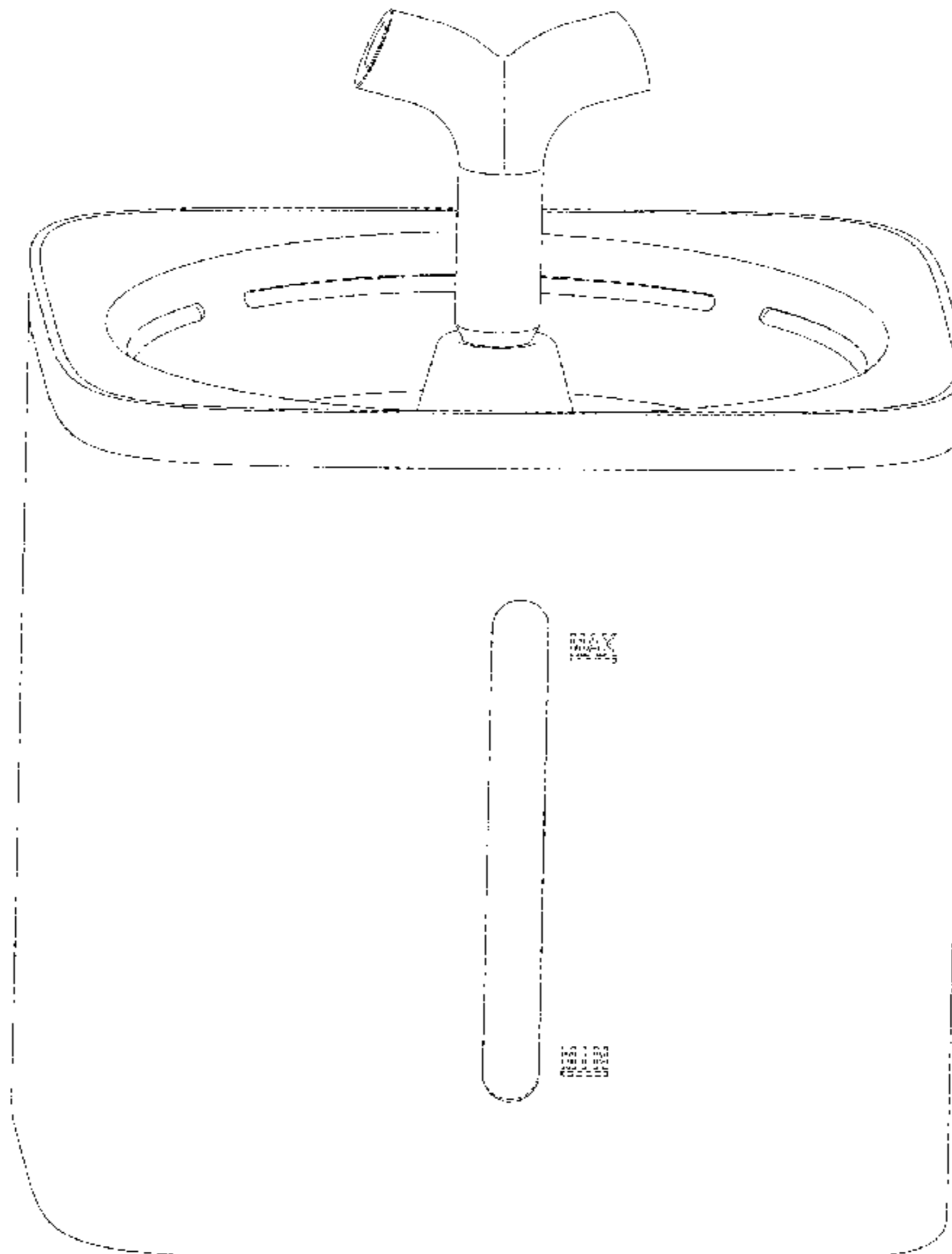
(57) **CLAIM**

The ornamental design for a pet water dispenser, as shown and described.

**DESCRIPTION**

FIG. 1 is a perspective view of a pet water dispenser showing my new design;  
 FIG. 2 is a front elevational view thereof;  
 FIG. 3 is a rear elevational view thereof;  
 FIG. 4 is a left side elevational view thereof;  
 FIG. 5 is a right side elevational view thereof;  
 FIG. 6 is a top plan view thereof; and,  
 FIG. 7 is a bottom plan view thereof.  
 The broken lines throughout the drawing figures depict portions of the pet water dispenser that form no part of the claimed design.

**1 Claim, 7 Drawing Sheets**



(56)

**References Cited**

## U.S. PATENT DOCUMENTS

8,096,266 B2 \* 1/2012 Rowe ..... A01K 7/022  
119/74  
D674,464 S \* 1/2013 Wilder ..... D23/209  
D738,579 S 9/2015 Owens et al.  
D820,533 S \* 6/2018 Huang ..... D30/132  
10,165,753 B1 \* 1/2019 Huang ..... A01K 7/02  
10,264,761 B1 \* 4/2019 Huang ..... A01K 7/02  
D849,336 S \* 5/2019 Huang ..... D30/132  
D849,337 S \* 5/2019 Huang ..... D30/132  
D850,731 S \* 6/2019 Wu ..... D30/132  
D871,683 S 12/2019 Lee  
D872,381 S 1/2020 Lee  
D893,810 S \* 8/2020 Wu ..... D30/132  
D894,500 S \* 8/2020 Cui ..... D30/132  
10,834,895 B2 \* 11/2020 Chen ..... A01K 7/025  
2006/0027179 A1 \* 2/2006 Welbourne ..... A01K 7/06  
119/75  
2006/0174838 A1 \* 8/2006 Plante ..... A01K 7/02  
119/74  
2010/0095897 A1 \* 4/2010 Rowe ..... A01K 7/022  
119/72  
2013/0174790 A1 \* 7/2013 Lipscomb ..... A01K 7/00  
119/74  
2013/0291802 A1 \* 11/2013 Carpentieri ..... A01K 7/027  
119/72  
2014/0076242 A1 \* 3/2014 Ho ..... A01K 7/04  
119/74  
2019/0075755 A1 \* 3/2019 Imaizumi ..... A01K 7/025  
2020/0085013 A1 \* 3/2020 Youn ..... B01D 29/01  
2020/0085014 A1 \* 3/2020 Yoo ..... A01K 7/022  
2020/0087135 A1 \* 3/2020 Youn ..... B01D 29/01  
2020/0100462 A1 \* 4/2020 Chen ..... A01K 7/02

\* cited by examiner

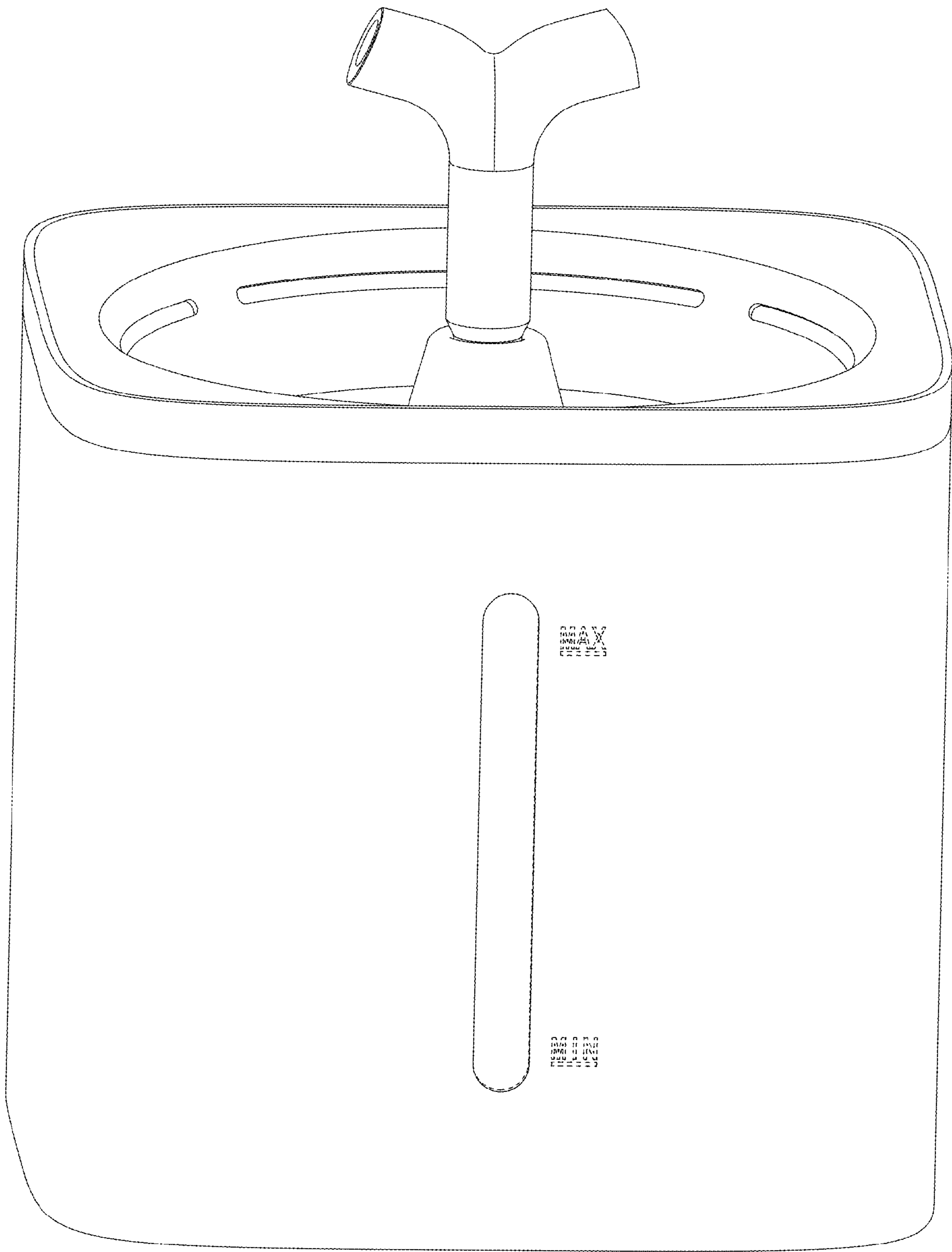


FIG.1

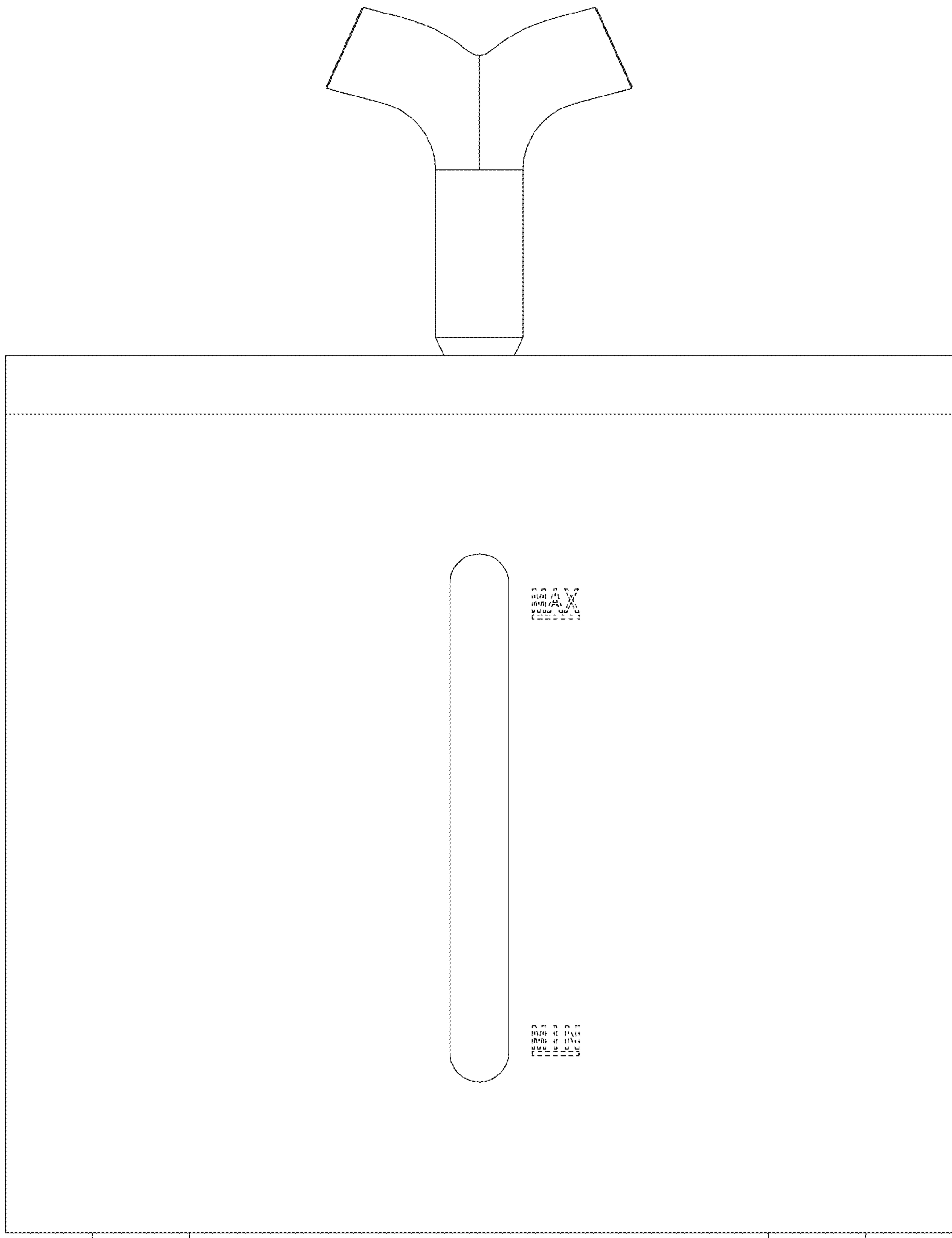


FIG.2

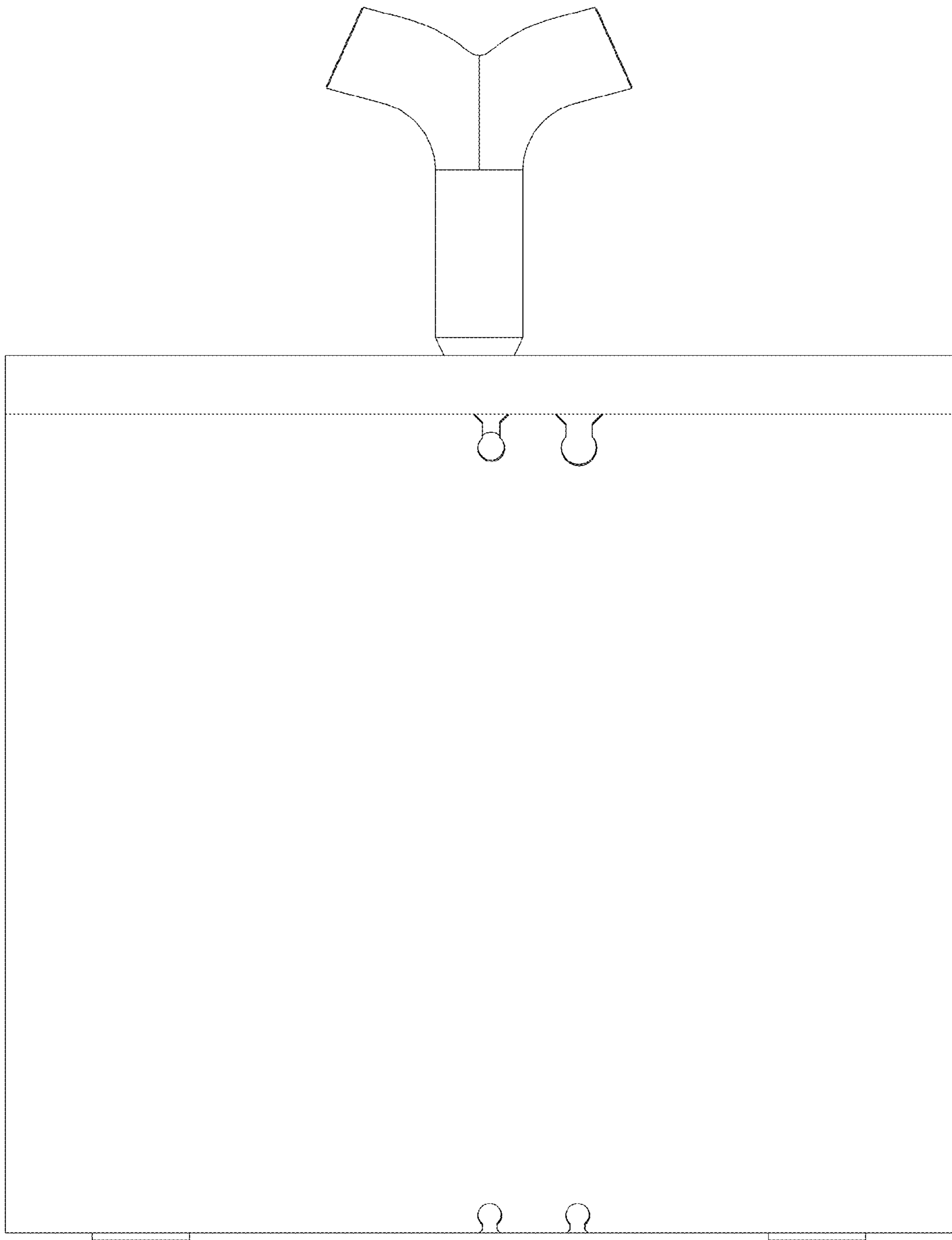


FIG.3

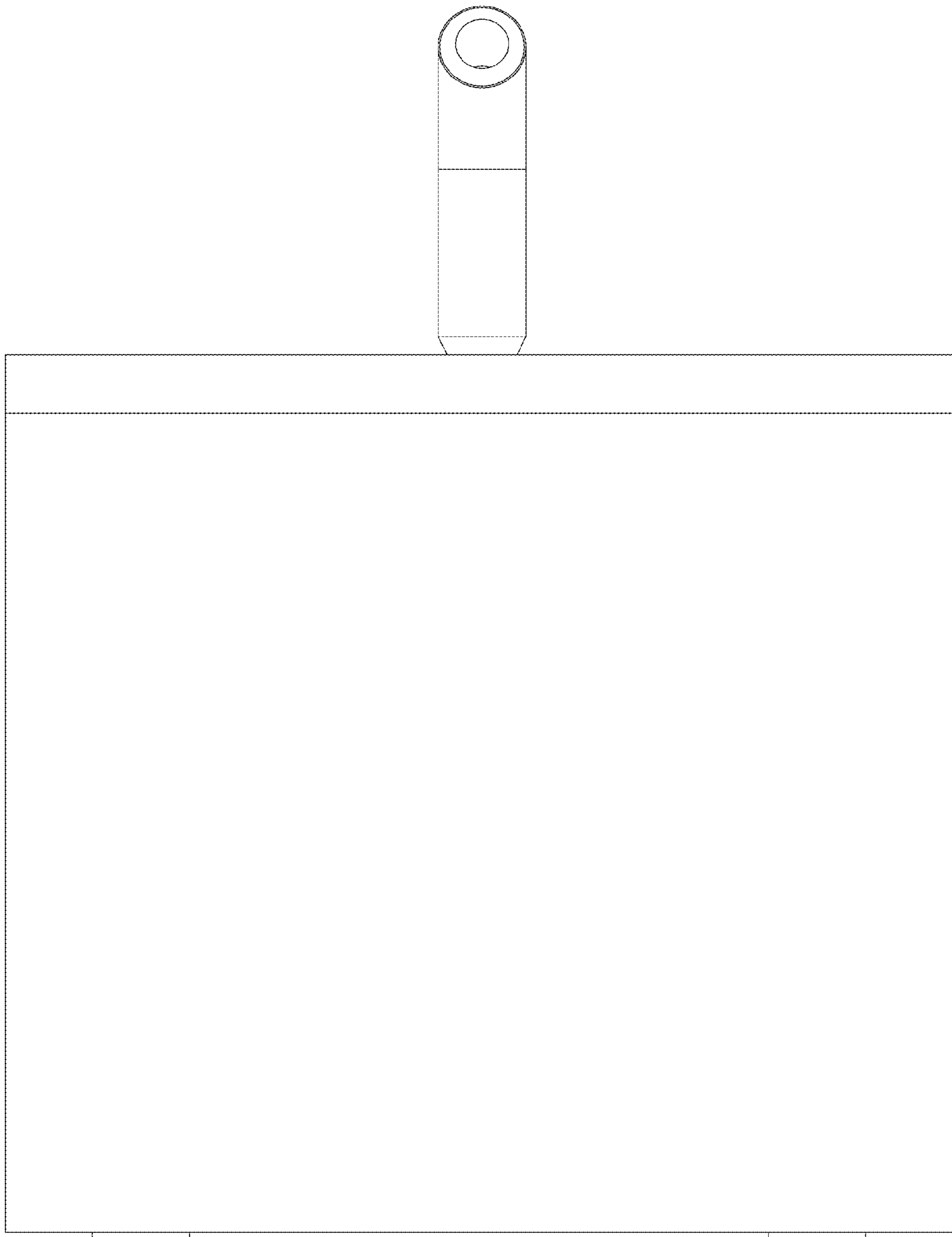


FIG.4

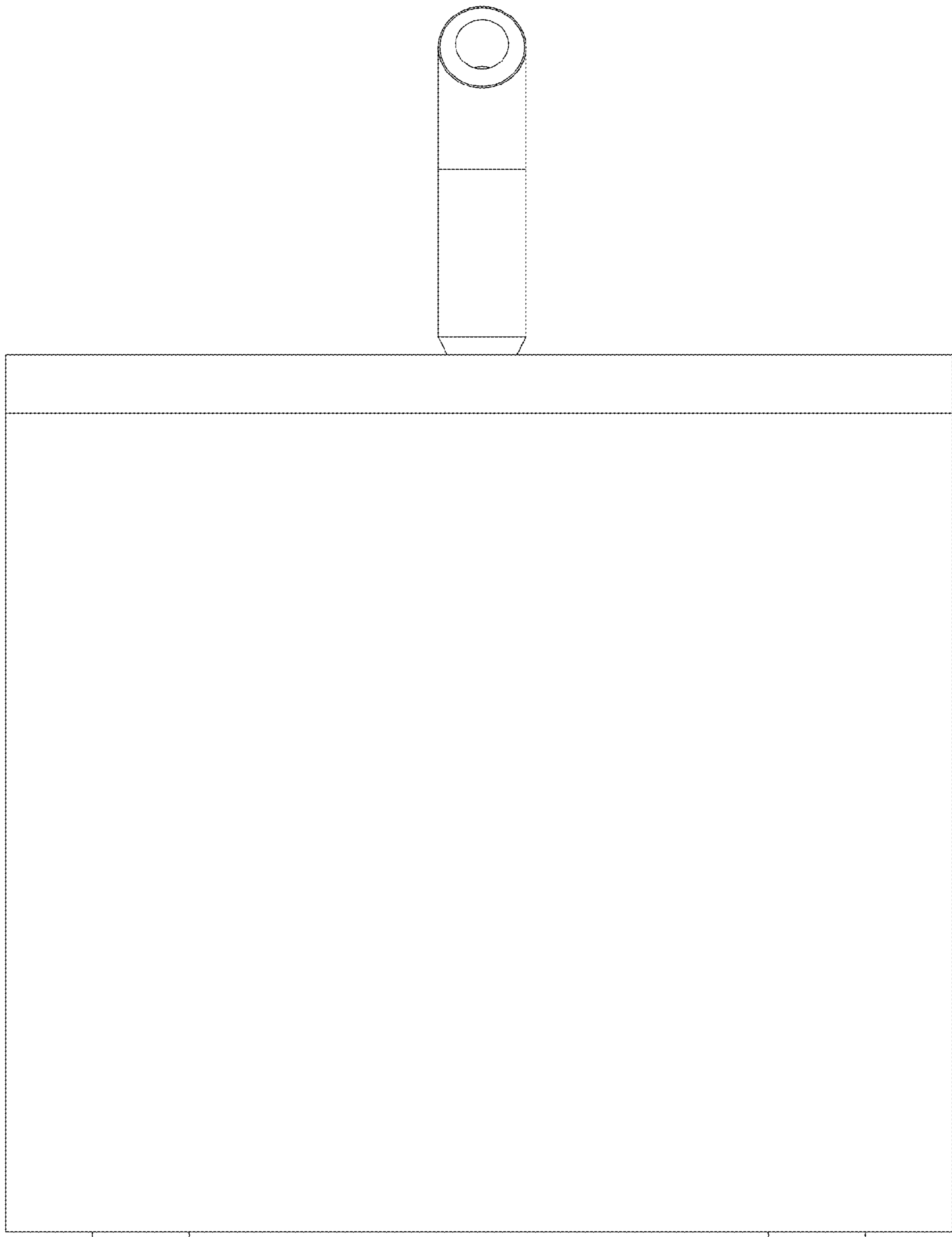


FIG.5

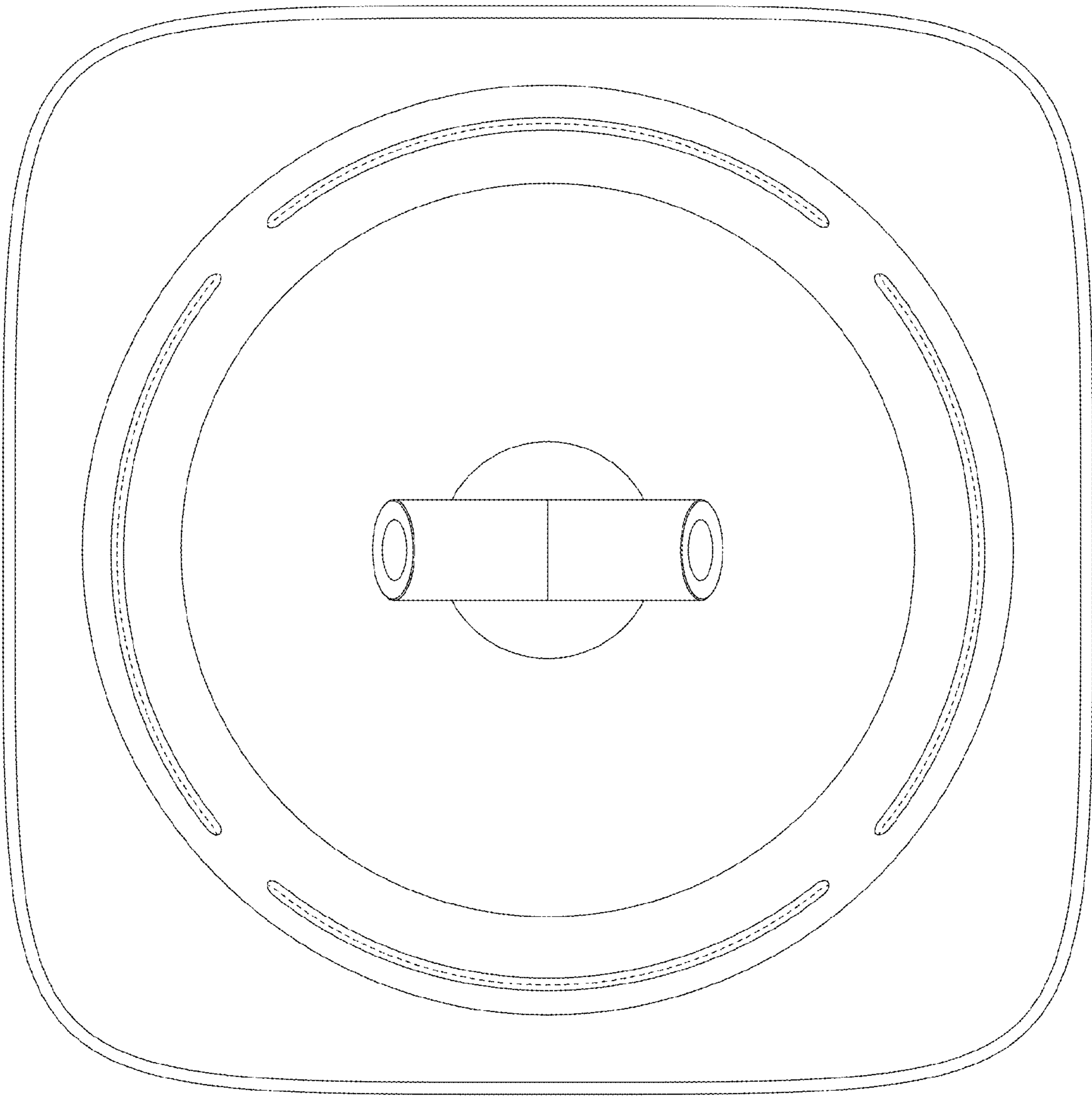


FIG.6



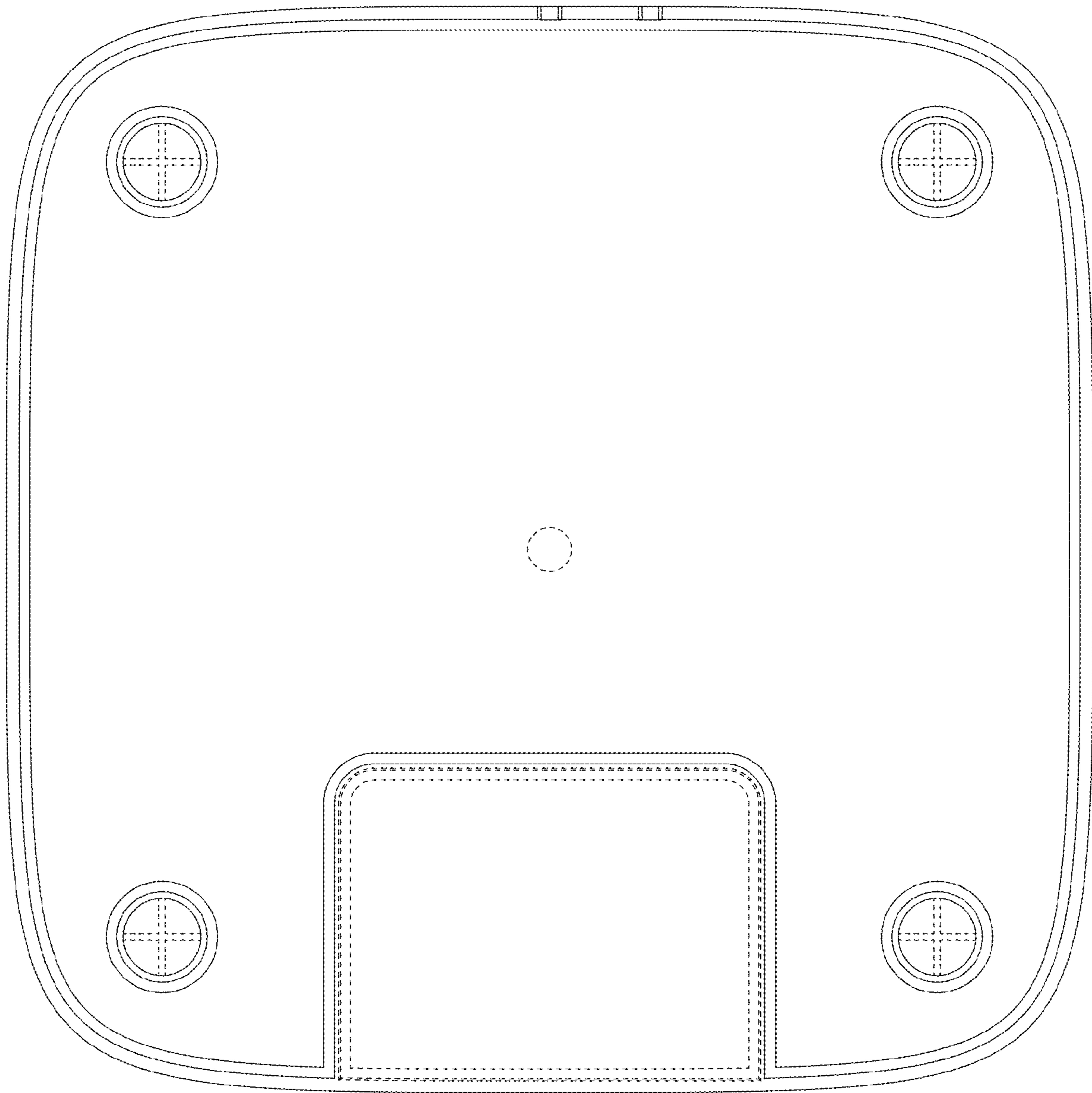


FIG.7