



US00D912909S

(12) **United States Design Patent**
Wu et al.

(10) **Patent No.: US D912,909 S**
(45) **Date of Patent: ** Mar. 9, 2021**

(54) **FEEDER**

(71) Applicant: **Beijing Kitten & Puppy Technology Co., Ltd.**, Beijing (CN)

(72) Inventors: **Jin Wu**, Beijing (CN); **Xin Hu**, Beijing (CN)

(73) Assignee: **Beijing Kitten & Puppy Technology Co., Ltd.**, Beijing (CN)

(**) Term: **15 Years**

(21) Appl. No.: **29/721,402**

(22) Filed: **Jan. 21, 2020**

(30) **Foreign Application Priority Data**

Jul. 22, 2019 (CN) 201930390803.6

(51) **LOC (13) Cl.** **30-07**

(52) **U.S. Cl.**
USPC **D30/122**

(58) **Field of Classification Search**
USPC D30/121, 122, 129-133, 120; 119/61.5, 119/51.01, 61.56, 51.03, 59, 62, 63, 51.5, 119/57.8, 74, 61.54, 61.55, 53, 53.5, 75, 119/56.2, 51.02, 51.11, 51.12, 57.1, 52.1, 119/515; 312/204; 248/151, 188; 108/156, 153.1-157; 220/23.87, 630, 220/737, 743, 9.4, 495.01, 574, 212, 255, 220/23.83; 206/515; D7/586, 543, D7/550.1, 587, 505, 584, 545, 500, D7/553.1-553.8, 546, 555, 556, 504, 565, D7/562, 602, 605, 312, 313, 320, 307, D7/306, 309, 354, 311, 399, 397, 323, D7/332, 331, 347, 346, 322, 318, 317, D7/316, 619.1; D9/429; 43/109; D22/122; 99/430, DIG. 15, 280, 285, 99/312; 222/209, 131, 363, 349, 517, 222/153.13, 401, 1, 146.5, 23, 54, 64, 51, 222/156, 399, 400.8; 219/438, 439, 441, 219/385, 386, 402, 407; 210/94, 184, 210/474, 477

CPC A01K 5/02; A01K 5/0225; A01K 5/0114; A01K 5/025; A01K 5/0266; A01K 5/0275; A01K 5/0283; A01K 5/0291; A01K 5/0258; A01K 5/0142; A01K 5/0233; A01K 29/00; A01K 7/00; G01F 11/24; G01F 23/02; B67D 1/0425; B67D 1/04; B67D 1/00; B67D 1/02; B67D 1/0871; B67D 1/0802; A47J 41/0033; A47J 41/005; A47J 41/0088; A47J 41/0094; A47J 31/04; A47J 31/053; B05B 11/00; B05B 11/0002; B05B
(Continued)

(56) **References Cited**

U.S. PATENT DOCUMENTS

4,279,221 A * 7/1981 Arvizu A01K 5/0291
119/51.11
4,315,483 A * 2/1982 Scheidler A01K 5/0291
119/51.11

(Continued)

Primary Examiner — Susan Moon Lee

(74) *Attorney, Agent, or Firm* — Bay State IP, LLC

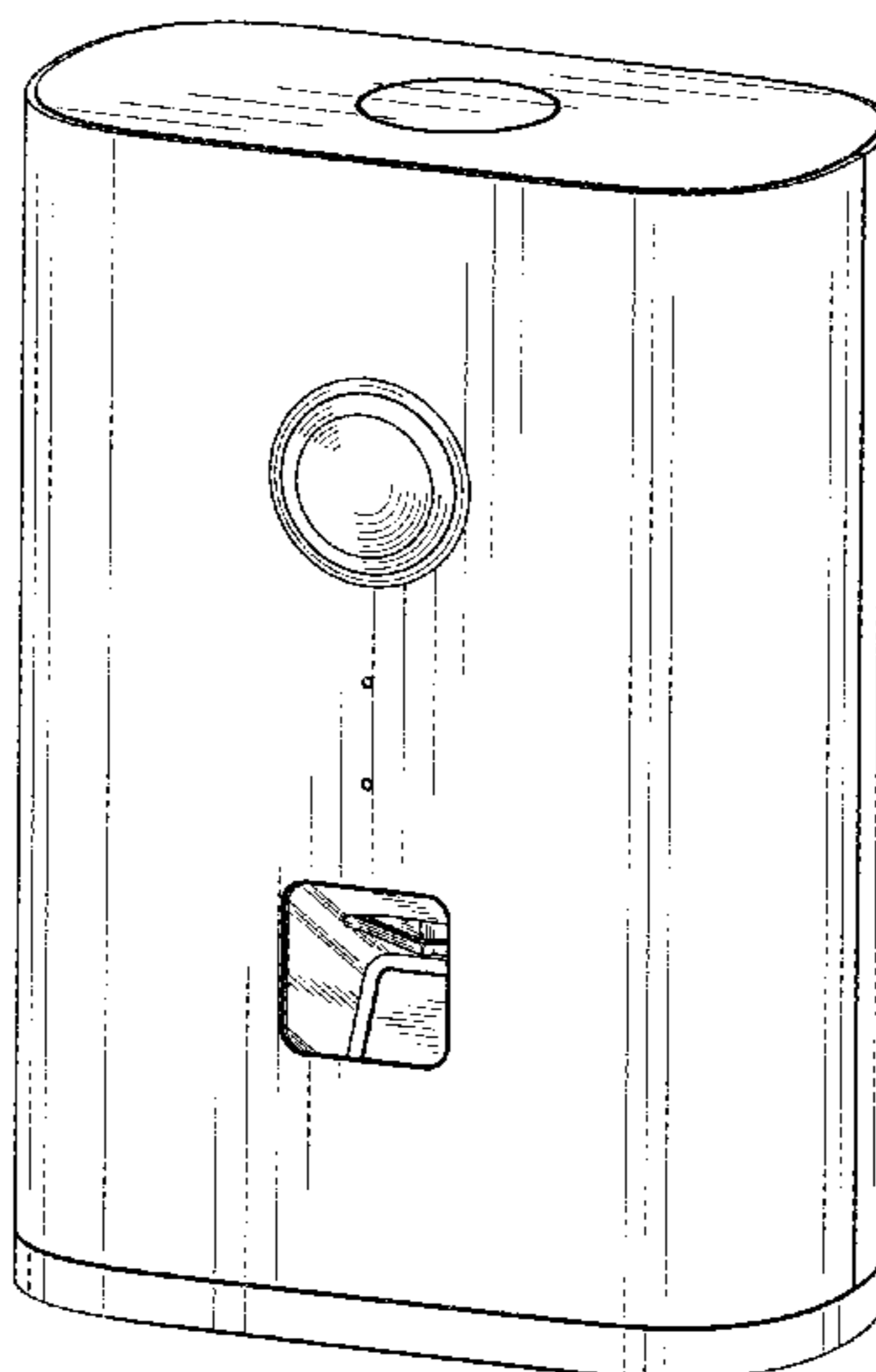
(57) **CLAIM**

We claim the ornamental design for a feeder, as shown and described.

DESCRIPTION

FIG. 1 is a perspective view of a feeder in accordance with the present design;
FIG. 2 is a front view thereof;
FIG. 3 is a back view thereof;
FIG. 4 is a left side view thereof;
FIG. 5 is a right side view thereof;
FIG. 6 is a top view thereof; and,
FIG. 7 is a bottom view thereof.
The broken lines in the drawings are for illustrative purposes only and form no part of the claimed design.

1 Claim, 7 Drawing Sheets



(58) **Field of Classification Search**

CPC 11/0005; B05B 11/001; C02F 1/003; C02F
1/283; C02F 2307/02

See application file for complete search history.

(56) **References Cited**

U.S. PATENT DOCUMENTS

D335,939	S *	5/1993	Cooper	D30/122
5,230,300	A *	7/1993	Mezhinsky	A01K 5/0291
					119/51.11
D351,261	S *	10/1994	Woo	D30/122
D552,401	S *	10/2007	Picozza	D7/306
8,807,089	B2 *	8/2014	Brown	A01K 1/0107
					119/719
9,137,967	B2 *	9/2015	Lathim	A01K 5/0225
D835,356	S *	12/2018	Xie	D30/122
D843,665	S *	3/2019	Zeng	D30/122
D844,258	S *	3/2019	Xu	D30/122
D876,022	S *	2/2020	Hua	D30/122
D885,685	S *	5/2020	Chen	D30/122
D885,686	S *	5/2020	Chen	D30/122
D891,004	S *	7/2020	Park	D30/122
D893,109	S *	8/2020	Zeng	D30/122
2013/0092090	A1 *	4/2013	McCallum	A01K 1/0356
					119/74
2013/0333622	A1 *	12/2013	Jin	A01K 5/0291
					119/51.01
2017/0280674	A1 *	10/2017	Davis	A01K 15/02
2019/0029221	A1 *	1/2019	Anderton	A01K 11/006
2019/0029222	A1 *	1/2019	Anderton	A01K 5/0233
2019/0059322	A1 *	2/2019	Xu	A01K 5/0225
2020/0100459	A1 *	4/2020	Chen	A01K 5/0275
2020/0100460	A1 *	4/2020	Chen	A01K 5/0225

* cited by examiner

FIG. 1

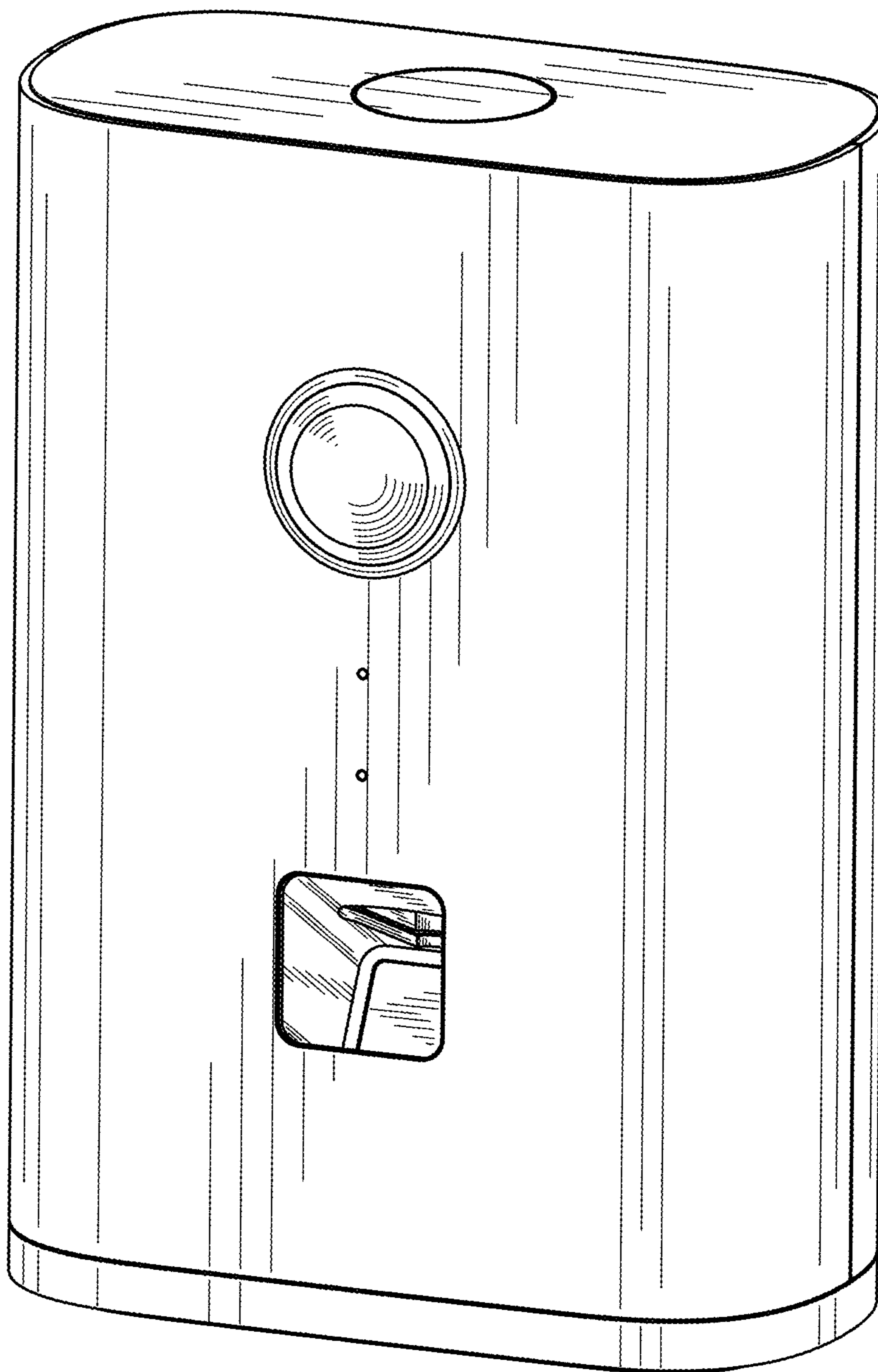


FIG. 2

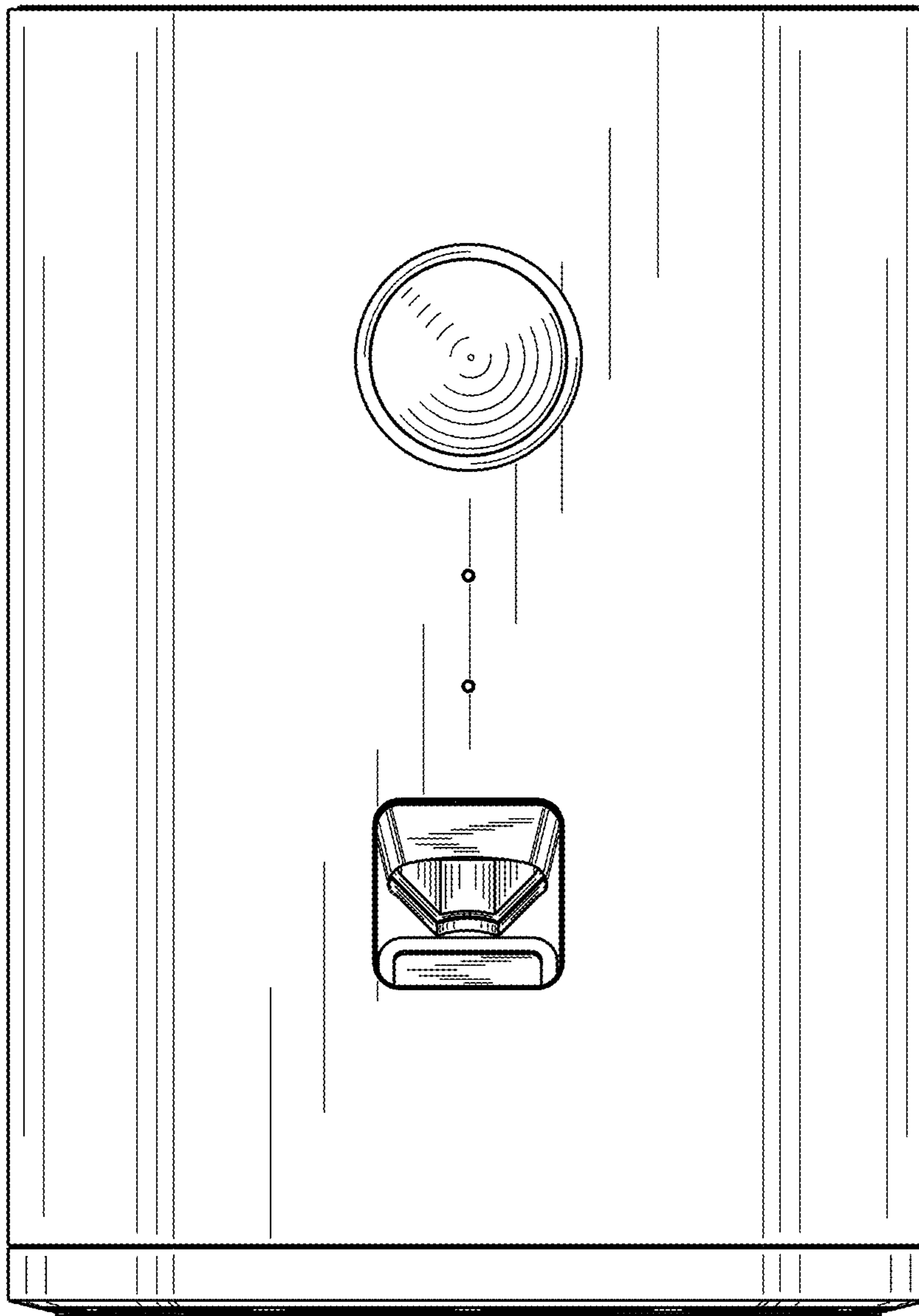


FIG. 3

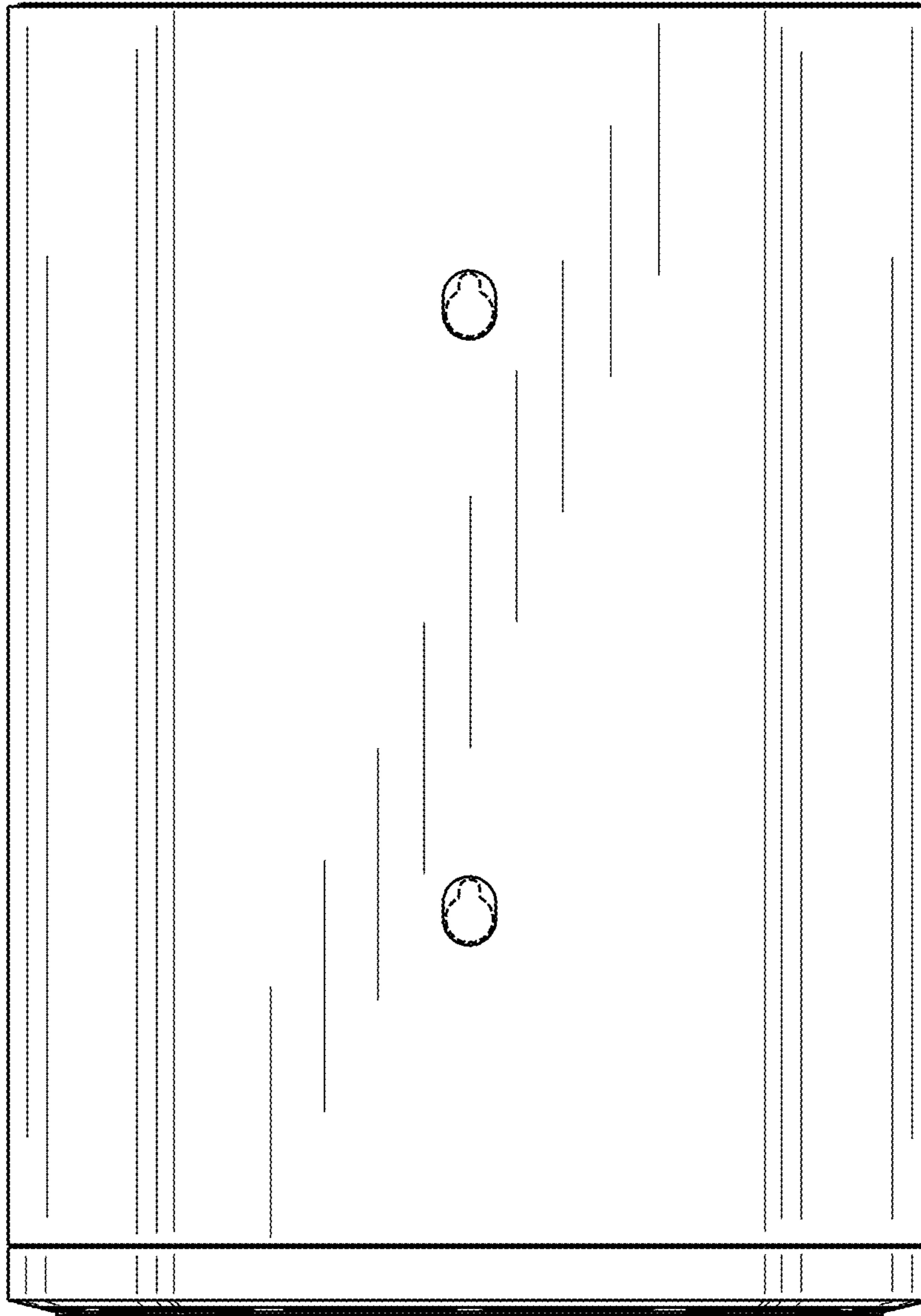


FIG. 4

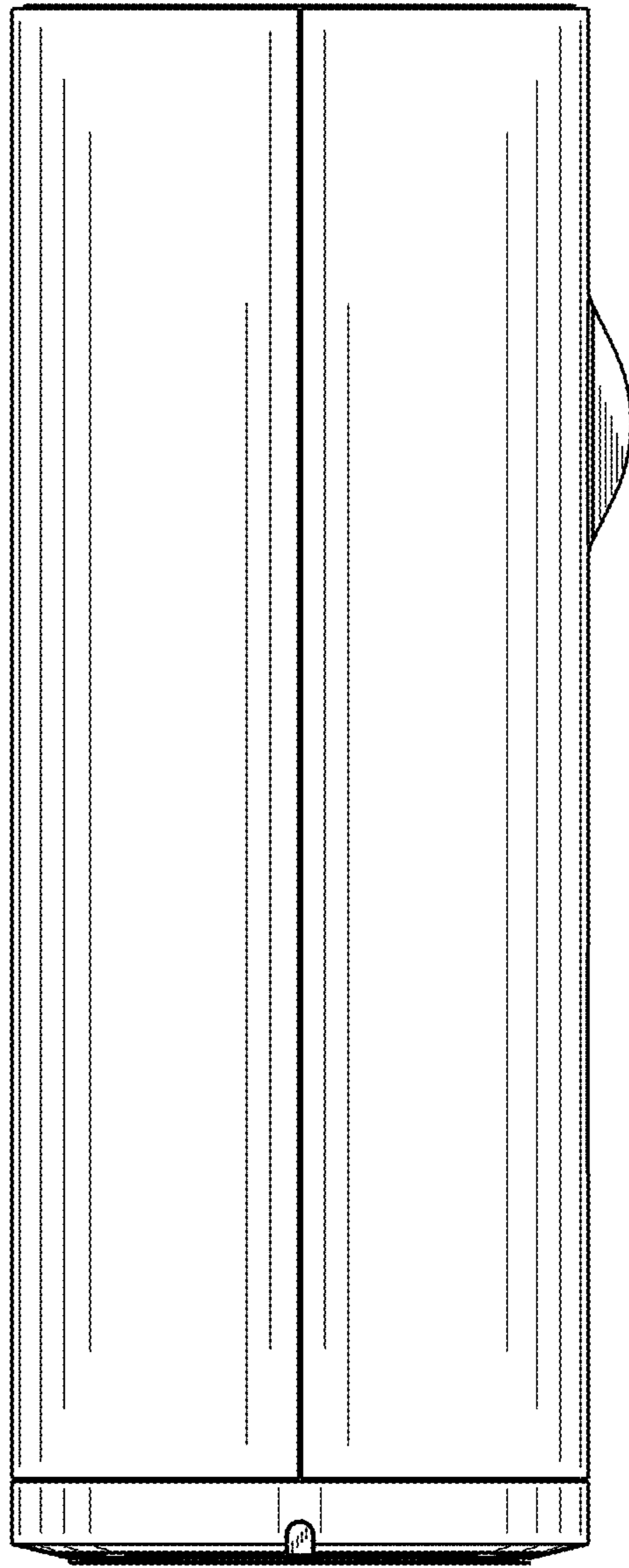


FIG. 5

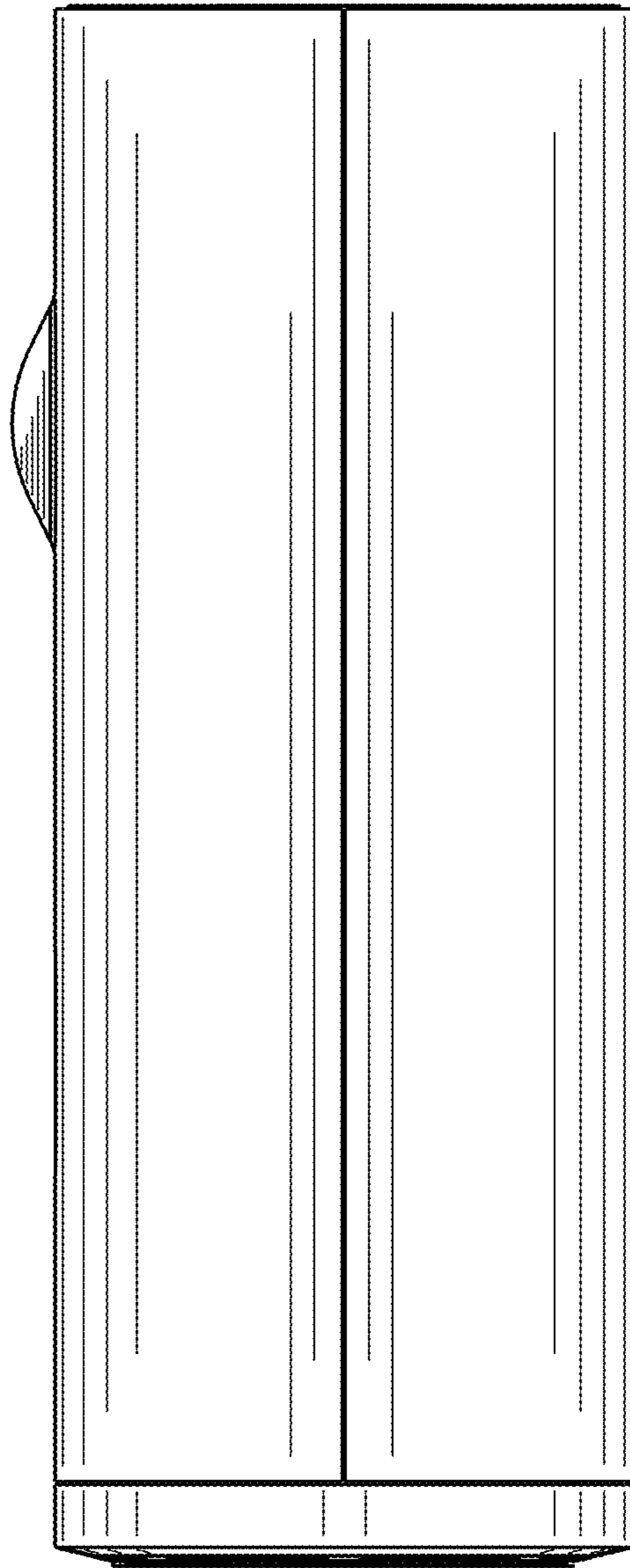


FIG. 6

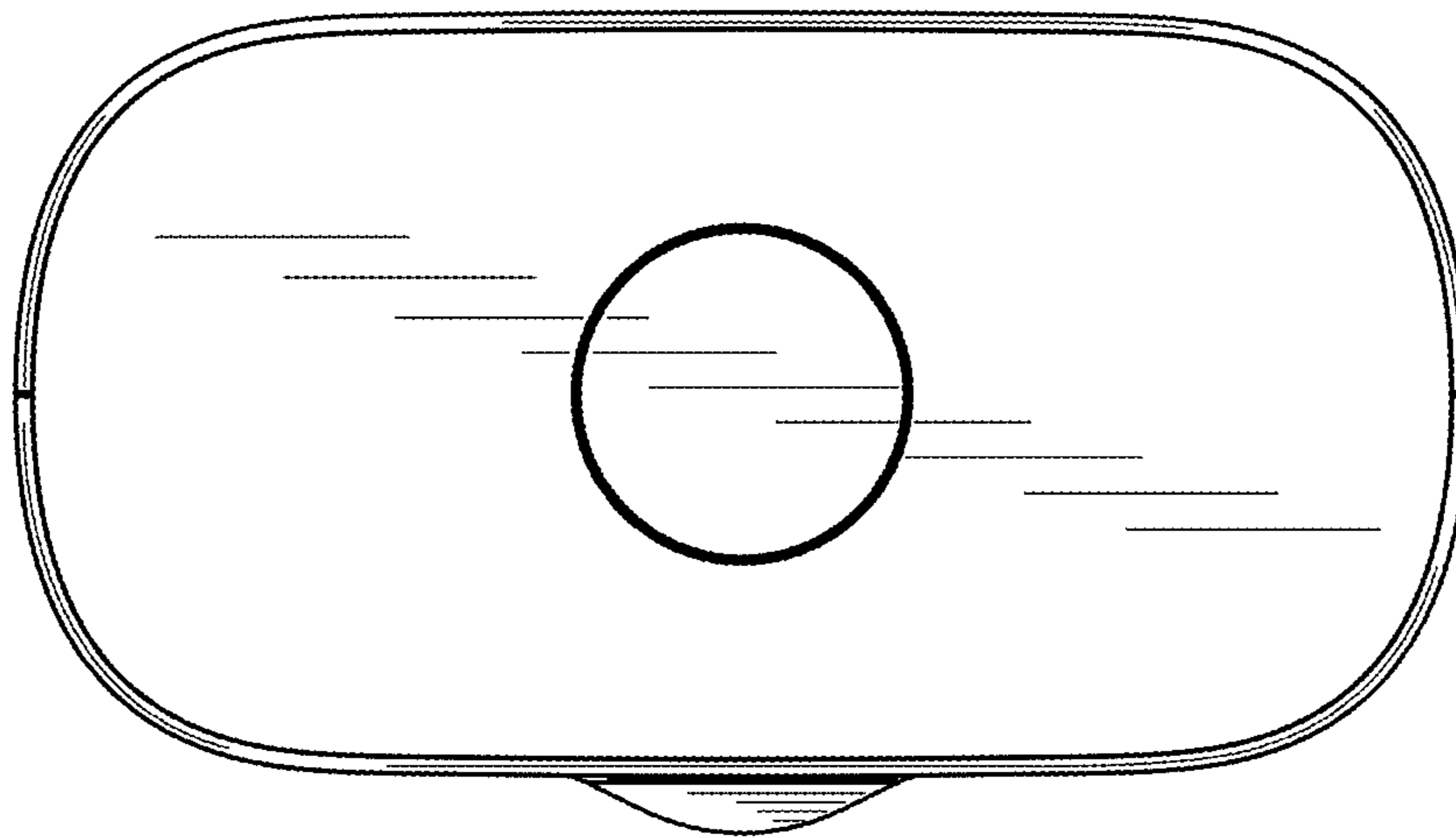


FIG. 7

