



US00D912907S

(12) **United States Design Patent**
LaRosa

(10) **Patent No.:** **US D912,907 S**
(45) **Date of Patent:** **** Mar. 9, 2021**

(54) **ARM AND WRIST GUARD**

(71) Applicant: **Nico Hawk LaRosa**, Danbury, CT (US)

(72) Inventor: **Nico Hawk LaRosa**, Danbury, CT (US)

(**) Term: **15 Years**

(21) Appl. No.: **29/661,441**

(22) Filed: **Aug. 28, 2018**

(51) **LOC (13) Cl.** **29-02**

(52) **U.S. Cl.**
USPC **D29/120.1**

(58) **Field of Classification Search**

USPC D29/113, 114, 115, 120.1, 120.2, 121.1,
D29/121.2, 122; D24/190, 192, 128, 171,
D24/191

CPC A41D 13/081; A41D 13/05; A41D 13/08;
A41D 19/01; A41D 13/088; A41D
13/084; A41D 13/085; Y10S 2/91; Y10S
2/917; A61F 5/05866; A61F 5/00; A61F
5/37; A61F 13/10; A61F 5/0118; A61F
13/104; A61F 13/108; A63B 71/14; A63B
71/08

See application file for complete search history.

(56) **References Cited**

U.S. PATENT DOCUMENTS

1,689,558 A 10/1928 Patten
1,962,258 A * 6/1934 Okuda A41D 13/084
2/20

(Continued)

OTHER PUBLICATIONS

Invention Convention 2017 State Winners (on-line), dated May 10,
2017. Retrieved from Internet Aug. 9, 2020, URL: <https://www.youtube.com/watch?v=001cIT3krKc> (1 page) (Year: 2017).*

Primary Examiner — Kimberly Barnes

(74) *Attorney, Agent, or Firm* — Merchant & Gould P.C.

(57) **CLAIM**

The ornamental design for an arm and wrist guard, as shown and described.

DESCRIPTION

FIG. 1 is an upper perspective view of a first embodiment of an arm and wrist guard showing my new design.

FIG. 2 is a lower perspective view of the arm and wrist guard of FIG. 1.

FIG. 3 is a top plan view of the arm and wrist guard of FIG. 1.

FIG. 4 is a bottom plan view of the arm and wrist guard of FIG. 1.

FIG. 5 is a right elevation view of the arm and wrist guard of FIG. 1.

FIG. 6 is a left elevation view of the arm and wrist guard of FIG. 1.

FIG. 7 is a front elevation view of the arm and wrist guard of FIG. 1.

FIG. 8 is a rear elevation view of the arm and wrist guard of FIG. 1.

FIG. 9 is an upper perspective view of a second embodiment of an arm and wrist guard.

FIG. 10 is a lower perspective view of the arm and wrist guard of FIG. 9.

FIG. 11 is a top plan view of the arm and wrist guard of FIG. 9.

FIG. 12 is a bottom plan view of the arm and wrist guard of FIG. 9.

FIG. 13 is a right elevation view of the arm and wrist guard of FIG. 9.

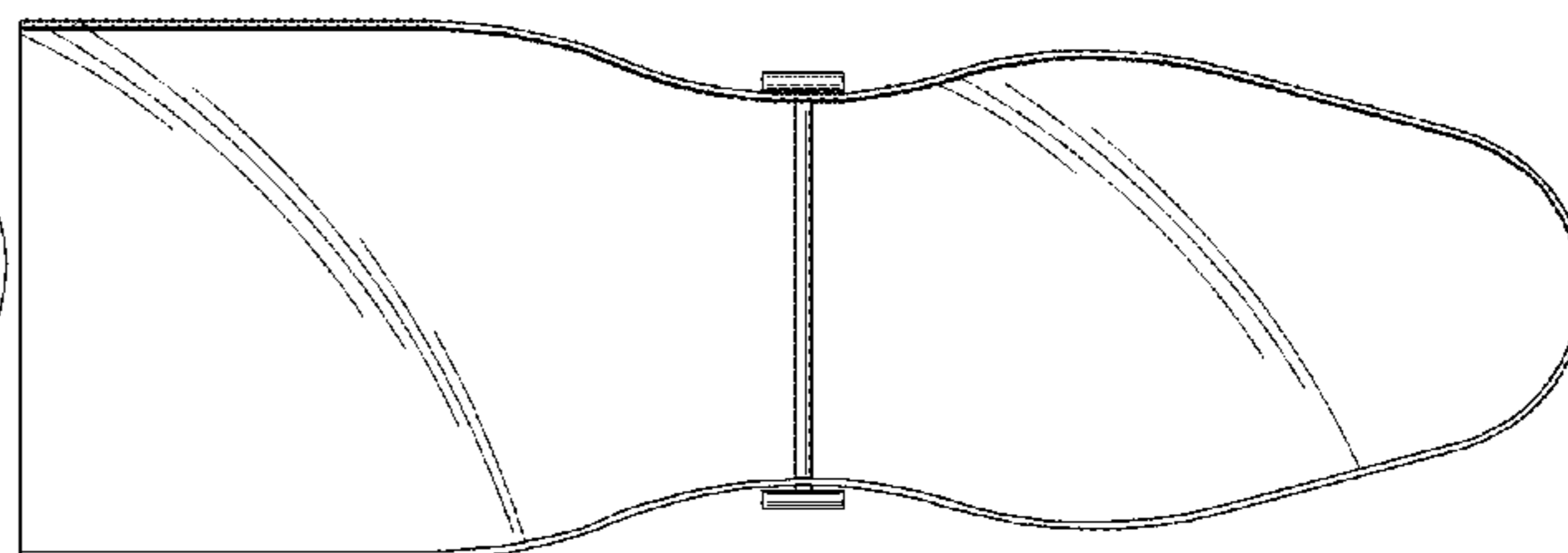
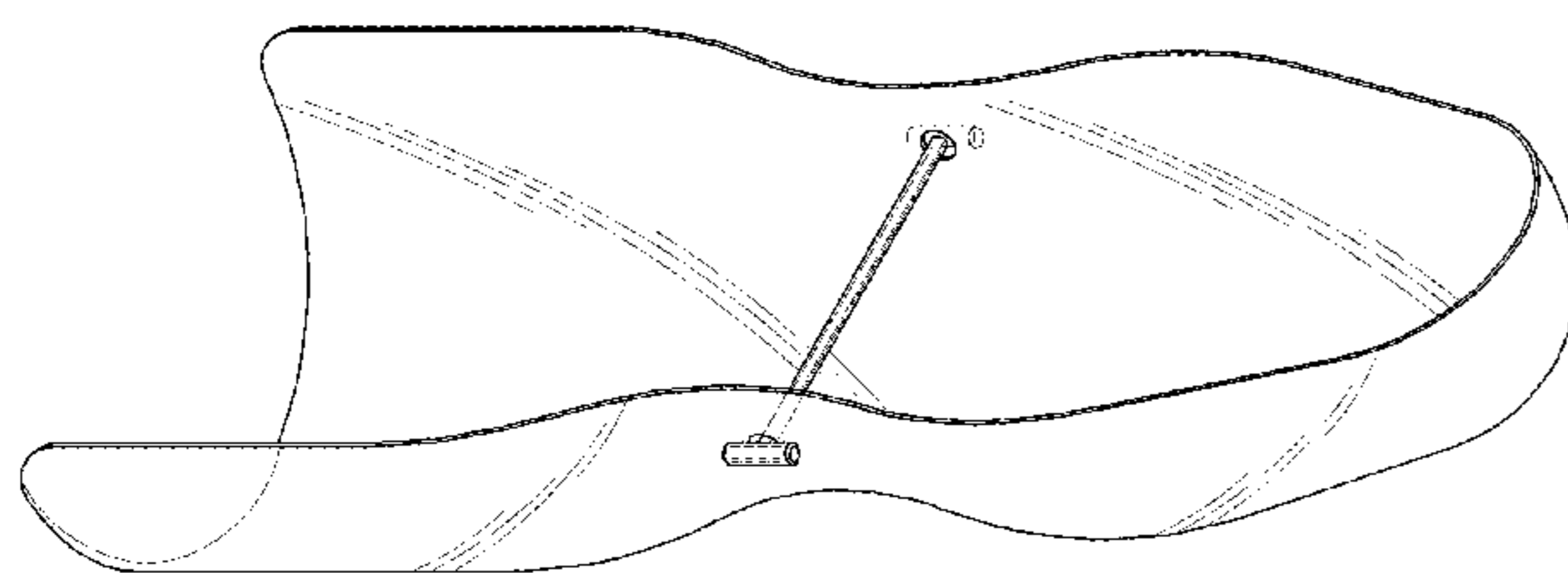
FIG. 14 is a left elevation view of the arm and wrist guard of FIG. 9.

FIG. 15 is a front elevation view of the arm and wrist guard of FIG. 9; and,

FIG. 16 is a rear elevation view of the arm and wrist guard of FIG. 9.

The broken lines depict portions of the arm and wrist guard that form no part of the claimed design.

1 Claim, 12 Drawing Sheets



(56)

References Cited

U.S. PATENT DOCUMENTS

2,124,158 A * 7/1938 Turner A41D 13/0568
2/24
2,733,443 A * 2/1956 Holder A41D 13/0568
2/22
D234,434 S * 3/1975 Trevino D21/791
D236,387 S * 8/1975 Katzman D24/128
3,943,923 A * 3/1976 Scheinberg A61F 5/058
602/6
4,373,213 A * 2/1983 Erlandson A41D 13/08
2/16
D278,470 S * 4/1985 Eghamn 2/22
D306,921 S * 3/1990 Pettinelli D2/901
4,942,624 A * 7/1990 Cho A63B 71/08
2/16
D310,278 S * 8/1990 Quinlan D29/120.1
D311,791 S * 10/1990 Koldofsky D29/121.1
4,964,176 A 10/1990 Previdi
5,566,390 A 10/1996 Clancy
D381,125 S * 7/1997 Weiler D29/101.2
5,728,169 A 3/1998 Norvell

6,298,484 B1 10/2001 Beckman
6,327,710 B1 12/2001 Dunn
6,421,830 B1 7/2002 Reynolds
D583,514 S * 12/2008 Mason D29/120.1
D628,753 S * 12/2010 Bishop D29/120.1
8,679,193 B2 * 3/2014 Astilla A61F 2/7812
623/33
D711,050 S * 8/2014 Ebrahimi D29/120.1
9,237,773 B2 * 1/2016 Perlmutter A41D 13/08
D784,621 S * 4/2017 Mehdizadeh D29/120.1
10,687,567 B2 * 6/2020 LaRosa A41D 13/084
2006/0277641 A1 12/2006 Gazau
2008/0040838 A1 2/2008 Watley
2009/0255027 A1 10/2009 Laitmon
2010/0269235 A1 * 10/2010 Parks F41H 1/02
2/2.5
2012/0097649 A1 4/2012 Dawson
2012/0269235 A1 10/2012 Pratt
2013/0234376 A1 * 9/2013 Frey A41D 13/015
267/141
2015/0352583 A1 12/2015 Anderson
2019/0029340 A1 * 1/2019 Aguilar A41D 13/08
2019/0059469 A1 2/2019 LaRosa

* cited by examiner

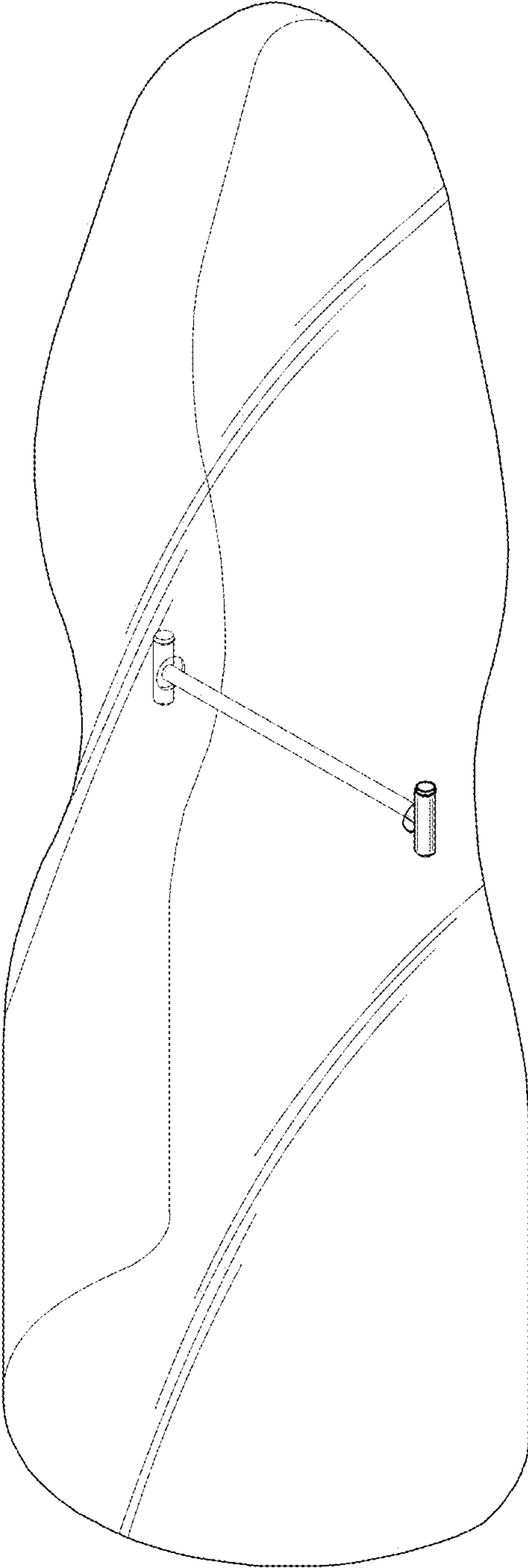


FIG. 1

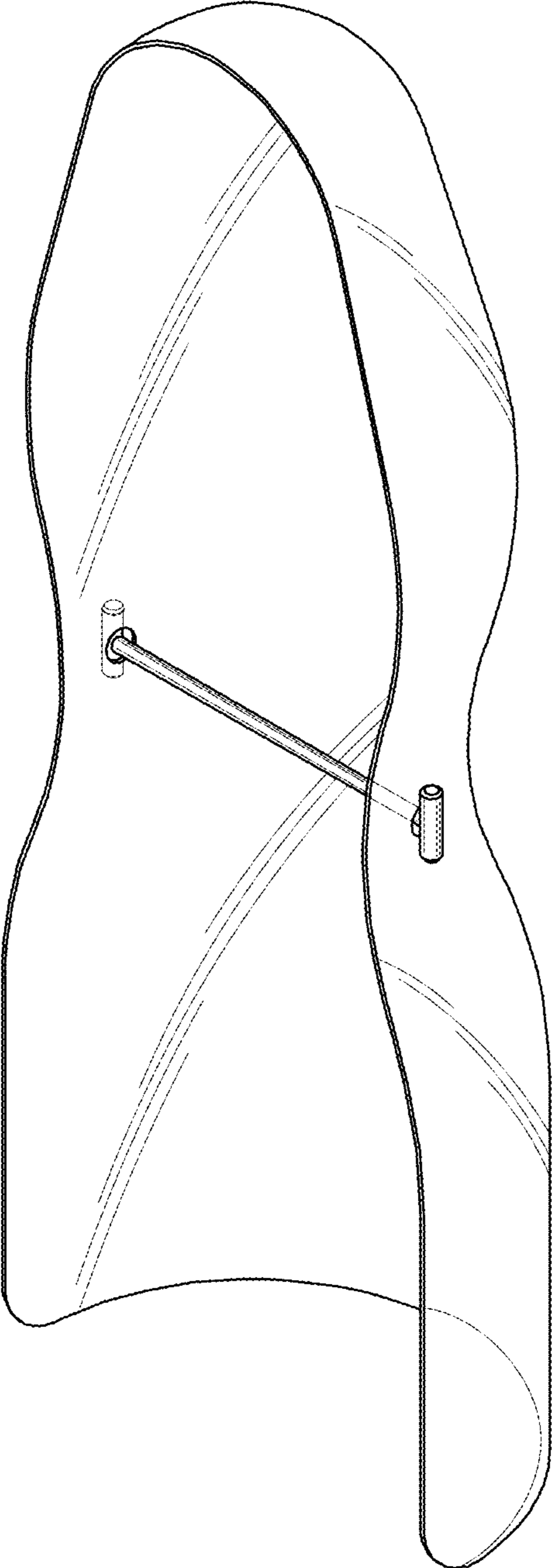


FIG. 2

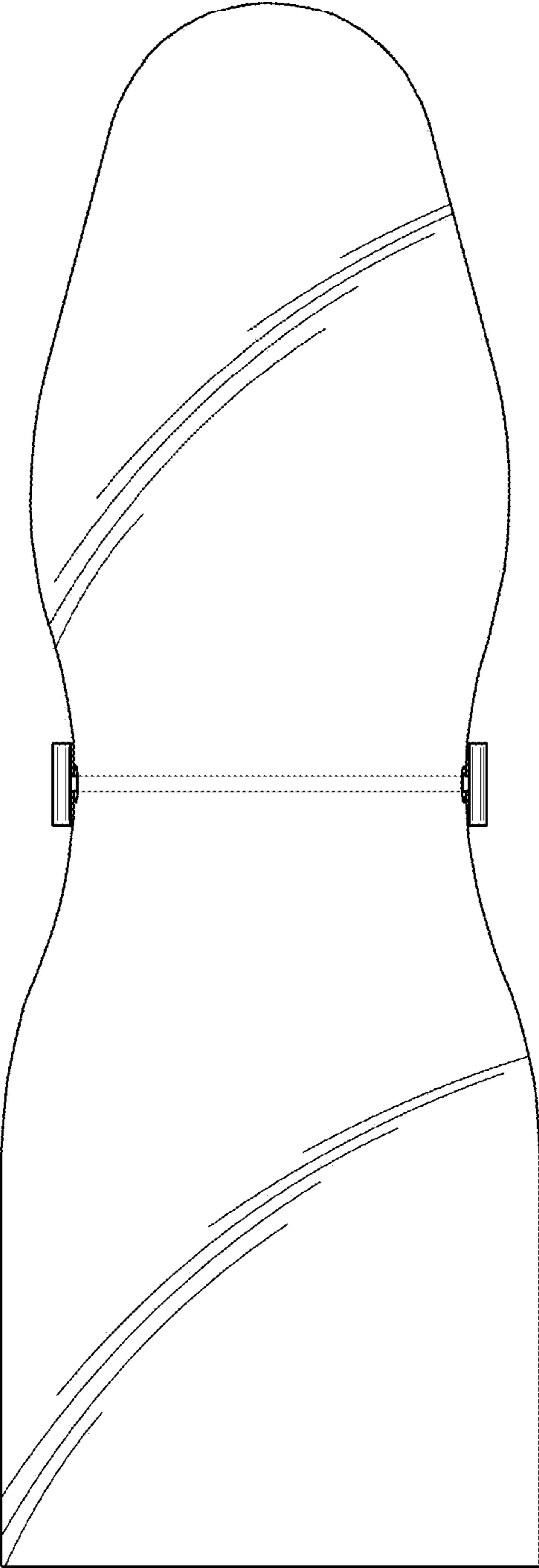


FIG. 3

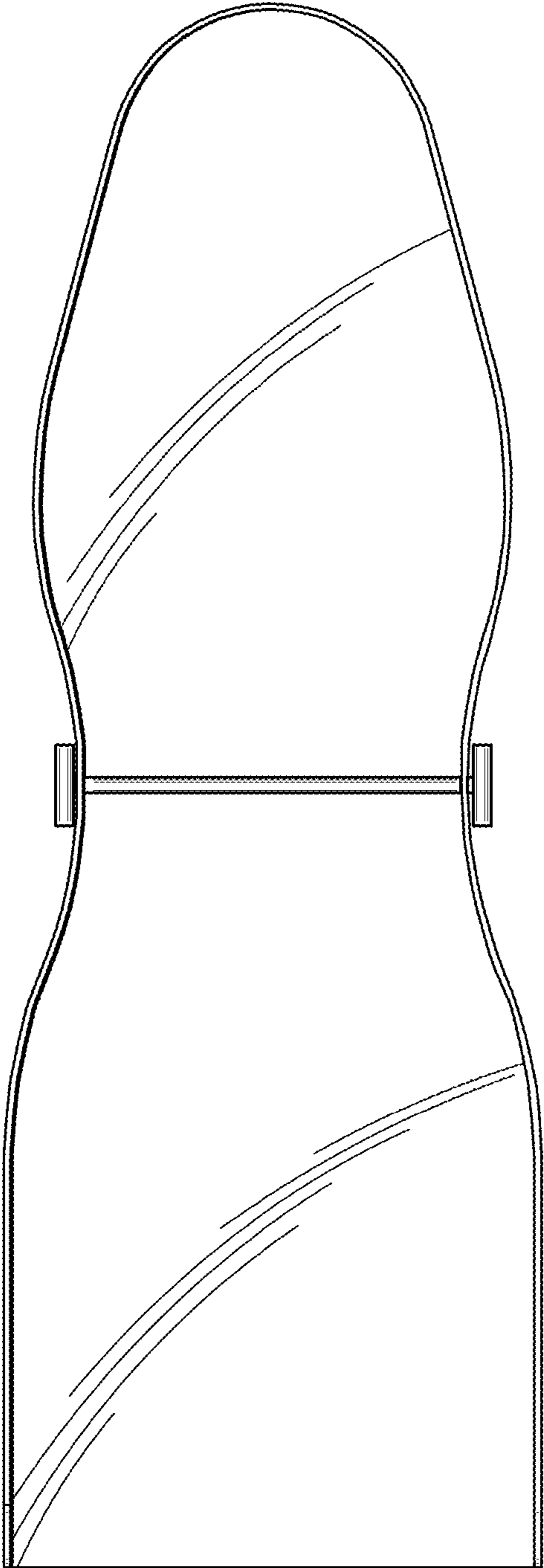


FIG. 4

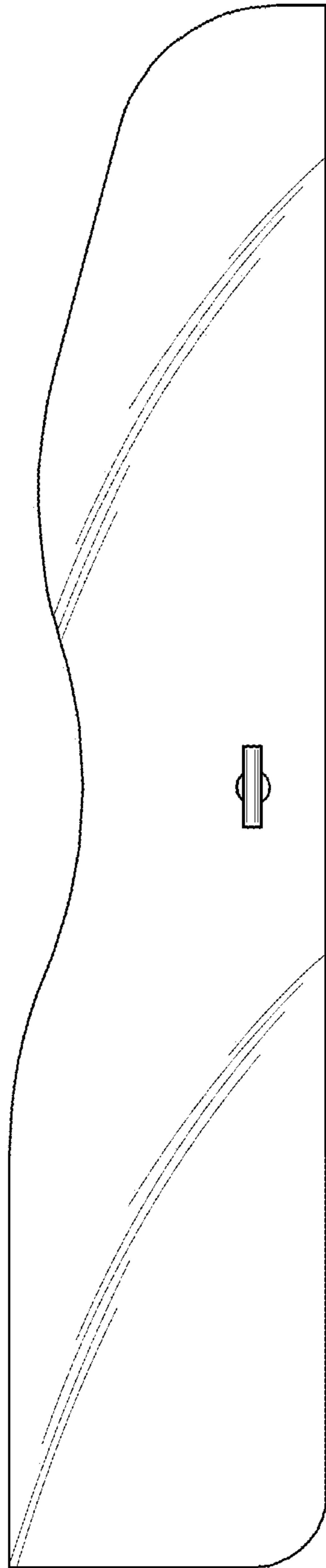


FIG. 5

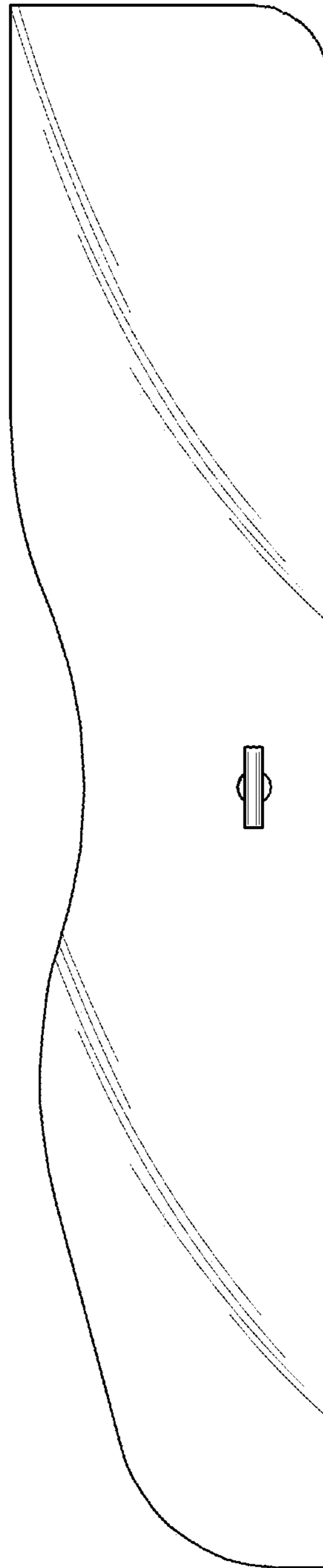


FIG. 6

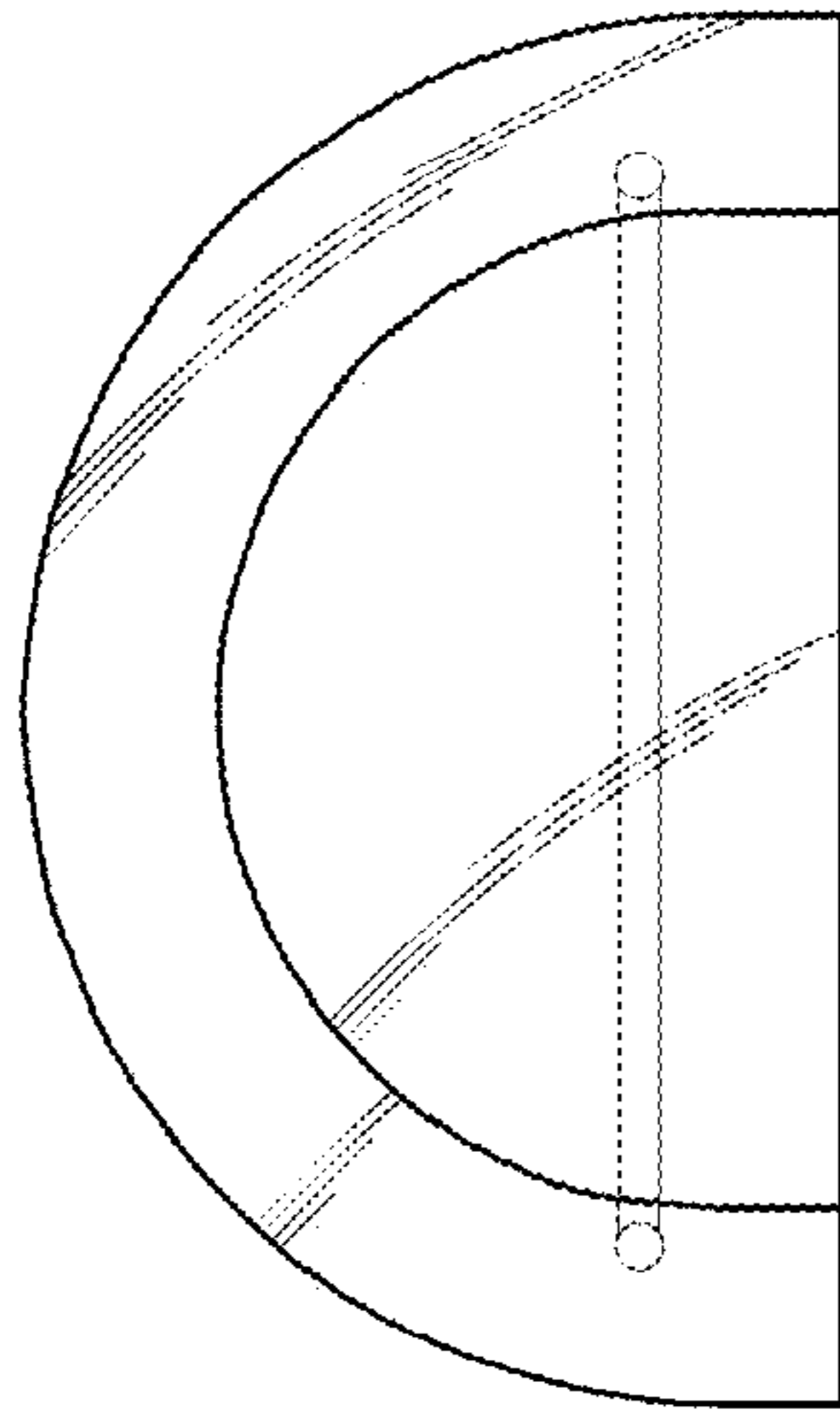


FIG. 7

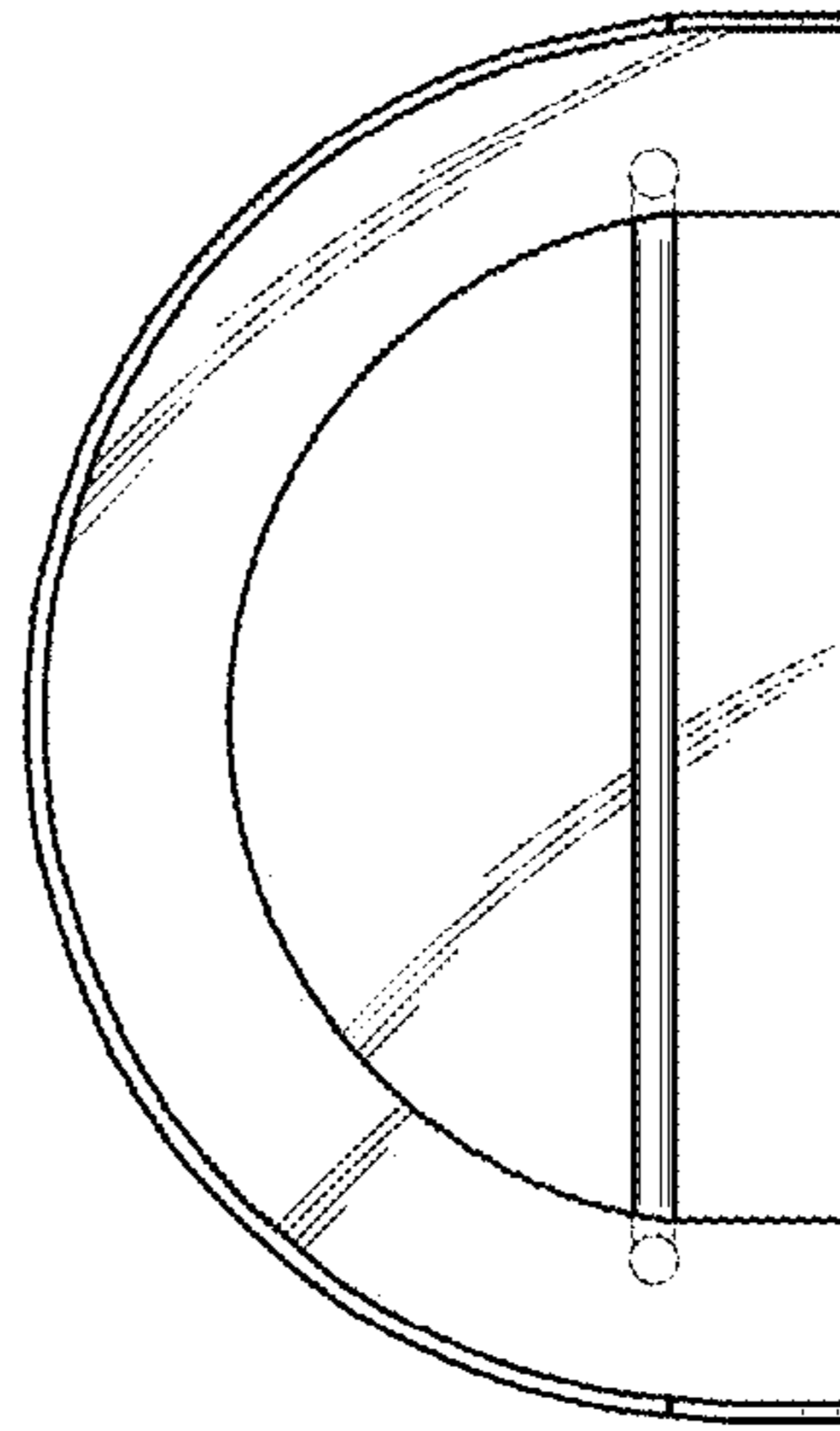


FIG. 8

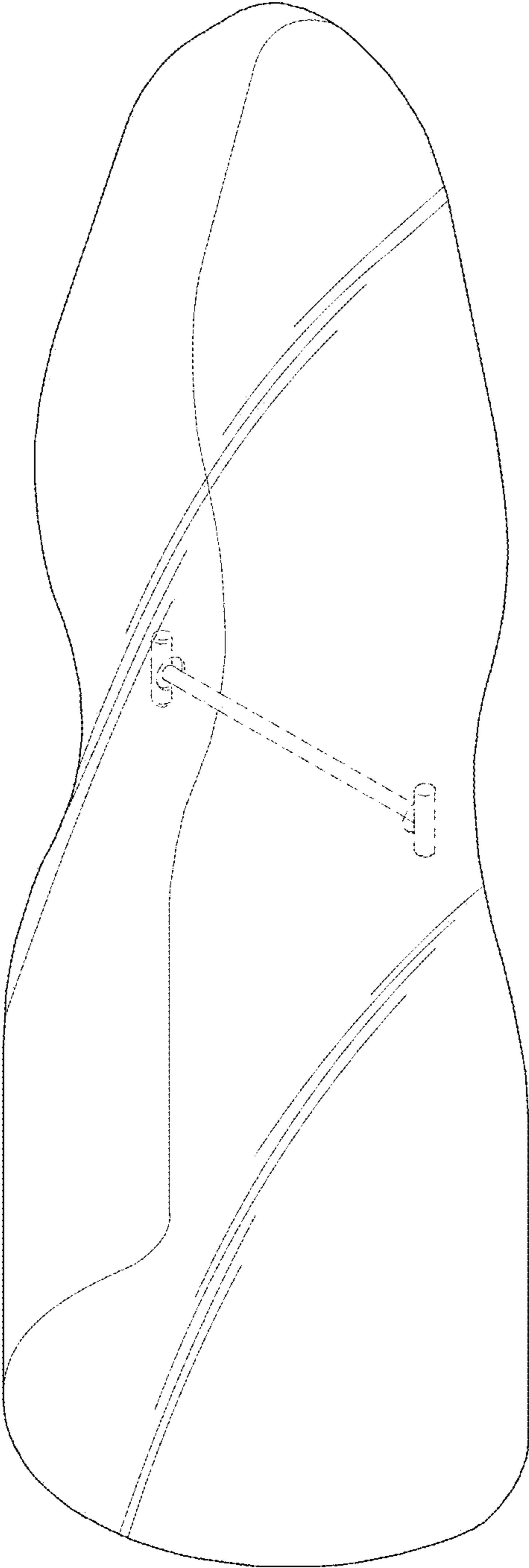


FIG. 9

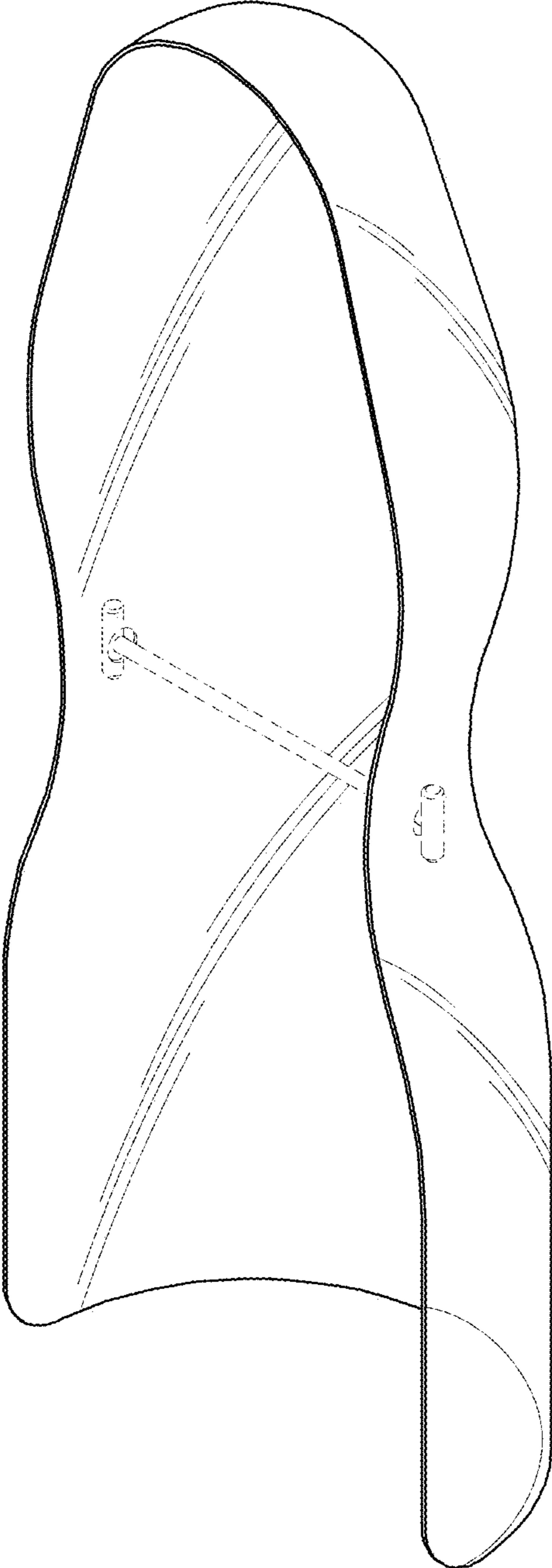


FIG. 10

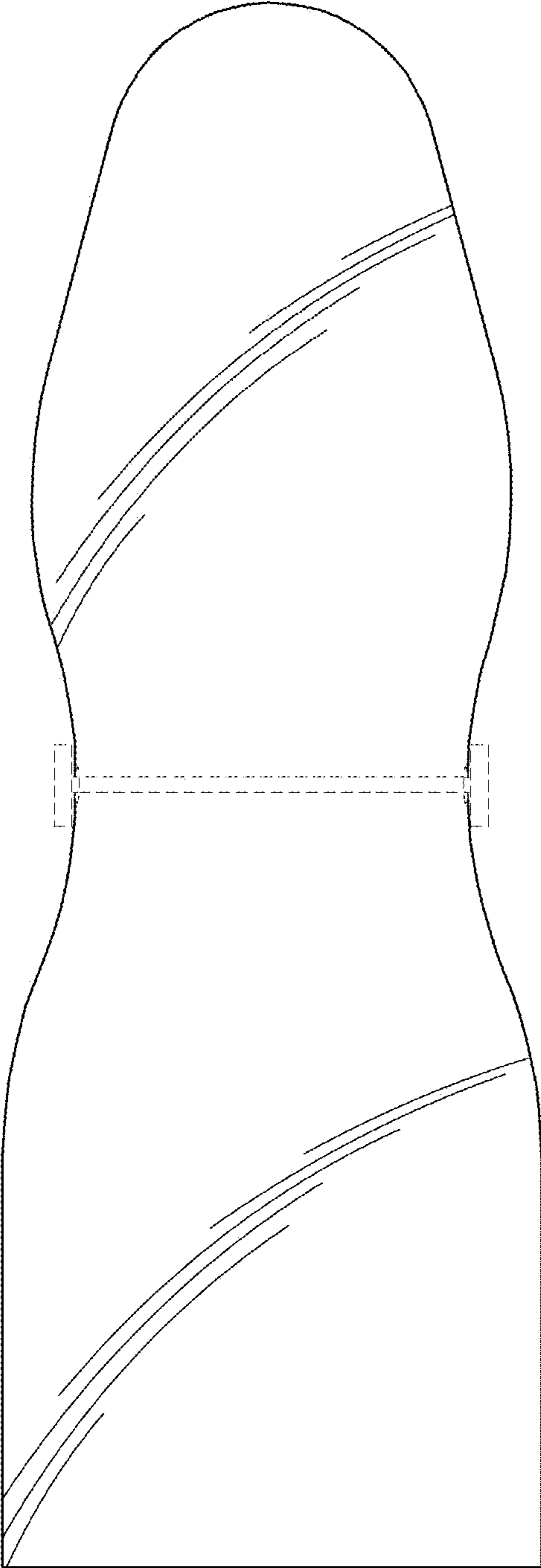


FIG. 11

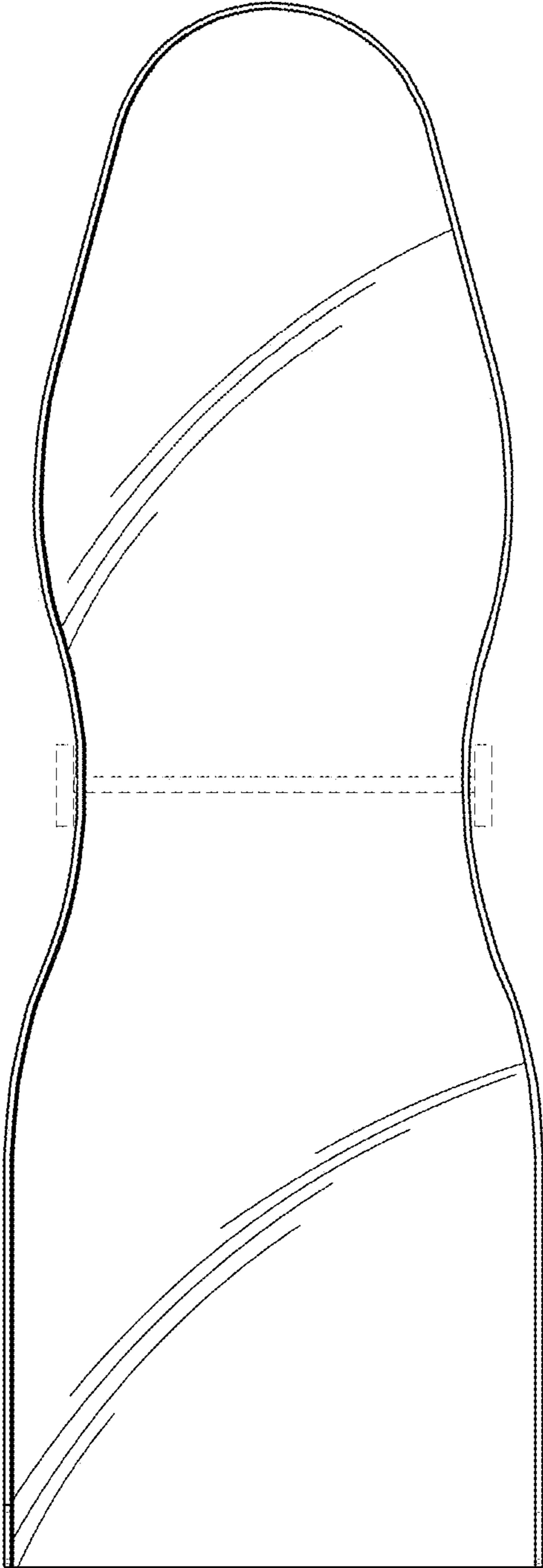


FIG. 12

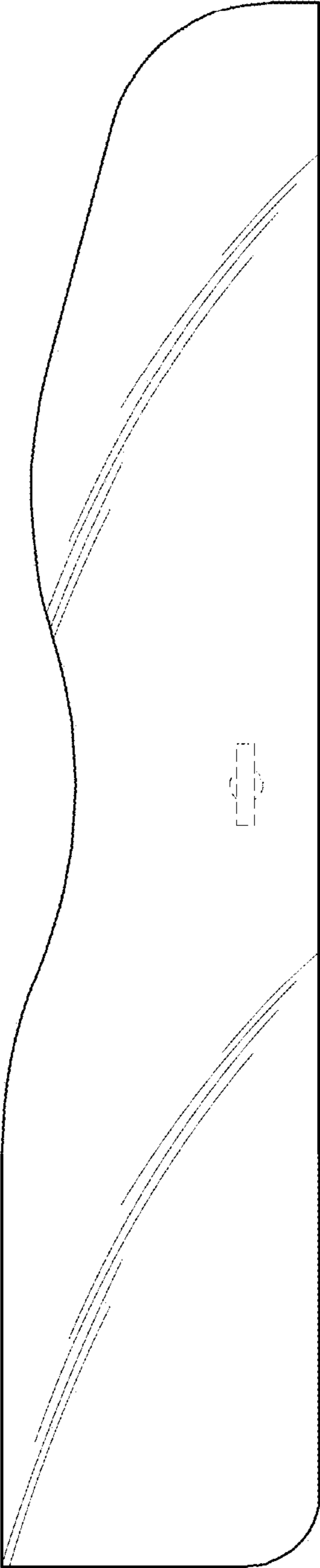


FIG. 13

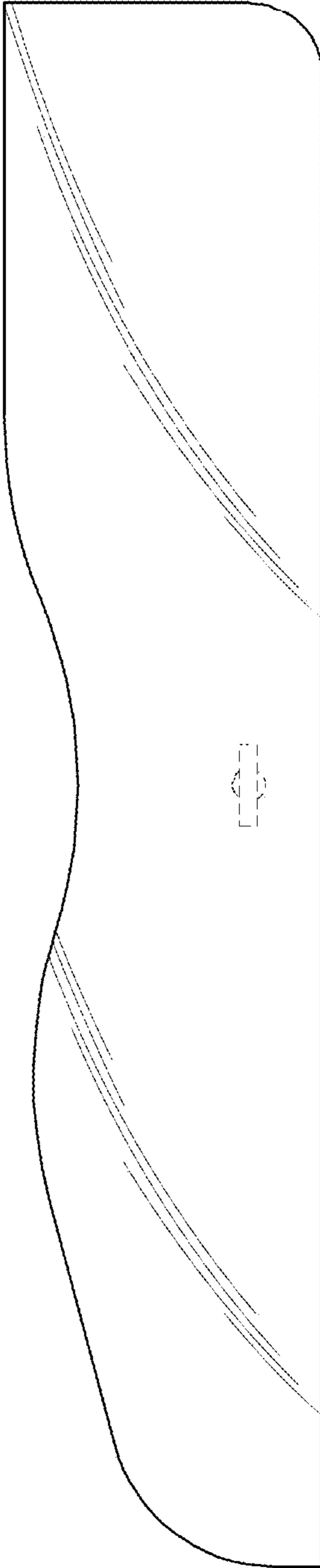


FIG. 14

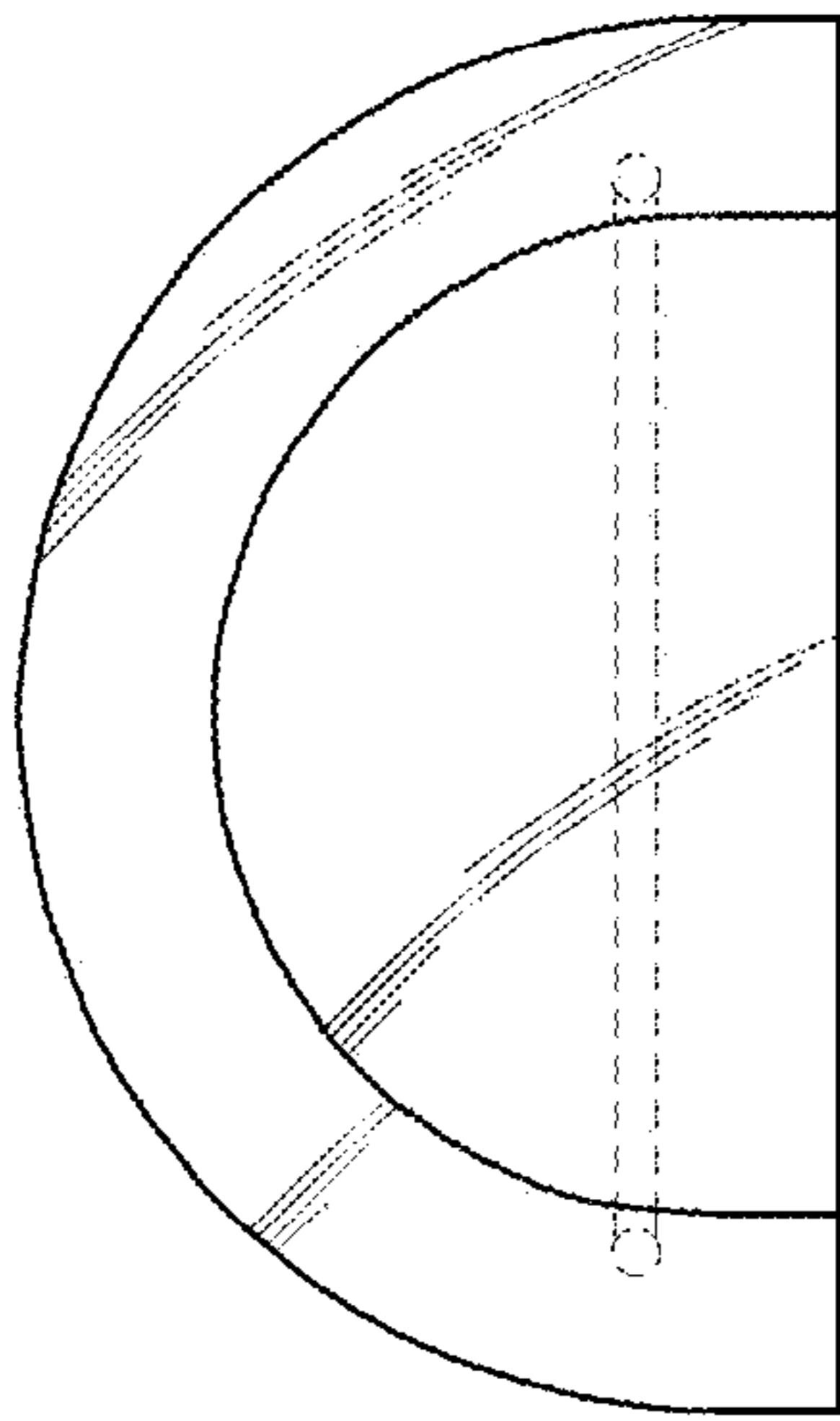


FIG. 15

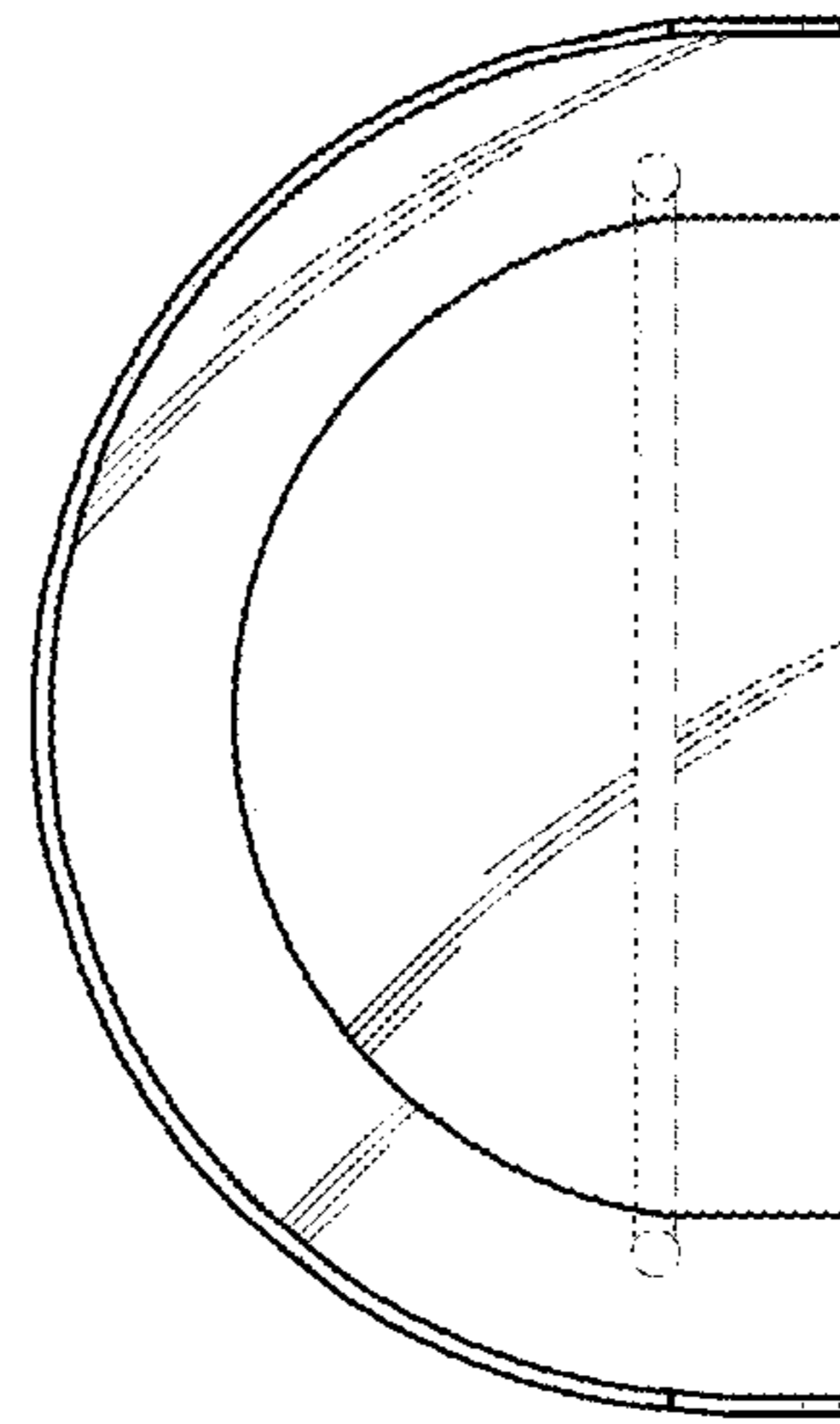


FIG. 16