



US00D912904S

(12) **United States Design Patent** (10) **Patent No.:** **US D912,904 S**
Tan et al. (45) **Date of Patent:** **** Mar. 9, 2021**

(54) **COMBINED ELECTRIC NAIL DRILL AND POWER SUPPLY**

(71) Applicant: **Glam and Glits Nail Design, Inc.**,
Bakersfield, CA (US)

(72) Inventors: **Ana Katrina Tan**, Bakersfield, CA
(US); **Khoa Duong**, Bakersfield, CA
(US)

(73) Assignee: **Glam and Glits Nail Design, Inc.**,
Bakersfield, CA (US)

(**) Term: **15 Years**

(21) Appl. No.: **29/695,670**

(22) Filed: **Jun. 20, 2019**

(51) **LOC (13) Cl.** **28-03**

(52) **U.S. Cl.**

USPC **D28/58**

(58) **Field of Classification Search**

USPC D13/108, 168; D14/137, 159; D24/133,
D24/146, 214; D28/56, 57, 58, 59, 99
CPC A45D 29/00; A45D 29/05; A45D 29/06;
A45D 29/14; A45D 29/18; A45D 29/20;
A61B 17/54

See application file for complete search history.

(56) **References Cited**

U.S. PATENT DOCUMENTS

D104,491	S	*	5/1937	Boggs	D28/58
D266,607	S	*	10/1982	Choe	D28/58
5,640,979	A	*	6/1997	Trenary	A45D 29/17 132/73
D397,517	S	*	8/1998	Choyee	D28/59
D511,401	S	*	11/2005	Park	D28/58
D530,424	S	*	10/2006	Manser	D24/169
D603,561	S	*	11/2009	Cho	D28/58
D607,847	S	*	1/2010	Elliott	D13/168
D811,010	S	*	2/2018	Tan	D28/58
D822,280	S	*	7/2018	Dadon	D28/58

(Continued)

OTHER PUBLICATIONS

Kiara Sky Portable Nail Drill [online], [site visited Sep. 10, 2020]. Available from internet, URL:<https://kiarasky.com/collections/beyond-pro-drill/products/beyond-pro-portable-nail-drill-white> (Year: 2019).*

(Continued)

Primary Examiner — Cynthia Ramirez

Assistant Examiner — Xavier Marti-Santos

(74) *Attorney, Agent, or Firm* — Lapple Ubell IP Law, LLP; Matthew C. Lapple

(57) **CLAIM**

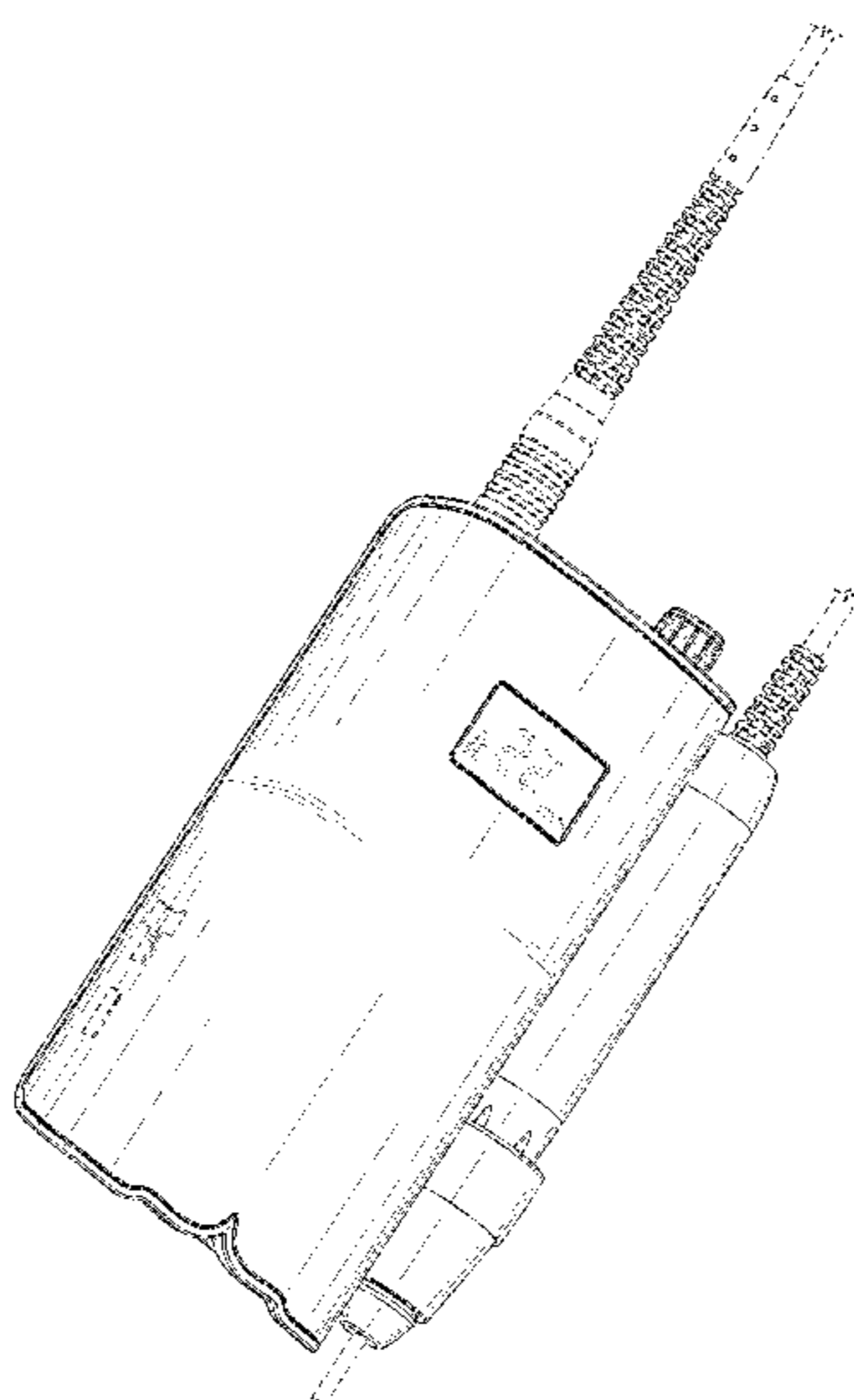
The ornamental design for a combined electric nail drill and power supply, as shown and described.

DESCRIPTION

FIG. 1 is a perspective view of a combined electric nail drill and power supply showing our new design; FIG. 2 is a front view thereof; FIG. 3 is a back view thereof; FIG. 4 is a left side view thereof; FIG. 5 is a right side view thereof; FIG. 6 is a bottom view thereof; FIG. 7 is a top view thereof; FIG. 8 is a perspective view thereof wherein the nail drill has been removed from the holster for use; and, FIG. 9 is a perspective view thereof wherein the nail drill is in condition of use, and the holster is not being shown for convenience of illustration.

The broken lines in the figures are for the purpose of illustrating portions of the combined electric nail drill and power supply, which form no part of the claimed design. The additional broken lines shown in FIG. 9 depicting a hand, are to show environment and form no part of the claimed design.

1 Claim, 7 Drawing Sheets



(56)

References Cited

U.S. PATENT DOCUMENTS

D825,107	S	*	8/2018	Du	D28/58
D841,610	S	*	2/2019	Novin	D14/137
D867,322	S	*	11/2019	Yan	D14/155
D868,724	S	*	12/2019	Xie	D14/159
D889,426	S	*	7/2020	Fu	D14/159
D895,210	S	*	9/2020	Wu	D28/58
2011/0226268	A1	*	9/2011	Filonczuk	A45D 29/05 132/73.6
2013/0092182	A1	*	4/2013	Stockbauer	A61B 17/54 132/75.8

OTHER PUBLICATIONS

Kiaraskynails Instagram post [online], [site visited Sep. 10, 2020].
Available from internet, URL:<<https://www.instagram.com/p/B5EI2qkJA3d/>> (Year: 2019).*

* cited by examiner

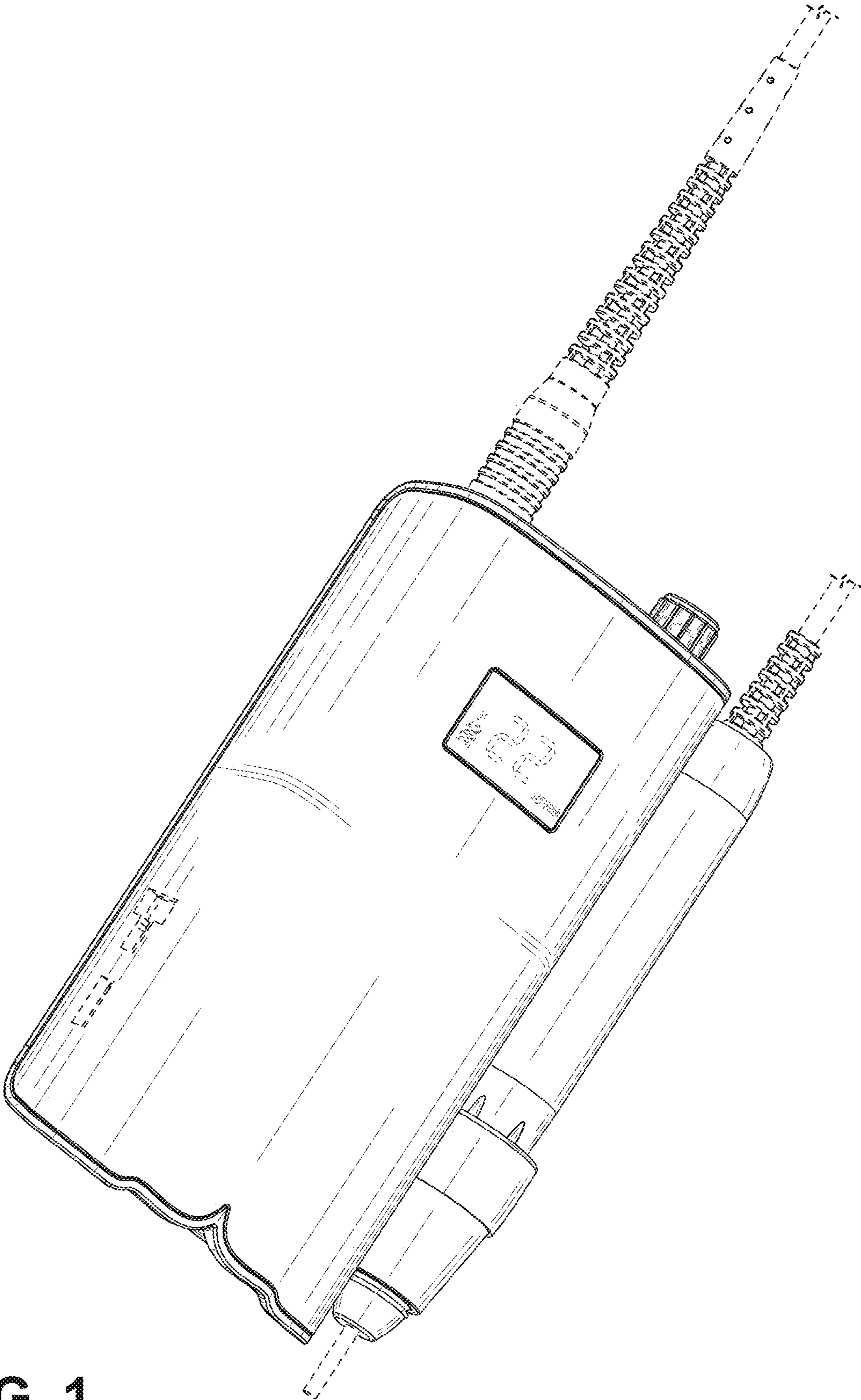


FIG. 1

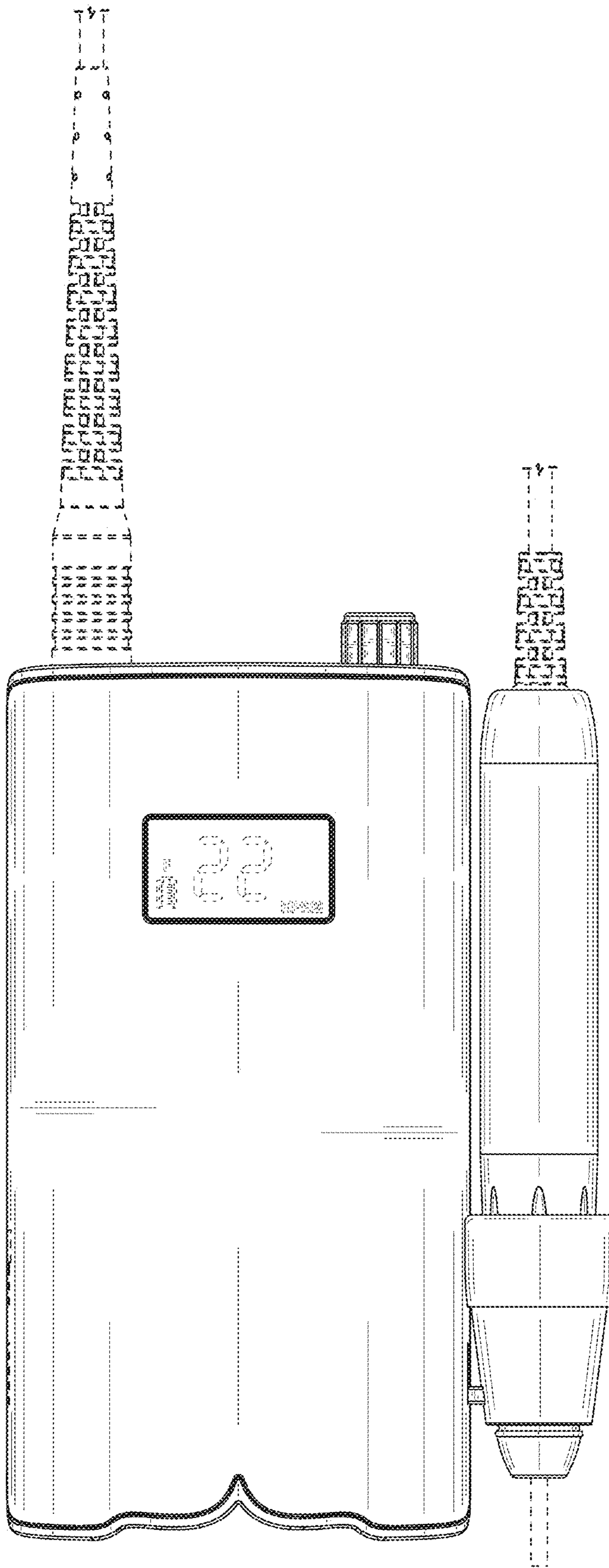


FIG. 2

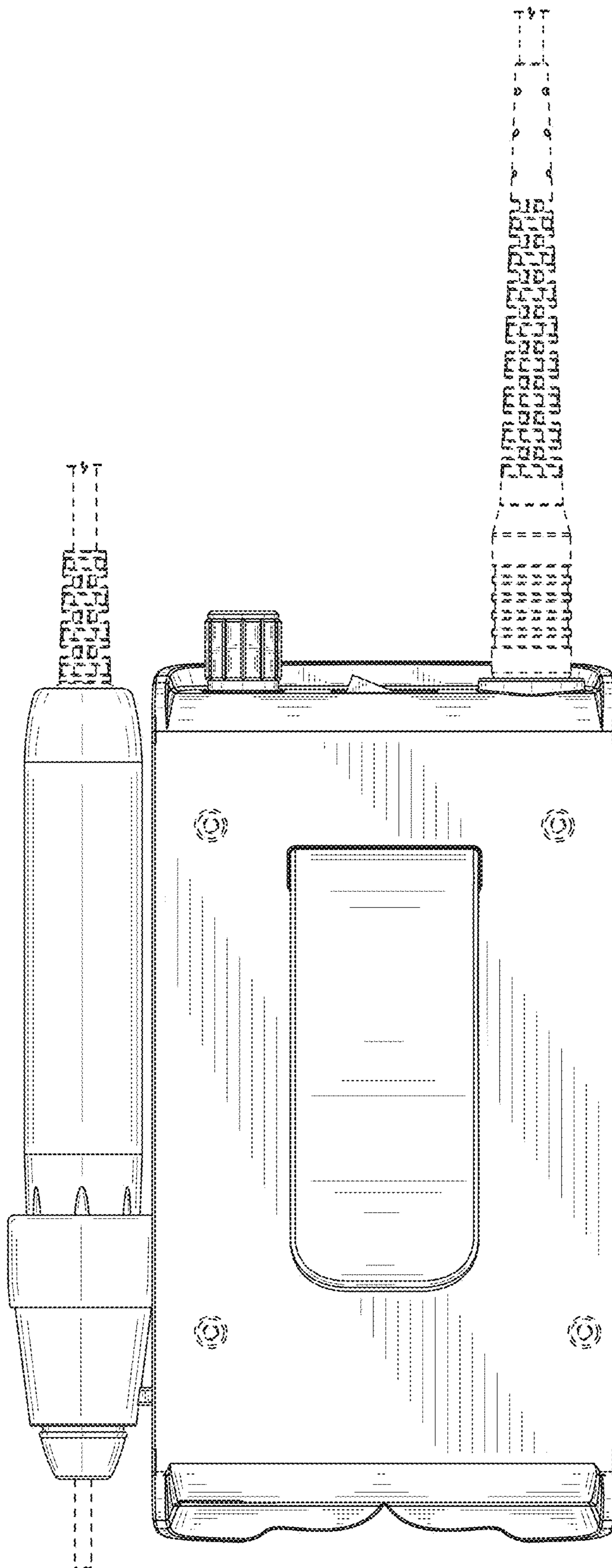


FIG. 3

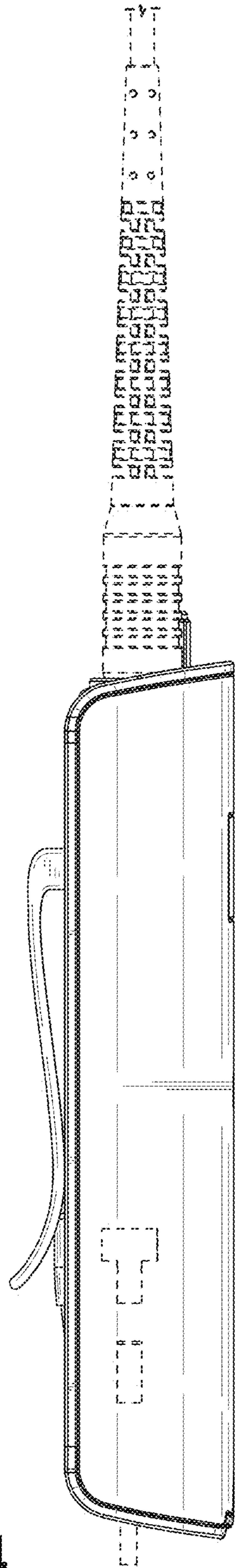


FIG. 4

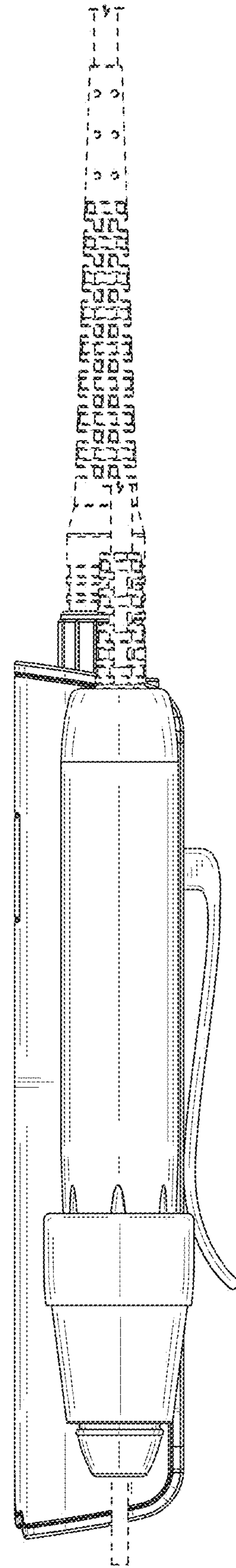


FIG. 5

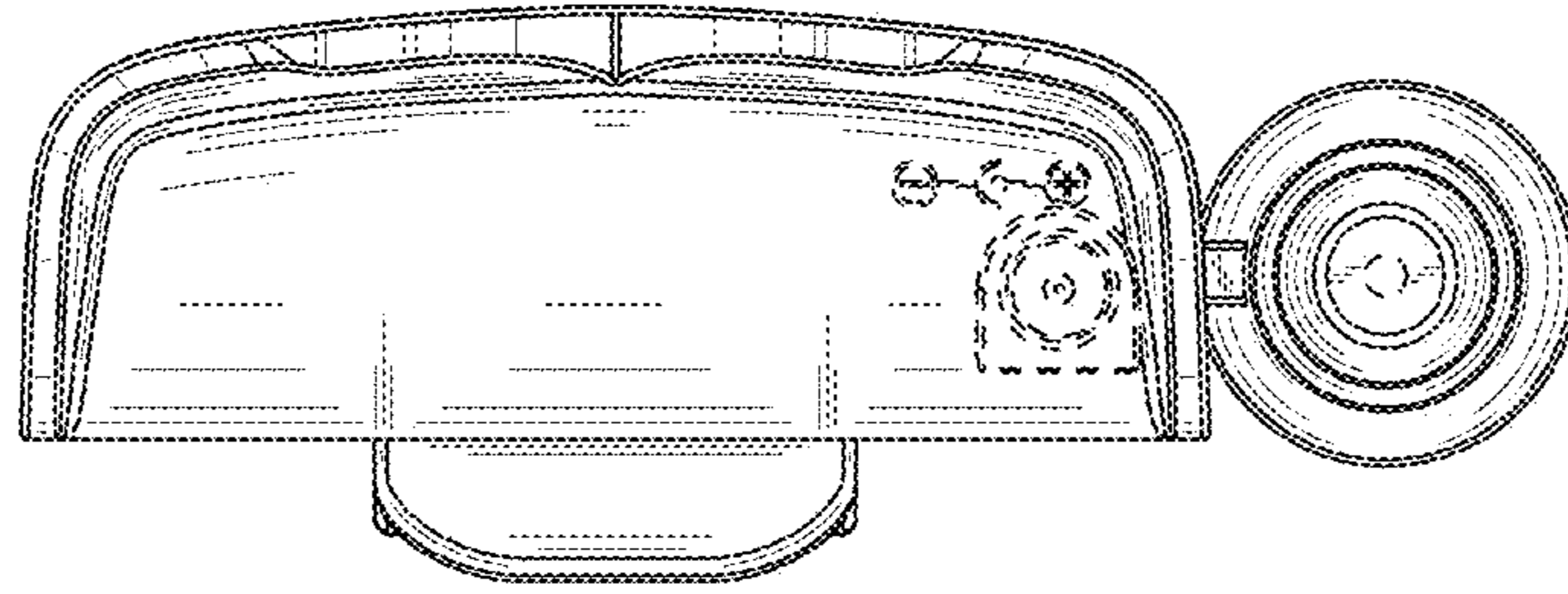


FIG. 6

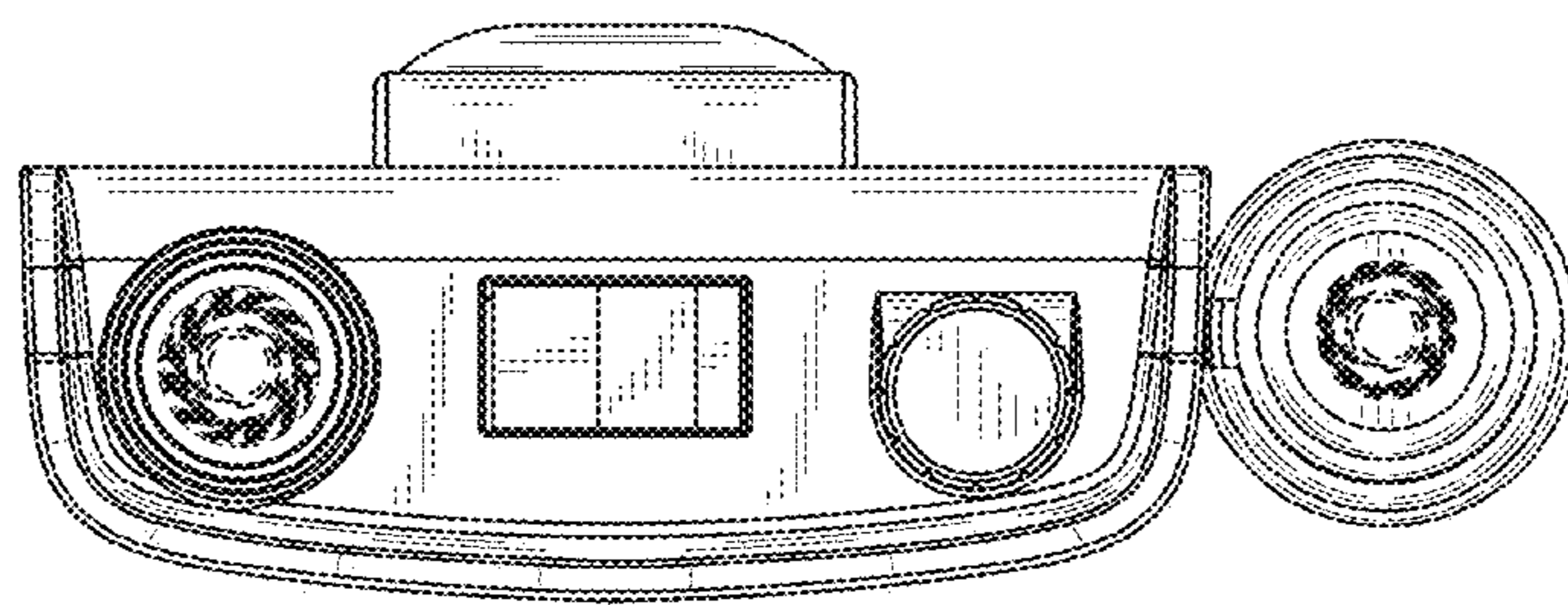


FIG. 7

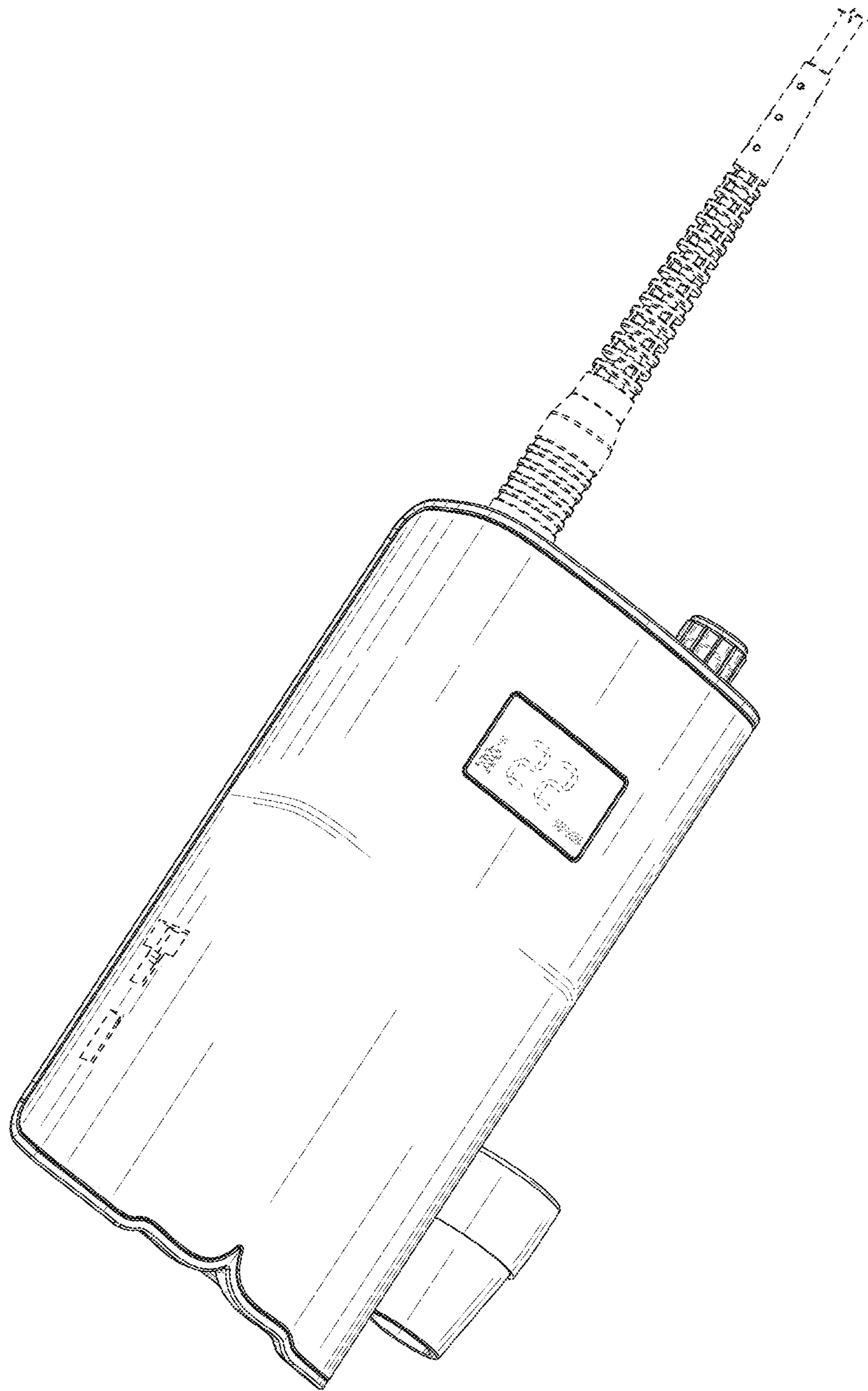


FIG. 8

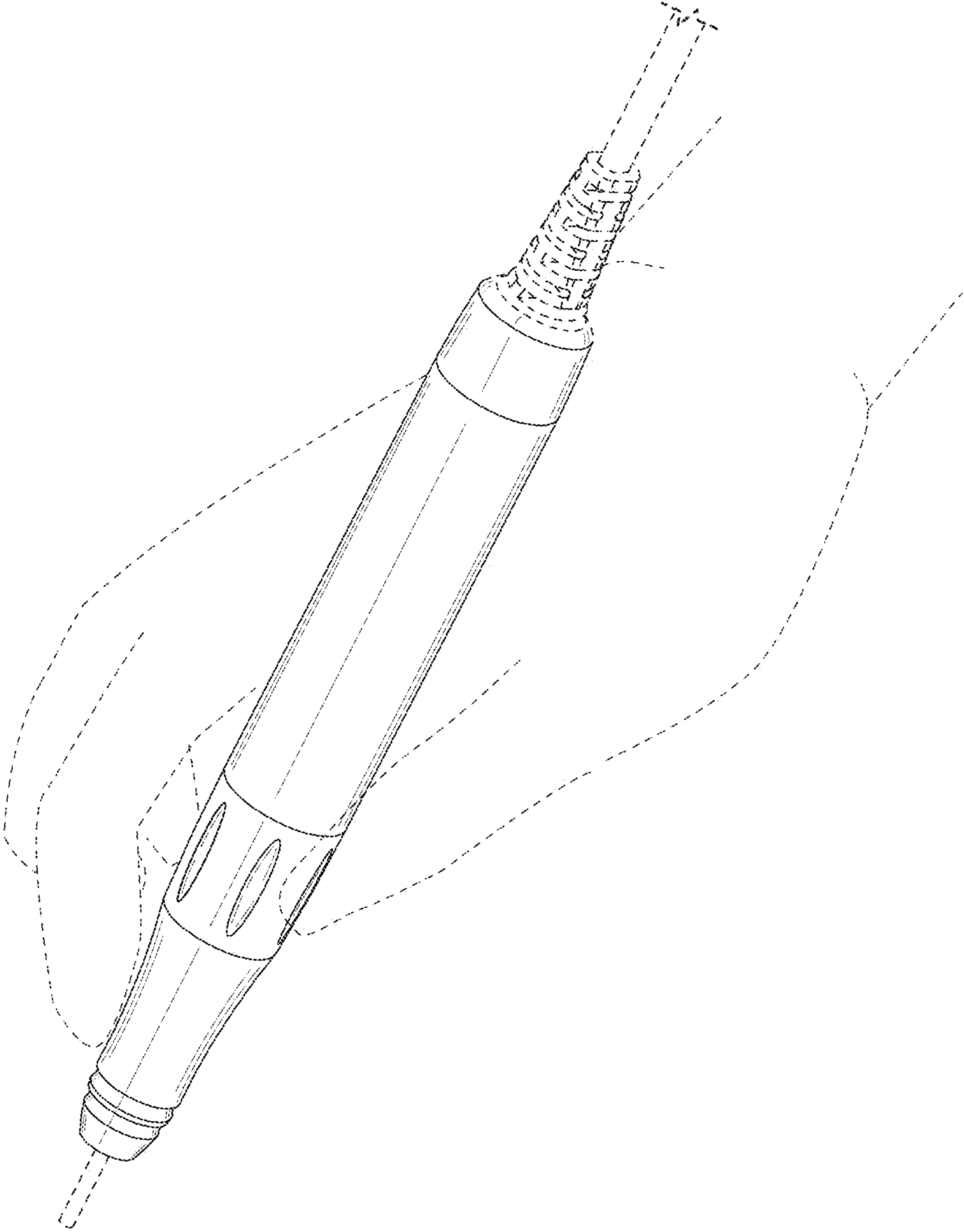


FIG. 9