



US00D912903S

(12) **United States Design Patent** (10) **Patent No.:** **US D912,903 S**
Fu (45) **Date of Patent:** **** Mar. 9, 2021**

(54) **PORTABLE ELECTRIC NAIL DRILL MACHINE**

FOREIGN PATENT DOCUMENTS

(71) Applicant: **Huan-Jie Fu**, Guangdong (CN)

CN 305077824 * 8/2018

(72) Inventor: **Huan-Jie Fu**, Guangdong (CN)

OTHER PUBLICATIONS

(**) Term: **15 Years**

(21) Appl. No.: **29/686,747**

(22) Filed: **Apr. 8, 2019**

(51) **LOC (13) Cl.** **28-03**

(52) **U.S. Cl.**
USPC **D28/58**

(58) **Field of Classification Search**
USPC D13/108, 168; D14/137, 159; D24/133,
D24/146, 214; D28/56, 57, 58, 59, 99
CPC A45D 29/00; A45D 29/05; A45D 29/06;
A45D 29/14; A45D 29/18; A45D 29/20;
A61B 17/54

See application file for complete search history.

35000rpm Potable Nail Drill Machine Electric Nail Drill [online], [site visited Sep. 10, 2020]. Available from internet, URL:<https://www.amazon.com/35000rpm-Electric-Cordless-Rechargeable-Portable/dp/B086L11MYL/ref=asc_df_B086L11MYL/>(Year: 2020).*
25W Multi-Function 35000Rpm Rechargeable Portable Electric Nail Drill Machine [online], [site visited Sep. 10, 2020]. Available from internet, URL:<https://www.aliexpress.com/items/reviews-4000001946276p2.html> (Year: 2019).*

* cited by examiner

Primary Examiner — Cynthia Ramirez
Assistant Examiner — Xavier Marti-Santos

(57) **CLAIM**

The ornamental design for a portable electric nail drill machine, as shown and described.

(56) **References Cited**

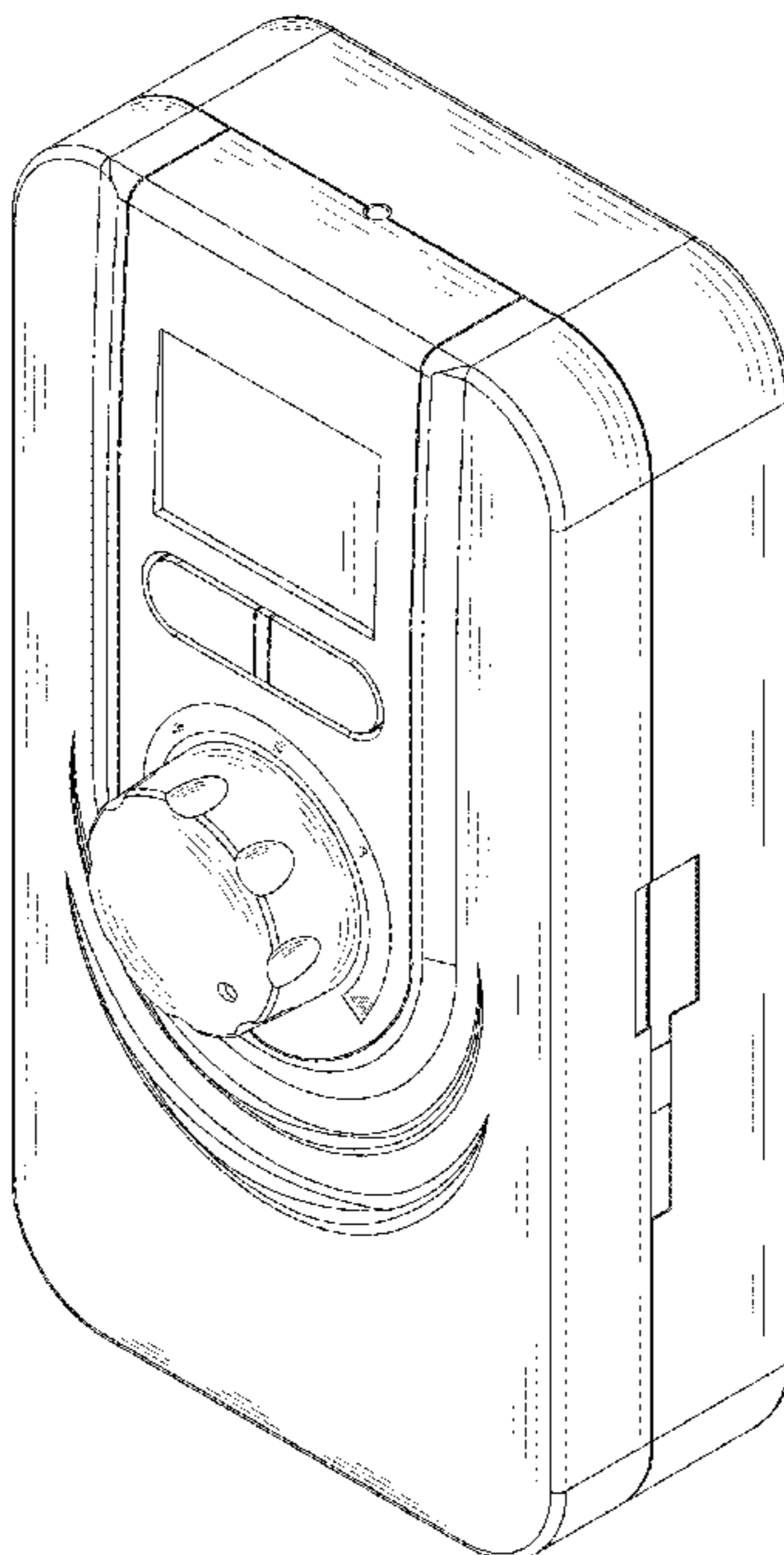
DESCRIPTION

U.S. PATENT DOCUMENTS

D511,401 S * 11/2005 Park D28/58
D530,424 S * 10/2006 Manser D24/169
D603,561 S * 11/2009 Cho D28/58
D607,847 S * 1/2010 Elliott D13/168
D822,280 S * 7/2018 Dadon D28/58
D825,107 S * 8/2018 Du D28/58
D867,322 S * 11/2019 Yan D14/155
D868,724 S * 12/2019 Xie D14/159
D889,426 S * 7/2020 Fu D14/159
D895,210 S * 9/2020 Wu D28/58
2006/0137703 A1 * 6/2006 Kling A45D 29/05
132/73.6
2013/0092182 A1 * 4/2013 Stockbauer A61B 17/54
132/75.8

FIG. 1 is a top plan view of a portable electric nail drill machine showing my new design;
FIG. 2 is a rear side elevational view thereof;
FIG. 3 is a perspective view thereof;
FIG. 4 is a bottom plan view thereof;
FIG. 5 is a right side elevational view thereof;
FIG. 6 is a front side elevational view thereof; and,
FIG. 7 is a left side elevational view thereof.
The broken lines in the figures are for the purposes of illustrating portions of the portable electric nail drill machine, which form no part of the claimed design.

1 Claim, 7 Drawing Sheets



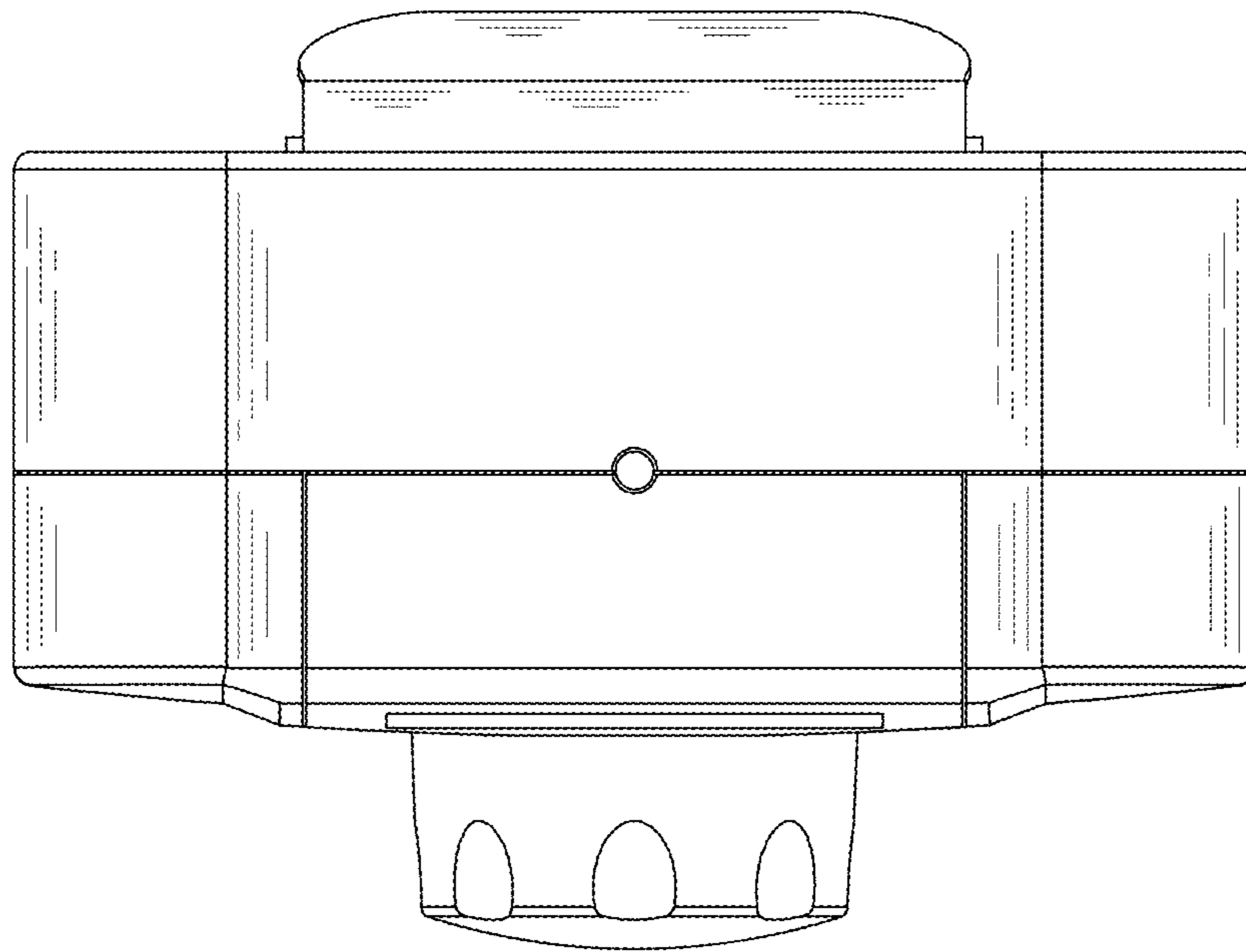


FIG. 1

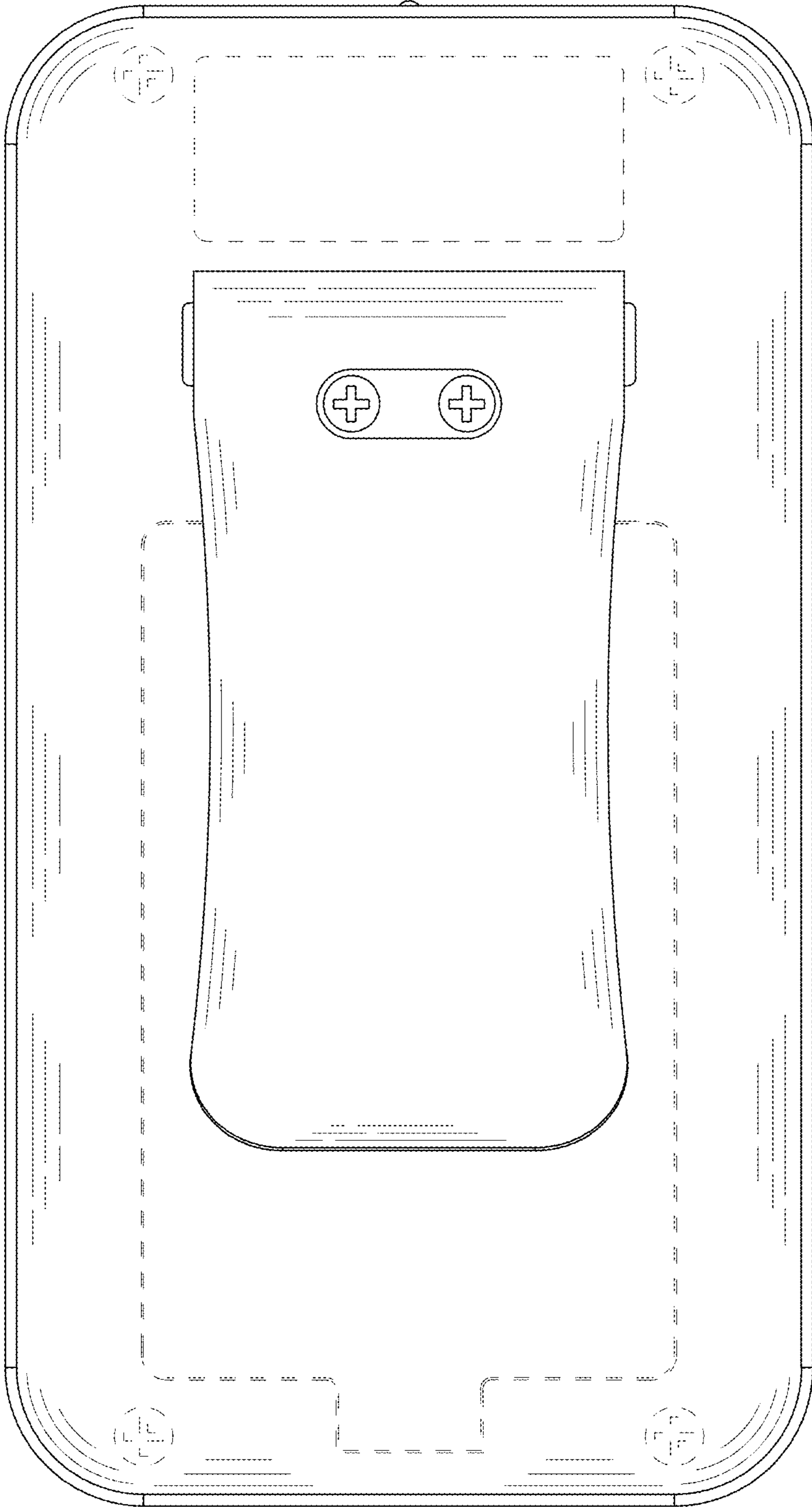


FIG. 2

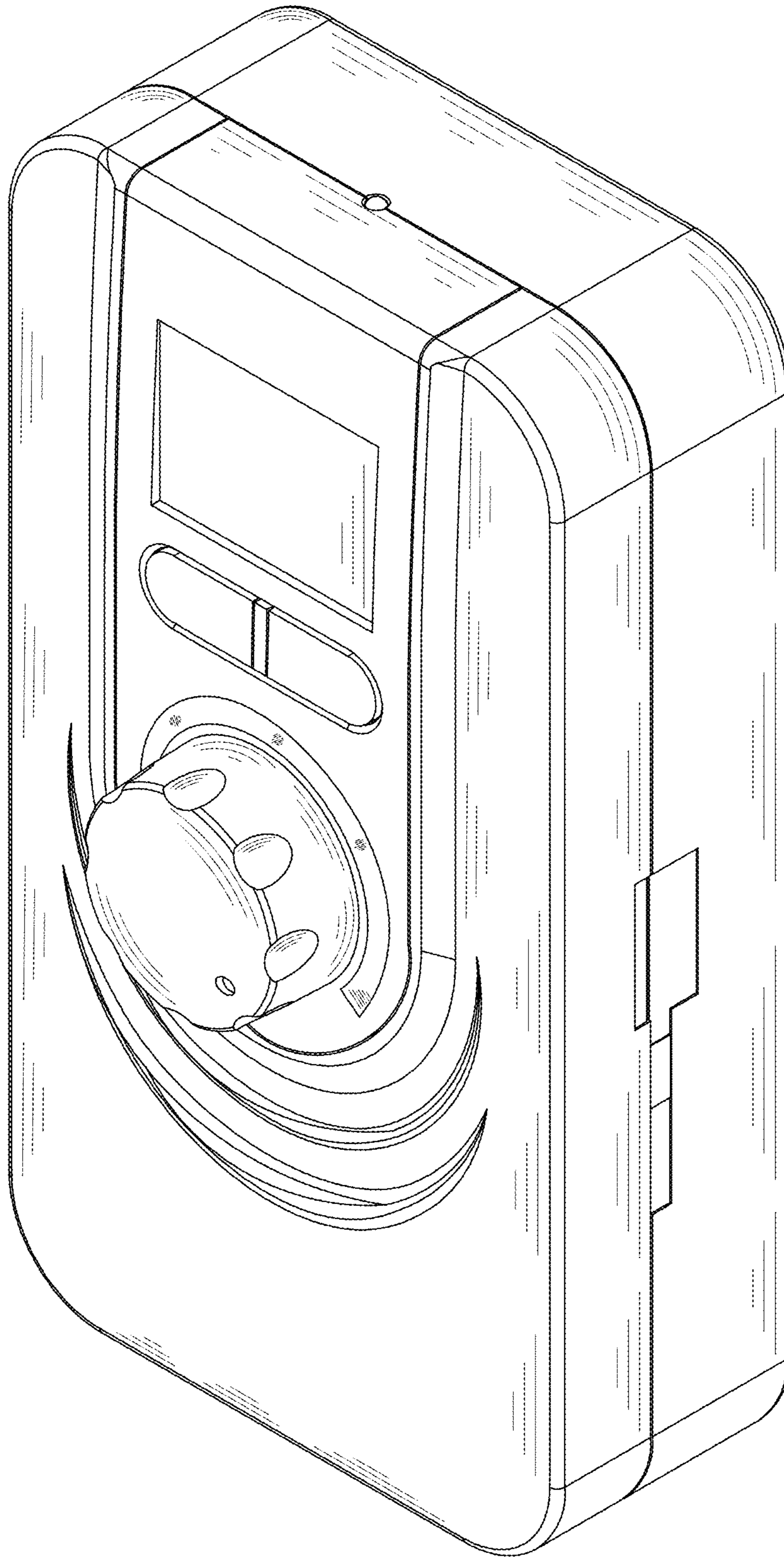


FIG. 3

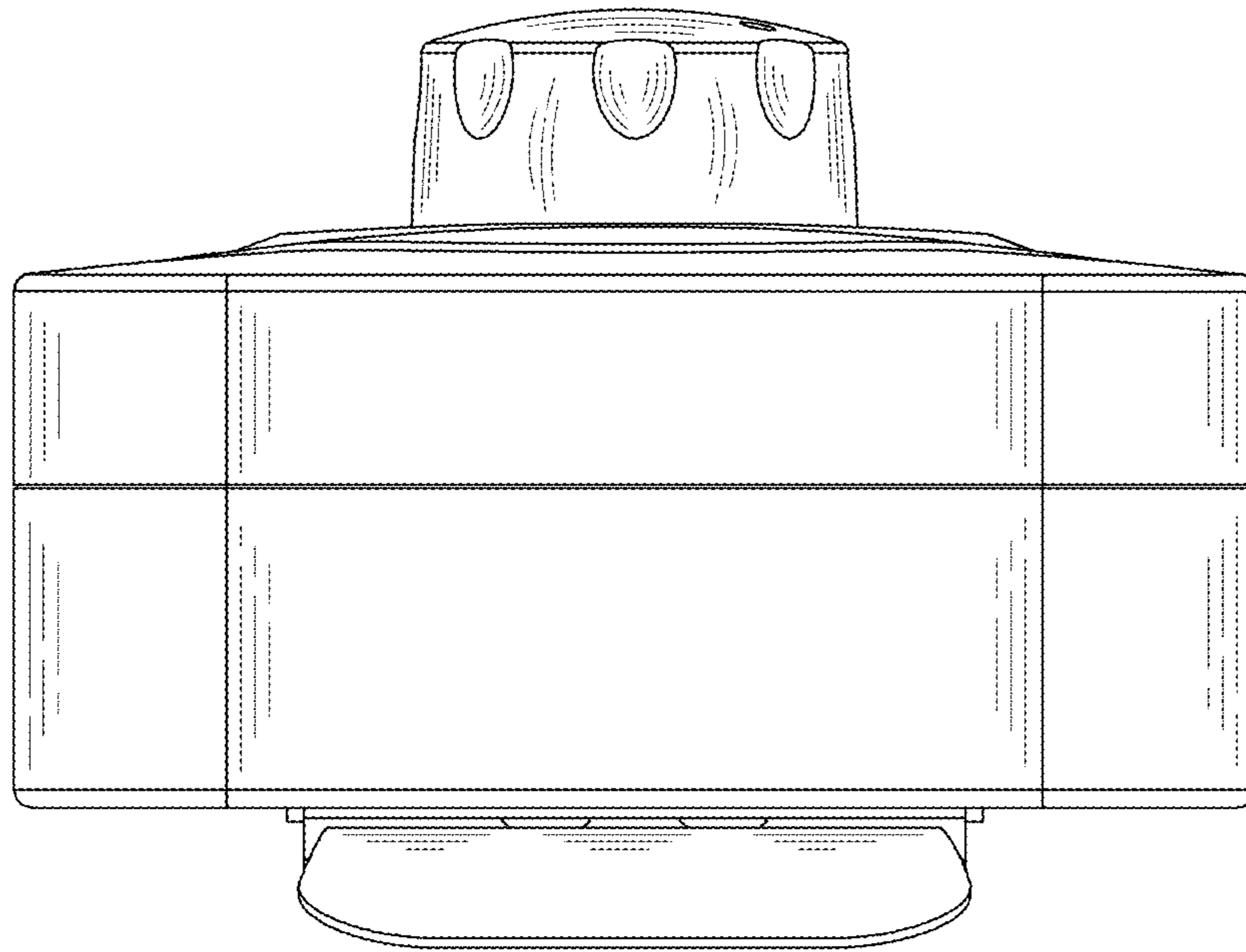


FIG. 4

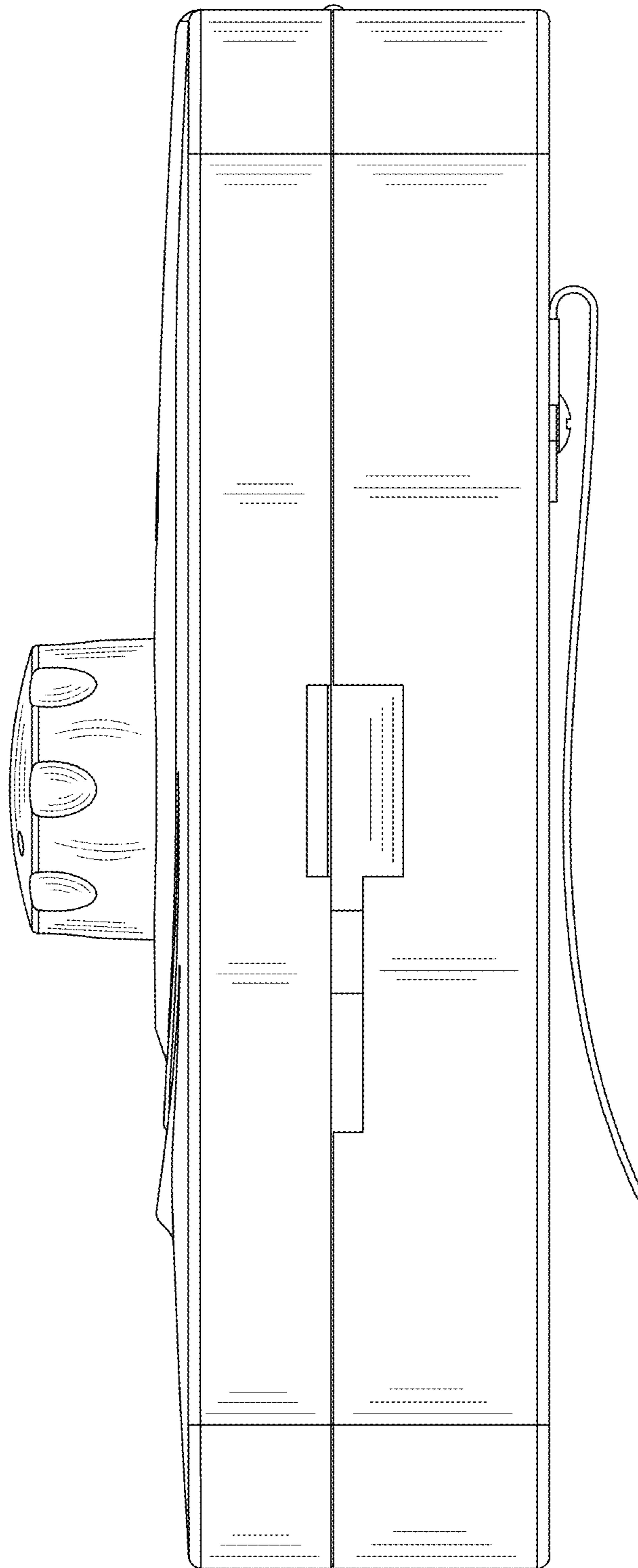


FIG. 5

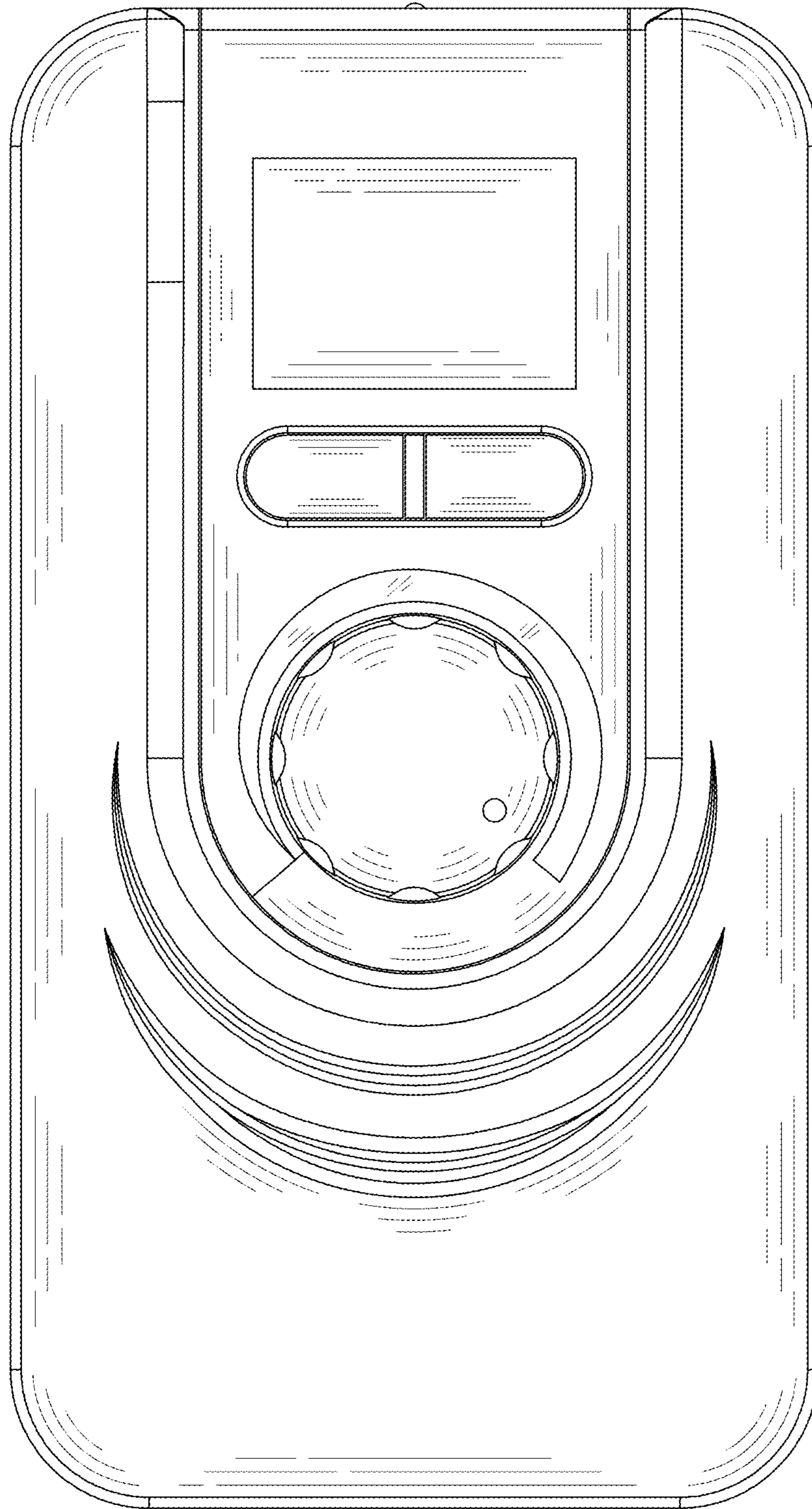


FIG. 6

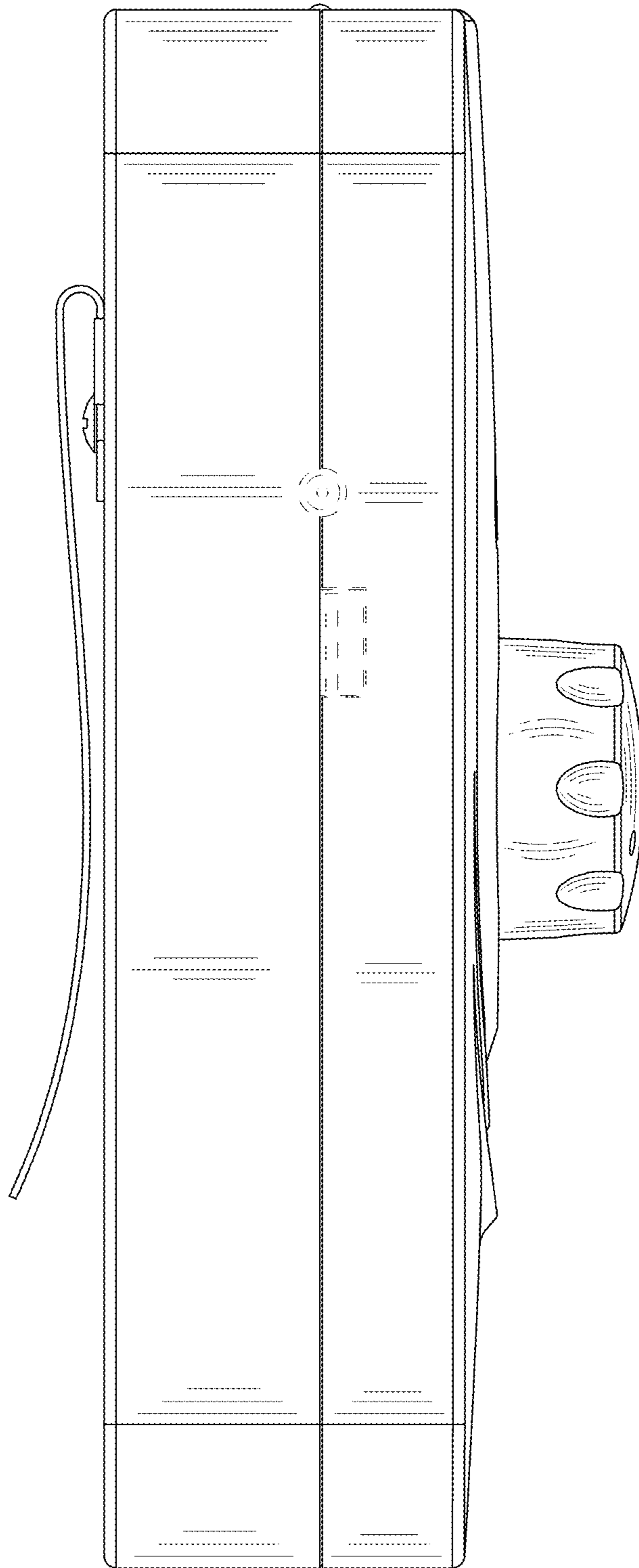


FIG. 7