



US00D912902S

(12) **United States Design Patent** (10) **Patent No.:** **US D912,902 S**  
**Andersson et al.** (45) **Date of Patent:** **\*\* \*Mar. 9, 2021**

(54) **SHAVER**

(71) Applicant: **KONINKLIJKE PHILIPS N.V.**,  
Eindhoven (NL)

(72) Inventors: **Jens Peter Kophmann Andersson**,  
Eindhoven (NL); **Seth Peter Malkin Frankel**,  
Eindhoven (NL)

(73) Assignee: **KONINKLIJKE PHILLIPS N.V.**,  
Eindhoven (NL)

(\*) Notice: This patent is subject to a terminal disclaimer.

(\*\*) Term: **15 Years**

(21) Appl. No.: **29/661,101**

(22) Filed: **Aug. 24, 2018**

(30) **Foreign Application Priority Data**

Feb. 27, 2018 (EM) ..... 004728061

(51) **LOC (13) Cl.** ..... **28-03**

(52) **U.S. Cl.**  
USPC ..... **D28/50**

(58) **Field of Classification Search**  
USPC ..... D28/50

(Continued)

(56) **References Cited**

**U.S. PATENT DOCUMENTS**

D737,514 S \* 8/2015 Roland ..... D28/50  
D758,014 S \* 5/2016 Smith ..... D28/50

(Continued)

*Primary Examiner* — Jennifer Rivard

(57) **CLAIM**

The ornamental design for a shaver, as shown and described.

**DESCRIPTION**

FIG. 1 is a perspective view showing the first embodiment of a shaver design;

FIG. 2 is a front elevational view thereof;  
 FIG. 3 is a rear elevational view thereof;  
 FIG. 4 is a right side elevational view thereof;  
 FIG. 5 is a left side elevational view thereof;  
 FIG. 6 is a top plan view thereof;  
 FIG. 7 is a bottom plan view thereof;  
 FIG. 8 is a perspective view showing a second embodiment of a shaver design;  
 FIG. 9 is a front elevational view thereof;  
 FIG. 10 is a rear elevational view thereof;  
 FIG. 11 is a right side elevational view thereof;  
 FIG. 12 is a left side elevational view thereof;  
 FIG. 13 is a top plan view thereof;  
 FIG. 14 is a bottom plan view thereof.  
 FIG. 15 is a perspective view showing a third embodiment of a shaver design;  
 FIG. 16 is a front elevational view thereof;  
 FIG. 17 is a rear elevational view thereof;  
 FIG. 18 is a right side elevational view thereof;  
 FIG. 19 is a left side elevational view thereof;  
 FIG. 20 is a top plan view thereof;  
 FIG. 21 is a bottom plan view thereof;  
 FIG. 22 is a perspective view showing a fourth embodiment of a shaver design;  
 FIG. 23 is a front elevational view thereof;  
 FIG. 24 is a rear elevational view thereof;  
 FIG. 25 is a right side elevational view thereof;  
 FIG. 26 is a left side elevational view thereof;  
 FIG. 27 is a top plan view thereof;  
 FIG. 28 is a bottom plan view thereof;  
 FIG. 29 is a perspective view showing a fifth embodiment of a shaver design;  
 FIG. 30 is a front elevational view thereof;  
 FIG. 31 is a rear elevational view thereof;  
 FIG. 32 is a right side elevational view thereof;  
 FIG. 33 is a left side elevational view thereof;  
 FIG. 34 is a top plan view thereof;  
 FIG. 35 is a bottom plan view thereof;  
 FIG. 36 is a perspective view showing a sixth embodiment of a shaver design;  
 FIG. 37 is a front elevational view thereof;  
 FIG. 38 is a rear elevational view thereof;  
 FIG. 39 is a right side elevational view thereof;  
 FIG. 40 is a left side elevational view thereof;

(Continued)

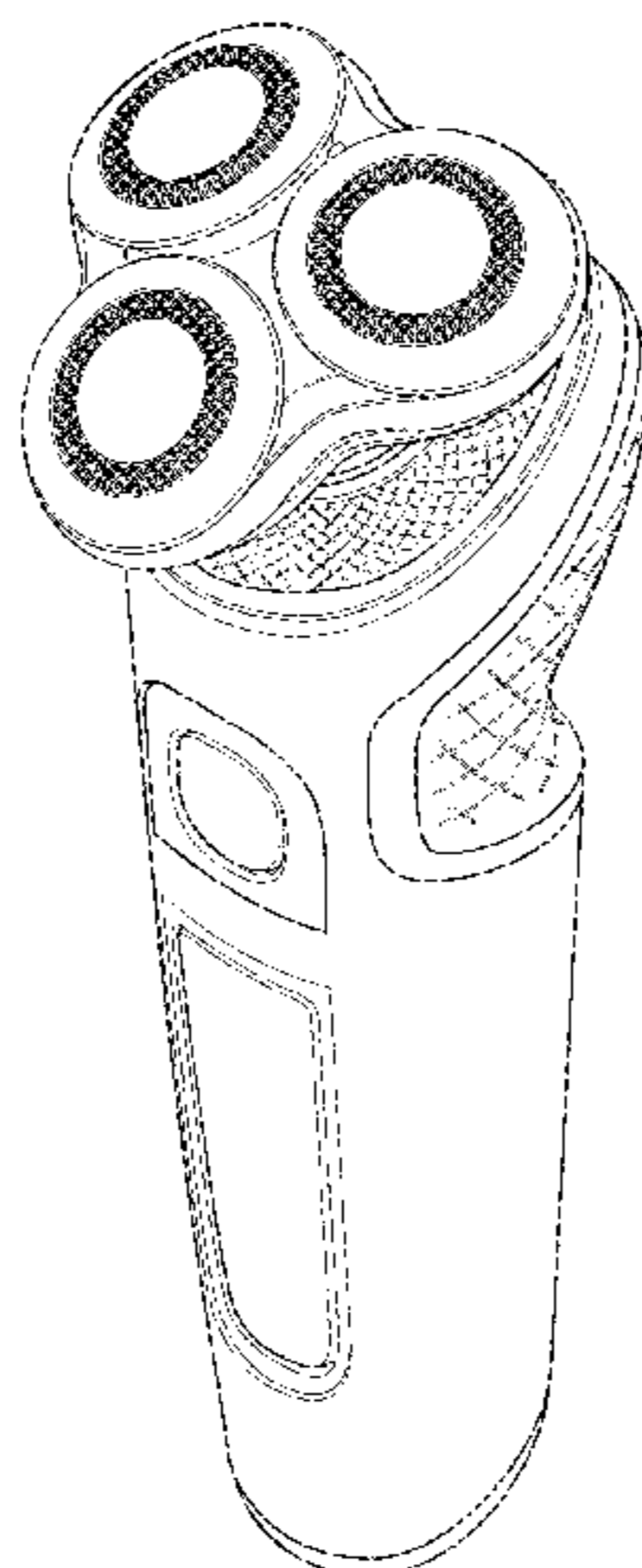


FIG. 41 is a top plan view thereof;  
FIG. 42 is a bottom plan view thereof;  
FIG. 43 is a perspective view showing a seventh embodiment of a shaver design;  
FIG. 44 is a front elevational view thereof;  
FIG. 45 is a rear elevational view thereof;  
FIG. 46 is a right side elevational view thereof;  
FIG. 47 is a left side elevational view thereof;  
FIG. 48 is a top plan view thereof; and,  
FIG. 49 is a bottom plan view thereof.  
The broken lines illustrate a portion of the shaver that forms no part of the claimed design.

**1 Claim, 49 Drawing Sheets**

(58) **Field of Classification Search**

CPC .... B26B 19/20–205; B26B 19/00–107; B26B  
19/12–18; B26B 19/22–24; B26B  
19/26–265; B26B 19/38–48

See application file for complete search history.

(56) **References Cited**

U.S. PATENT DOCUMENTS

D758,017	S	*	5/2016	Smith	.....	D28/50
D776,348	S	*	1/2017	Frankel	.....	D28/50
D777,375	S	*	1/2017	Frankel	.....	D28/50
D777,376	S	*	1/2017	Frankel	.....	D28/50
9,919,437	B2	*	3/2018	Veltman	.....	B26B 19/388
10,357,890	B2	*	7/2019	Yan	.....	C08L 83/04

\* cited by examiner

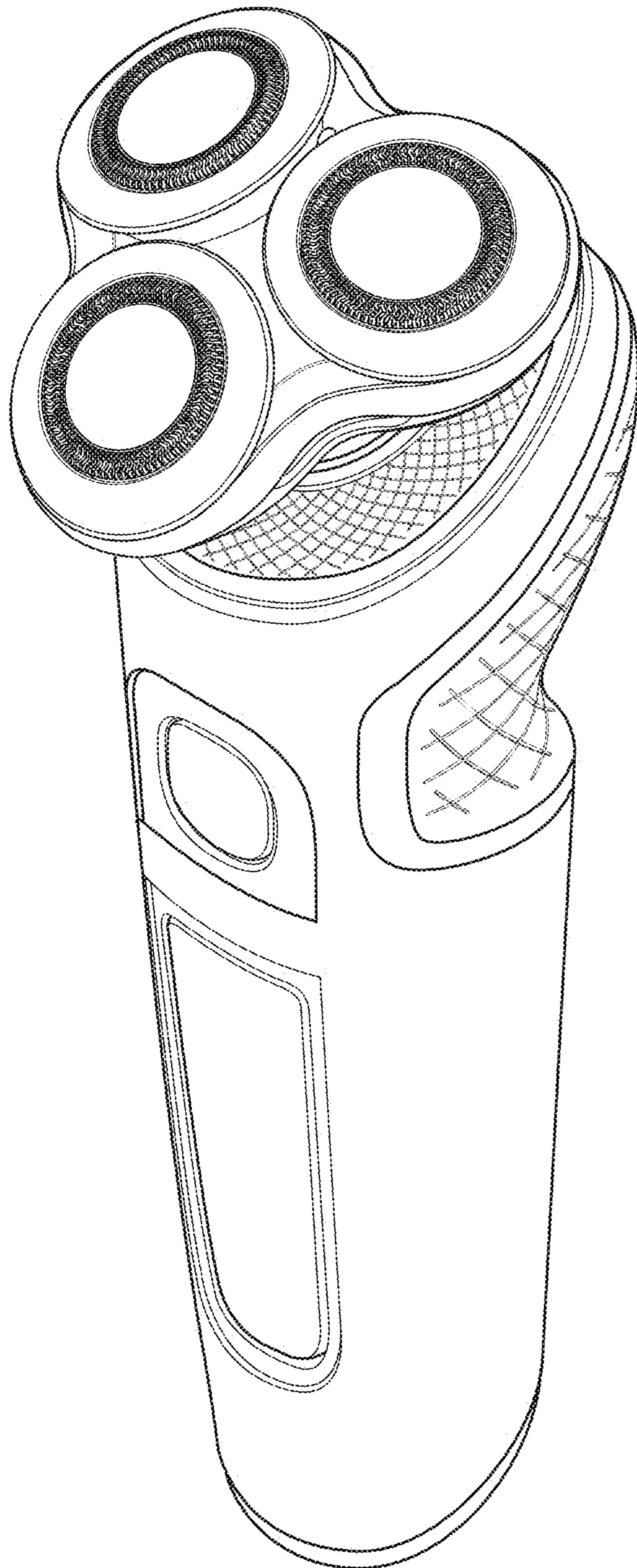


FIG. 1

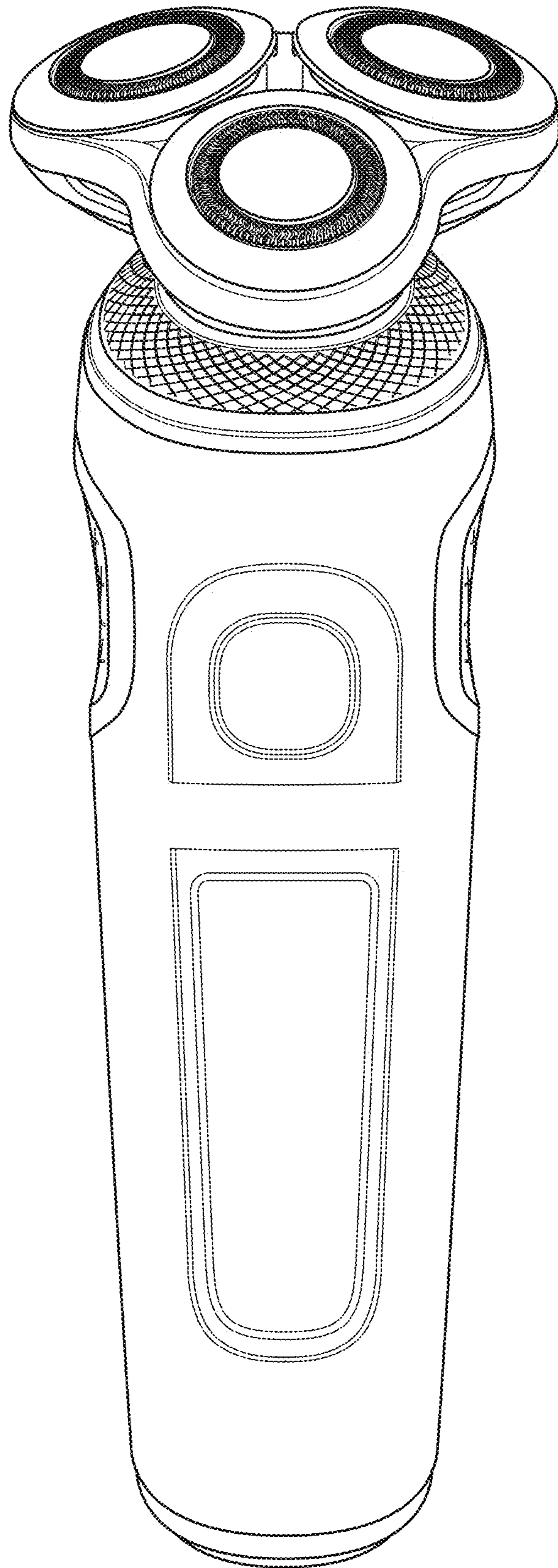


FIG. 2

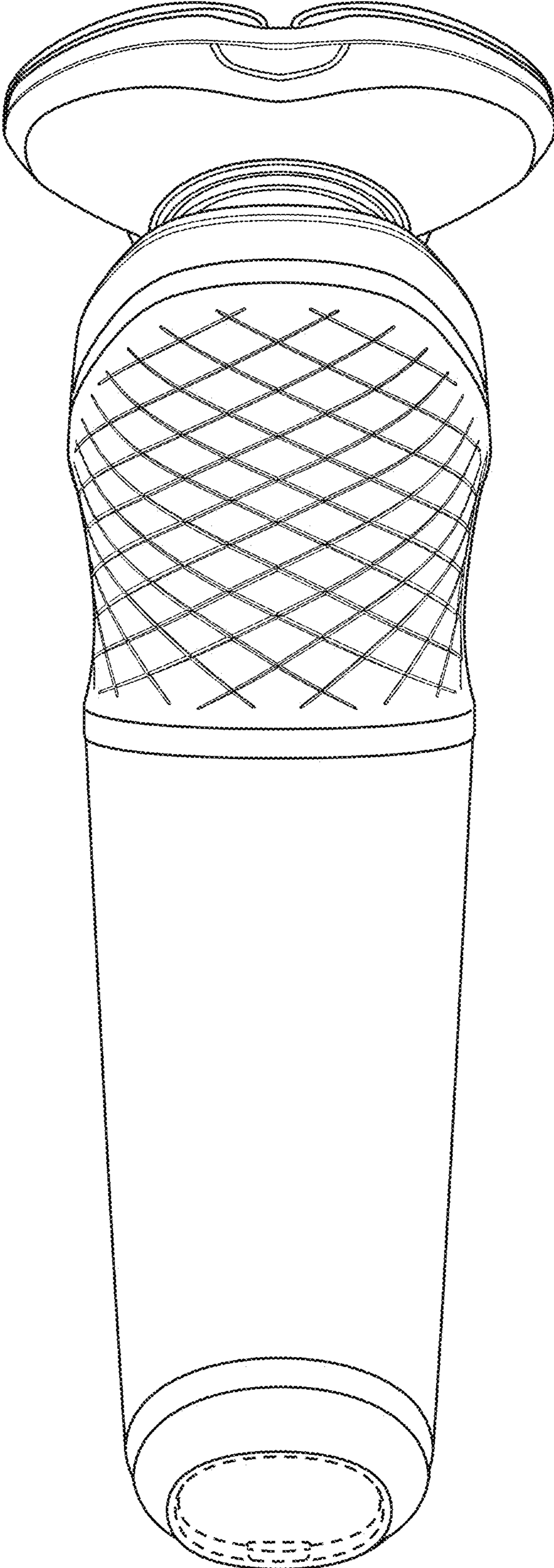


FIG. 3

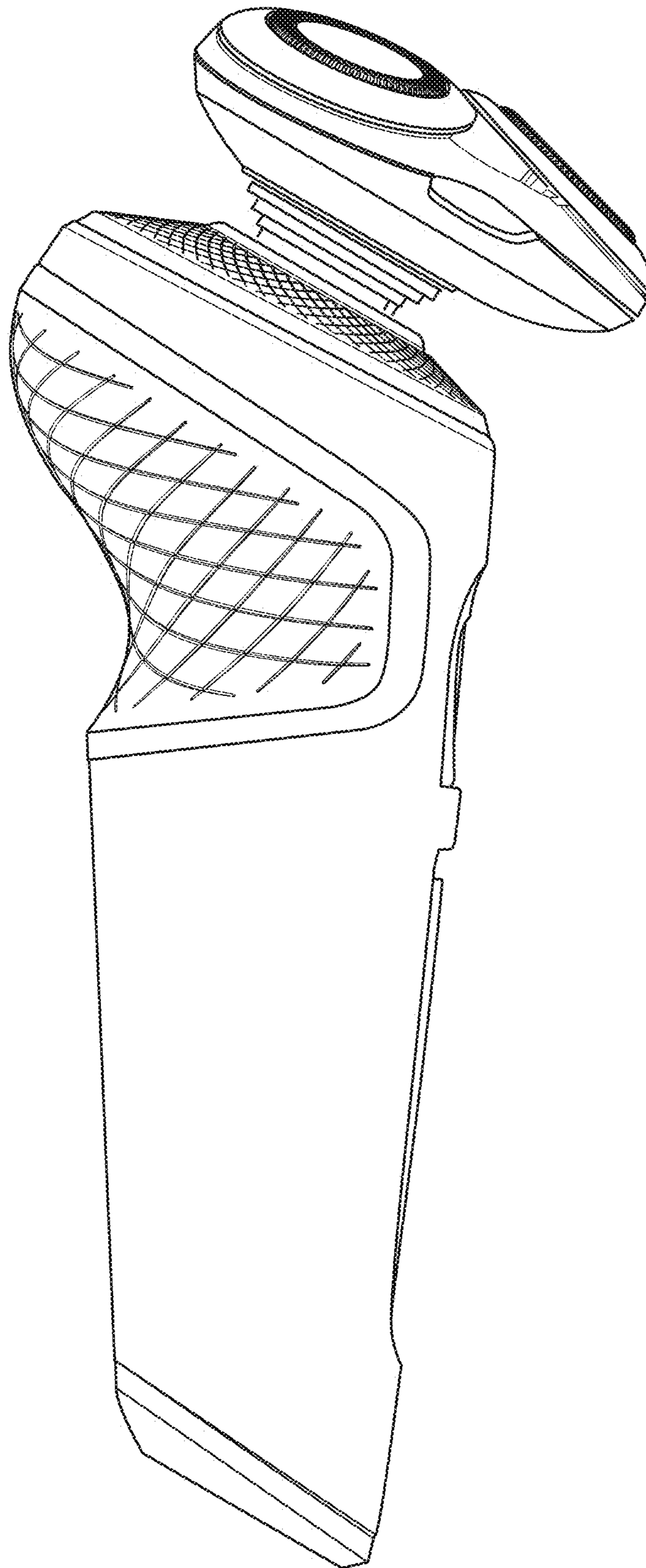


FIG. 4

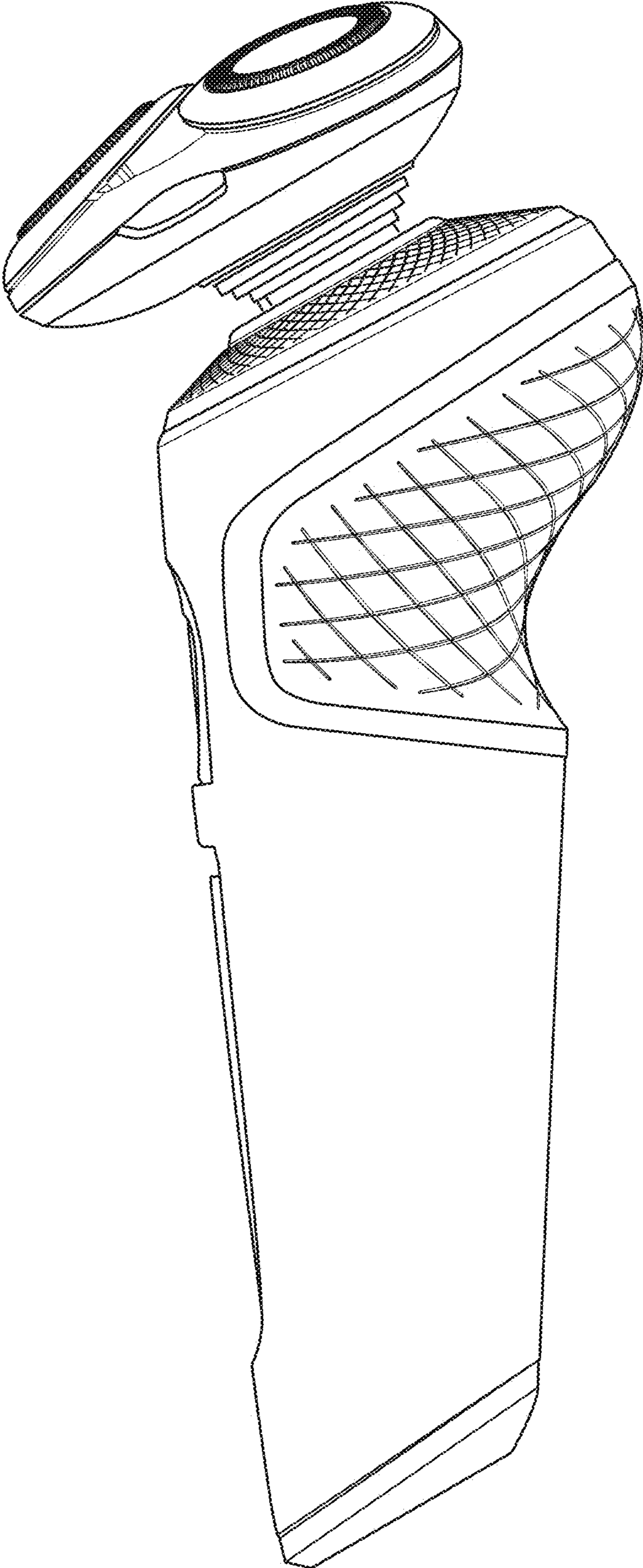


FIG. 5

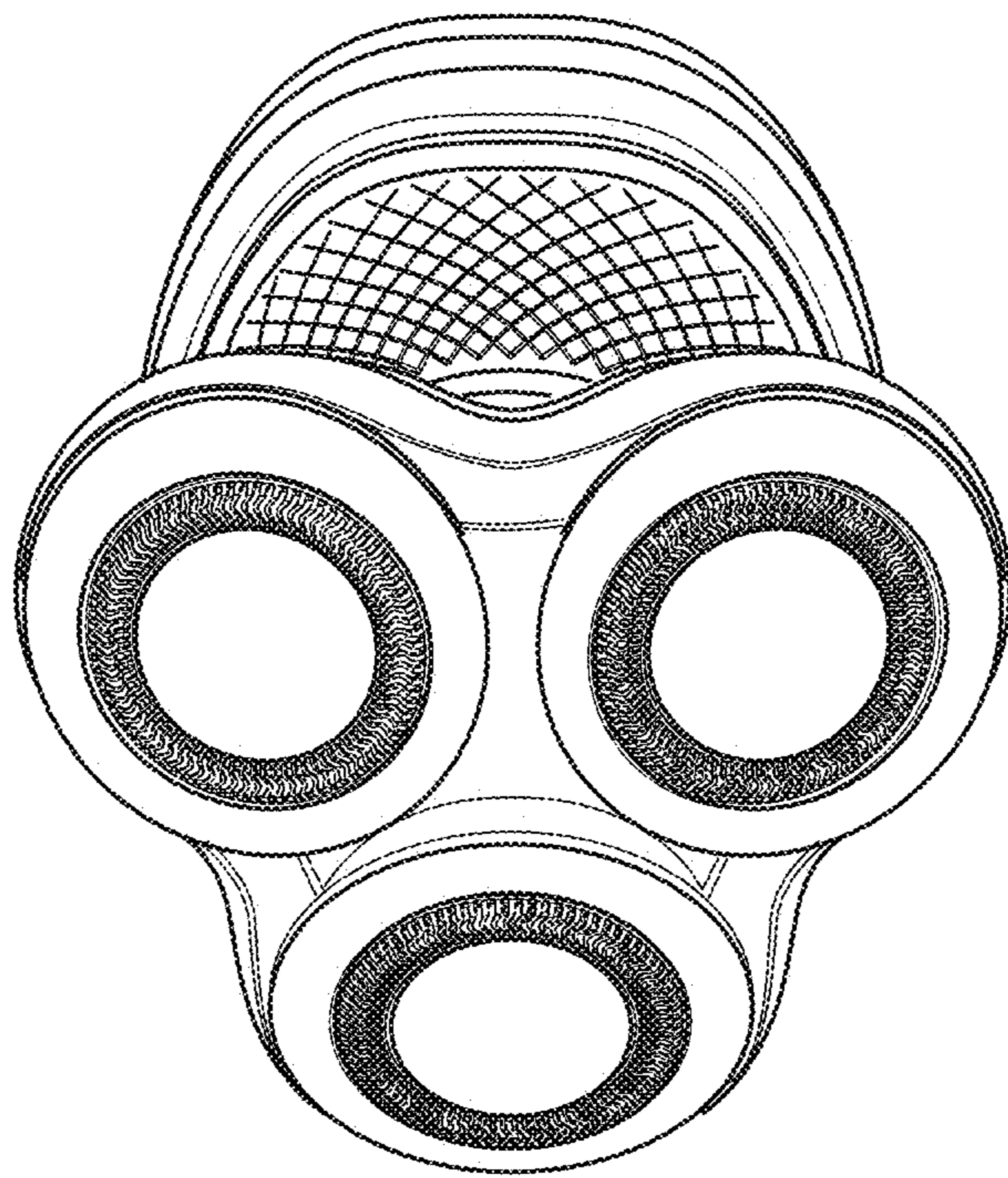


FIG. 6



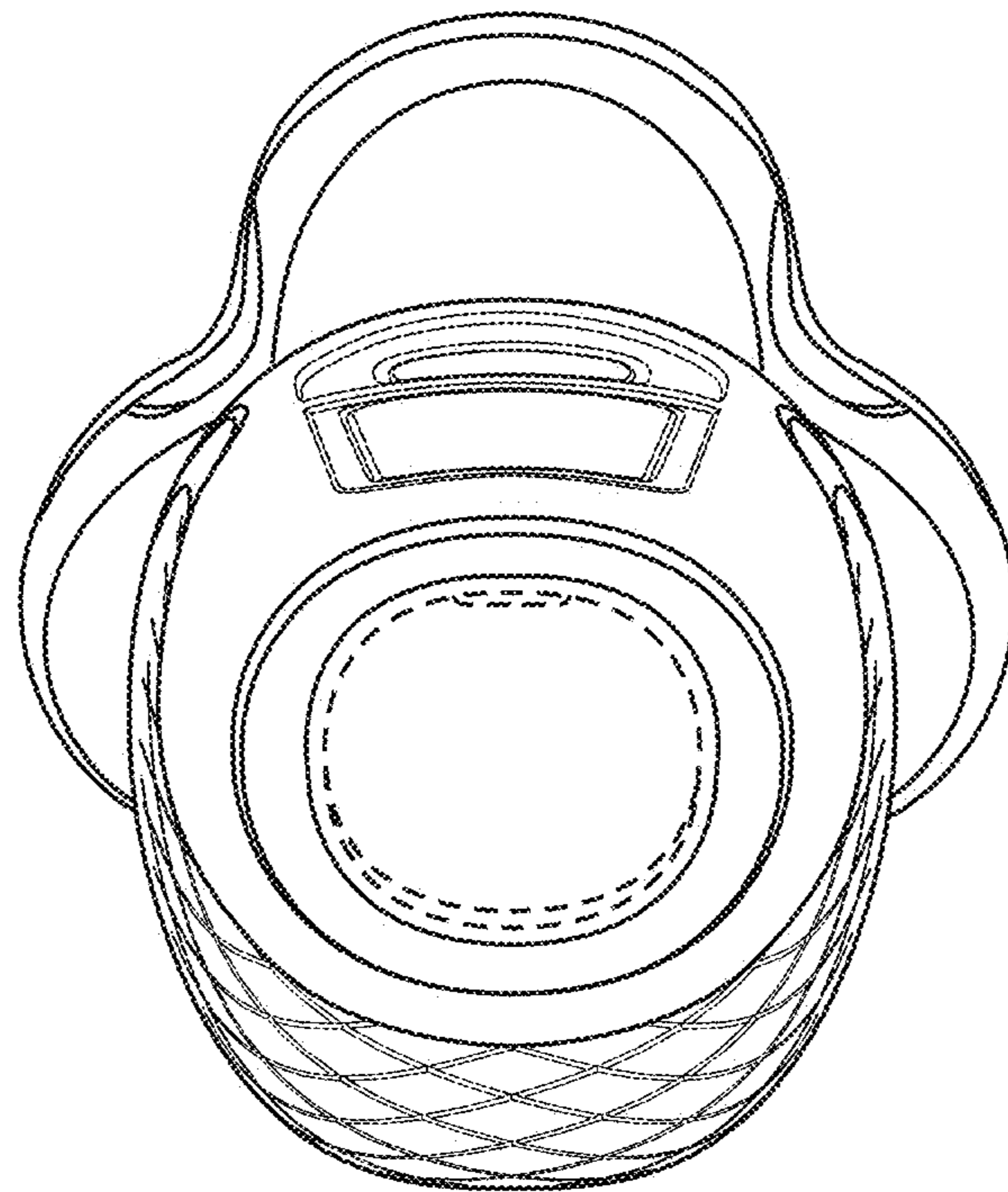


FIG. 7

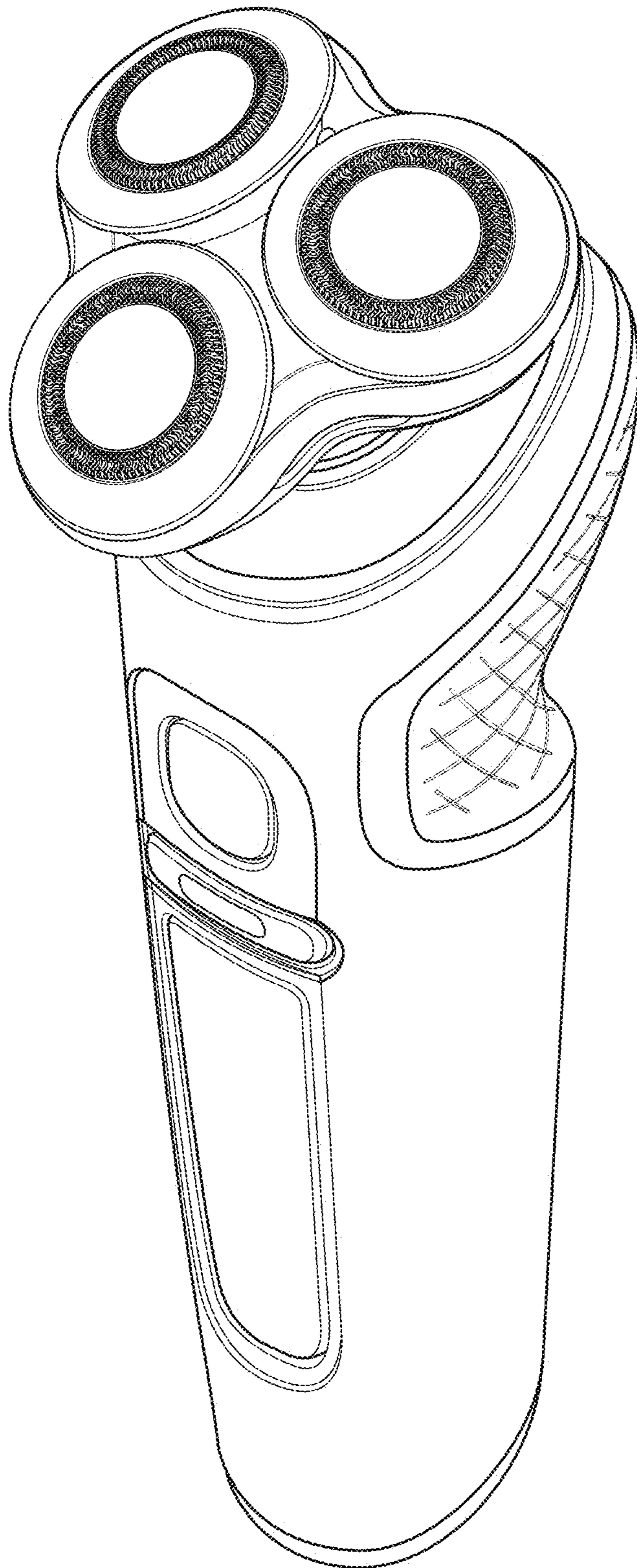


FIG. 8

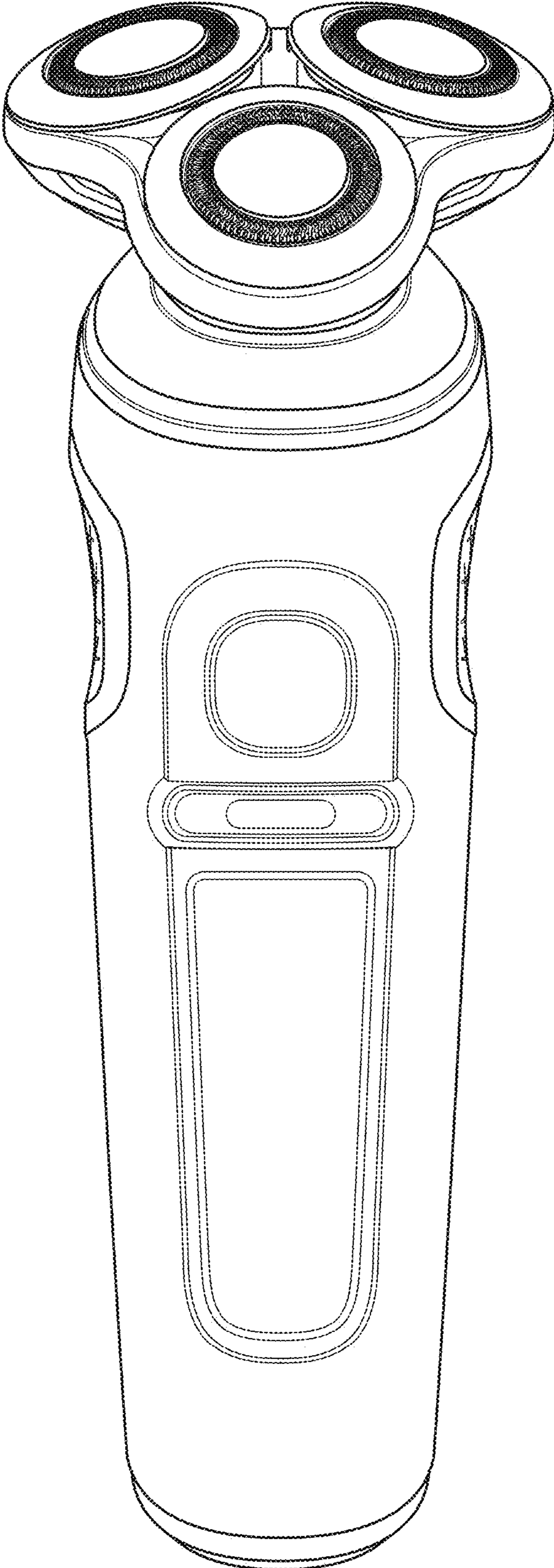


FIG. 9

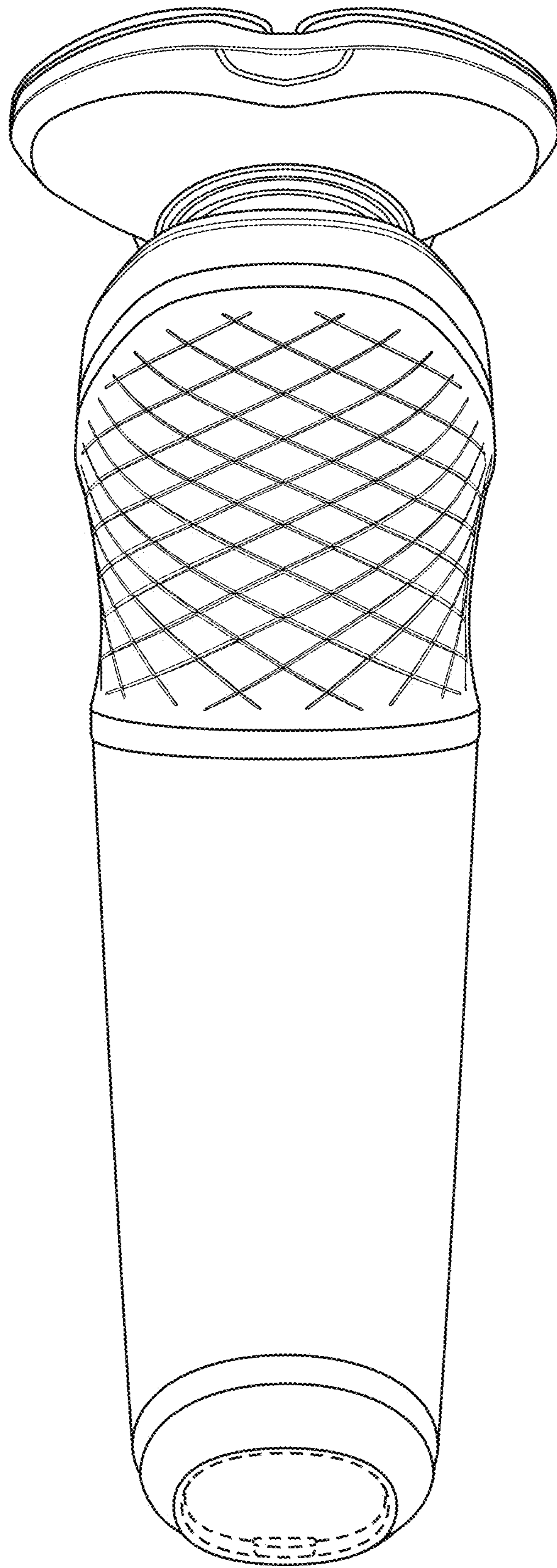


FIG. 10

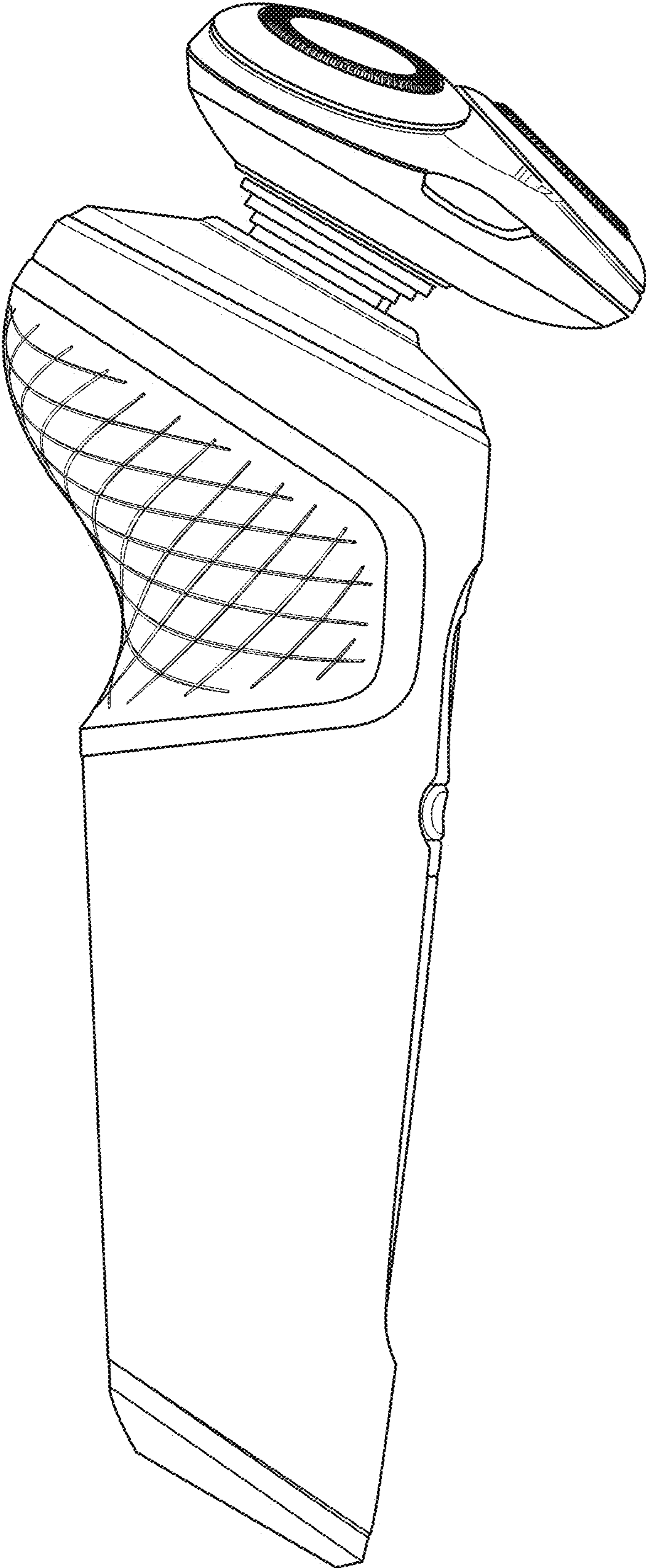


FIG. 11

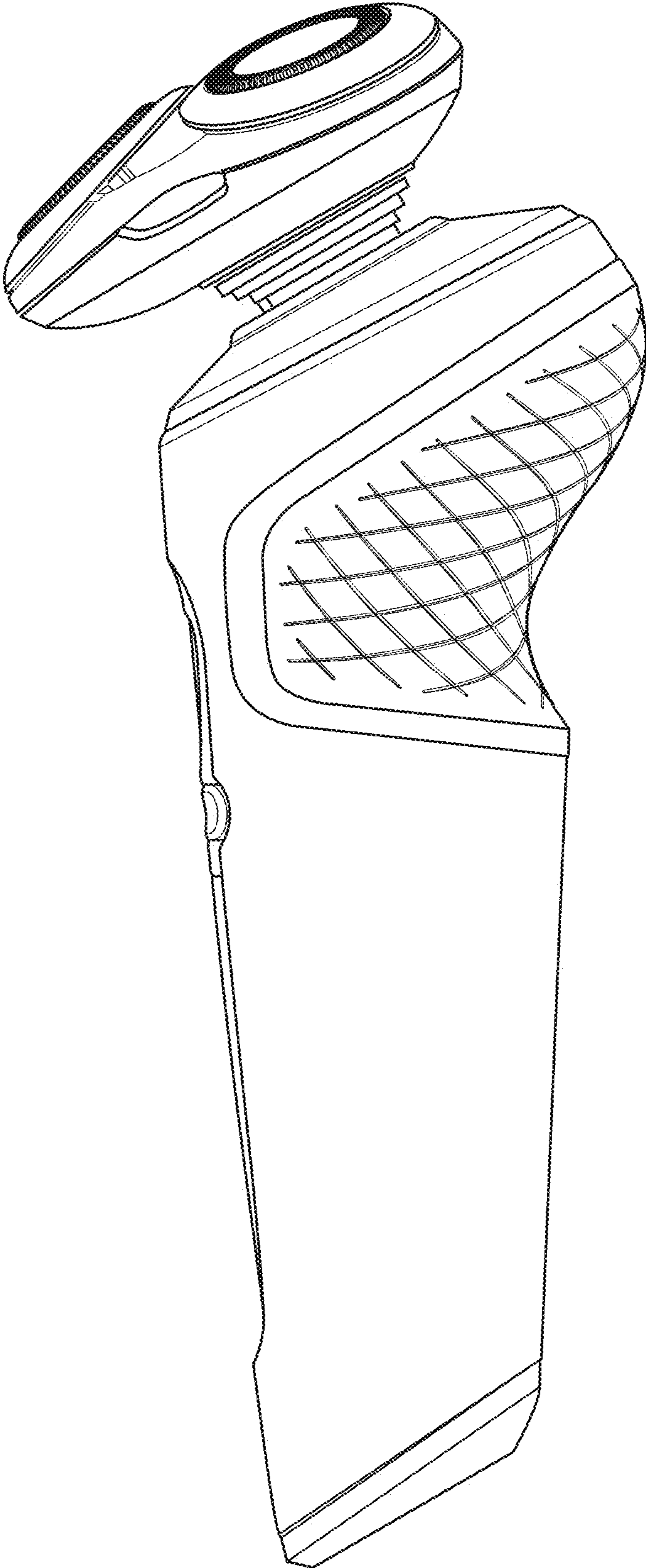


FIG. 12

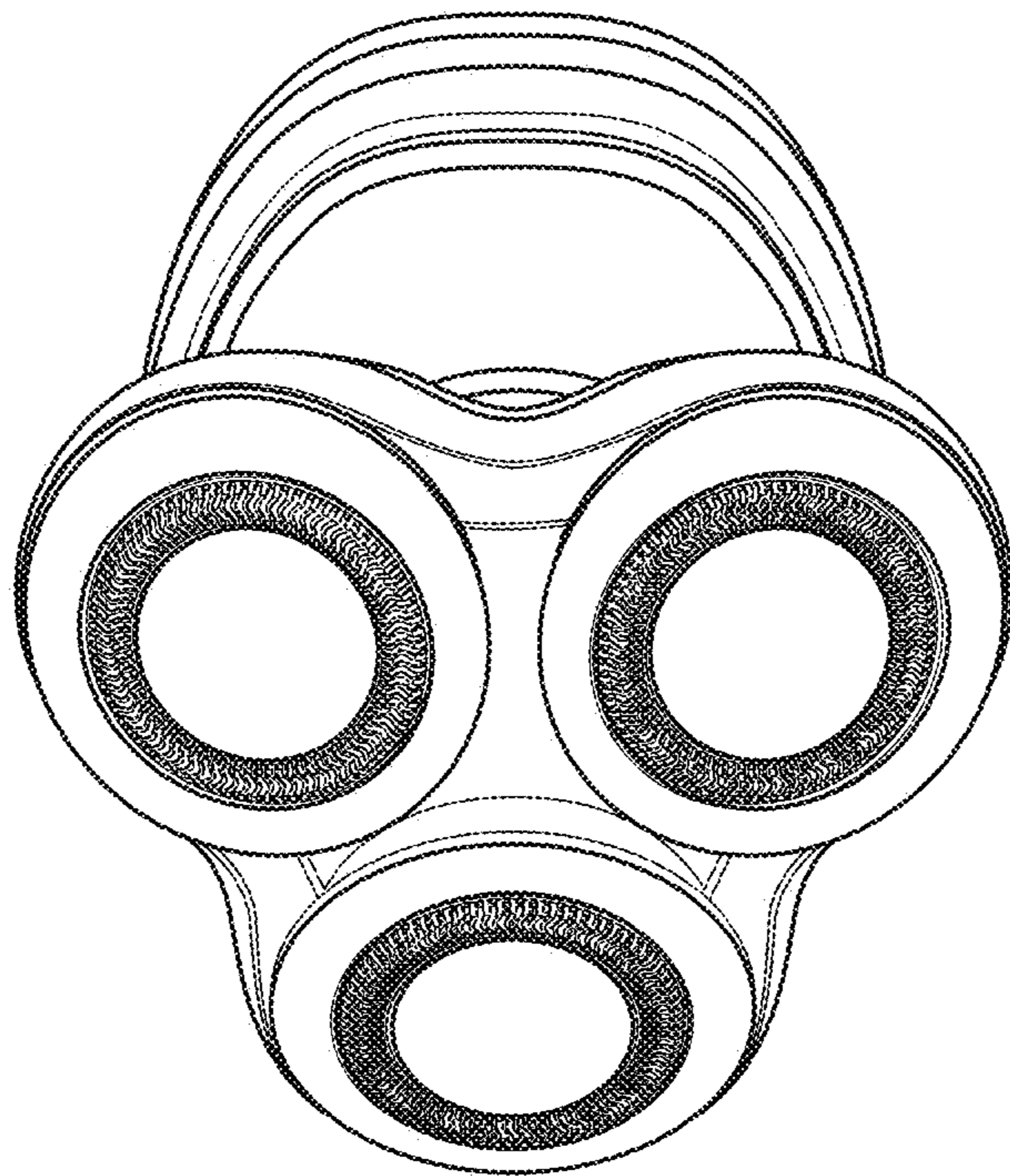


FIG. 13

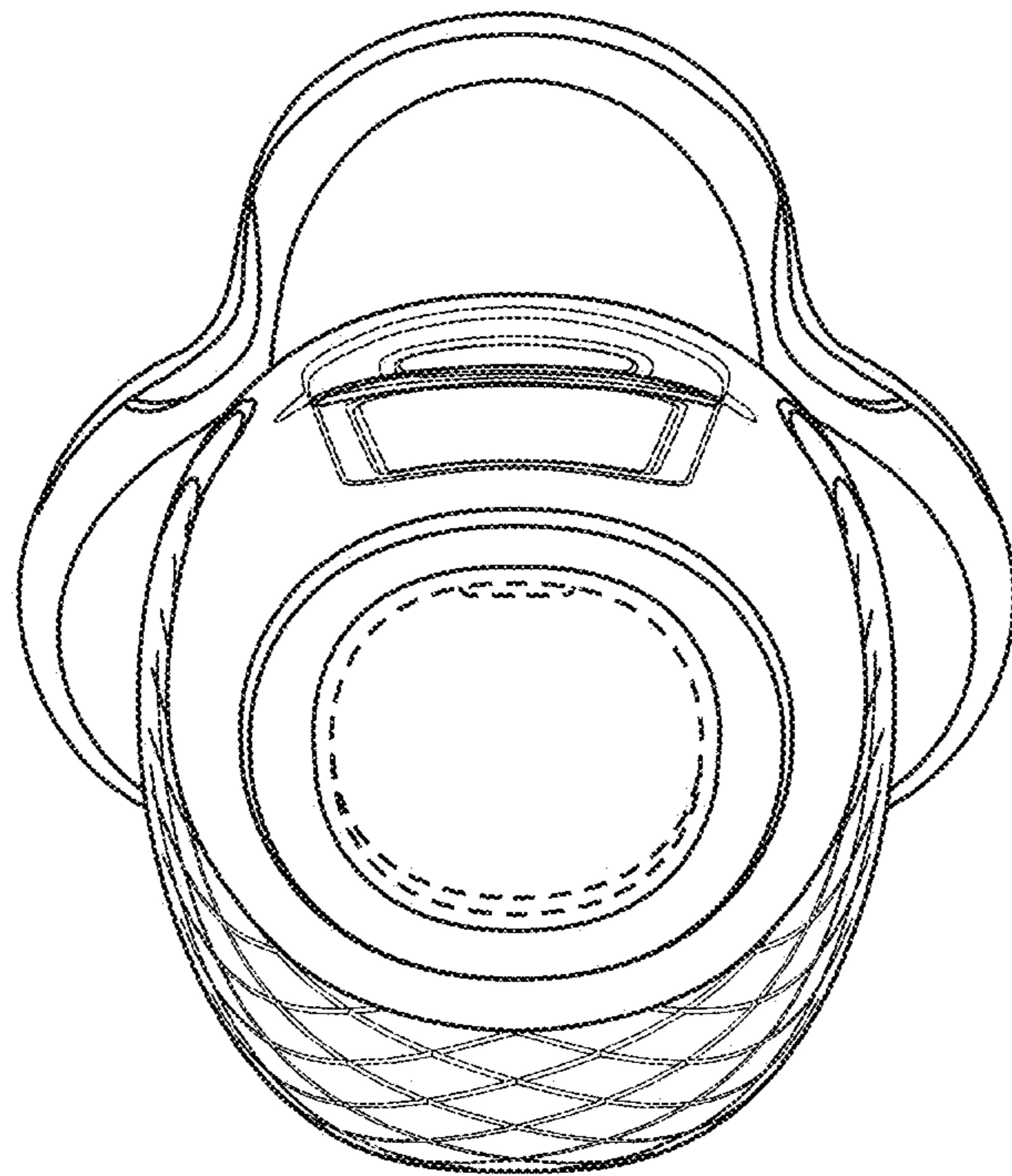


FIG. 14



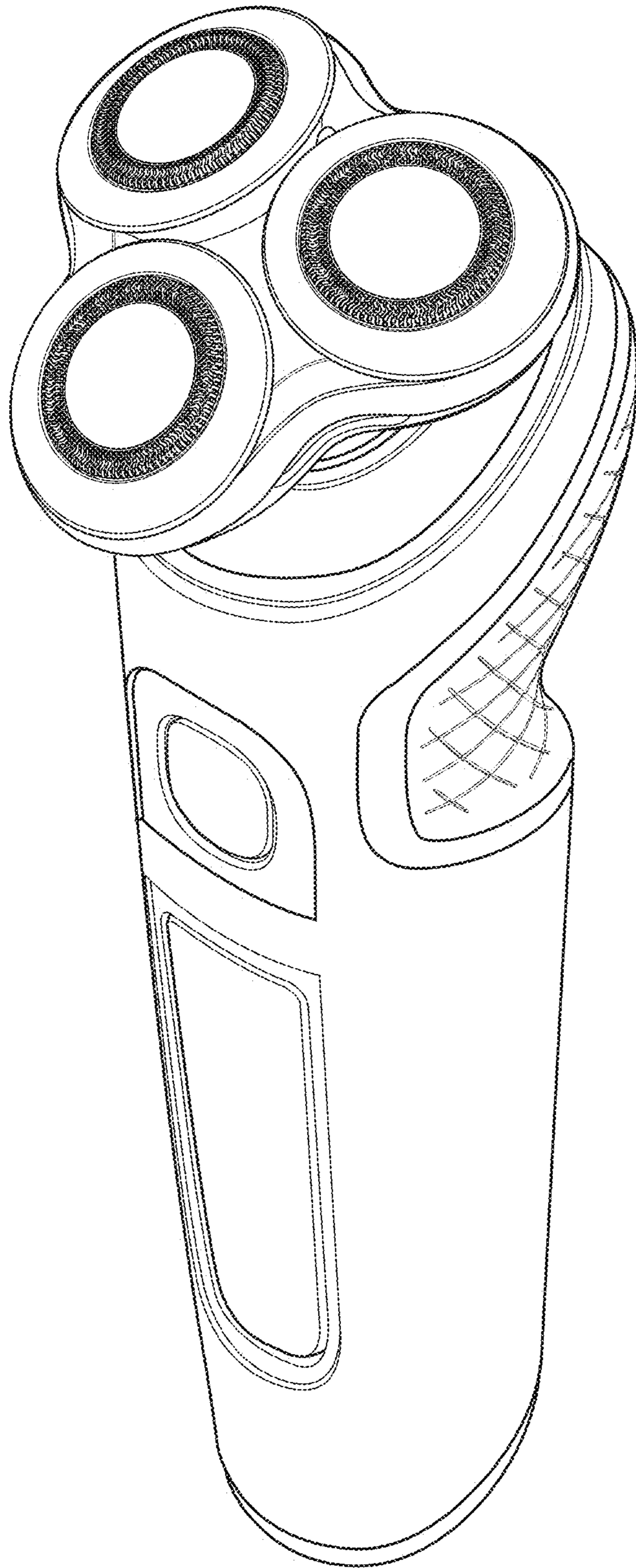


FIG. 15

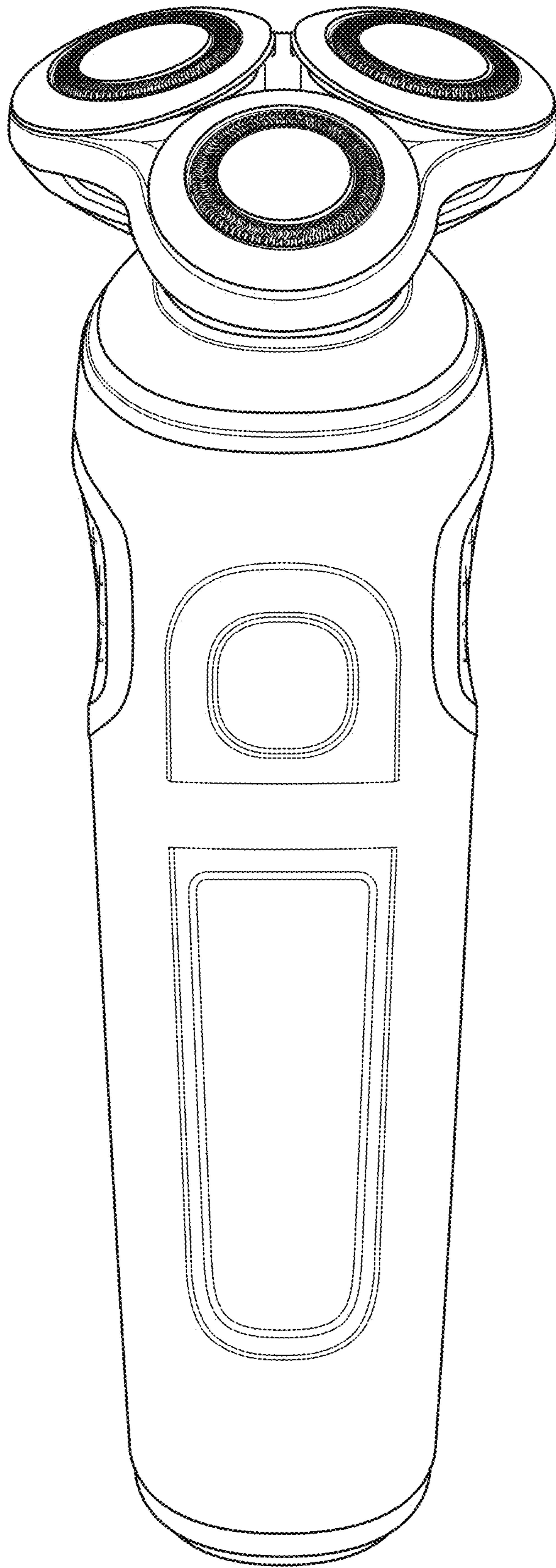


FIG. 16

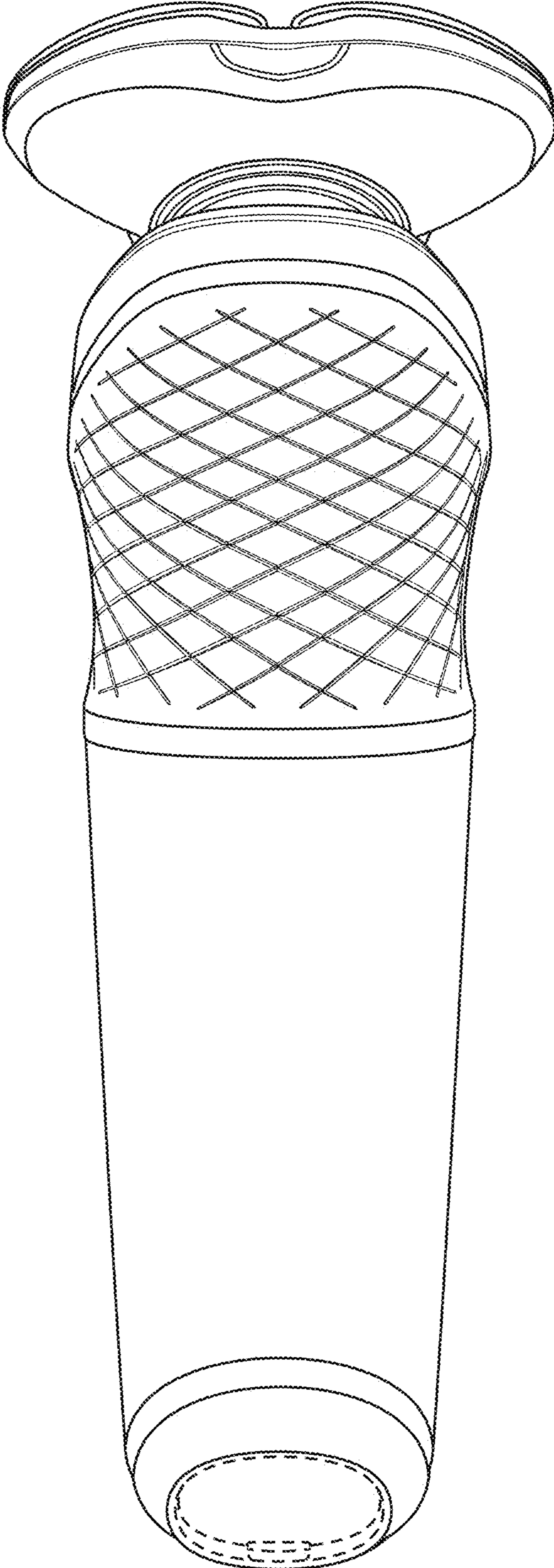


FIG. 17

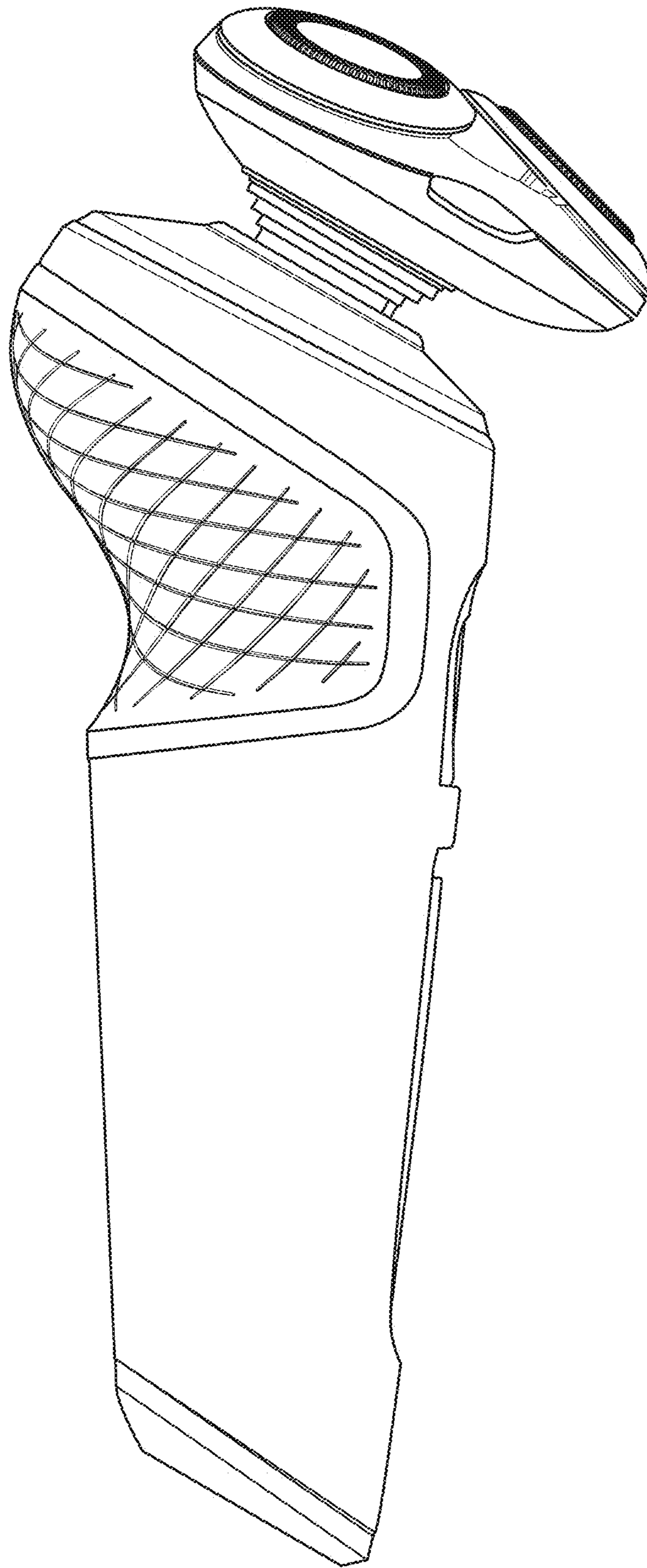


FIG. 18

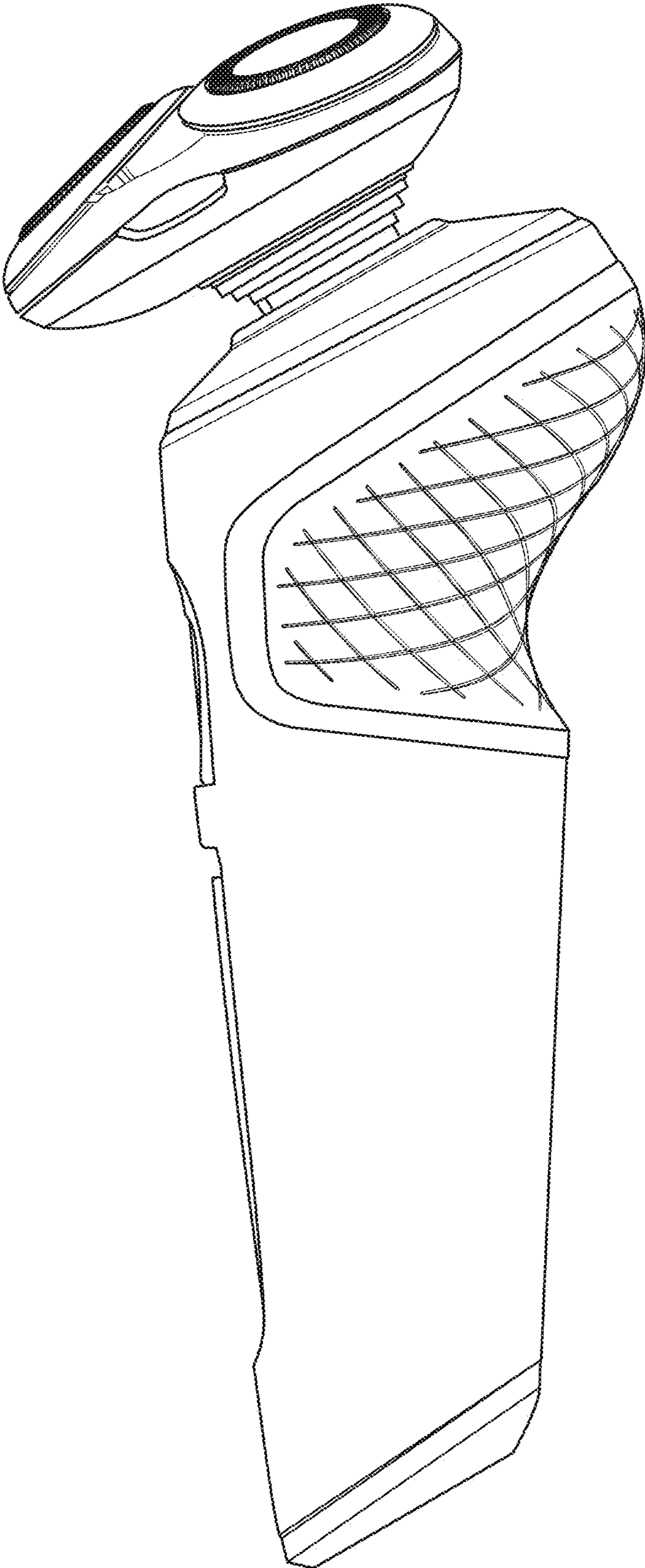


FIG. 19

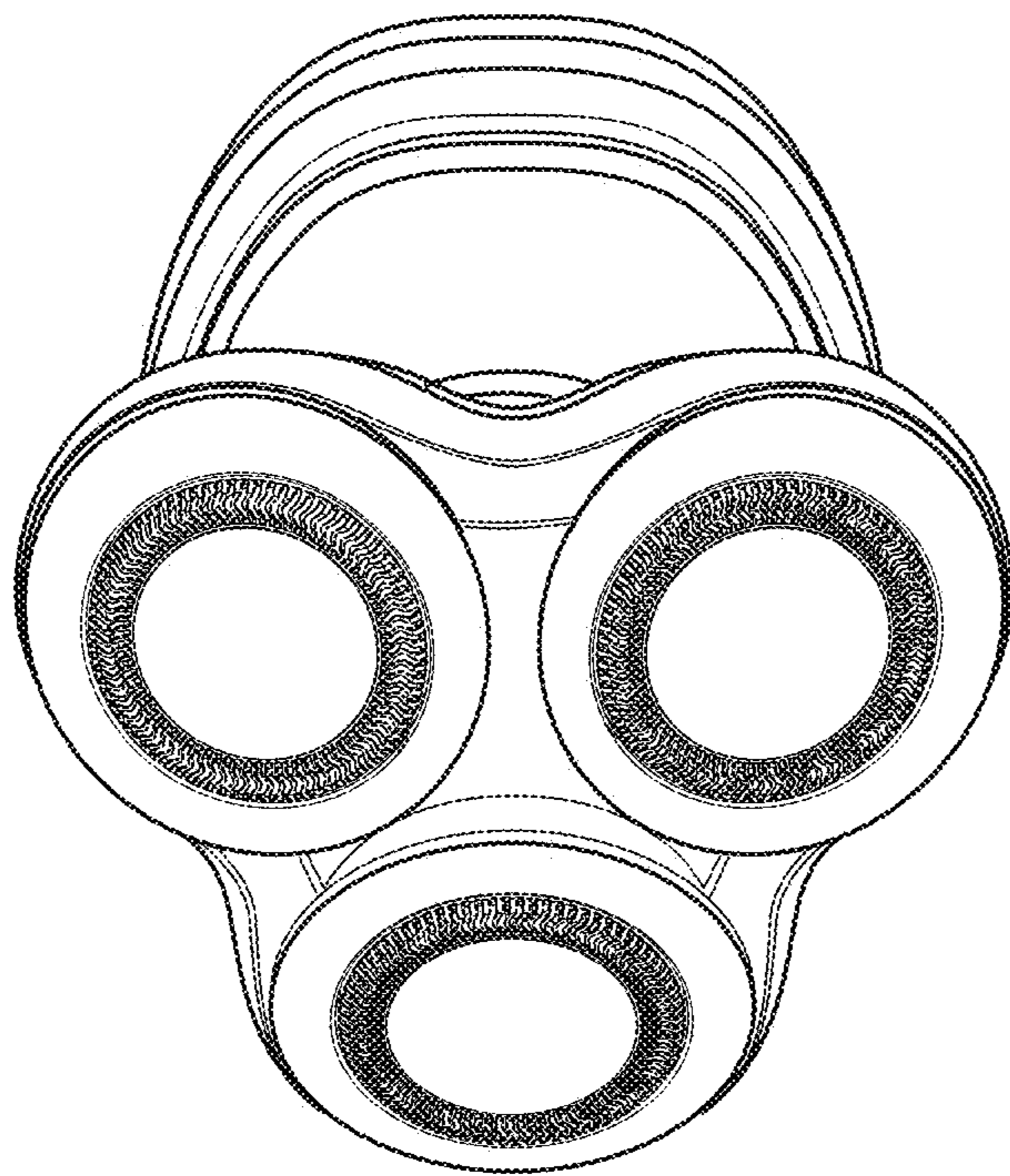


FIG. 20

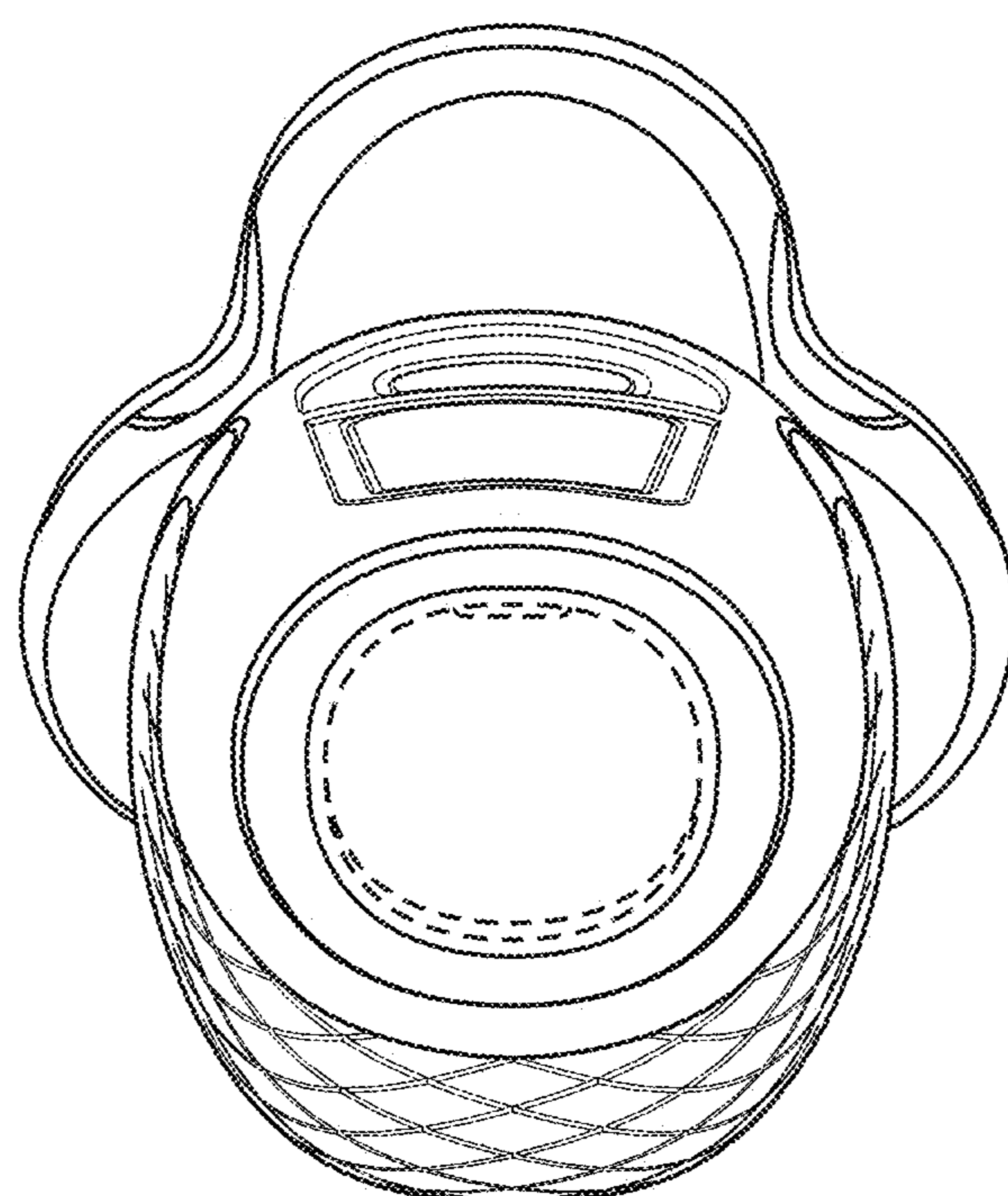


FIG. 21

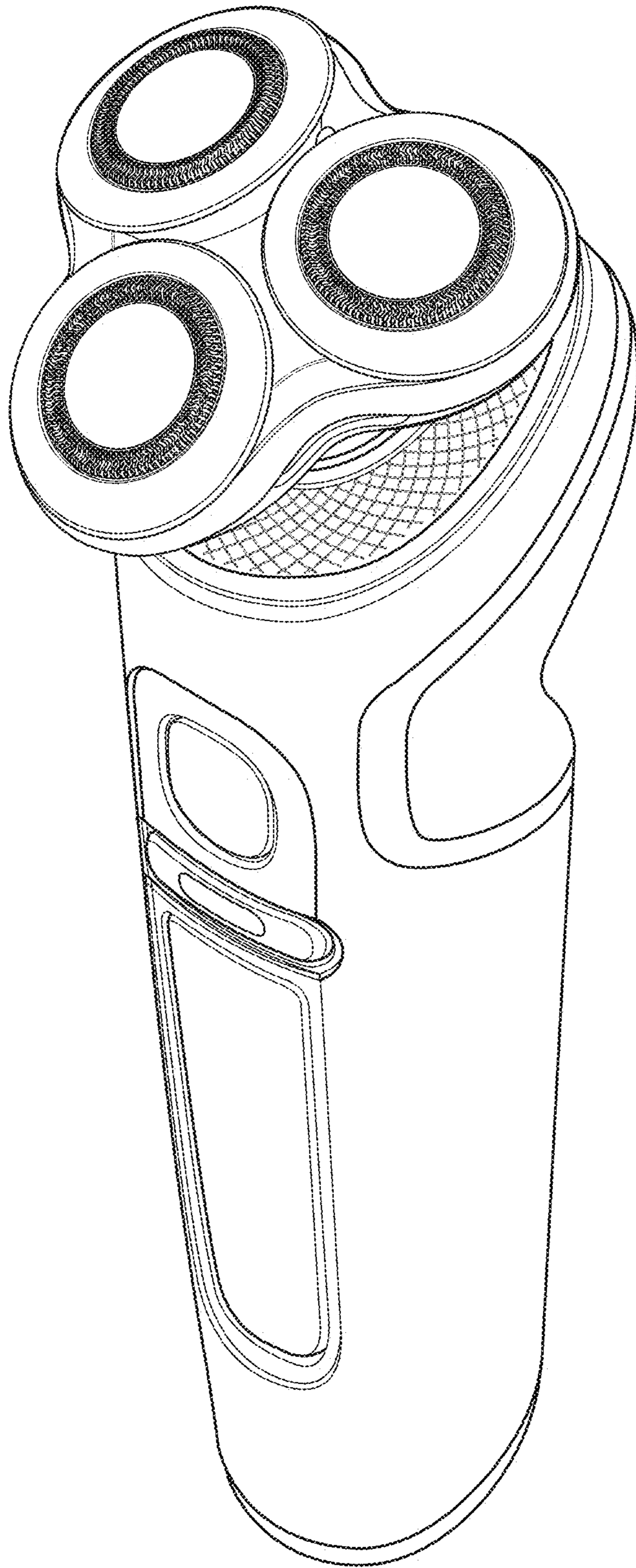


FIG. 22



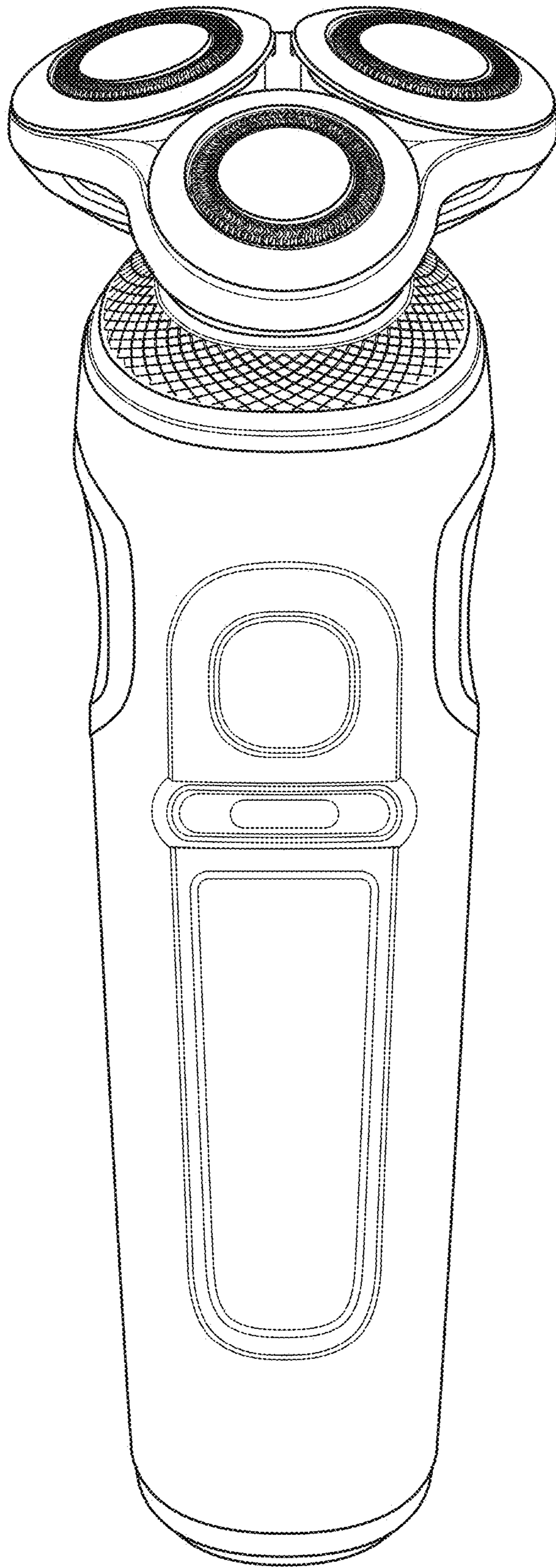


FIG. 23

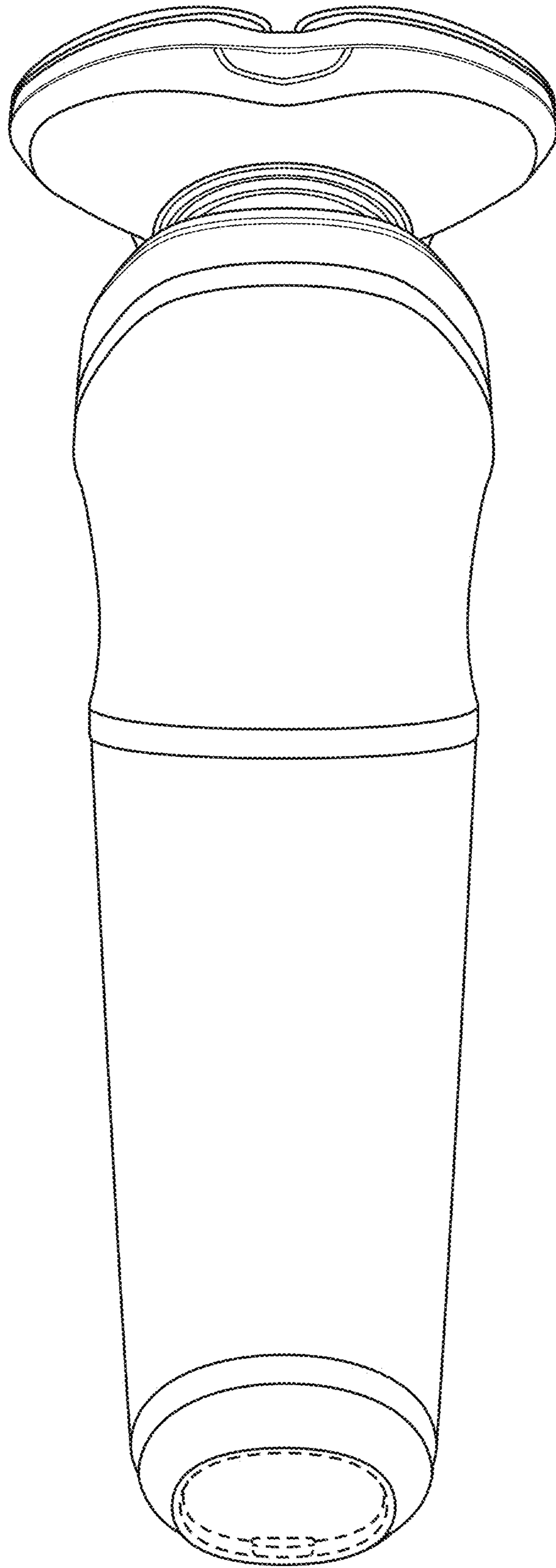


FIG. 24

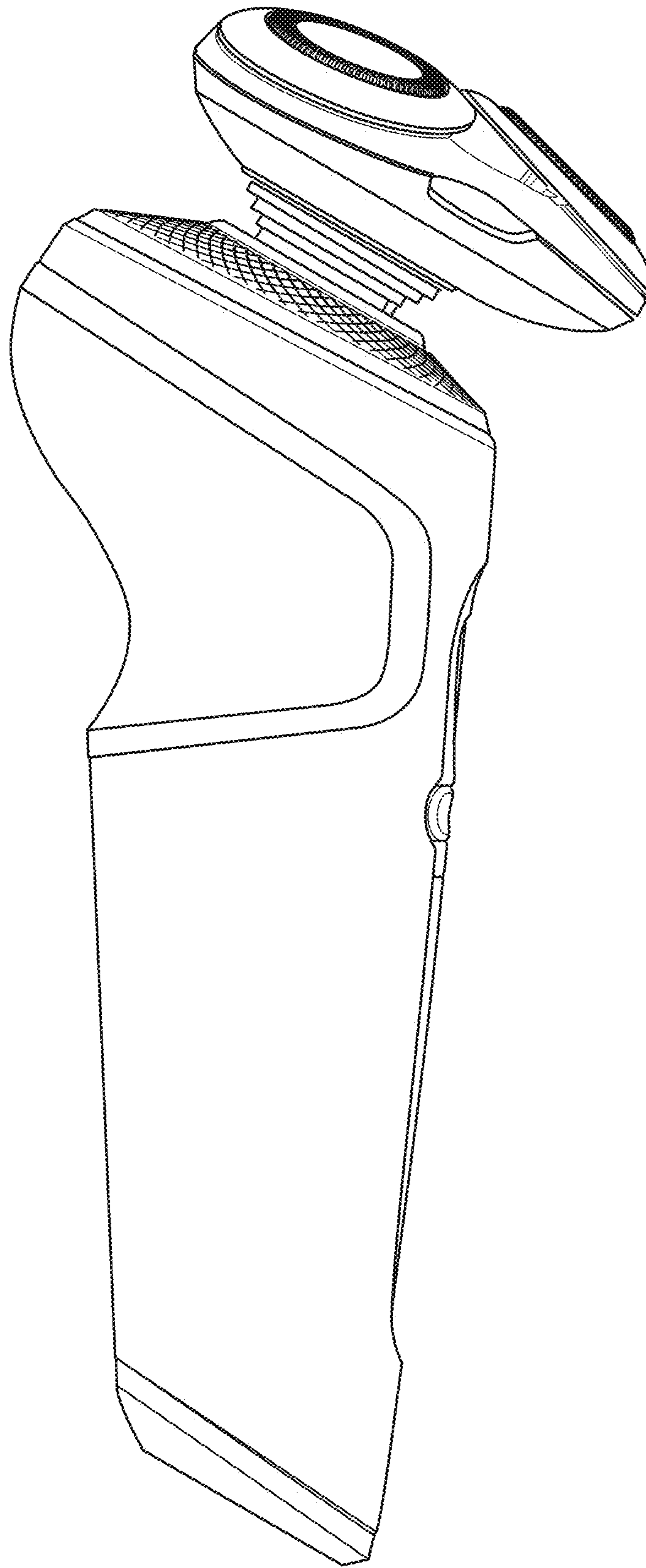


FIG. 25

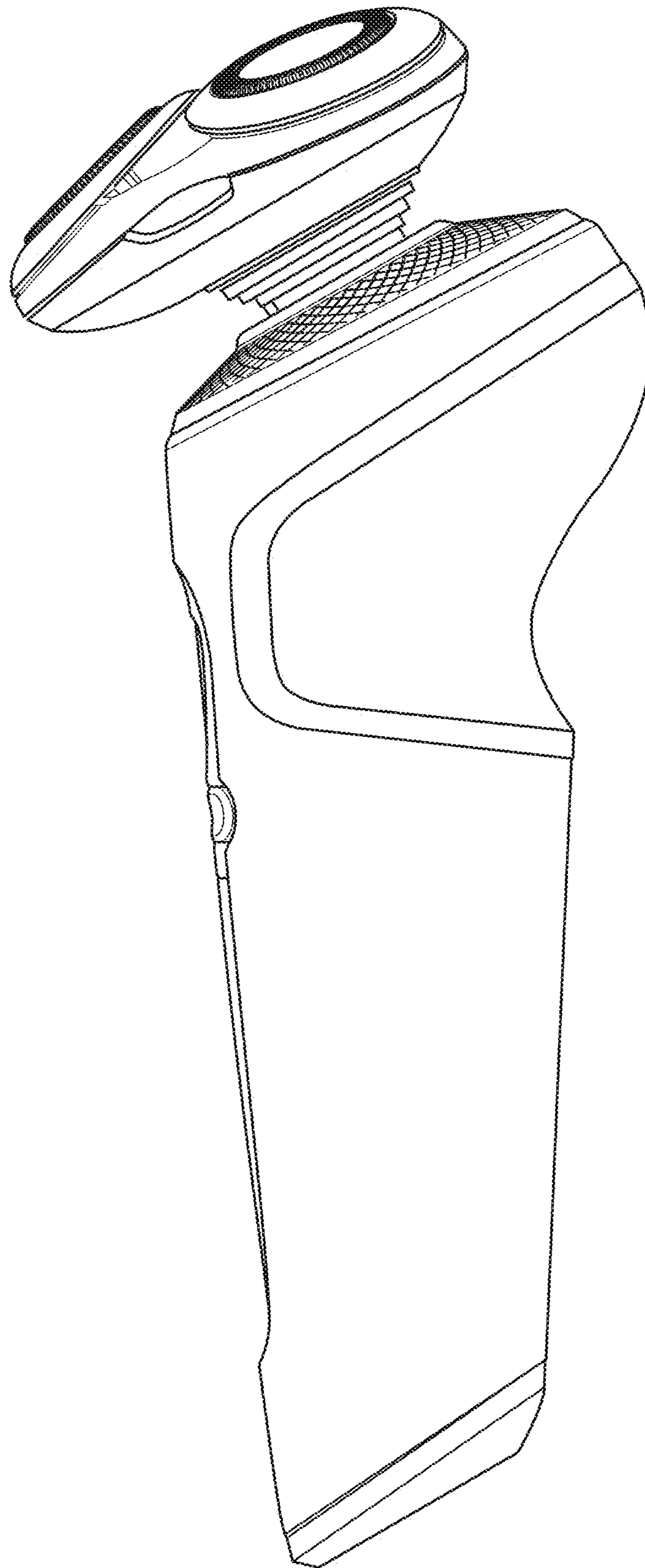


FIG. 26

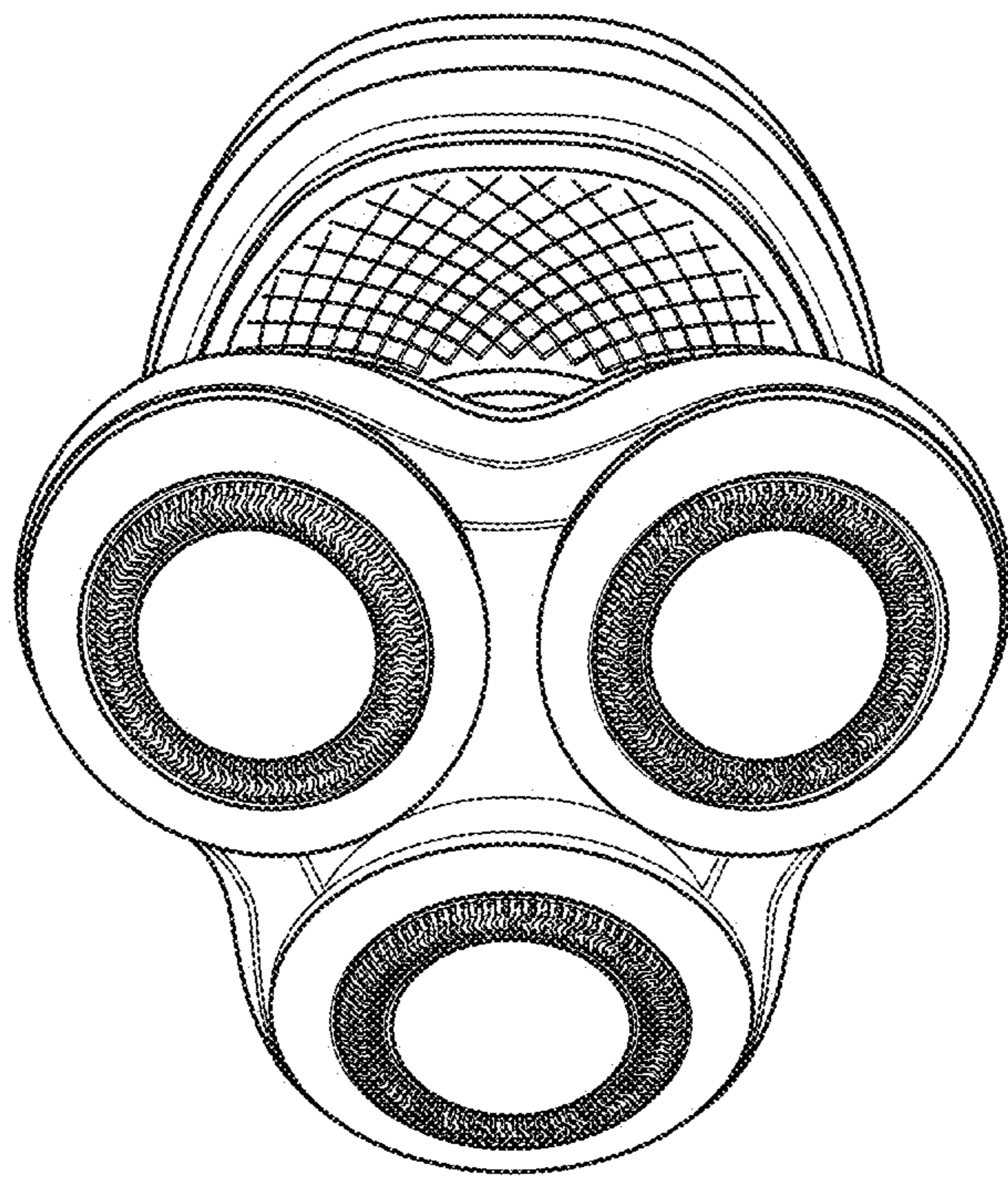


FIG. 27

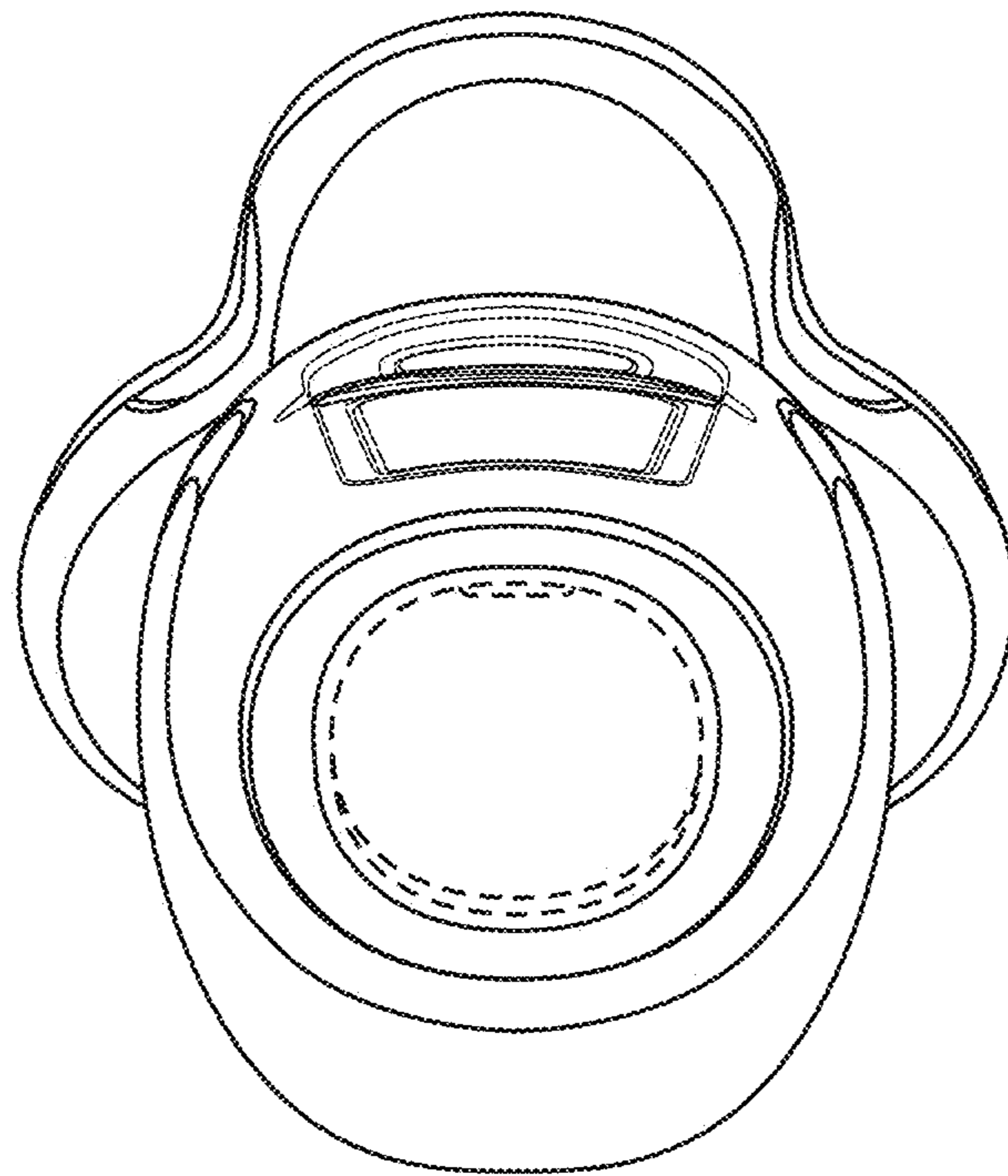


FIG. 28

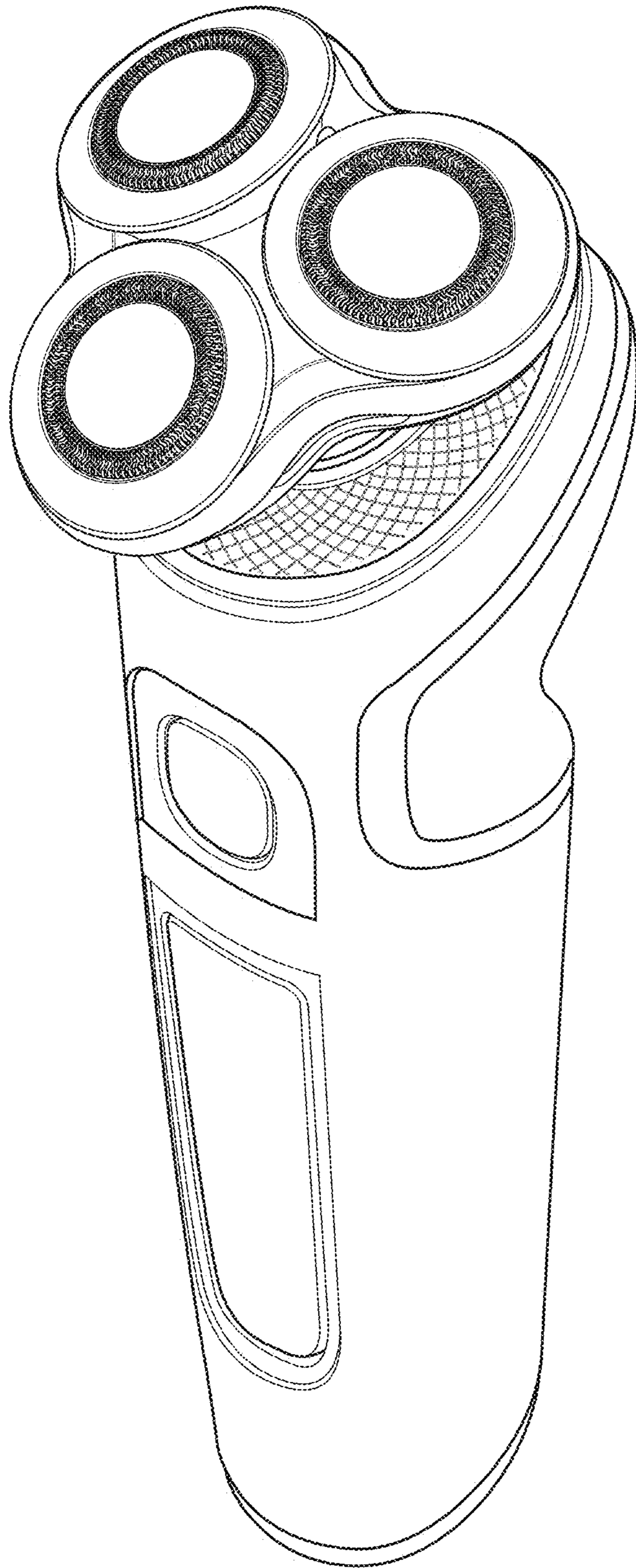


FIG. 29

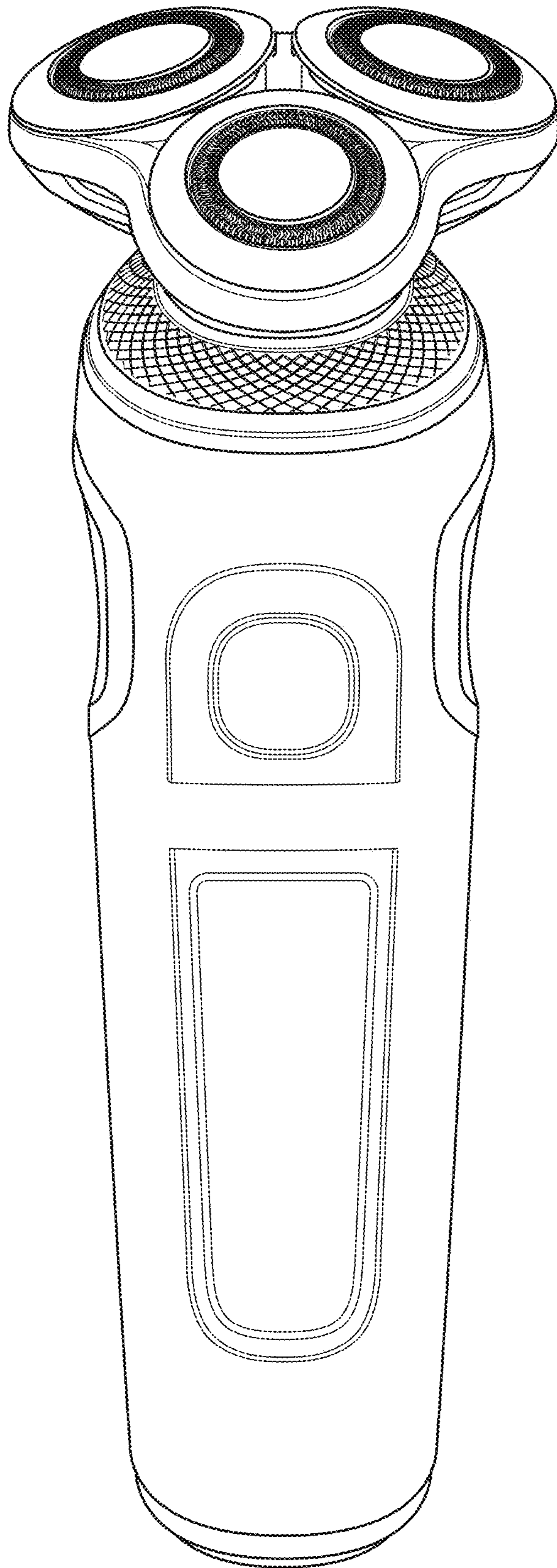


FIG. 30



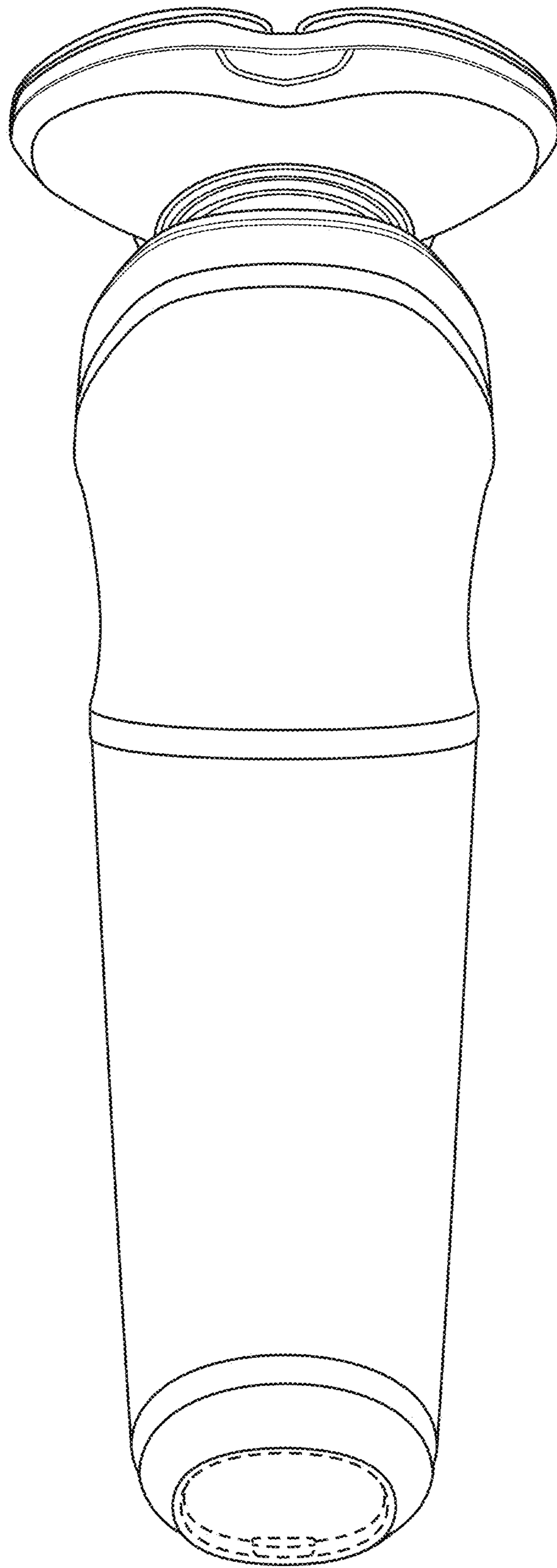


FIG. 31

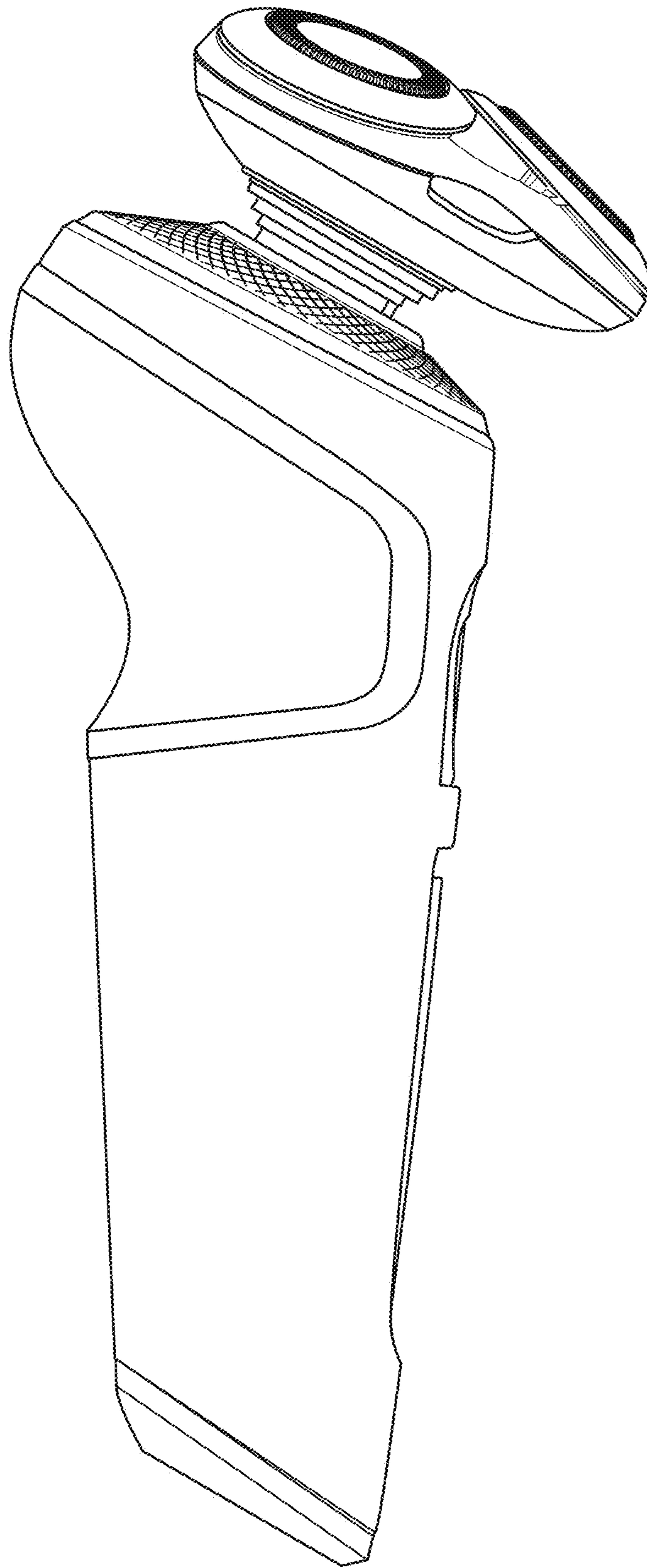


FIG. 32

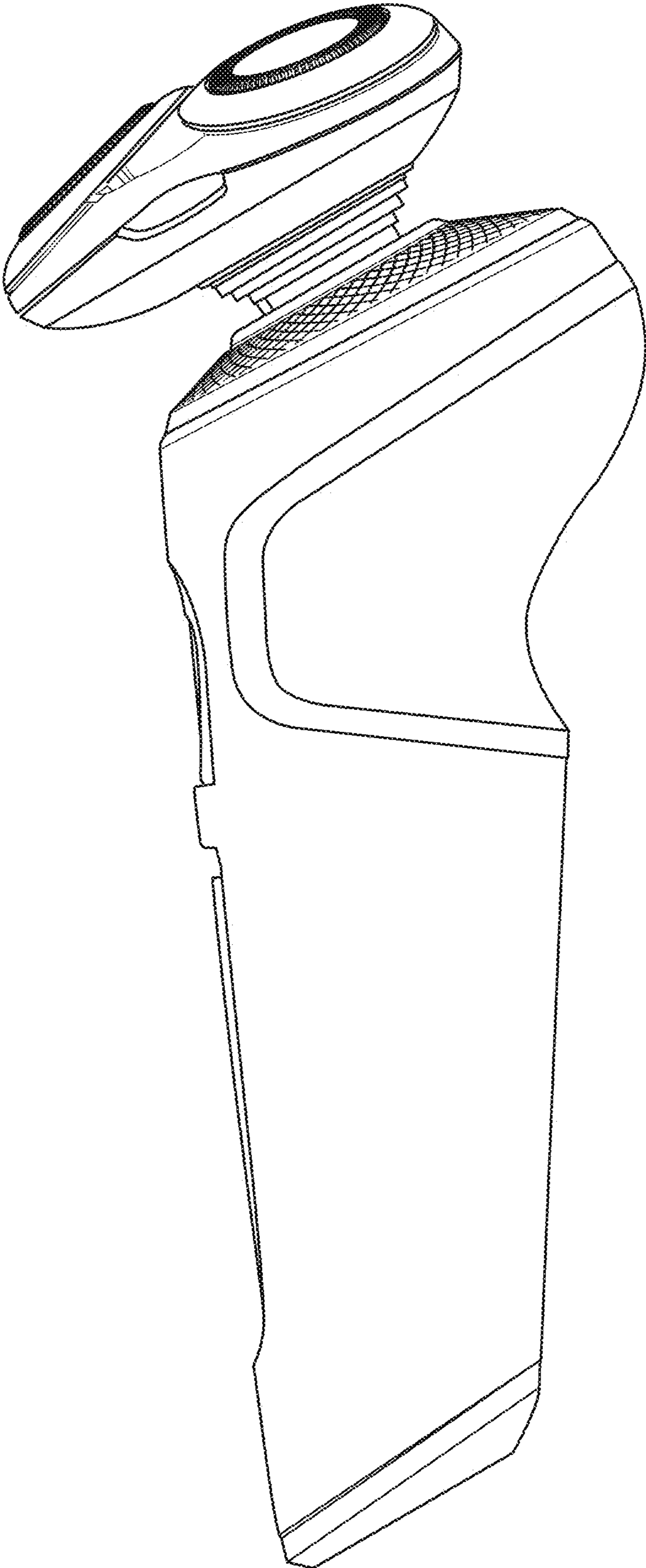


FIG. 33

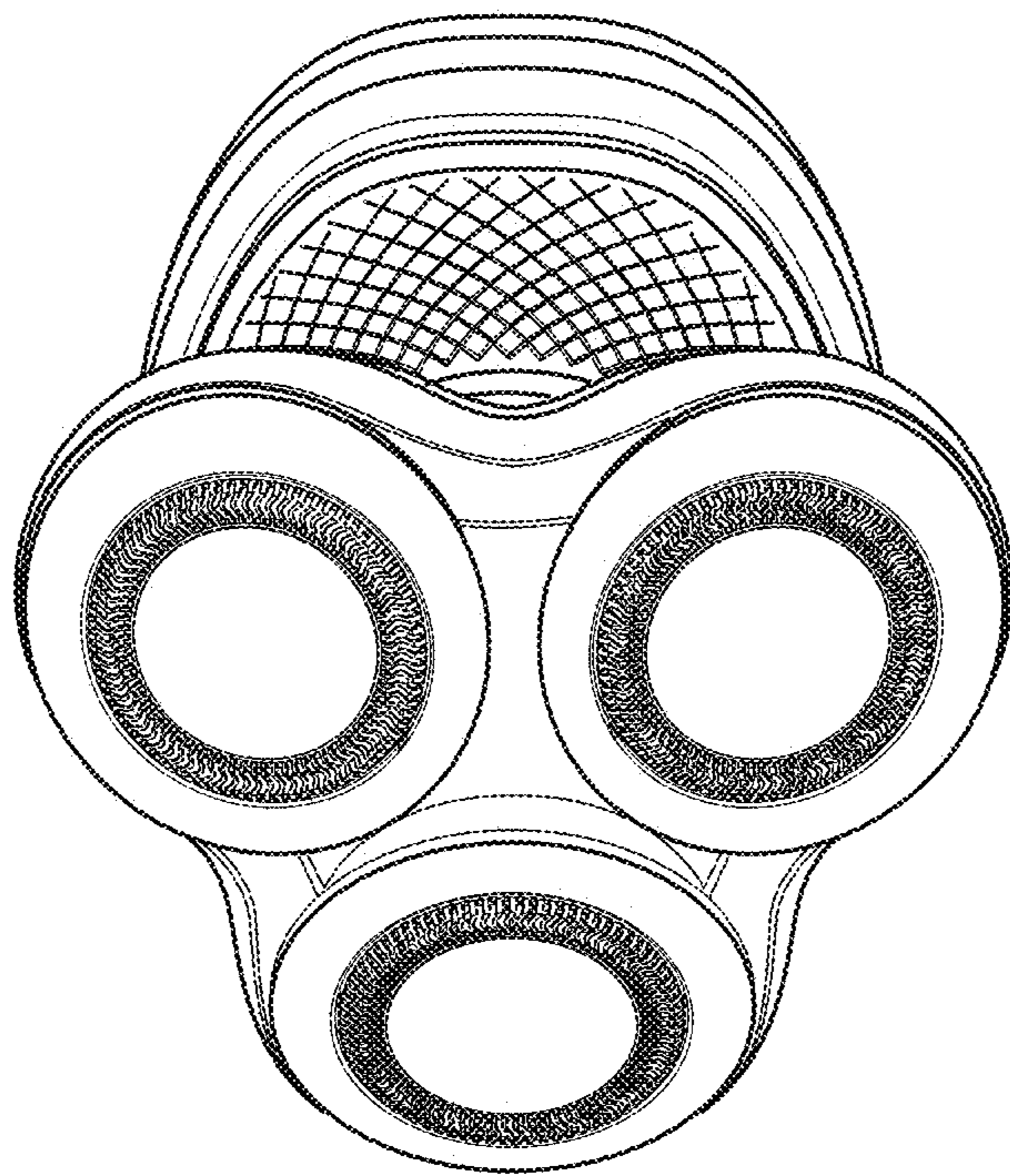


FIG. 34

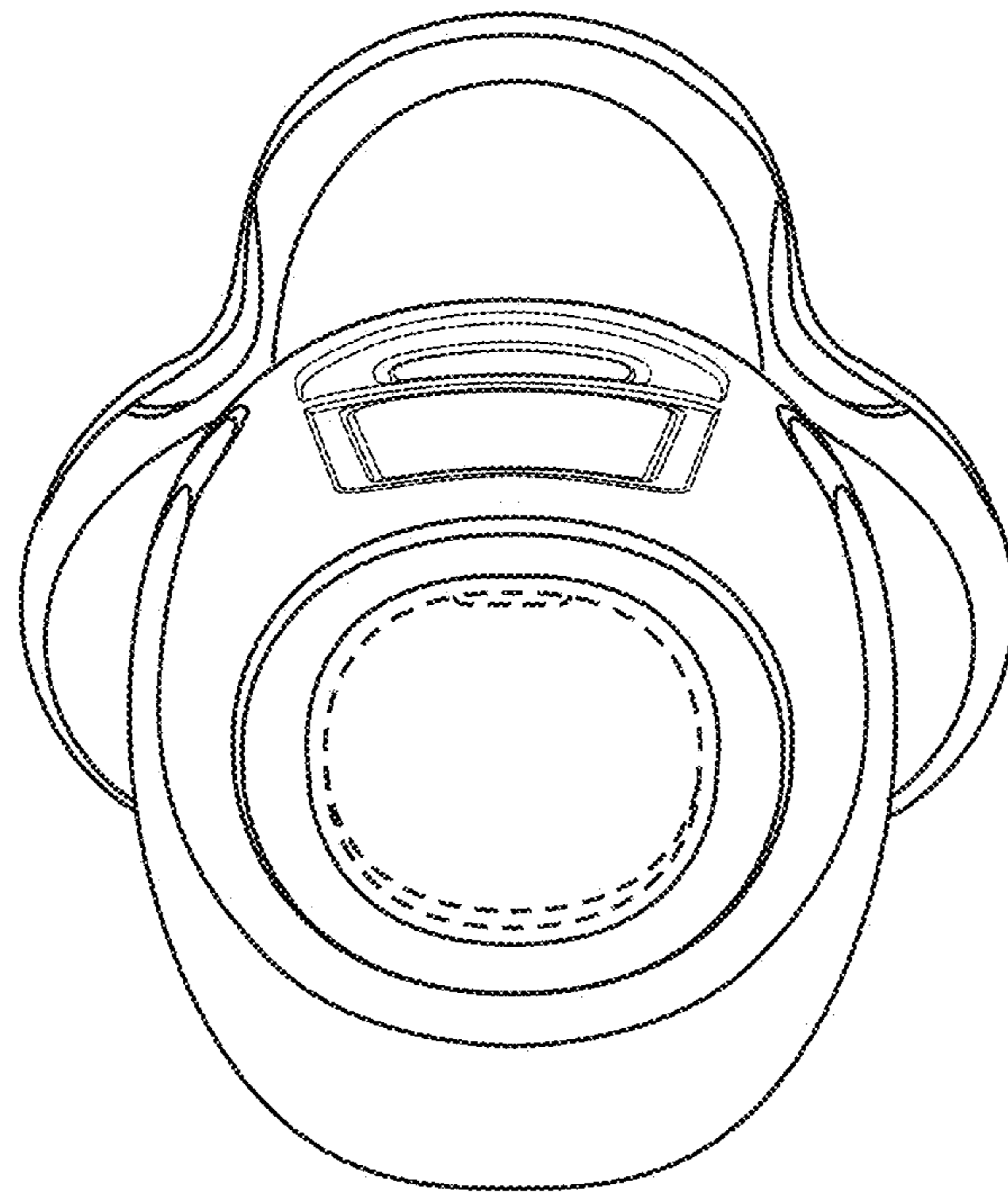


FIG. 35

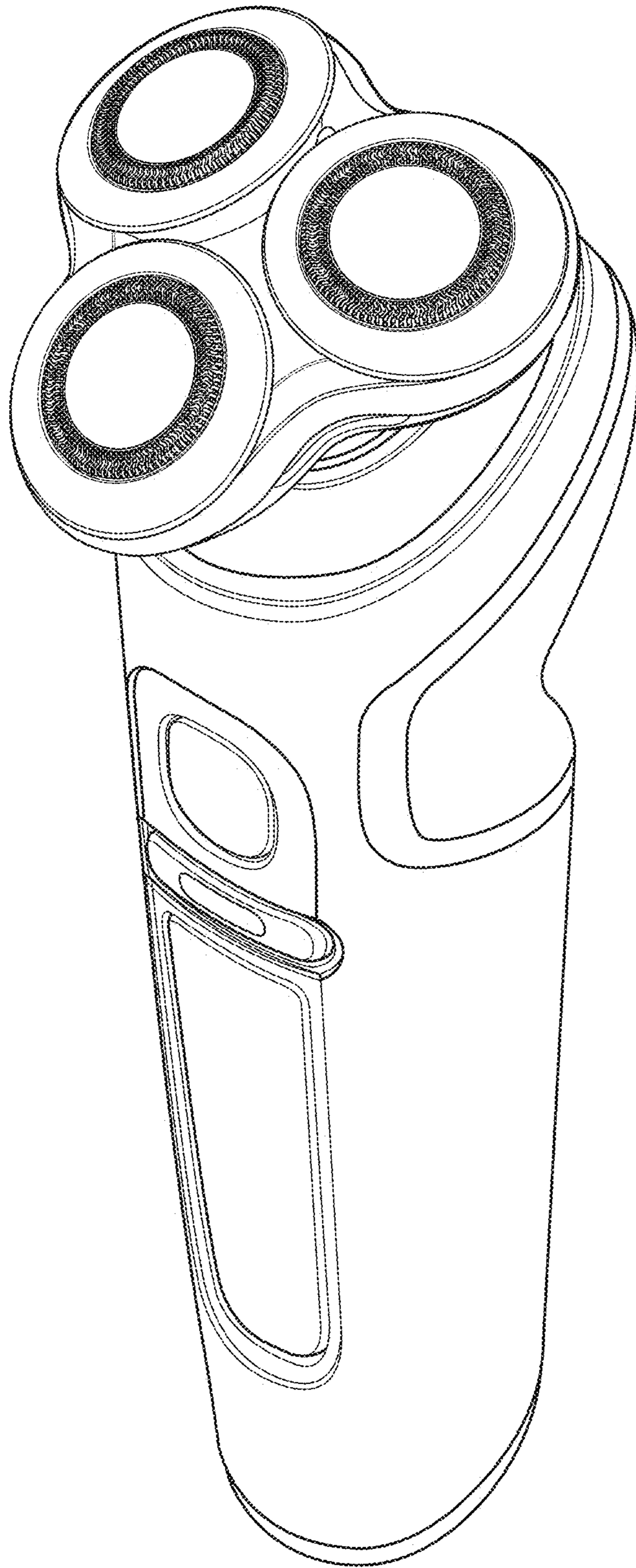


FIG. 36

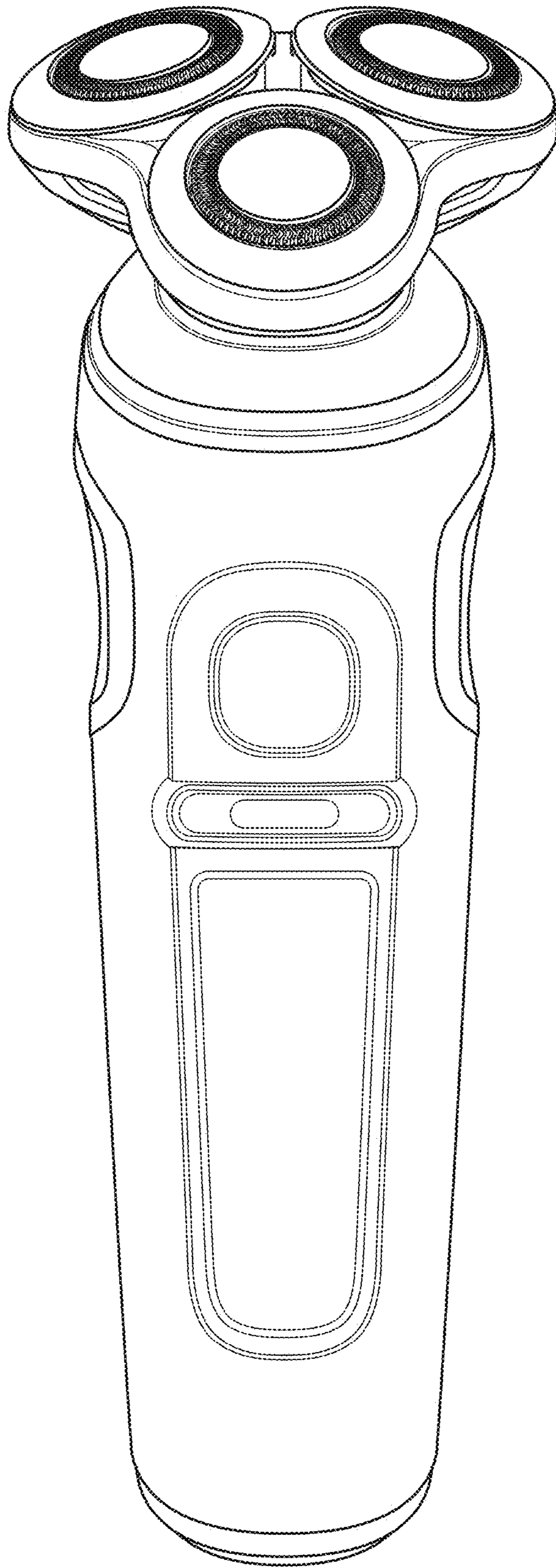


FIG. 37

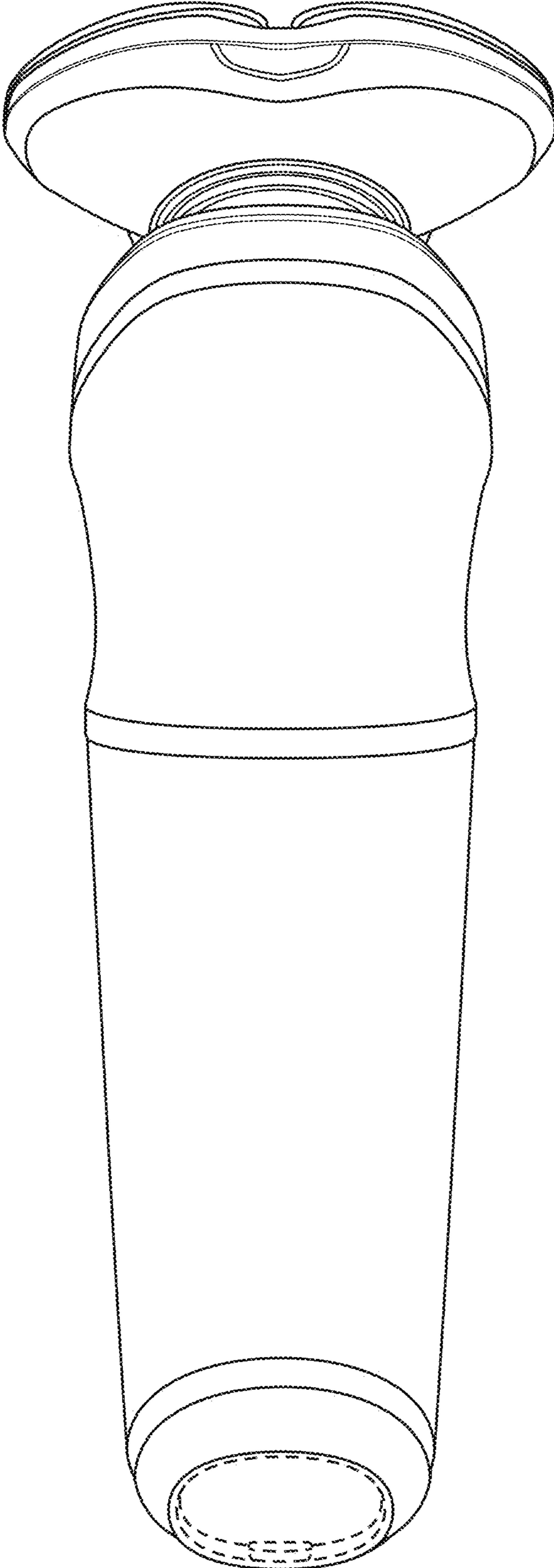


FIG. 38



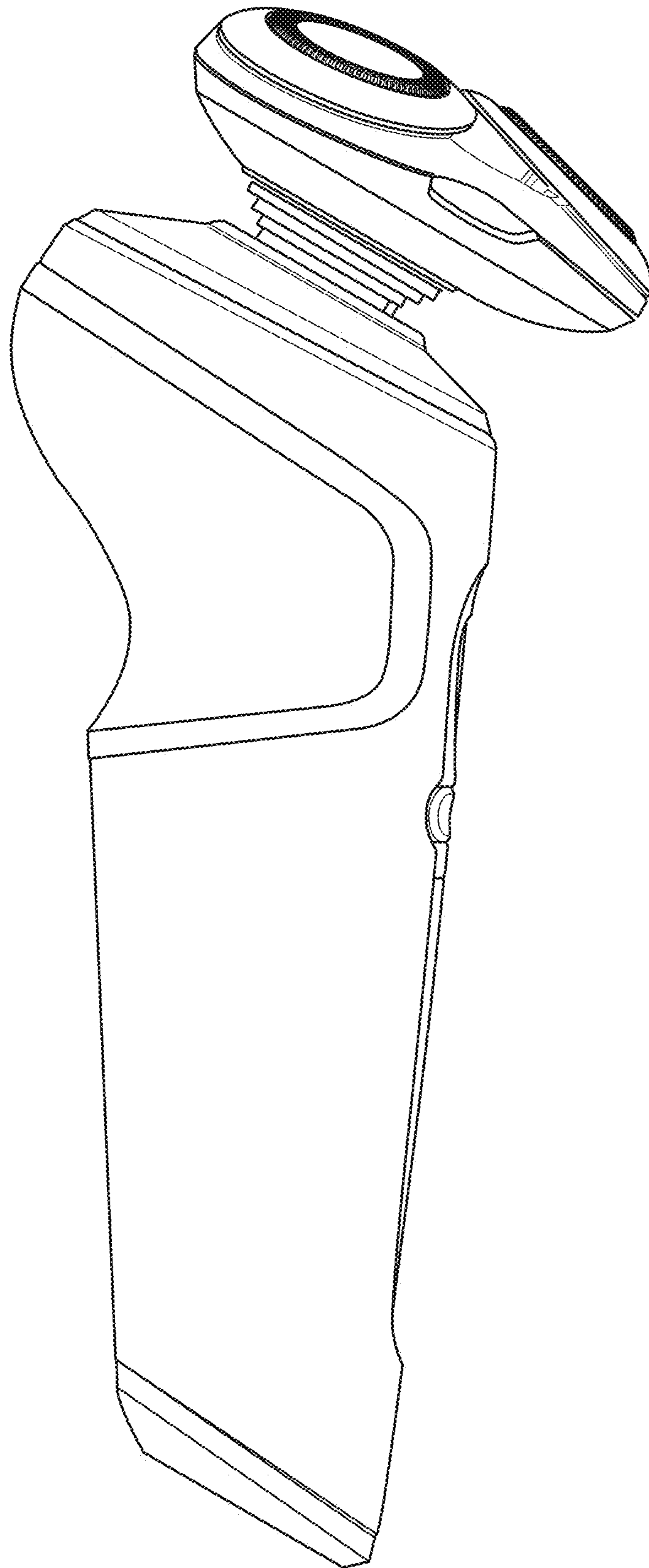


FIG. 39

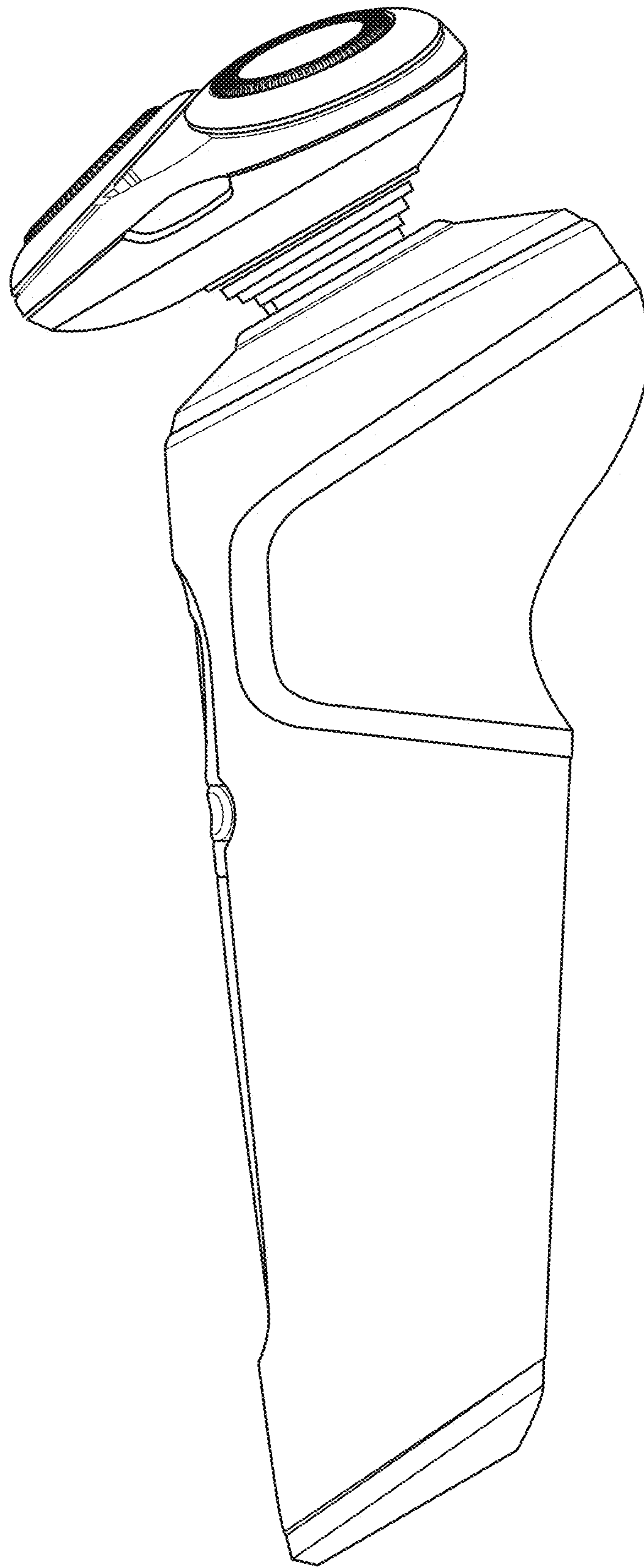


FIG. 40

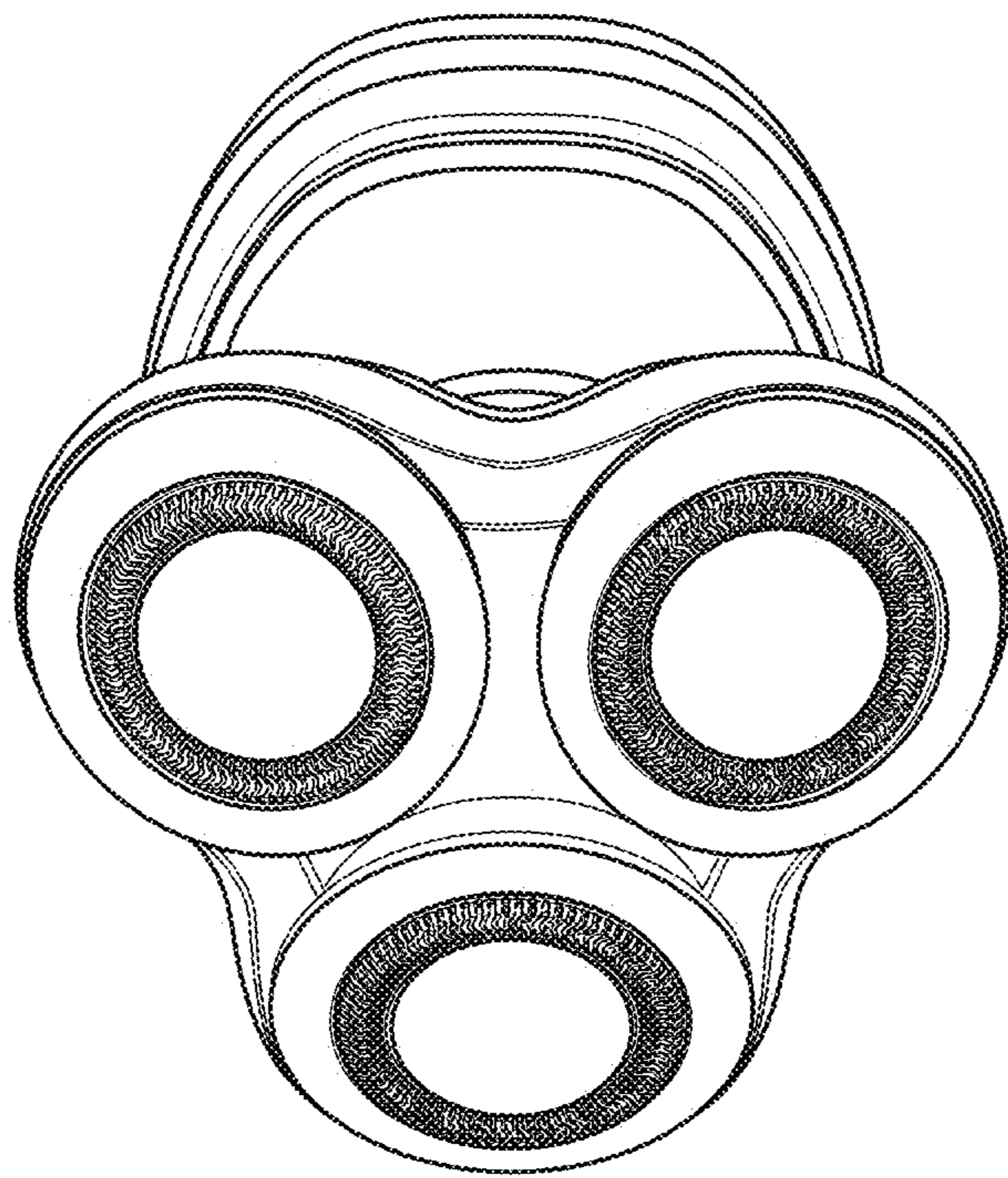


FIG. 41

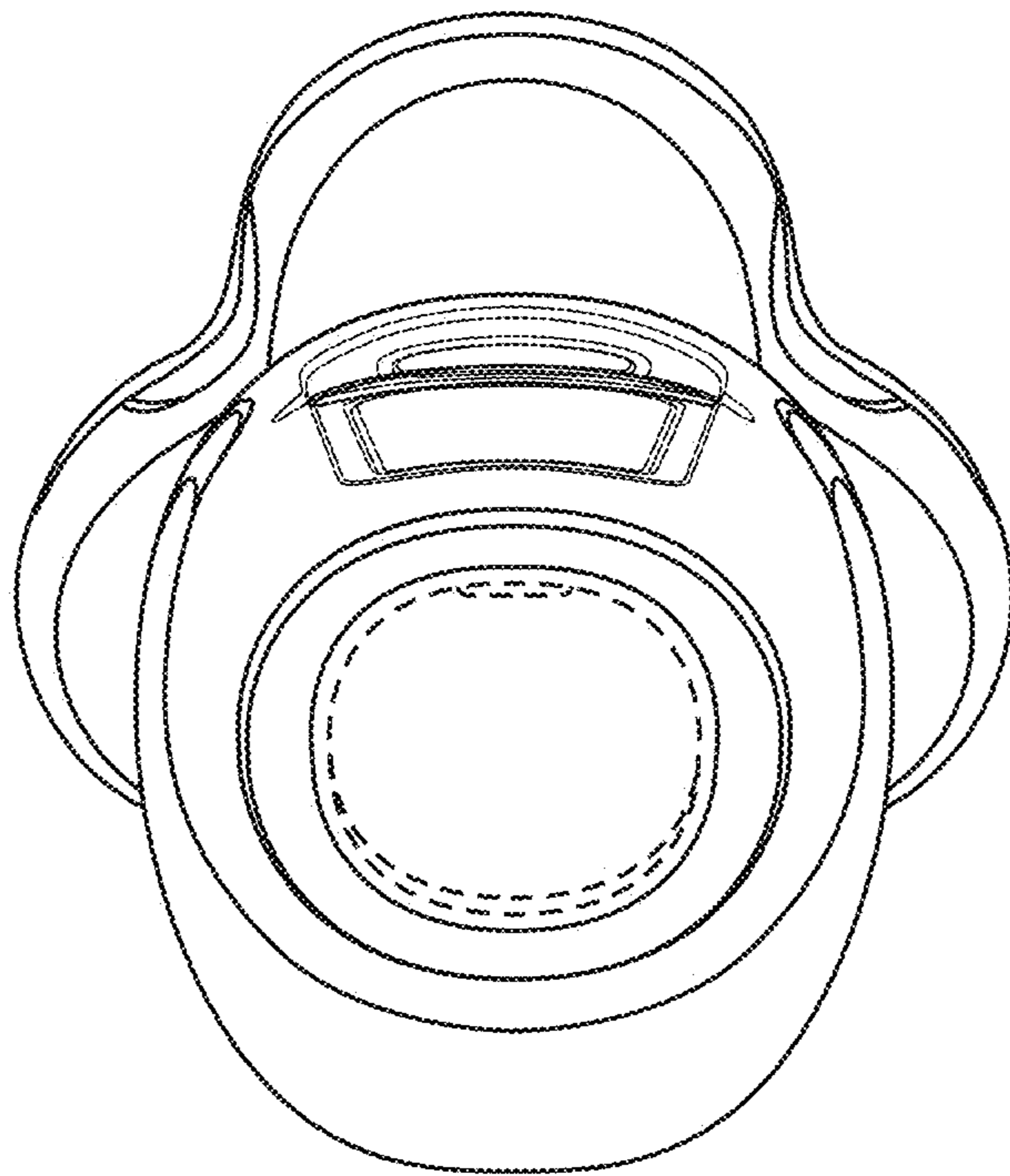


FIG. 42

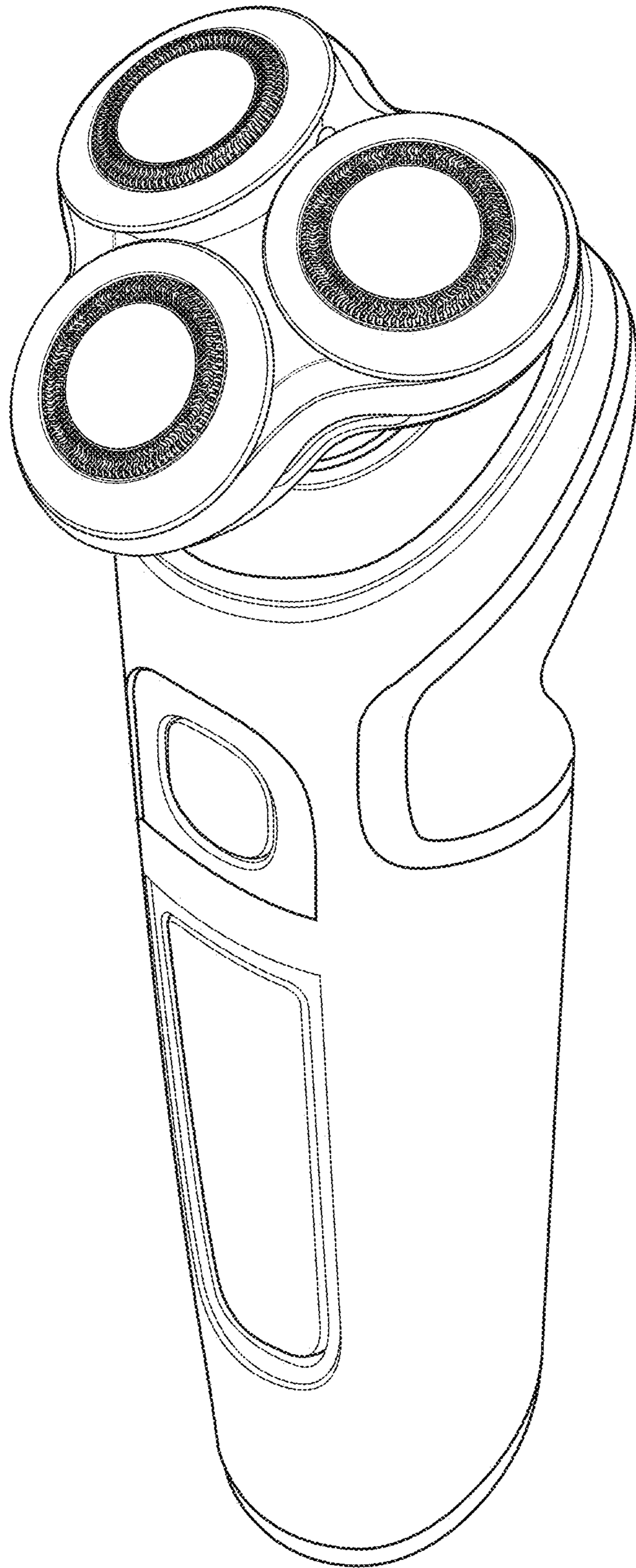


FIG. 43

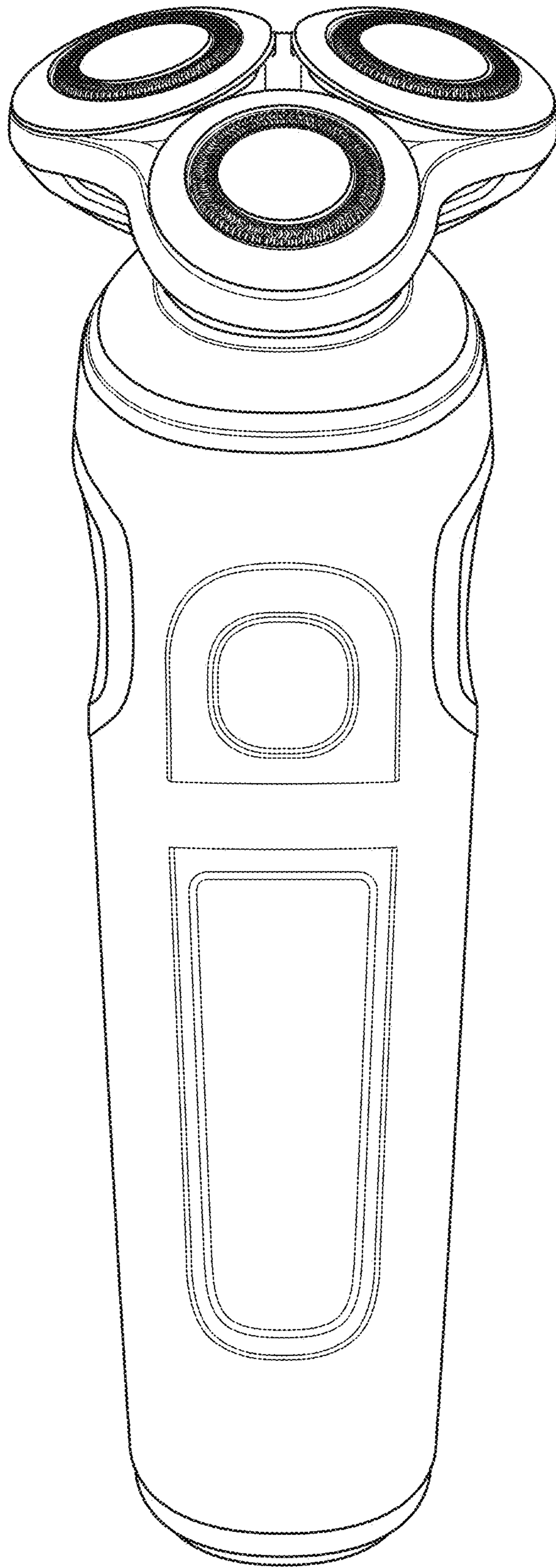


FIG. 44

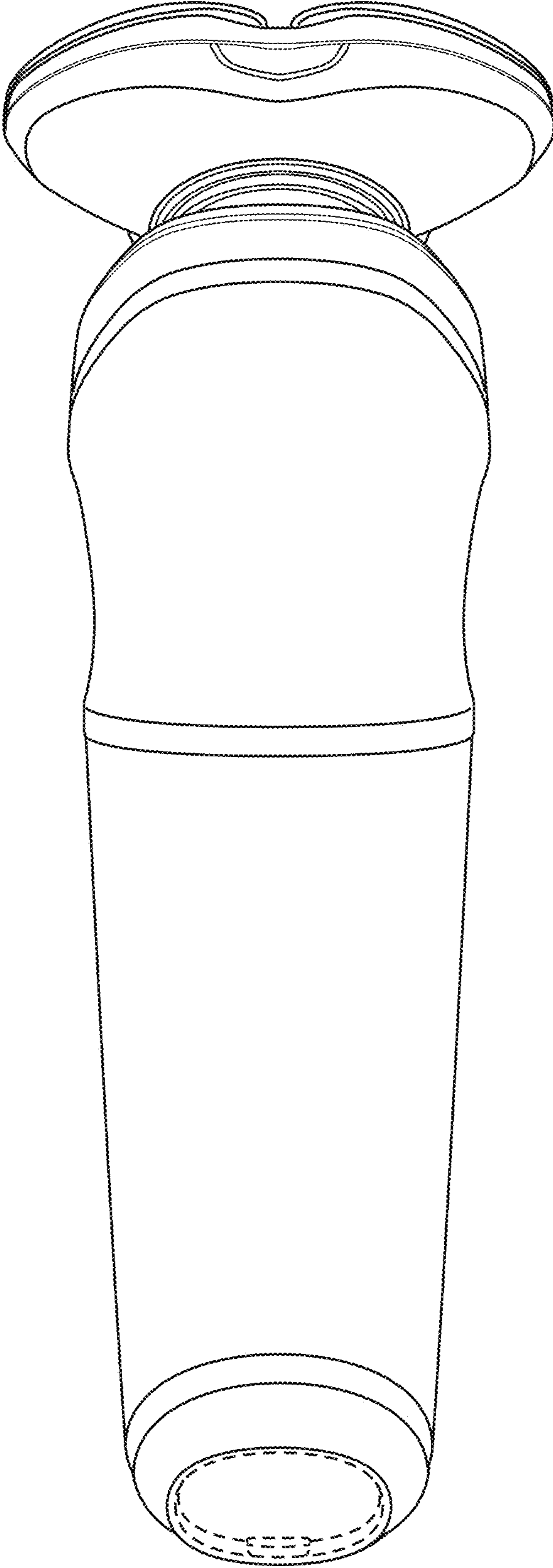


FIG. 45

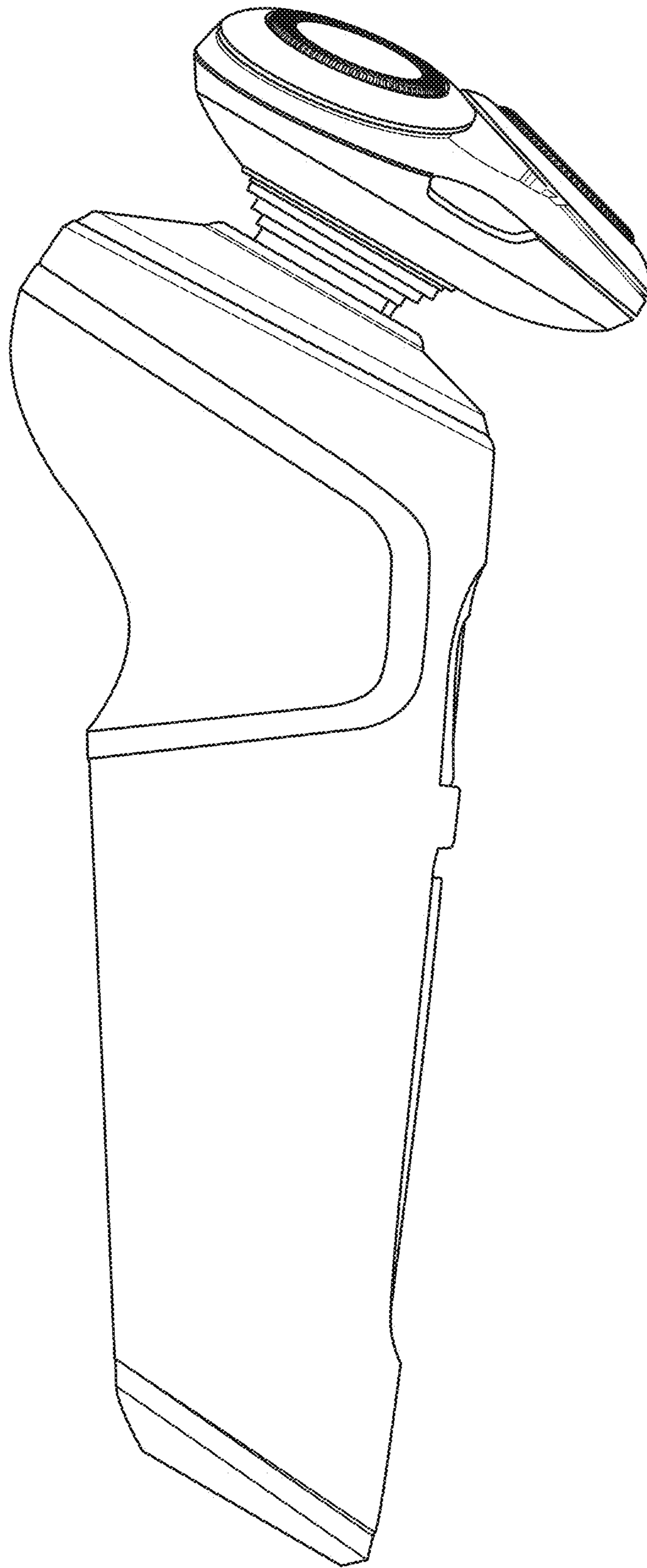


FIG. 46



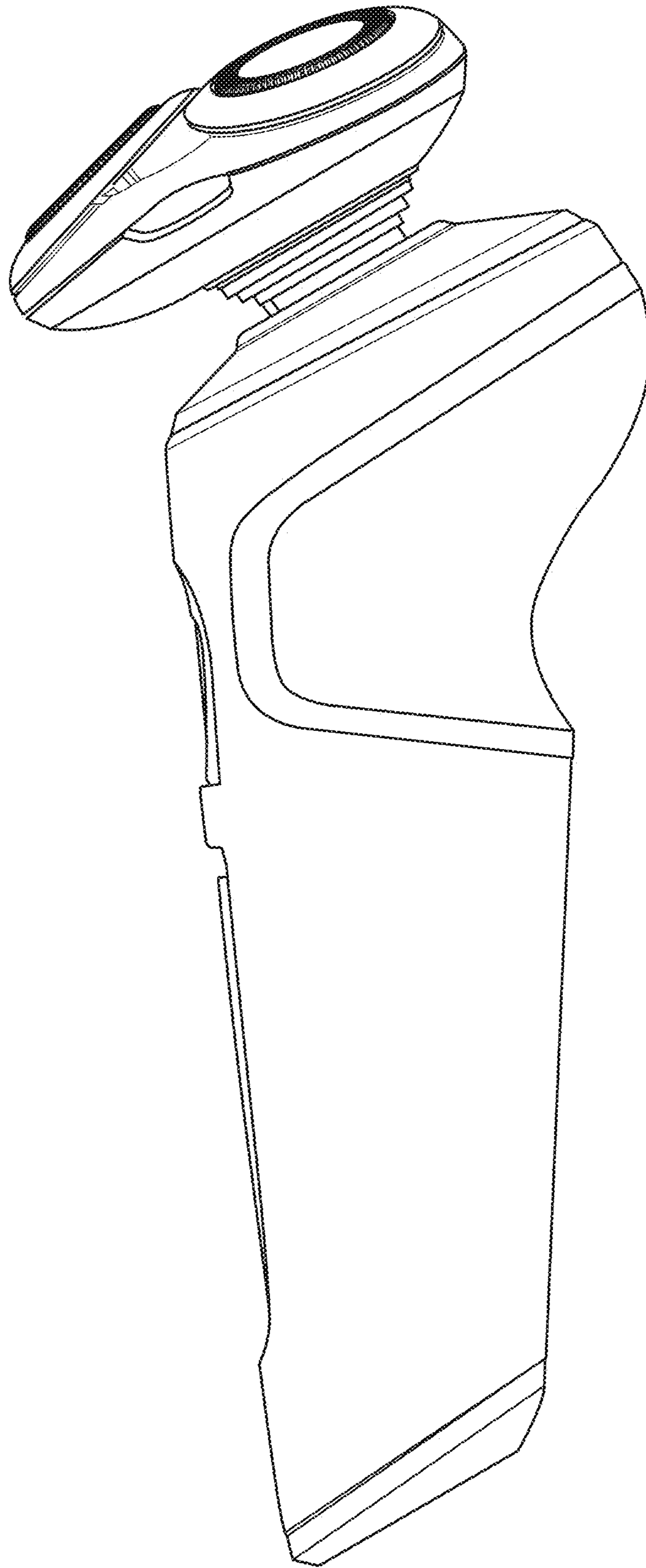


FIG. 47

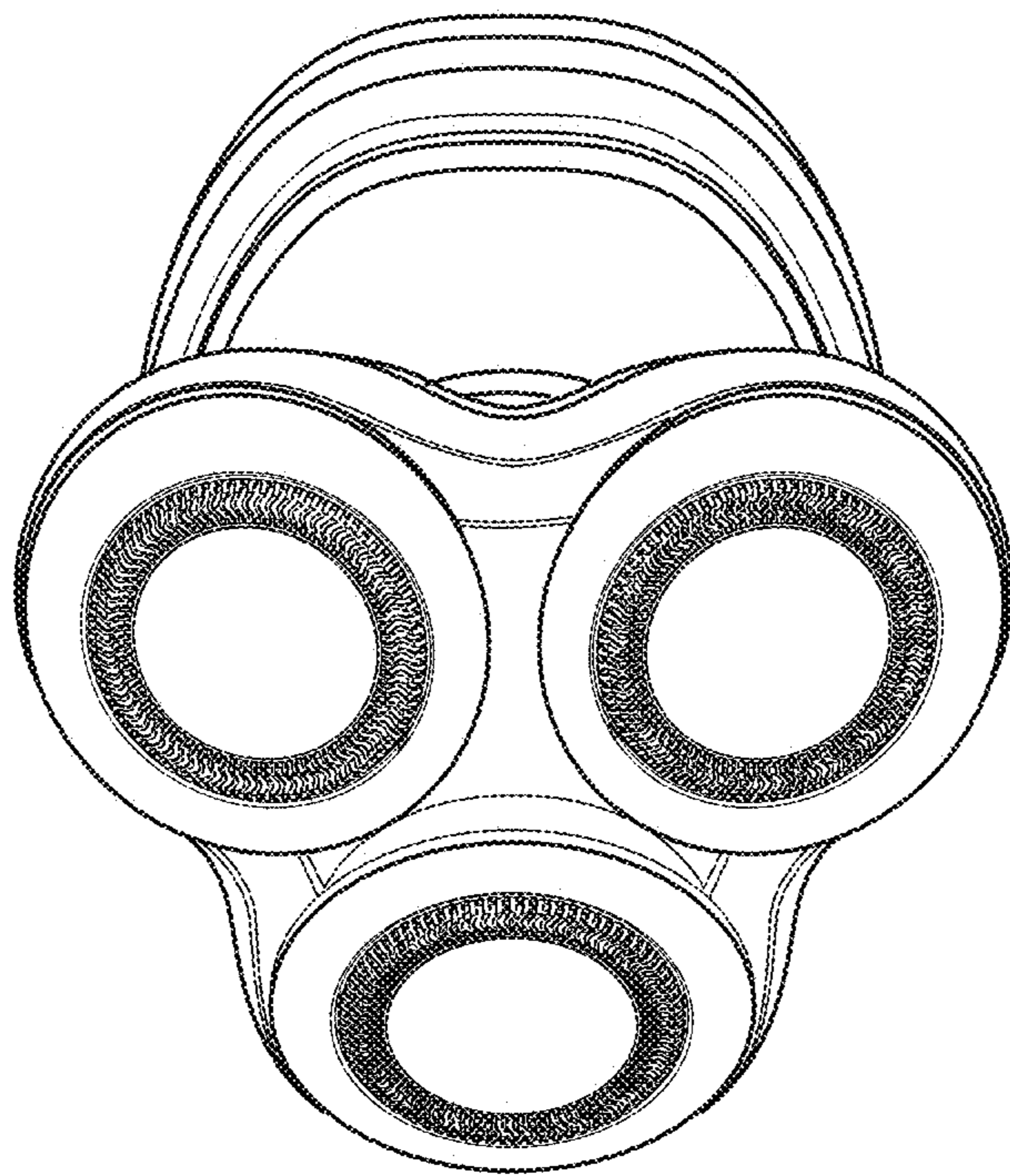


FIG. 48

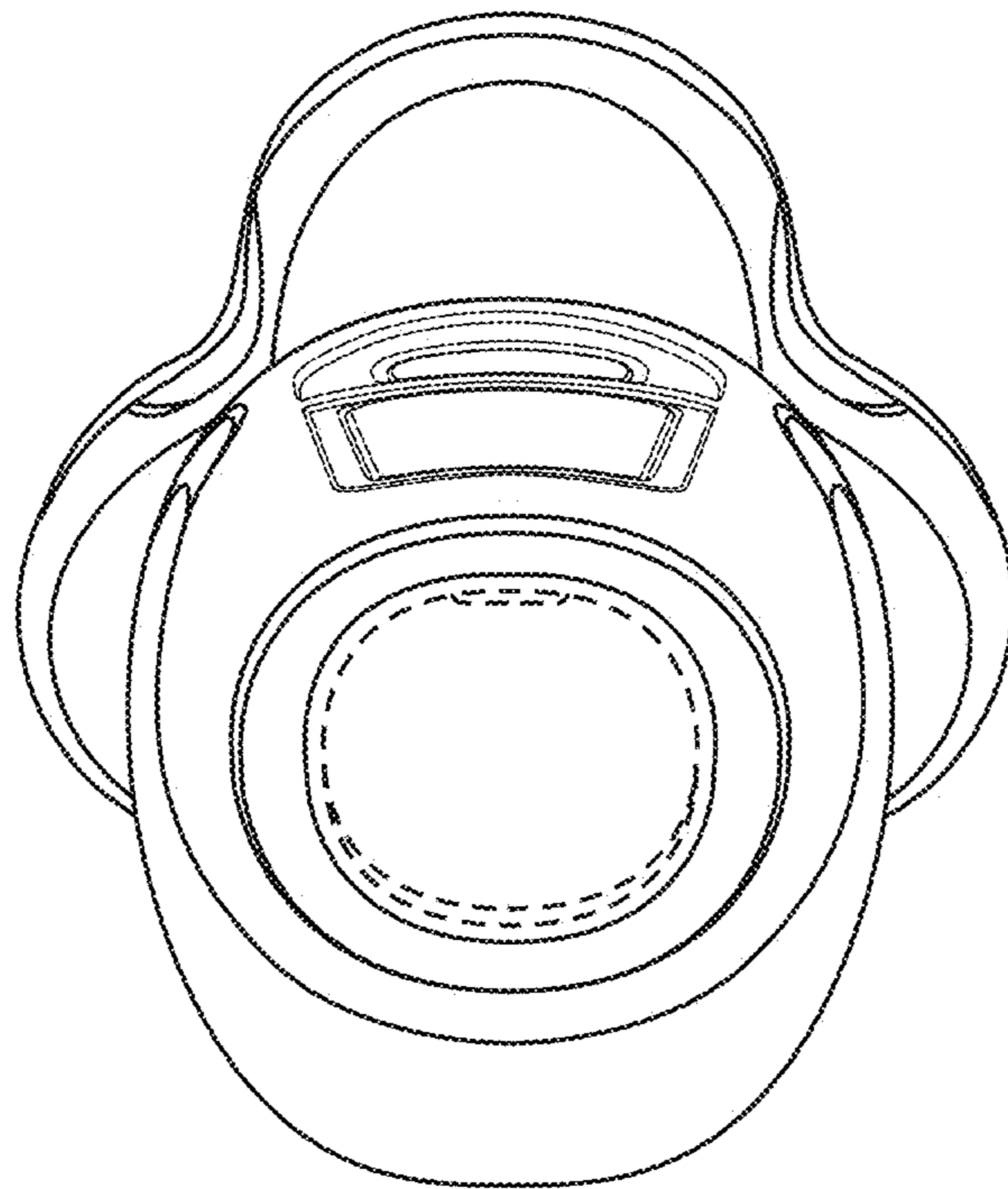


FIG. 49