



US00D912899S

(12) **United States Design Patent**  
**Frankel**

(10) **Patent No.:** **US D912,899 S**  
(45) **Date of Patent:** **\*\* Mar. 9, 2021**

(54) **EPILATOR**

(71) Applicant: **KONINKLIJKE PHILIPS N.V.**,  
Eindhoven (NL)

(72) Inventor: **Seth Peter Malkin Frankel**,  
Amsterdam (NL)

(73) Assignee: **KONINKLIJKE PHILIPS N.V.**,  
Eindhoven (NL)

(\*\*) Term: **15 Years**

(21) Appl. No.: **29/697,486**

(22) Filed: **Jul. 9, 2019**

(51) **LOC (13) Cl.** ..... **28-03**

(52) **U.S. Cl.**  
USPC ..... **D28/44.1**

(58) **Field of Classification Search**  
USPC ..... D28/44.1, 53, 54, 51; D24/209, 214  
CPC .... A61B 2018/0047; A61B 2018/0452; A61B  
2018/202; A61B 2018/0476; A45D  
26/0023-0038; A45D 26/0004-0009;  
A45D 26/0057  
See application file for complete search history.

D664,296 S \* 7/2012 Kling ..... D28/44.1  
D685,523 S \* 7/2013 Buogo ..... D28/44.1  
D705,484 S \* 5/2014 Bourgeois ..... D28/44.1  
D705,992 S \* 5/2014 Levi ..... D28/44.1  
D715,493 S \* 10/2014 Yiu ..... D28/58  
D776,347 S \* 1/2017 Grieshaber ..... D28/44.1  
D776,873 S \* 1/2017 Levi ..... D28/44.1  
D789,604 S \* 6/2017 Levi ..... D28/44.1  
D820,464 S \* 6/2018 Gabriele ..... D24/209  
D860,534 S \* 9/2019 Huang ..... D28/44.1  
D872,362 S \* 1/2020 Long ..... D28/44.1  
D899,688 S \* 10/2020 Li ..... D28/44.1  
2012/0022555 A1 \* 1/2012 Sanchez-Martinez .....  
B26B 19/40  
606/133  
2017/0164712 A1 \* 6/2017 Poran ..... A45D 26/0038

\* cited by examiner

*Primary Examiner* — Jennifer Rivard

(57) **CLAIM**

I claim the ornamental design for an epilator, as shown and described.

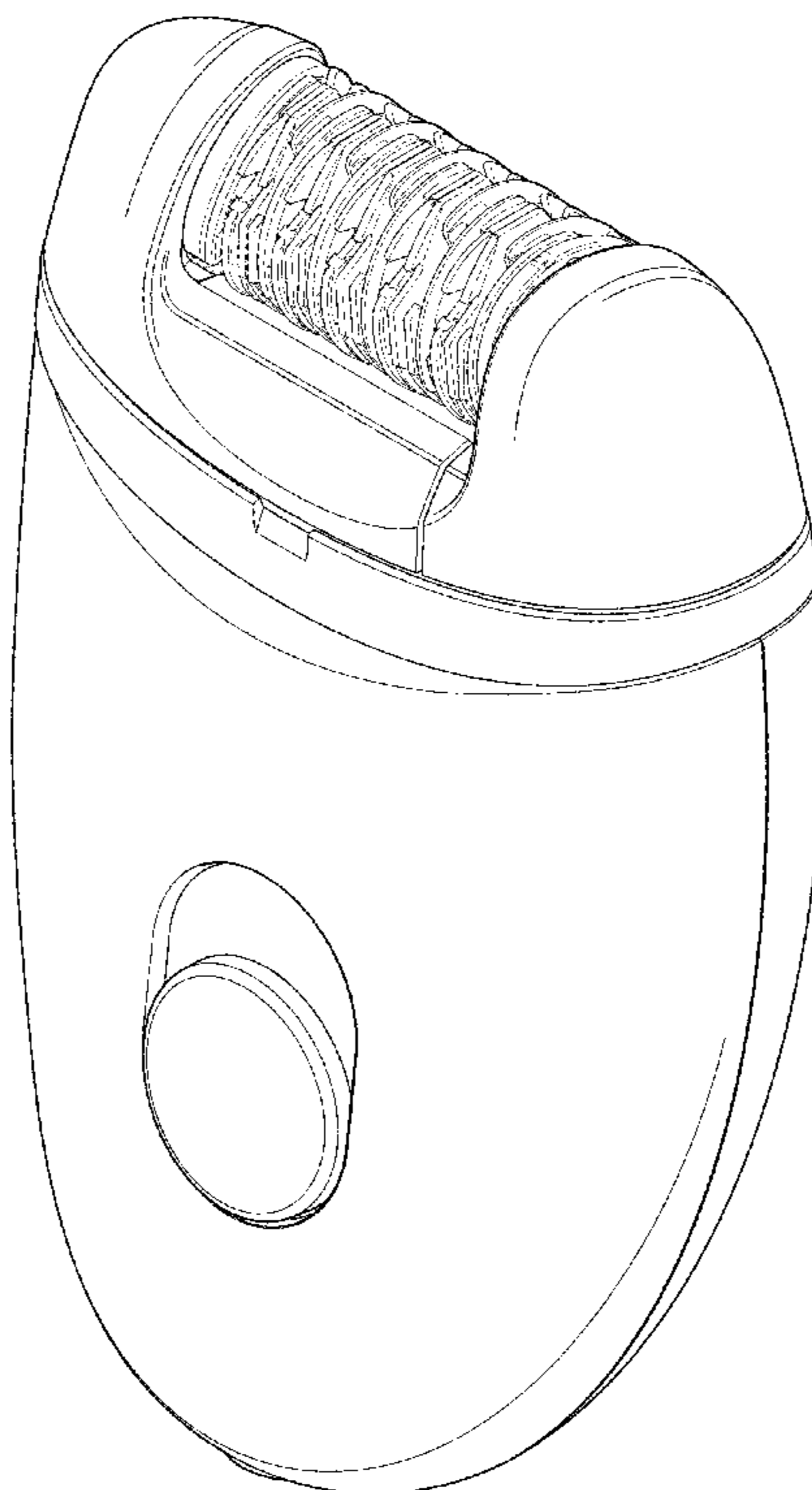
**DESCRIPTION**

FIG. 1 is a perspective view showing my design;  
FIG. 2 is a front elevational view thereof;  
FIG. 3 is a rear elevational view thereof;  
FIG. 4 is a right side elevational view thereof;  
FIG. 5 is a left side elevational view thereof;  
FIG. 6 is a top plan view thereof; and,  
FIG. 7 is a bottom plan view thereof.  
The broken lines illustrate a portion of the epilator and form no part of the claimed design.

**1 Claim, 6 Drawing Sheets**

(56) **References Cited**  
U.S. PATENT DOCUMENTS

D530,449 S \* 10/2006 Kling ..... D28/44.1  
D627,102 S \* 11/2010 Leventhal ..... D28/48  
D645,202 S \* 9/2011 Beedham ..... D28/44.1  
D650,526 S \* 12/2011 Kling ..... D28/44.1  
D662,660 S \* 6/2012 Byun ..... D28/44.1



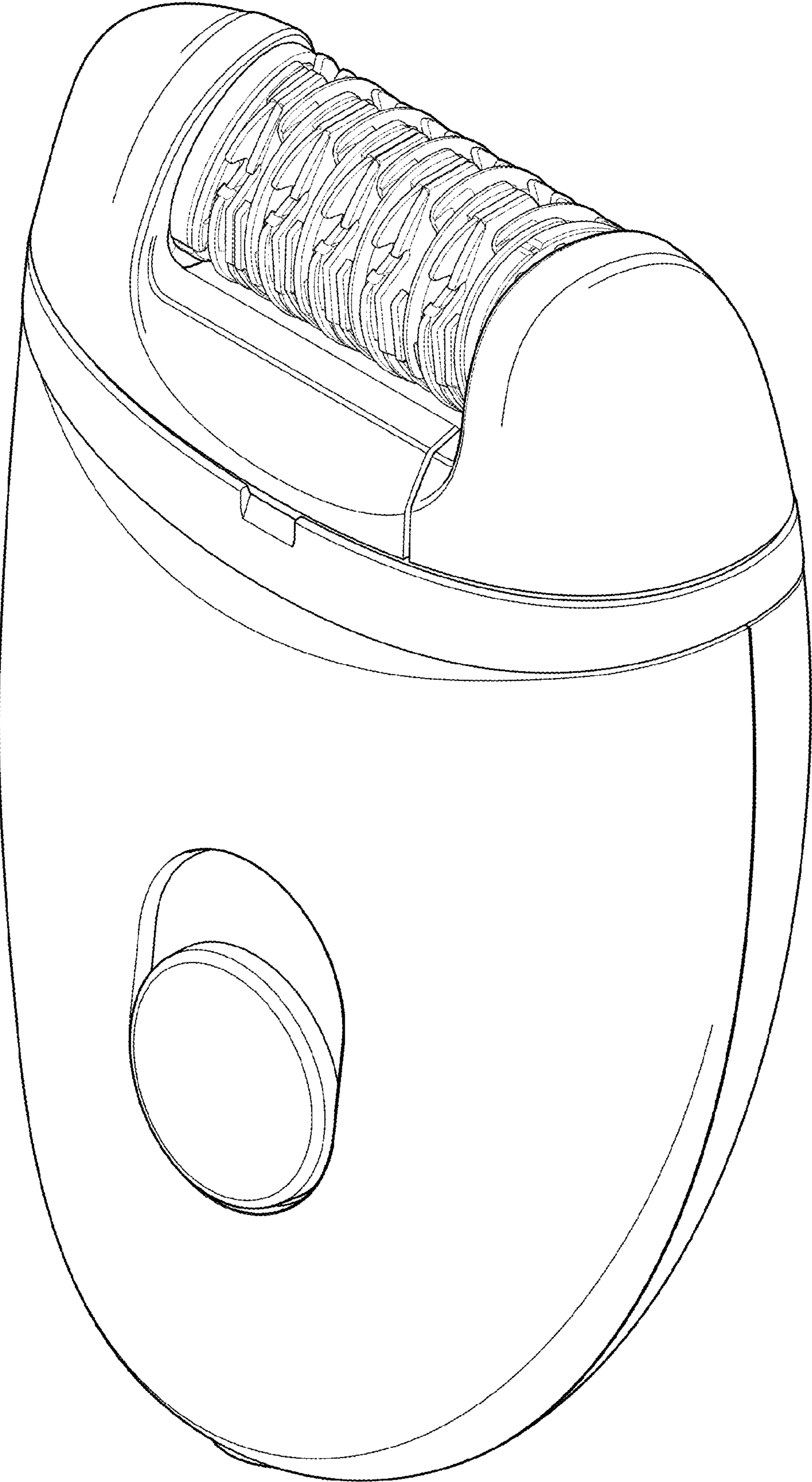


FIG. 1

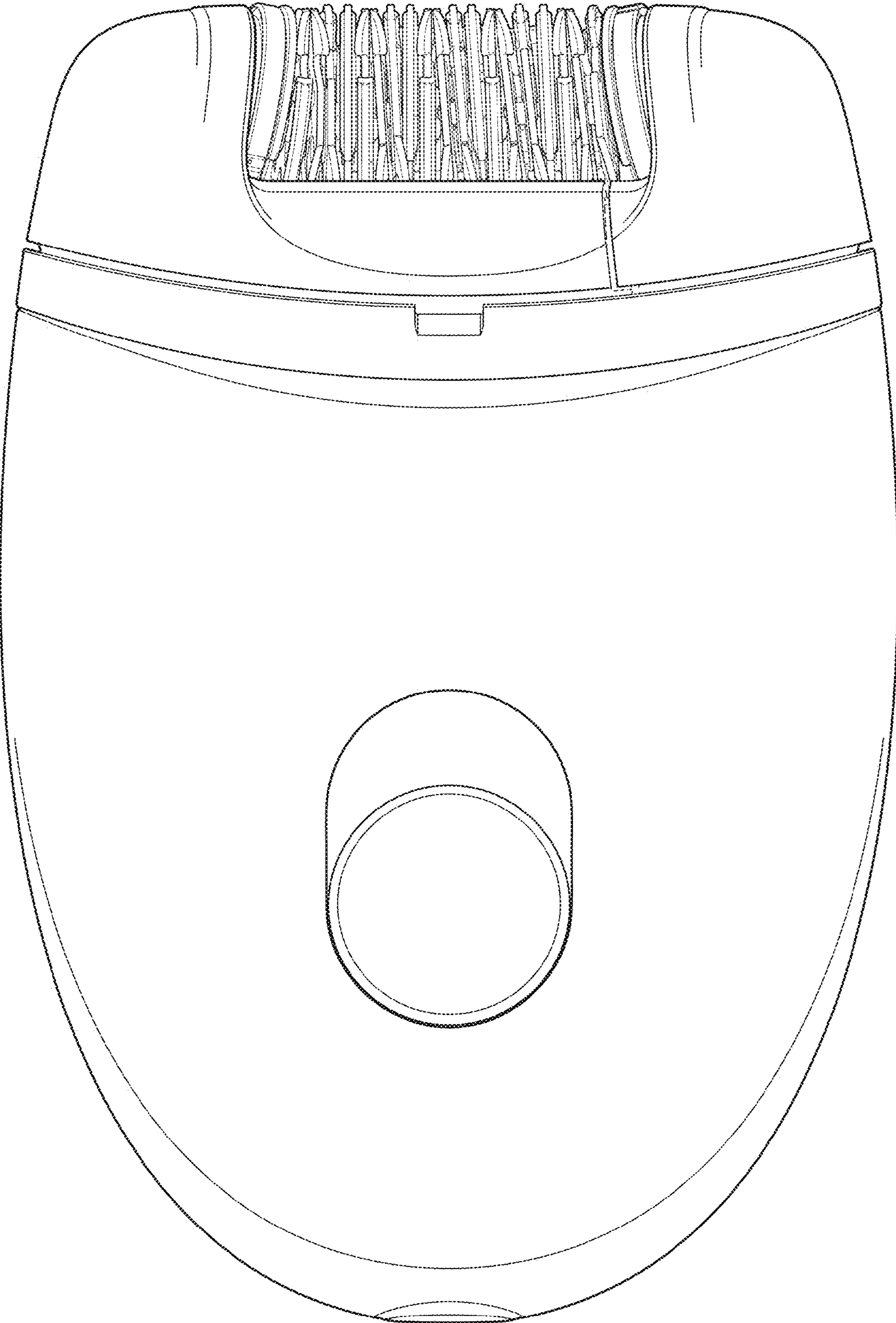


FIG. 2



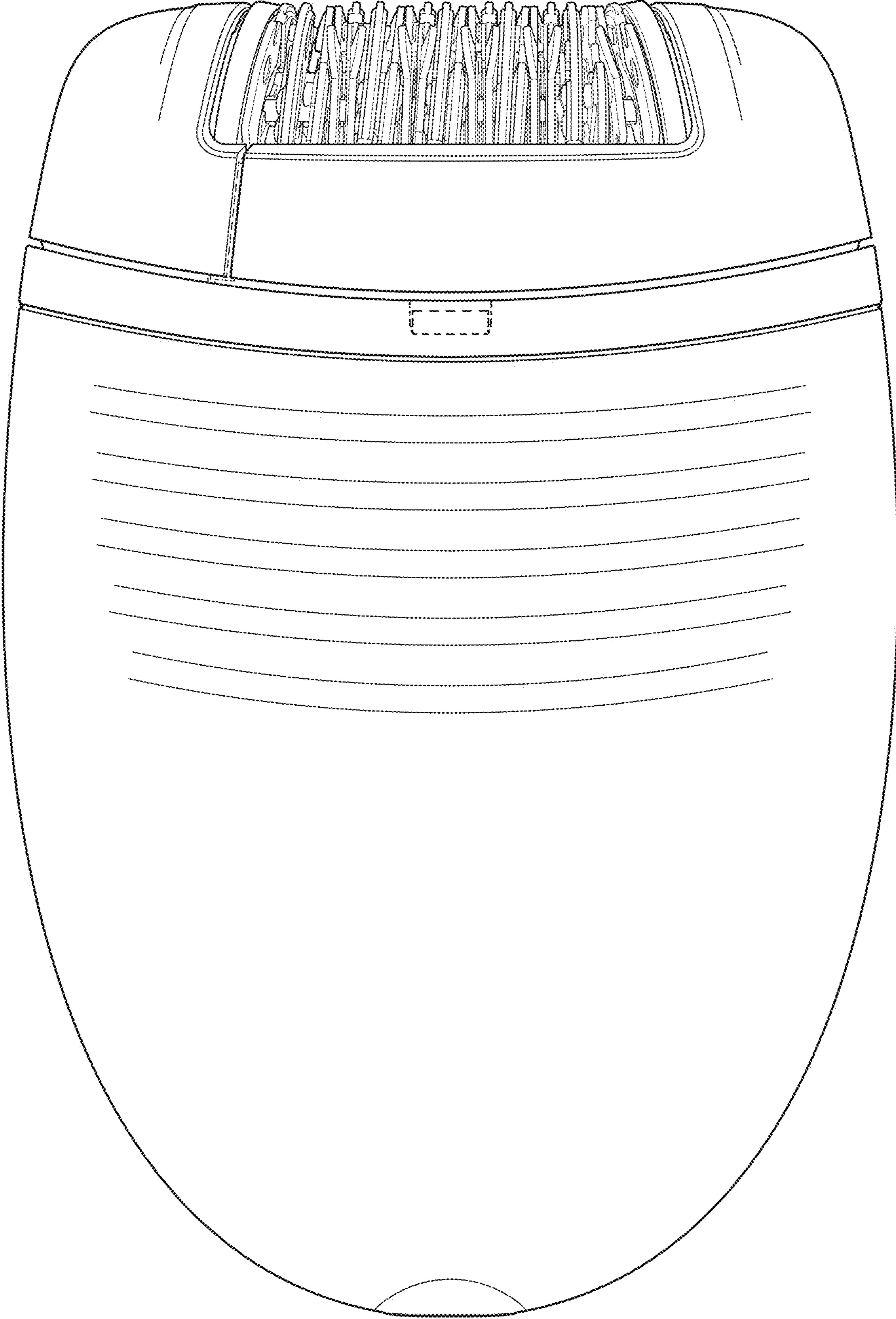


FIG. 3

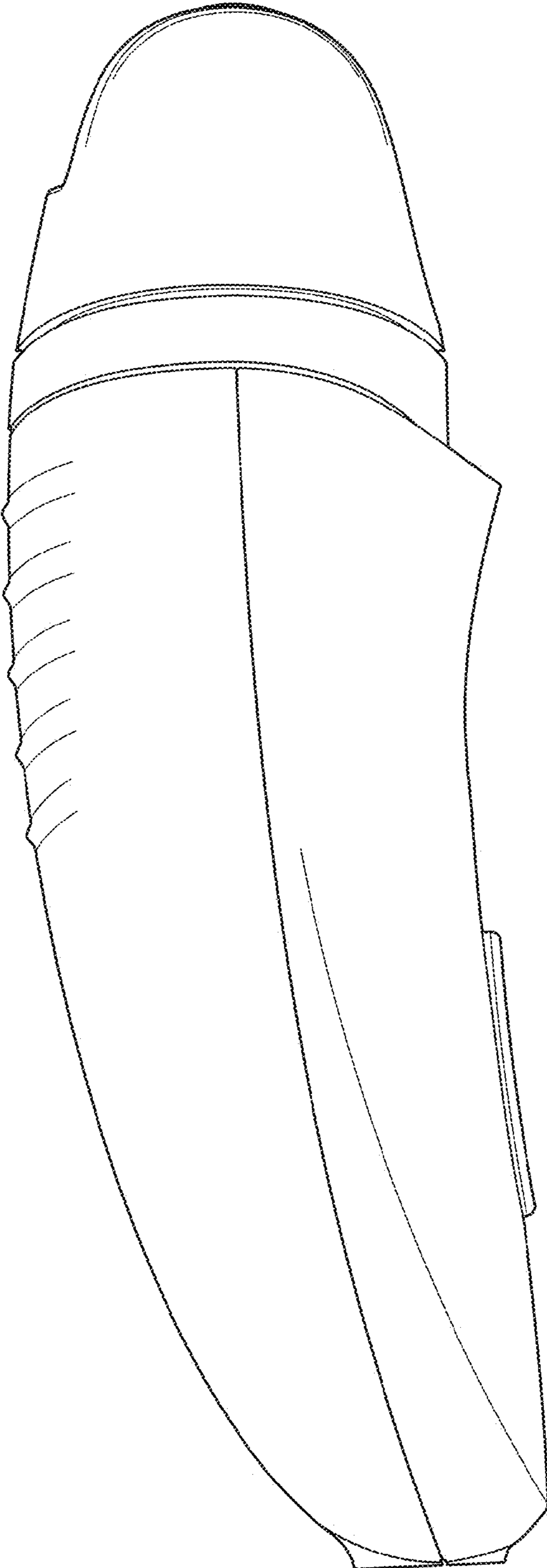


FIG. 4

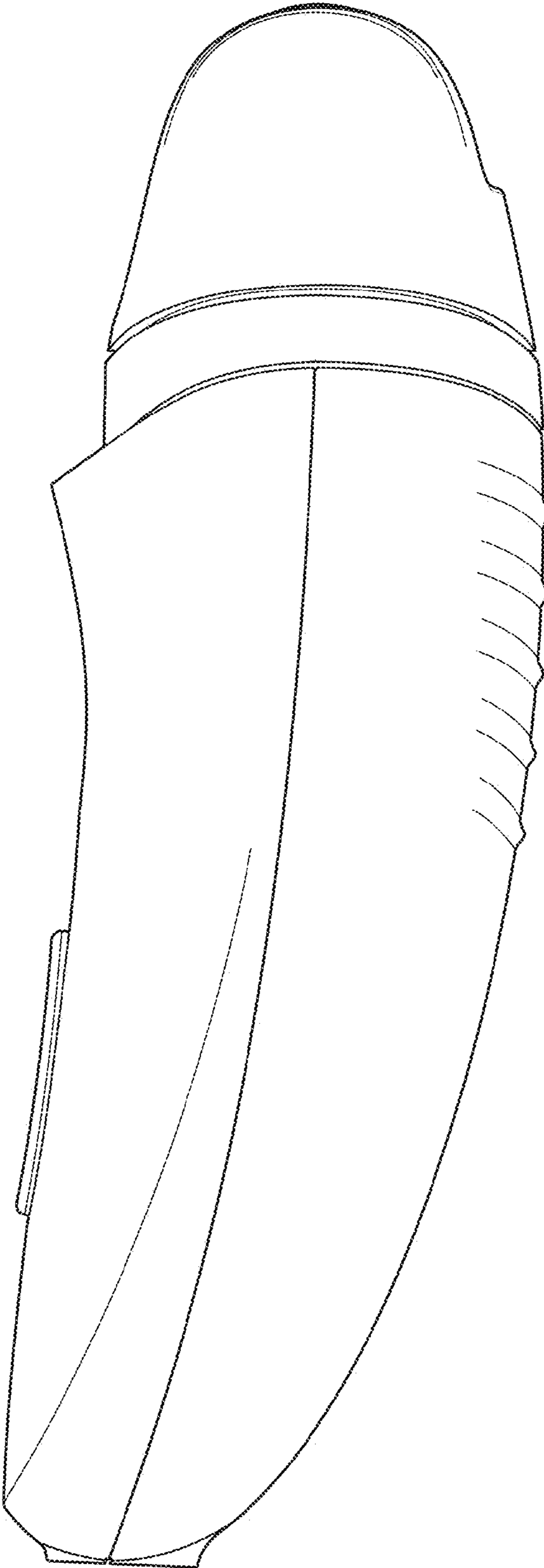


FIG. 5

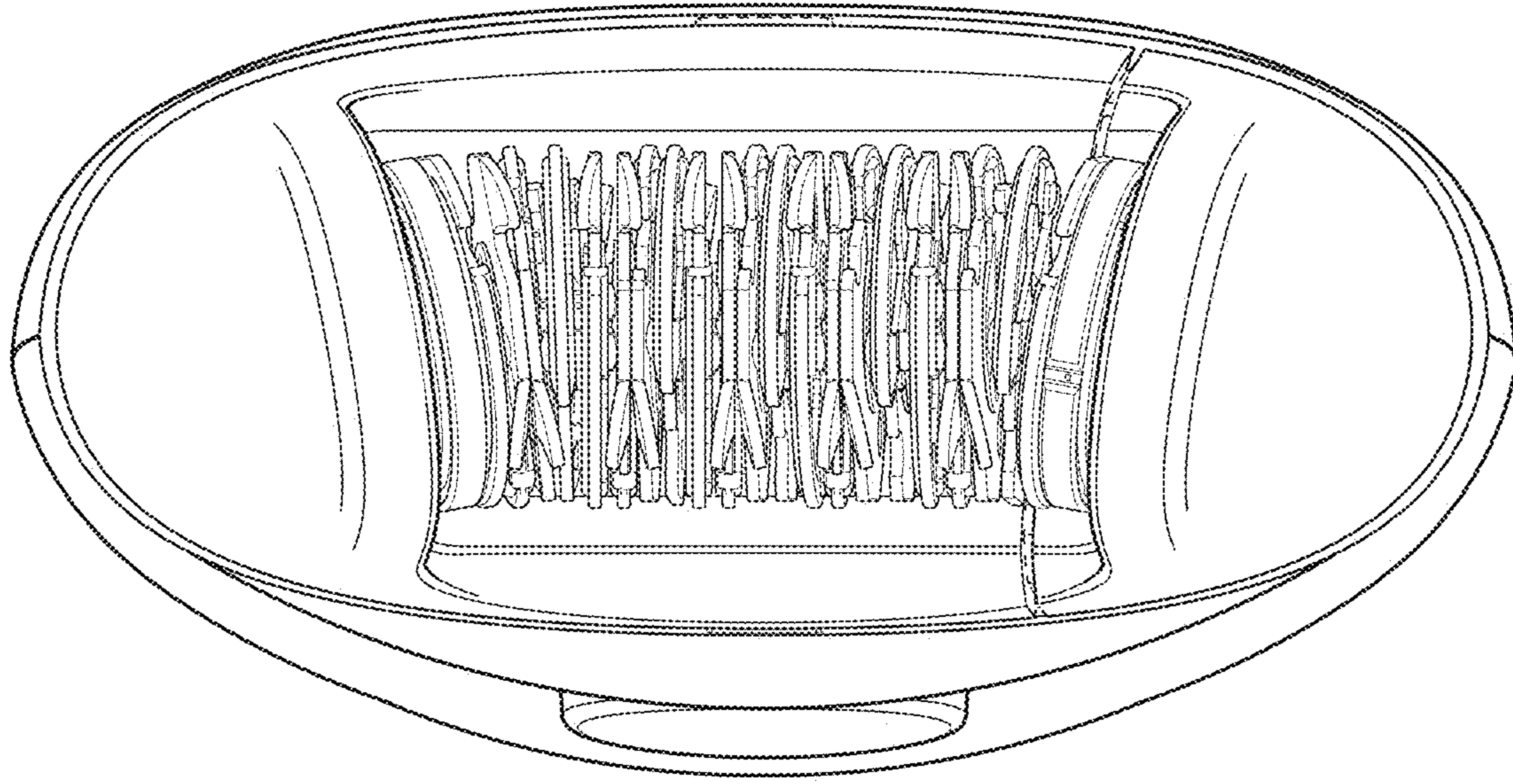


FIG. 6

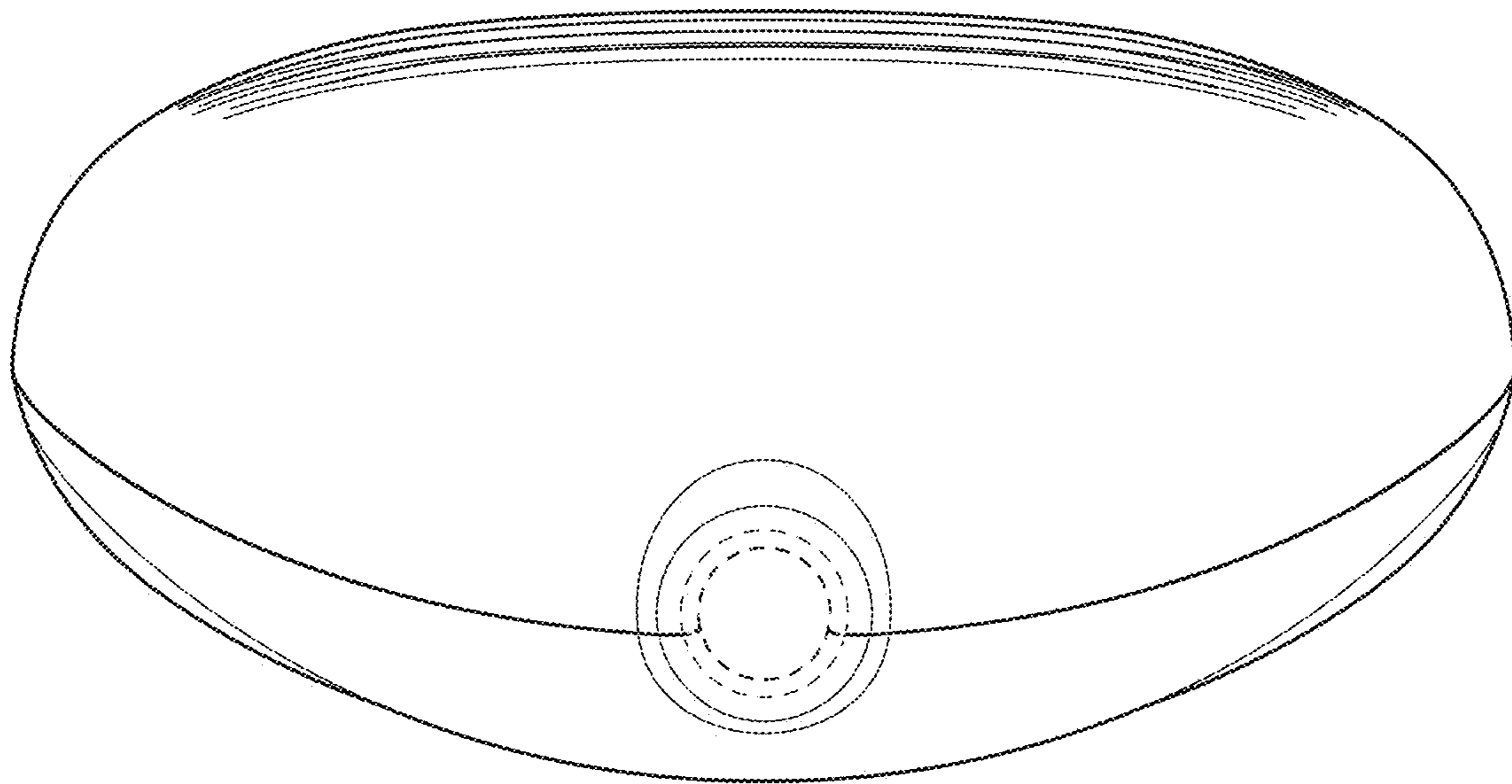


FIG. 7