



US00D912896S

(12) **United States Design Patent** (10) **Patent No.:** **US D912,896 S**
Zhao et al. (45) **Date of Patent:** **** Mar. 9, 2021**

(54) **HAIR STRAIGHTENER**
(71) Applicant: **THUMBS UP CROSS BORDER E-COMMERCE CO., LTD.**, Zhuhai (CN)

D650,941 S * 12/2011 Sidebotham D28/35
D672,088 S * 12/2012 Julemont D28/35
D672,089 S * 12/2012 Julemont D28/35

(Continued)

FOREIGN PATENT DOCUMENTS

(72) Inventors: **Yuqiang Zhao**, Zhuhai (CN); **Yubin Li**, Zhuhai (CN); **Xiu Zou**, Zhuhai (CN); **Zhidong Wang**, Zhuhai (CN); **Lilin Xu**, Zhuhai (CN); **Jiacheng Huang**, Zhuhai (CN); **Fen He**, Zhuhai (CN)

EM 007685607-0001 * 2/2020
EM 007685607-0002 * 2/2020

OTHER PUBLICATIONS

(73) Assignee: **THUMB'S UP CROSS BORDER E-COMMERCE CO., LTD.**, Zhuhai (CN)

KIPOZI Pro Flat Iron [online], [site visited Oct. 21, 2020]. Available from internet, URL:<<https://www.amazon.com/KIPOZI-Straightener-Ceramic-Plates-Adjustable/dp/B07Y2V8WDZ>> (Year: 2019).*

(Continued)

(**) Term: **15 Years**

Primary Examiner — Cynthia Ramirez
Assistant Examiner — Xavier Marti-Santos

(21) Appl. No.: **29/722,046**

(74) *Attorney, Agent, or Firm* — Law Offices of Steven W. Weinrieb

(22) Filed: **Jan. 24, 2020**

(57) **CLAIM**

(51) **LOC (13) Cl.** **28-03**

The ornamental design for a hair straightener, as shown and described.

(52) **U.S. Cl.**

DESCRIPTION

USPC **D28/35**

(58) **Field of Classification Search**

USPC D28/10, 35, 37, 38
CPC A45D 2/00; A45D 2001/045; A45D 1/16; A45D 1/04; A45D 1/18; A45D 1/06-14; A45D 2/02-10; A45D 2/38-42; A45D 2/001-002

See application file for complete search history.

FIG. 1 is a front, right side, top perspective view of a hair straightener showing our new design; FIG. 2 is a rear, left side, bottom perspective view thereof; FIG. 3 is a front elevational view thereof; FIG. 4 is a rear elevational view thereof; FIG. 5 is a left side elevational view thereof; FIG. 6 is a right side elevational view thereof; FIG. 7 is a top plan view thereof; FIG. 8 is a bottom plan view thereof; and, FIG. 9 is a front, right side, top perspective view thereof with the two sections of the hair straightener disposed in a partially open state.

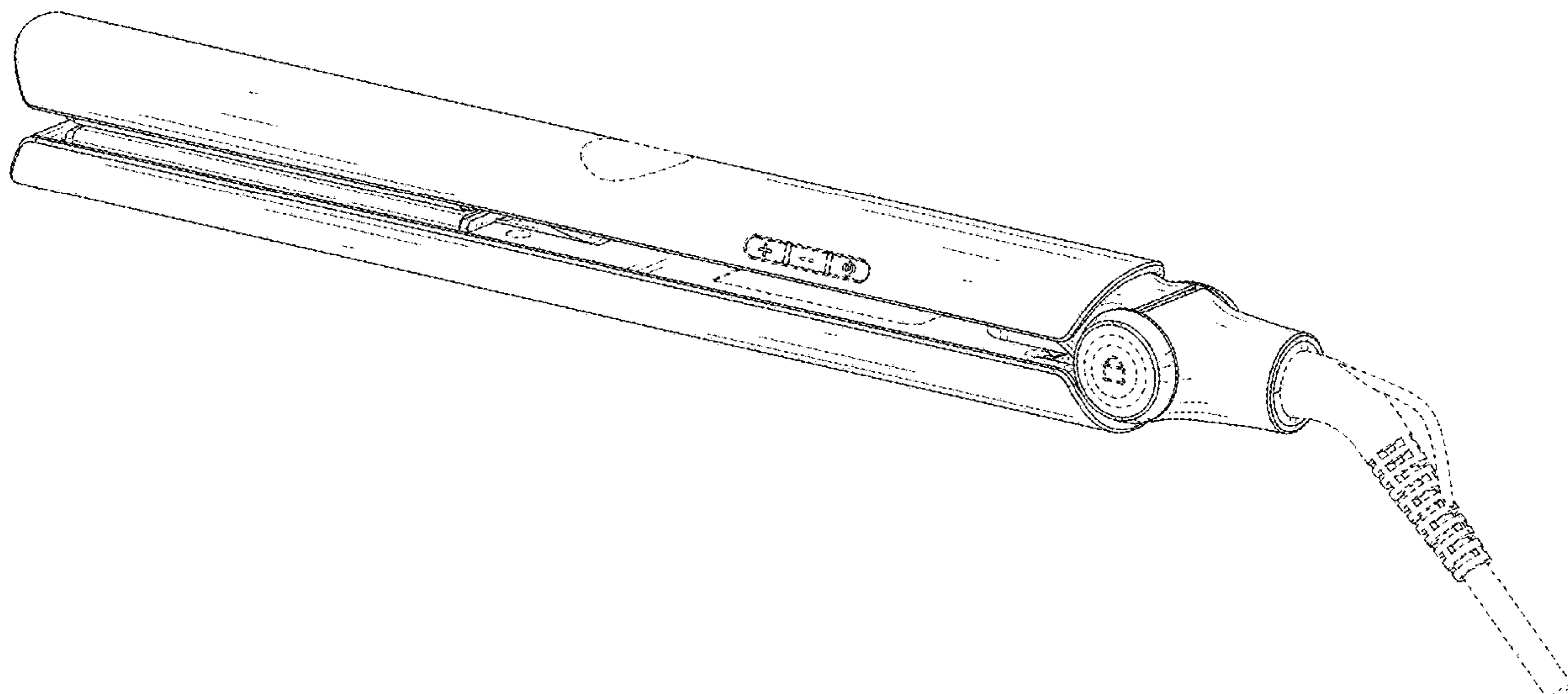
The broken lines depict portions of the hair straightener that form no part of the claimed design.

(56) **References Cited**

U.S. PATENT DOCUMENTS

D570,044 S * 5/2008 Leung D28/35
D618,395 S * 6/2010 Mau D28/35
7,730,895 B2 * 6/2010 Maddocks A45D 1/06
132/224
D646,022 S * 9/2011 Schmitz D28/35

1 Claim, 9 Drawing Sheets



(56)

References Cited

U.S. PATENT DOCUMENTS

D724,267 S * 3/2015 Thornley D28/35
D816,902 S * 5/2018 Delassus D28/35
D837,448 S * 1/2019 Maochang D28/35
D865,287 S * 10/2019 Feng D28/35
D870,968 S * 12/2019 Peng D28/35
D875,311 S * 2/2020 Yang D28/35

OTHER PUBLICATIONS

KIPOZI Hair Straightener [online], [site visited Oct. 21, 2020].
Available from internet, URL:<<https://www.amazon.com/KIPOZI-Straightener-Curling-Titanium-V7/dp/B07VW5RB2G/?th=1>> (Year: 2019).*

* cited by examiner

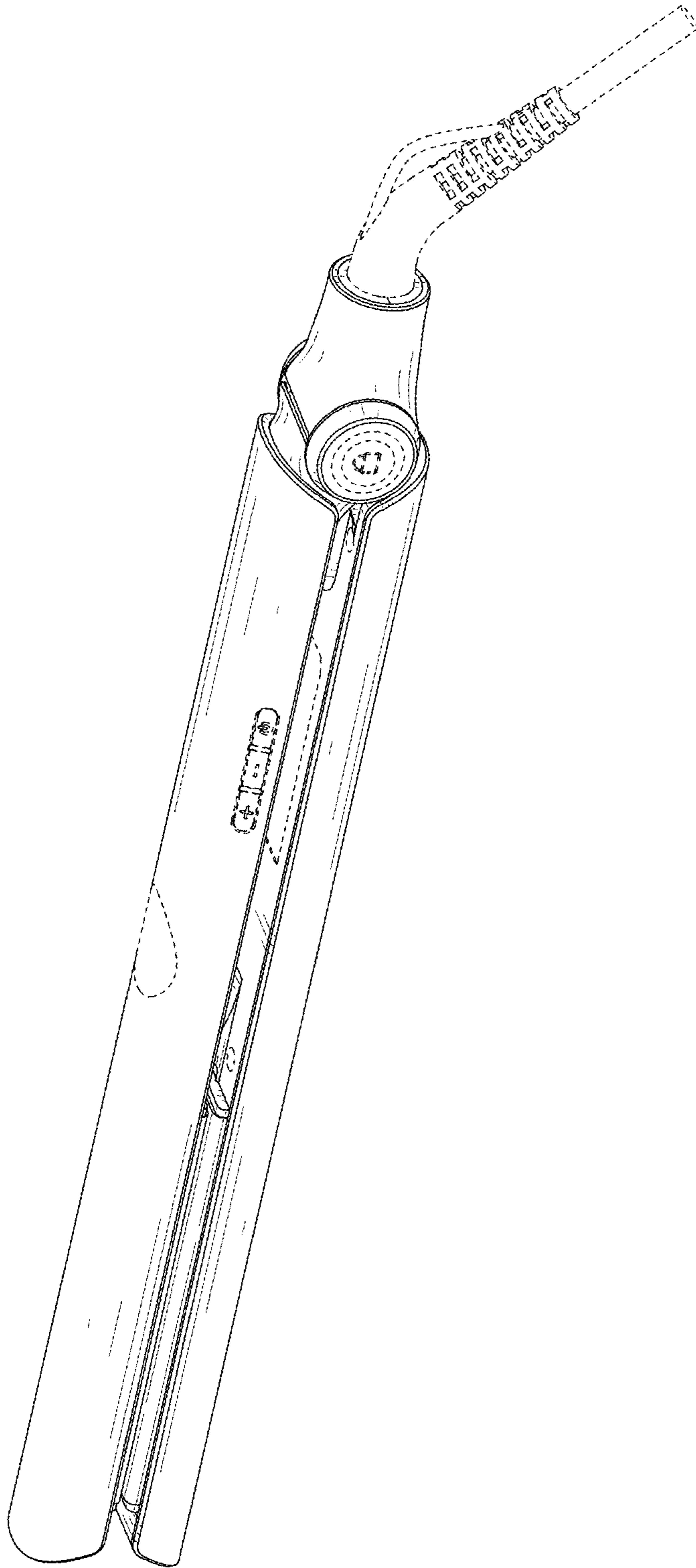


FIG. 1

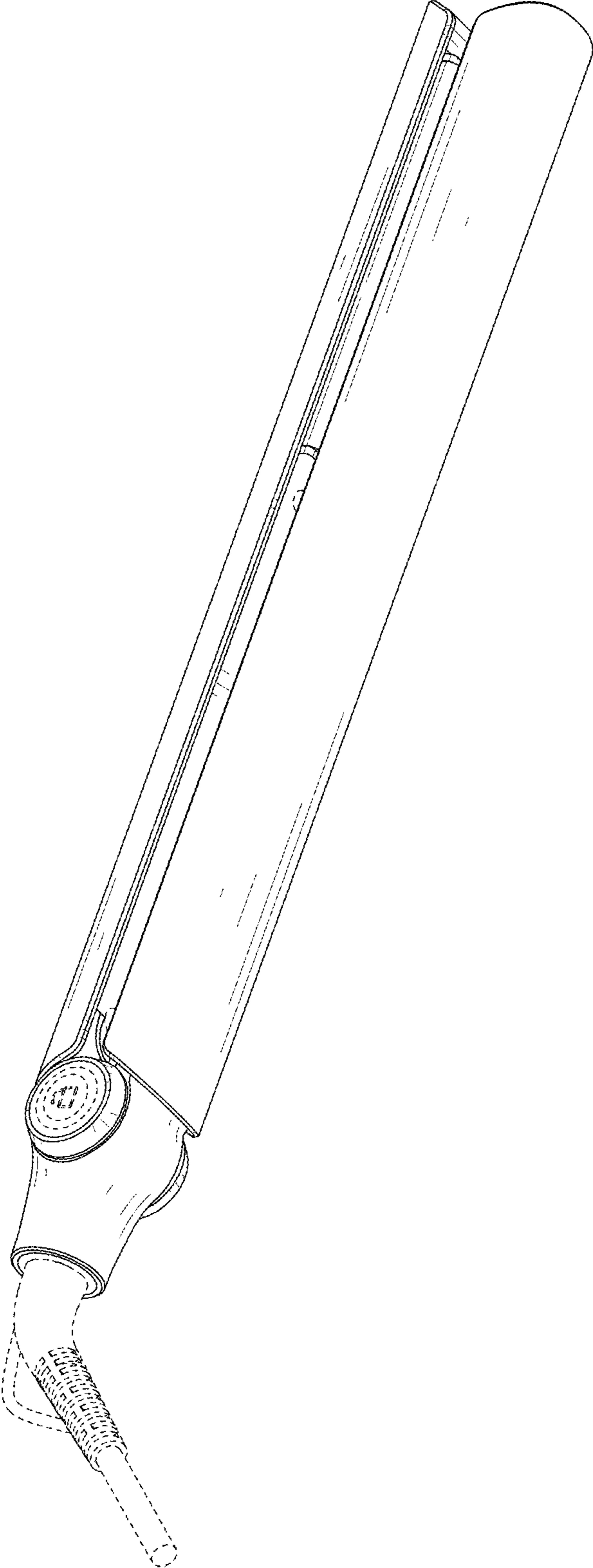


FIG. 2

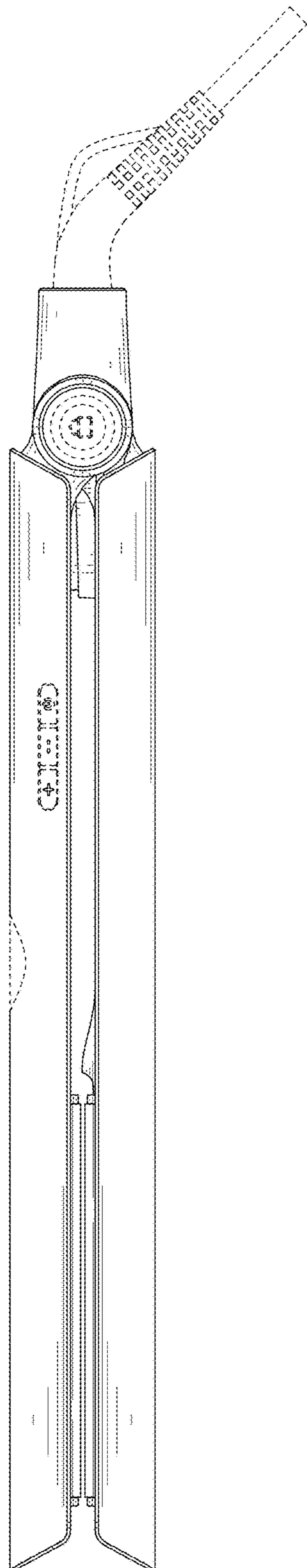


FIG. 3

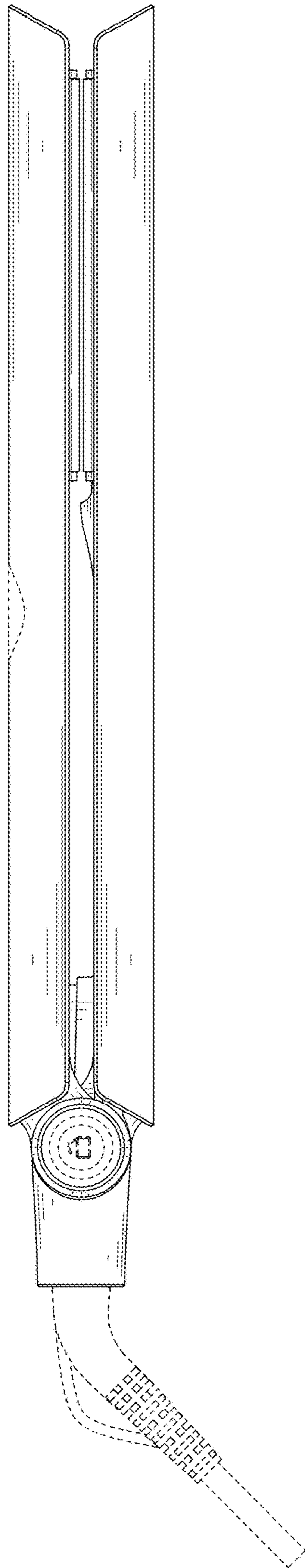


FIG. 4

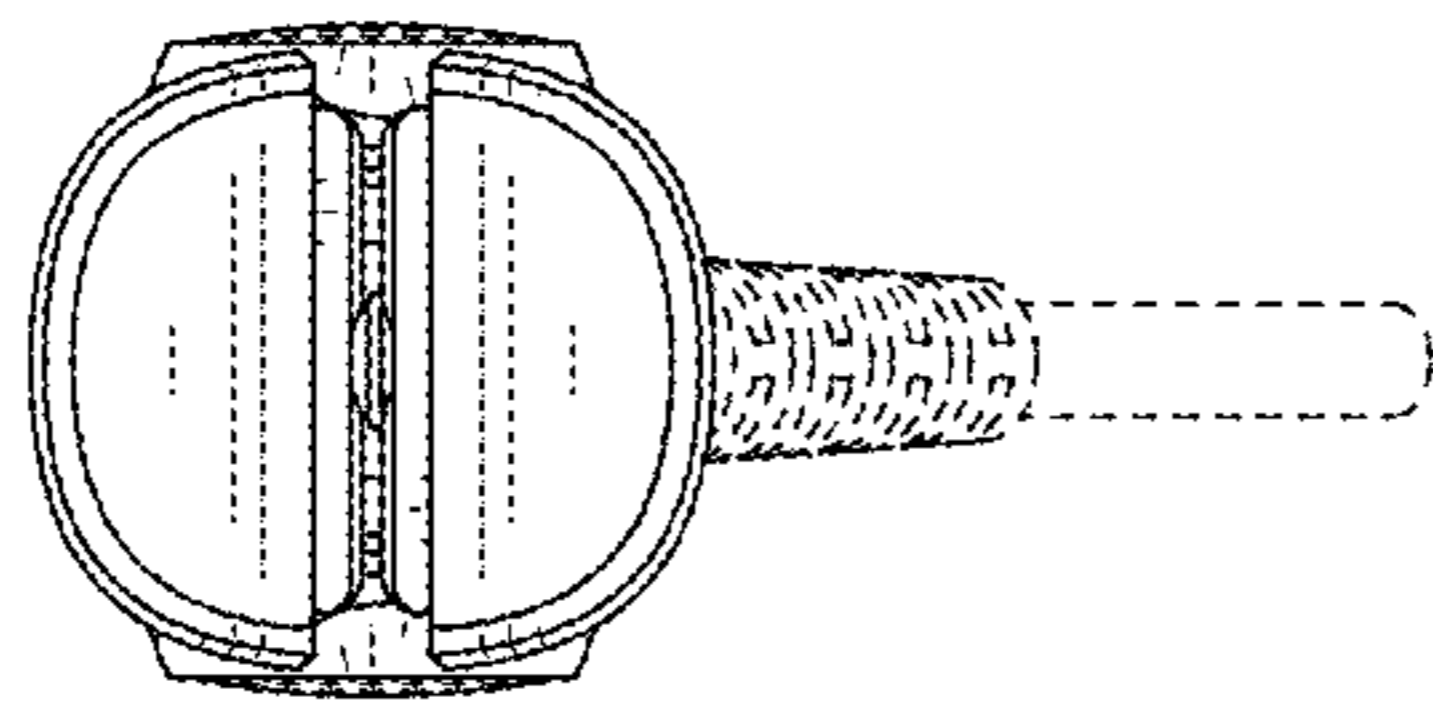


FIG. 5

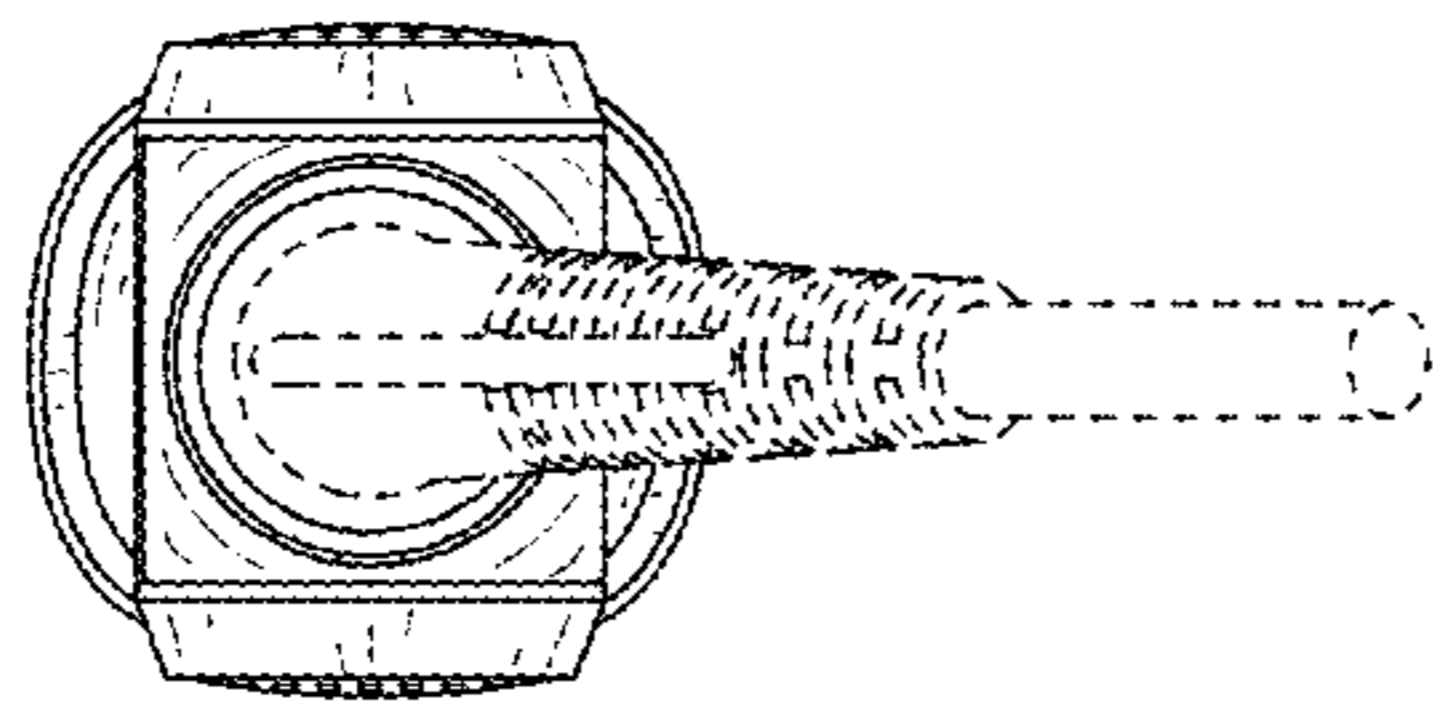


FIG. 6

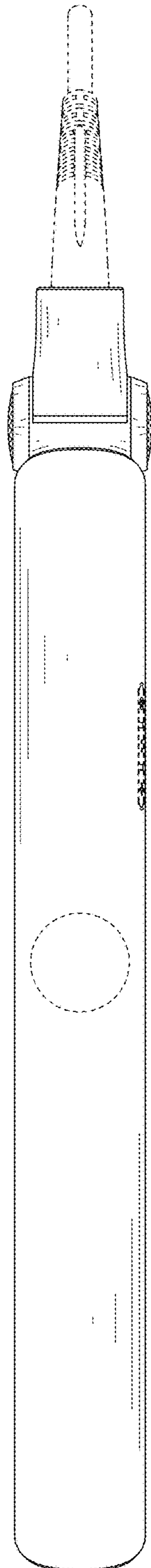


FIG. 7

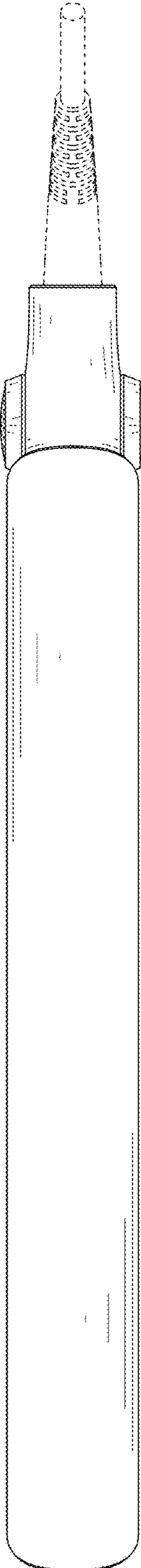


FIG. 8

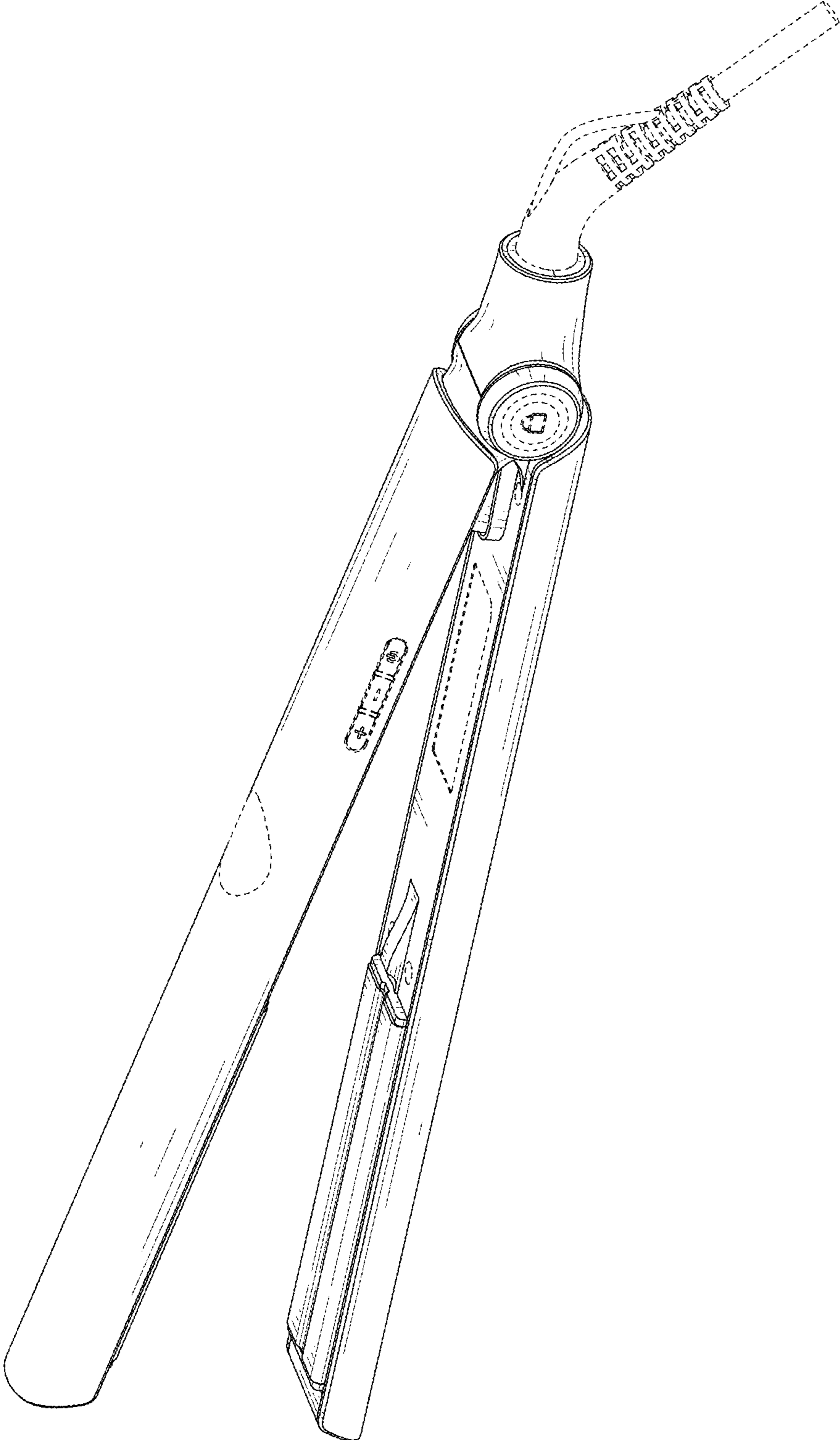


FIG. 9