



US00D912894S

(12) **United States Design Patent**
Shin et al.

(10) **Patent No.:** **US D912,894 S**
(45) **Date of Patent:** **** Mar. 9, 2021**

(54) **HAIR DRIER**

(71) Applicant: **LG ELECTRONICS INC.**, Seoul
(KR)

(72) Inventors: **Daekee Shin**, Seoul (KR); **Sunjung Park**, Seoul (KR); **Hophil Lee**, Seoul (KR)

(73) Assignee: **LG ELECTRONICS INC.**, Seoul (KR)

(**) Term: **15 Years**

(21) Appl. No.: **29/710,638**

(22) Filed: **Oct. 24, 2019**

(30) **Foreign Application Priority Data**

Apr. 25, 2019 (WO) WIPO82957

(51) **LOC (13) Cl.** **28-03**

(52) **U.S. Cl.**
USPC **D28/13**

(58) **Field of Classification Search**
USPC D28/12-19; D8/29.1
CPC A45D 20/00; A45D 20/04; A45D 20/06;
A45D 20/08; A45D 20/10; A45D 20/128;
F24H 3/0423; F24H 3/0488; F24H 3/002;
F24H 9/2071
See application file for complete search history.

(56) **References Cited**

U.S. PATENT DOCUMENTS

D716,492 S * 10/2014 Dyson A45D 20/12
D28/13
D729,979 S * 5/2015 Gammack D28/13

D731,117 S * 6/2015 Bates D28/13
D757,362 S * 5/2016 Dyson D28/13
D782,733 S * 3/2017 Smith D28/13
D791,407 S * 7/2017 Smith D28/13
D850,717 S * 6/2019 Huang D28/13
D884,965 S * 5/2020 Liu D28/13

* cited by examiner

Primary Examiner — Zenia I Bennett

(74) *Attorney, Agent, or Firm* — Birch, Stewart, Kolasch & Birch, LLP

(57) **CLAIM**

The ornamental design for a hair drier, as shown and described.

DESCRIPTION

FIG. 1 is a front perspective view of the hair drier showing our new design;
FIG. 2 is a front view thereof;
FIG. 3 is a back view thereof;
FIG. 4 is a left view thereof where the right view is a mirror image;
FIG. 5 is a top view thereof;
FIG. 6 is a bottom view thereof;
FIG. 7 is a back perspective view thereof; and,
FIG. 8 is a reference view showing the state of use in which the display part is operated.
The broken lines depict portions of the hair drier that form no part of the claimed design.

1 Claim, 8 Drawing Sheets

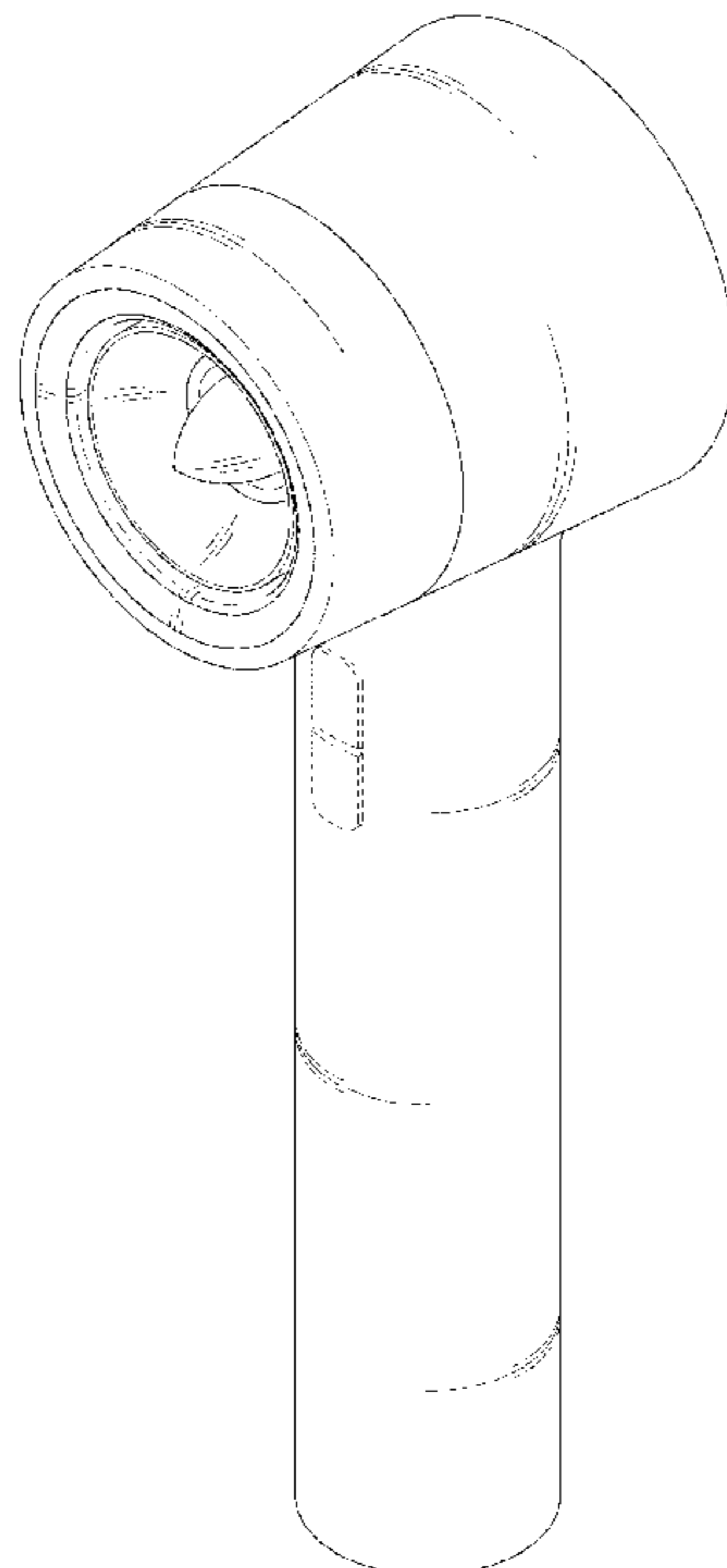


FIG. 1

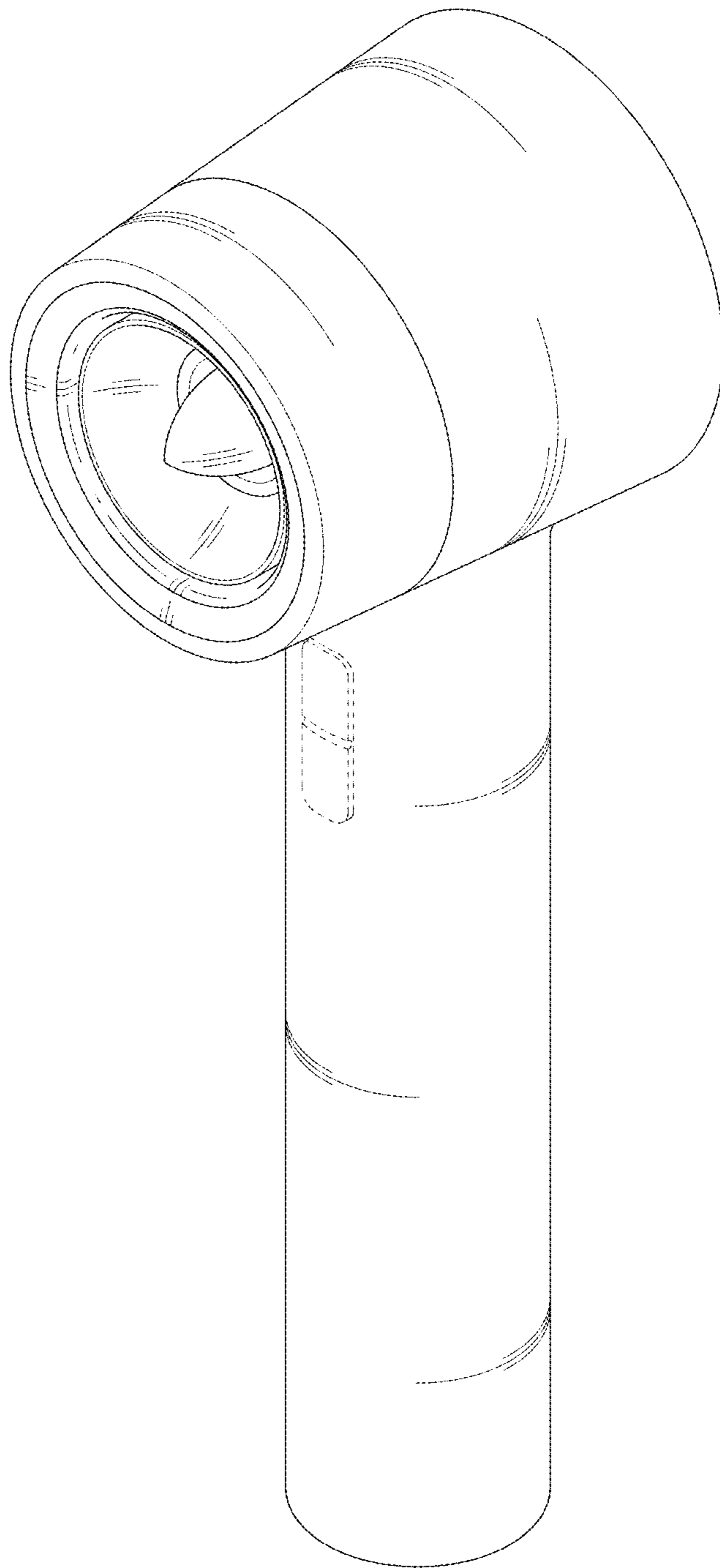


FIG. 2

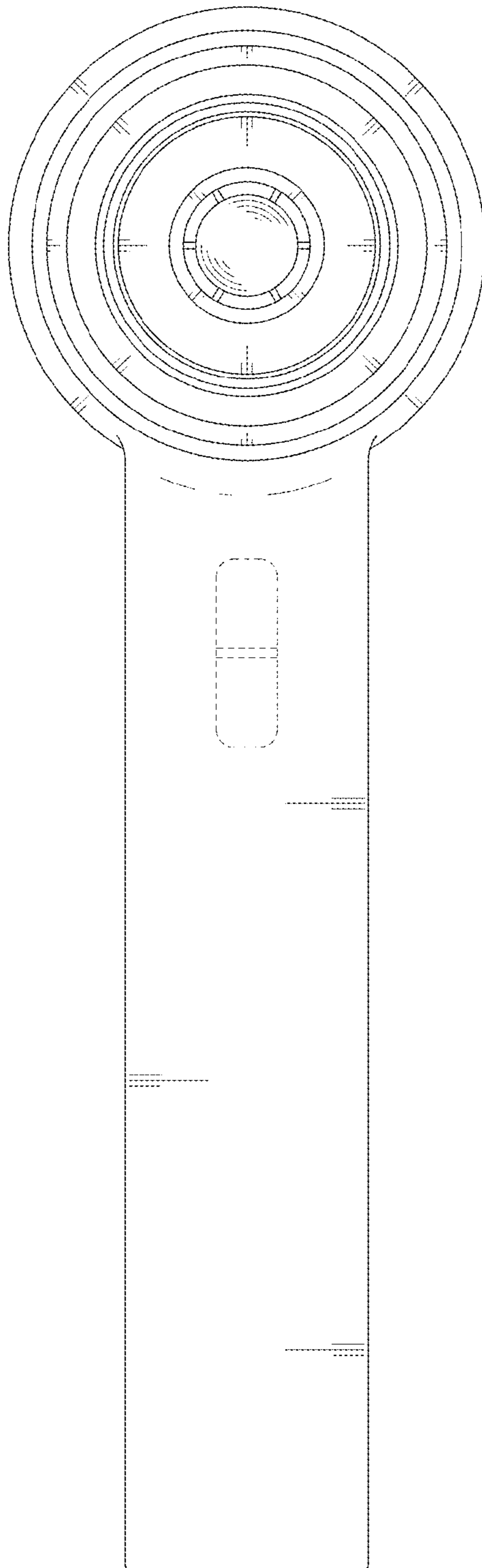


FIG. 3

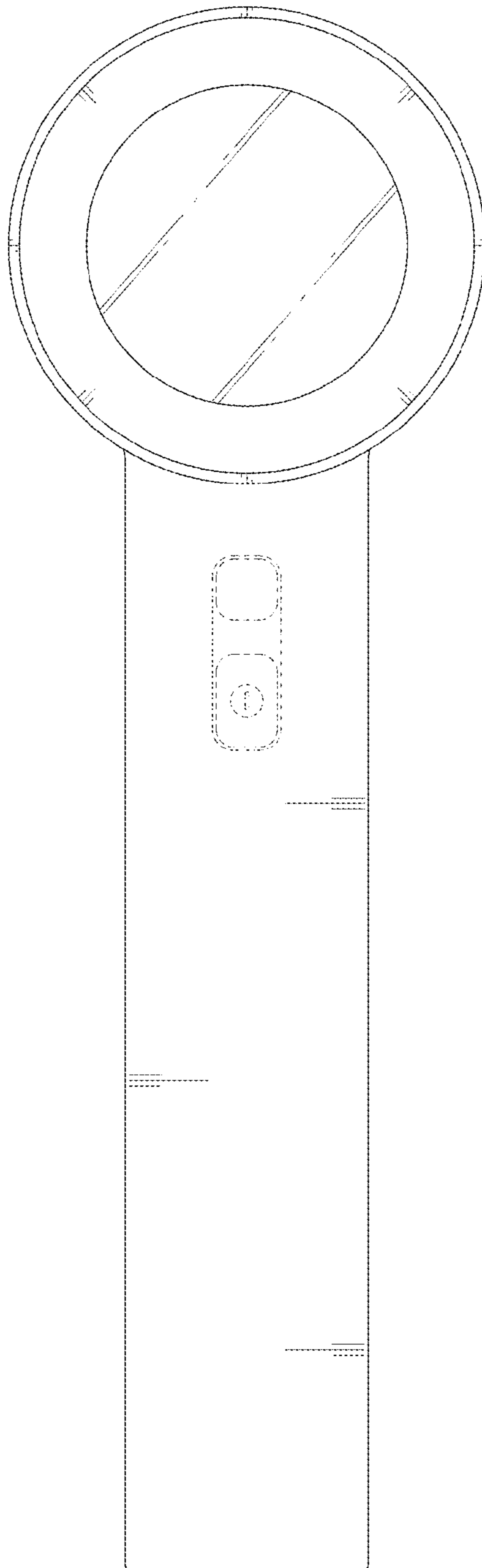


FIG. 4

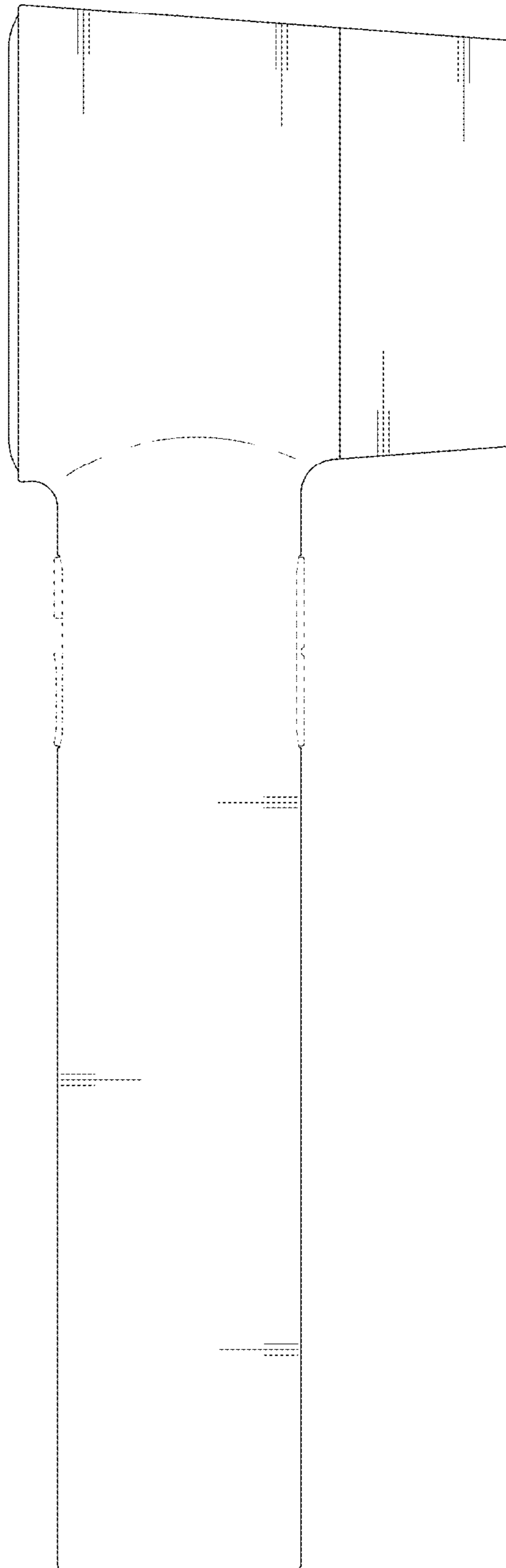


FIG. 5

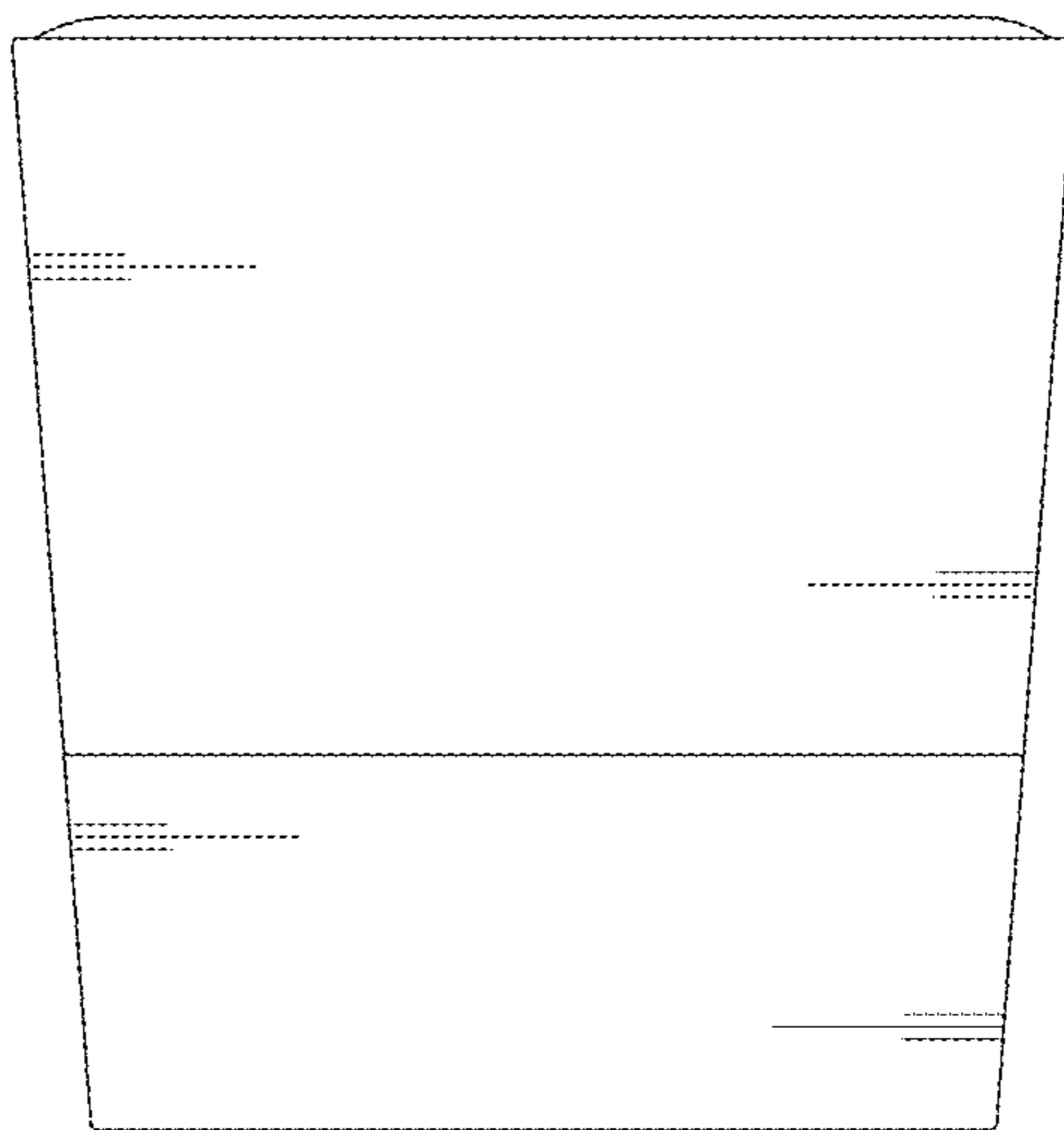


FIG. 6

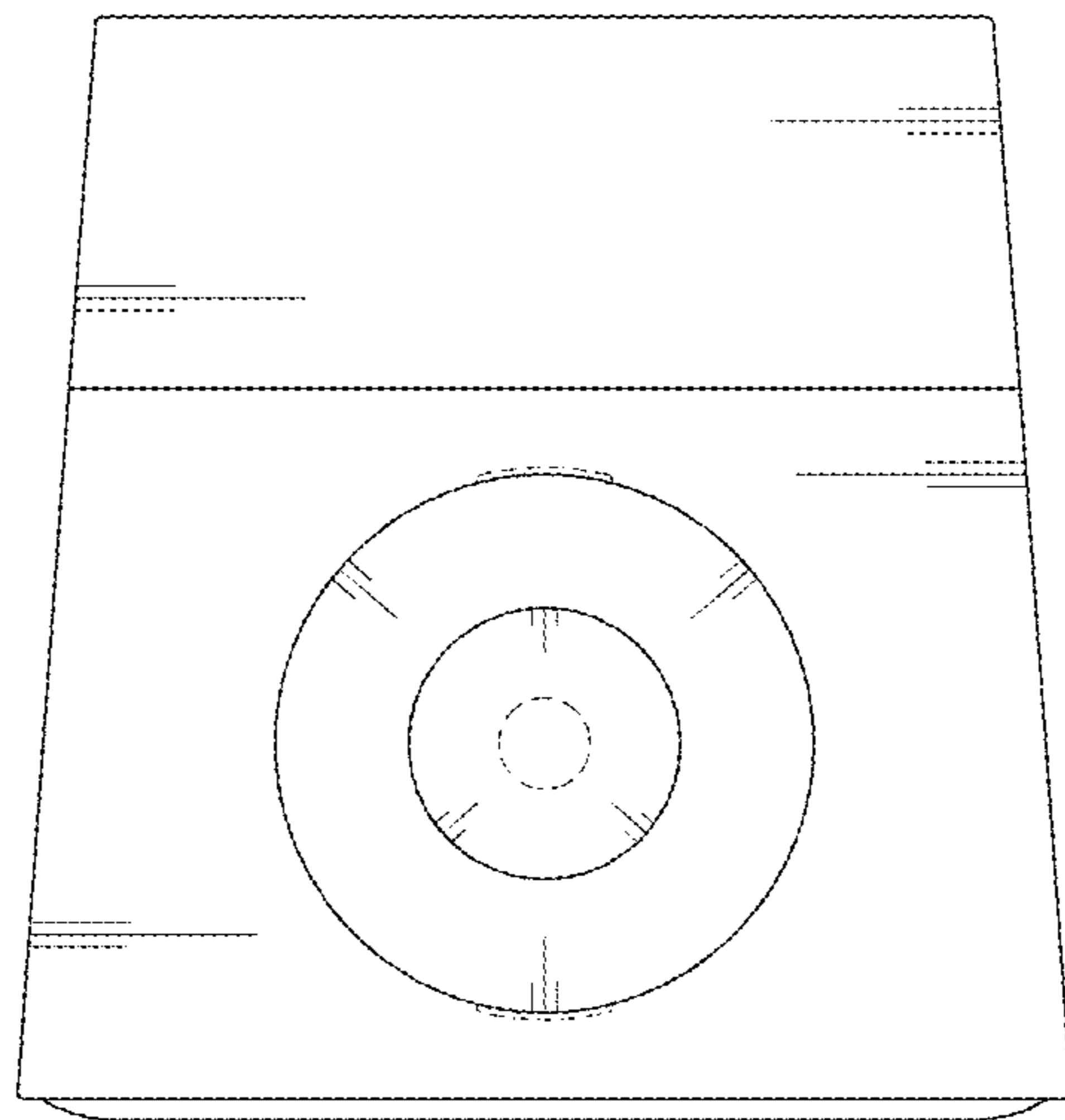


FIG. 7

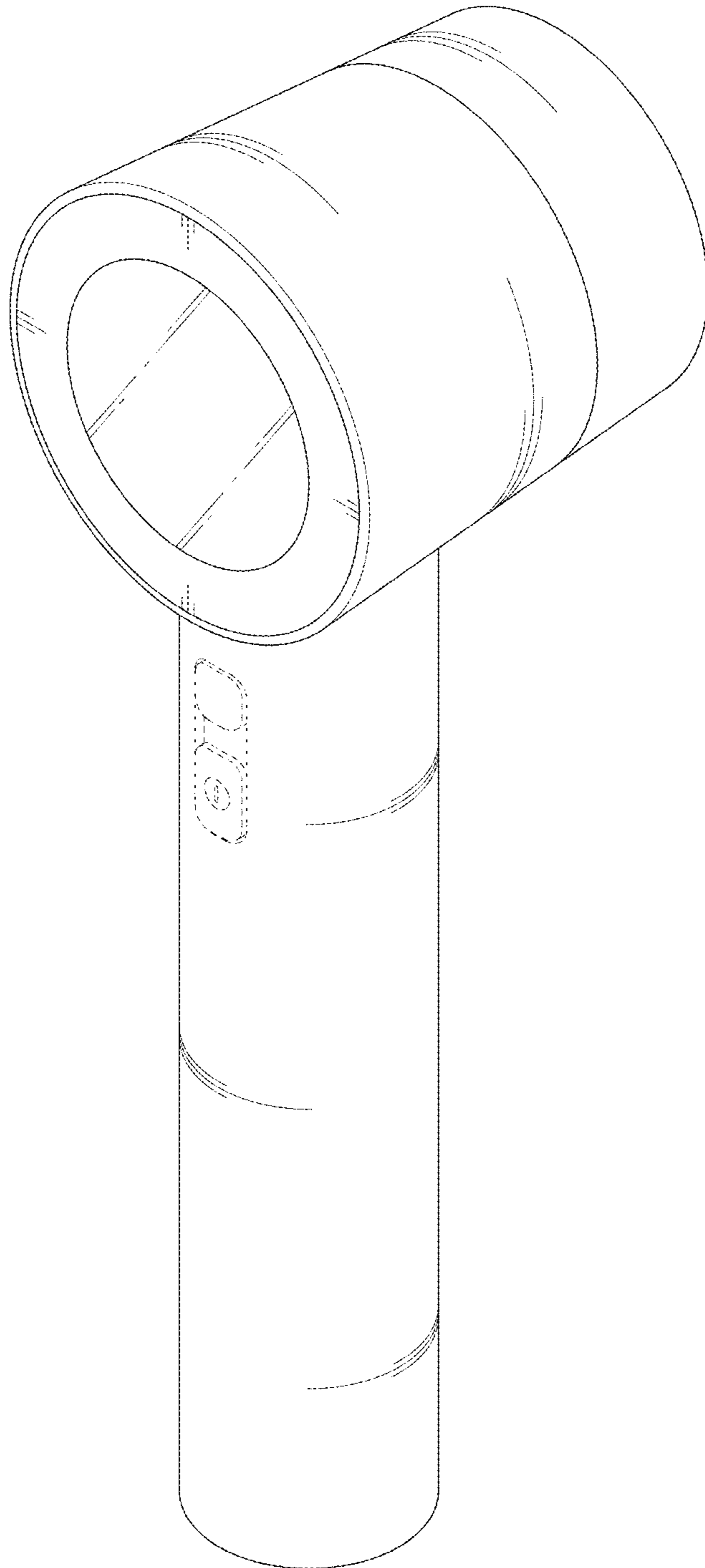


FIG. 8

