



US00D912892S

(12) **United States Design Patent** (10) **Patent No.:** **US D912,892 S**
Tegowski et al. (45) **Date of Patent:** **** Mar. 9, 2021**

(54) **DEVICE FOR APPLYING PERMANENT MAKEUP**

(71) Applicant: **MT.DERM GmbH**, Berlin (DE)

(72) Inventors: **Rafael Tegowski**, Berlin (DE); **Jana Geißler**, Berlin (DE)

(**) Term: **15 Years**

(21) Appl. No.: **35/507,565**

(22) Filed: **Mar. 26, 2019**

(80) **Hague Agreement Data**

Int. Filing Date: **Mar. 26, 2019**

Int. Reg. No.: **DM/203481**

Int. Reg. Date: **Mar. 26, 2019**

Int. Reg. Pub. Date: **Oct. 25, 2019**

(51) **LOC (13) Cl.** **28-02**

(52) **U.S. Cl.**
USPC **D28/7; D24/144**

(58) **Field of Classification Search**
USPC D28/55, 7, 57, 99, 76, 77; D24/144, 146, D24/133, 147; D19/186, 917
CPC A61M 37/00; A61M 37/0076; A61M 37/0084; A61M 5/46; A61M 5/48; A61M 5/482; A45D 2200/10; A45D 2200/1036; A45D 2200/1045

See application file for complete search history.

(56) **References Cited**

U.S. PATENT DOCUMENTS

D181,841 S * 1/1958 Doman D19/186
D210,858 S * 4/1968 Zierhut D19/186
D226,829 S * 5/1973 Staub D24/150
4,167,350 A * 9/1979 Harris B43K 8/03
401/260
D271,419 S * 11/1983 Hoff D24/144
D364,923 S * 12/1995 Chou D24/144
D415,859 S * 10/1999 Gobe D28/7
D416,042 S * 11/1999 Burkhardt, Jr. D19/179

D638,939 S * 5/2011 Eikhoff D24/144
D654,217 S * 2/2012 Brodish D28/7
D679,396 S * 4/2013 Jan D24/144
9,381,336 B2 * 7/2016 Jarling A61M 37/00
D805,195 S * 12/2017 Lee D24/144
D848,674 S * 5/2019 Zu D28/7

(Continued)

FOREIGN PATENT DOCUMENTS

CN 3374024 * 10/2003
CN 201730149212 * 4/2017
EM 004140077-0001 * 8/2017

(Continued)

OTHER PUBLICATIONS

Amazon, Biomaster Permanent Makeup, posted Nov. 19, 2018, [online], [visited Jul. 31, 2020]. Internet, <URL: <https://www.amazon.co.uk/BIOMASER-Permanent-Machine-Professional-Digital/dp/B07KP75XDN/ref>> (Year: 2018).*

(Continued)

Primary Examiner — George D. Kirschbaum
Assistant Examiner — Samantha N Wood

(57) **CLAIM**

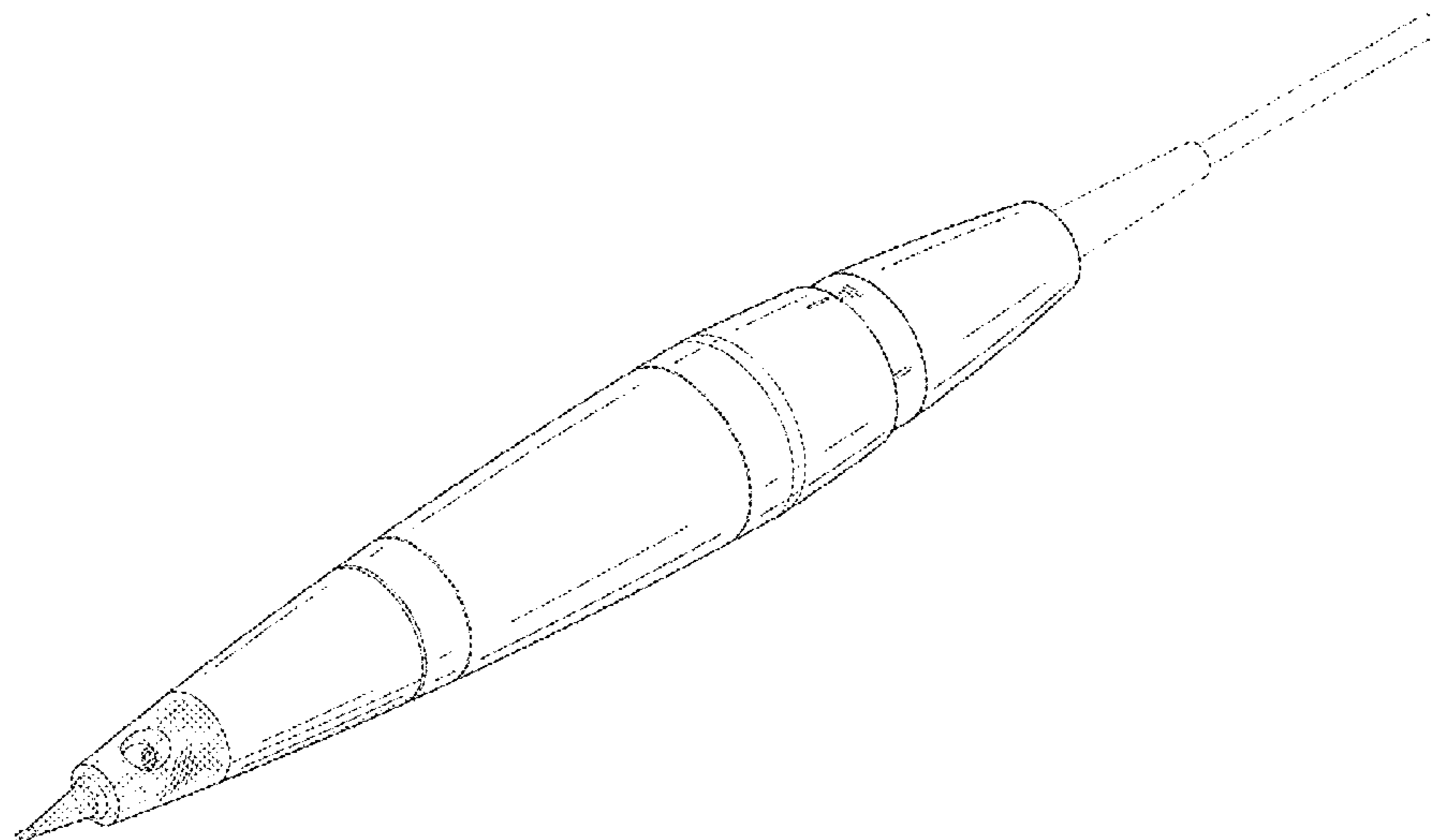
The ornamental design for a device for applying permanent make-up, as shown and described.

DESCRIPTION

- 1. Device for applying permanent make-up
- 1.1 : Perspective
- 1.2 : Left
- 1.3 : Right
- 1.4 : Bottom
- 1.5 : Top
- 1.6 : Back
- 1.7 : Front

The broken lines are included for the purpose of illustrating environmental structure and form no part of the claimed design.

1 Claim, 7 Drawing Sheets



(56)

References Cited

U.S. PATENT DOCUMENTS

2008/0306502 A1 * 12/2008 Lisec A01K 11/005
606/186
2014/0358173 A1 * 12/2014 Lin A61M 37/0076
606/185

FOREIGN PATENT DOCUMENTS

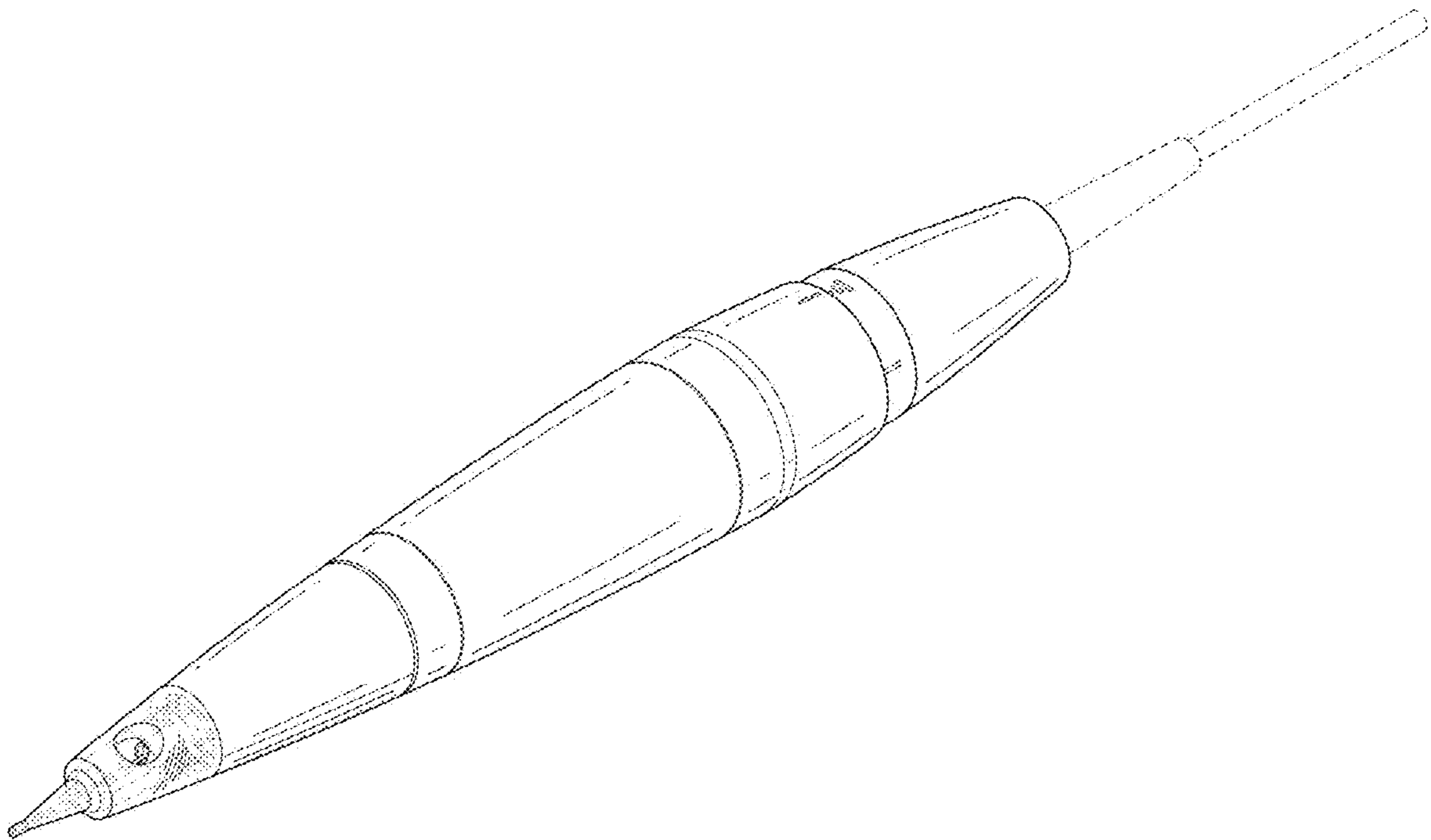
EP 3093041 A1 * 11/2016 A61M 37/0076
JP D2016-1814016 * 8/2016

OTHER PUBLICATIONS

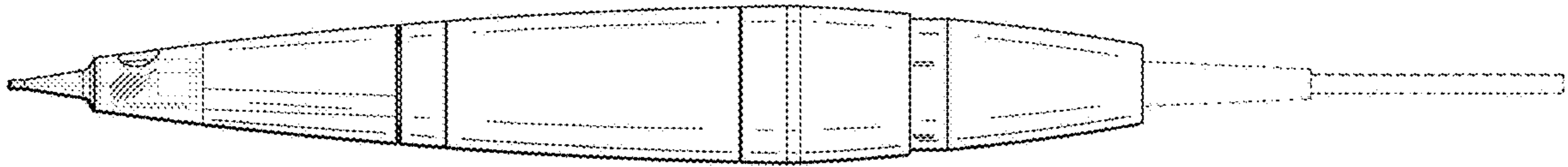
Amazon, Soul Aluminum Permanent Makeup Machines, posted Dec. 1, 2018, [online], [visited Jul. 31, 2020]. Internet, <URL: <https://www.amazon.co.uk/Soul-Aluminum-Permanent-Professional-Recommended/dp/B07L1WDD52/ref?th=1>> (Year: 2018).*

* cited by examiner

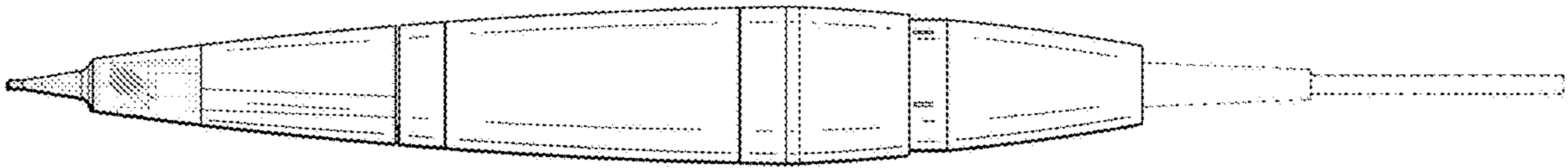
1.1



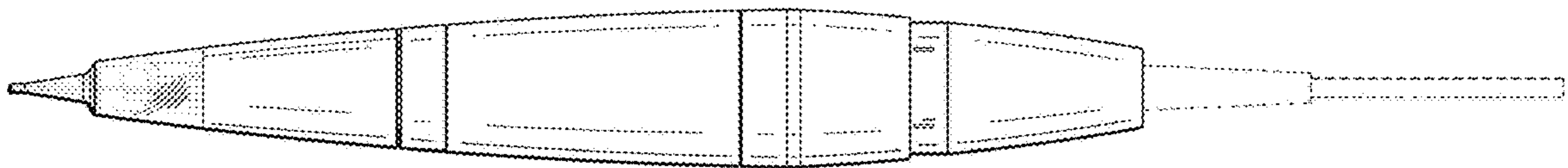
1.2



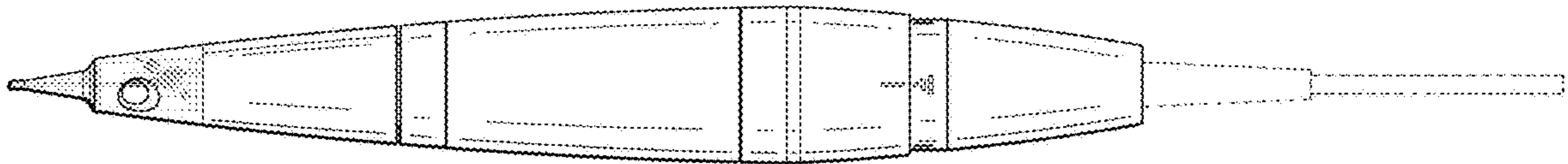
1.3



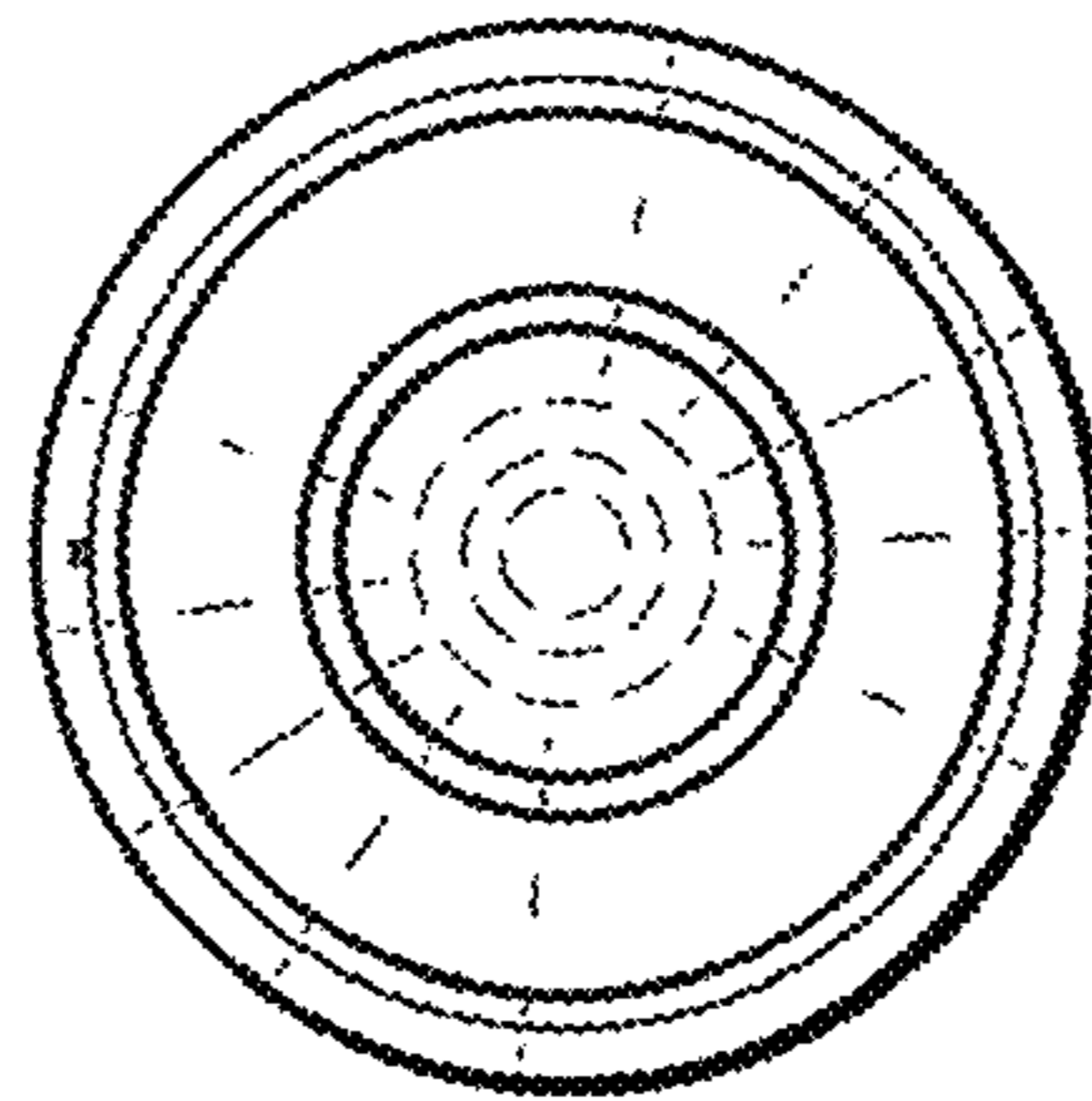
1.4



1.5



1.6



1.7

