



US00D912891S

(12) **United States Design Patent** (10) **Patent No.:** **US D912,891 S**
Vennemeyer et al. (45) **Date of Patent:** **** Mar. 9, 2021**

(54) **COSMETIC APPLICATOR**
(71) Applicant: **The Procter & Gamble Company**,
Cincinnati, OH (US)
(72) Inventors: **Marilyn Anne Vennemeyer**, Cincinnati,
OH (US); **James Douglas Still**, Cleves,
OH (US); **William Dale Murdock**,
Cheviot, OH (US); **Mikah Coffindaffer**,
Mason, OH (US); **Kendrick Jon**
Hughes, Cincinnati, OH (US);
Christopher Paul Turner, Parker, CO
(US)

D457,986 S * 5/2002 Rodriguez D28/78
D496,495 S * 9/2004 Jeffers D28/73
D503,831 S * 4/2005 Ames D28/78
7,156,885 B2 1/2007 Kennedy
D599,958 S * 9/2009 Washington D28/82
D609,009 S * 2/2010 Schaal D3/294
8,091,559 B2 1/2012 Lund
8,132,570 B2 3/2012 Glenn, Jr.
8,132,574 B2 3/2012 Baker
8,186,363 B2 5/2012 Smith
D663,943 S * 7/2012 Walsh D3/203.1
8,353,304 B2 1/2013 Smith

(Continued)

(73) Assignee: **The Procter and Gamble Company**,
Cincinnati, OH (US)

OTHER PUBLICATIONS
All final and non-final office actions for U.S. Appl. No. 29/488,686.
(Continued)

(**) Term: **15 Years**

Primary Examiner — April Rivas

(21) Appl. No.: **29/667,072**

(74) *Attorney, Agent, or Firm* — Linda M. Sivik

(22) Filed: **Oct. 18, 2018**

(57) **CLAIM**

(51) **LOC (13) Cl.** **28-03**

The ornamental design for a cosmetic applicator, as shown
and described.

(52) **U.S. Cl.**

USPC **D28/7; D28/82**

(58) **Field of Classification Search**

DESCRIPTION

USPC D3/201, 203.1, 203.2, 273, 276, 294,
D3/295, 298, 302, 318, 901, 902, 903;
D9/772, 425, 723; D28/82, 7, 76, 78
CPC A45C 5/00; A45C 11/16; A45C 11/24;
A45C 2200/05; A45C 2200/10; B65D
50/04; A45D 19/0008; A45D 2019/0091
See application file for complete search history.

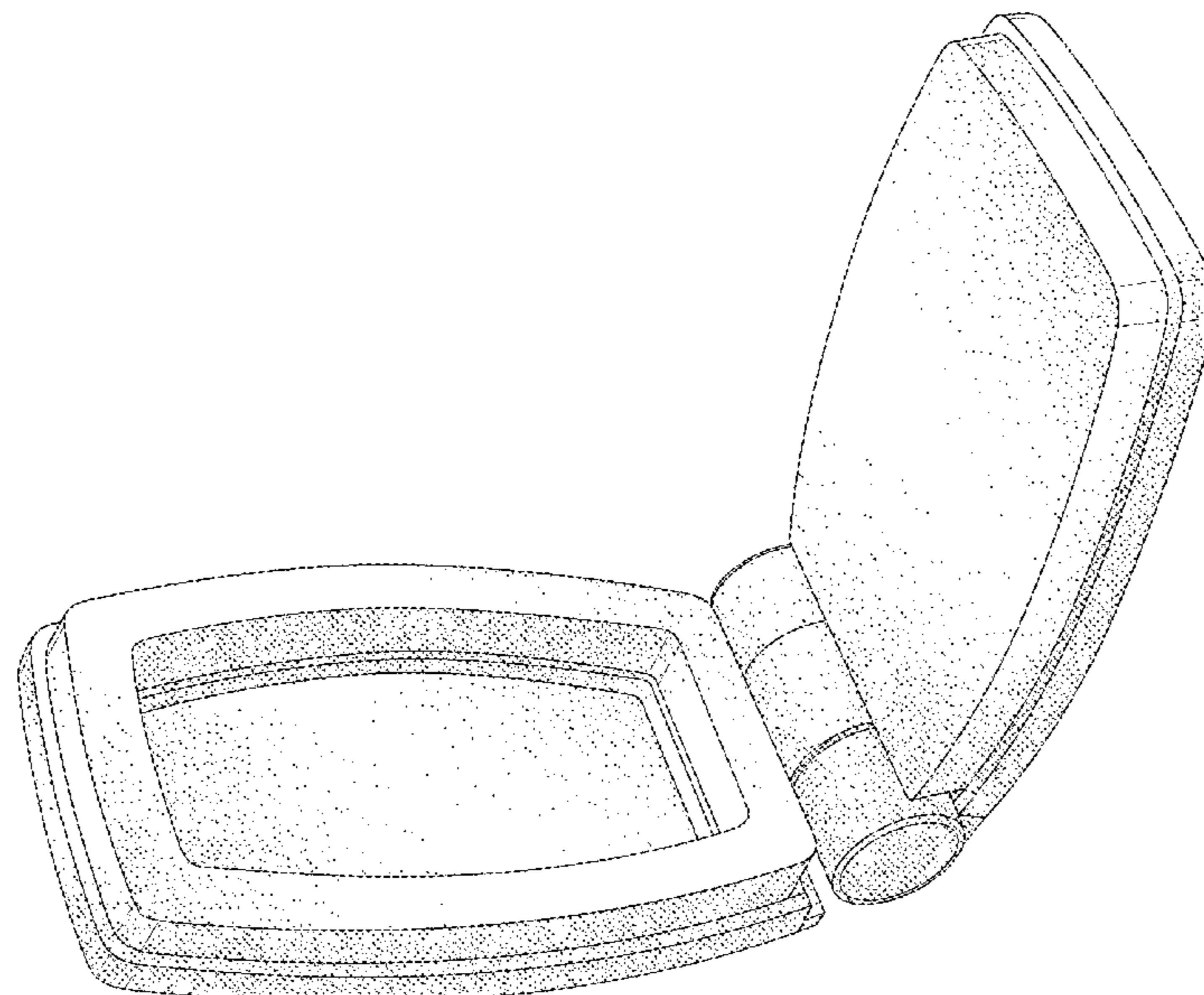
FIG. 1 is a perspective view of a cosmetic applicator,
embodying our new design;
FIG. 2 is a front view of the cosmetic applicator of FIG. 1;
FIG. 3 is a first side view of the cosmetic applicator of FIG.
1;
FIG. 4 is a back view of the cosmetic applicator of FIG. 1;
FIG. 5 is a second side view of the cosmetic applicator of
FIG. 1;
FIG. 6 is a top view of the cosmetic applicator of FIG. 1;
and,
FIG. 7 is a bottom view of the cosmetic applicator of FIG.
1.

(56) **References Cited**

U.S. PATENT DOCUMENTS

D350,836 S * 9/1994 Chevassus D28/76
5,715,688 A 2/1998 Jones, III
6,241,978 B1 6/2001 Schlaeger
D455,235 S * 4/2002 Braaten D28/78

1 Claim, 3 Drawing Sheets



(56)

References Cited

U.S. PATENT DOCUMENTS

8,418,882	B2	4/2013	Stern	
8,499,770	B2	8/2013	Smith	
8,505,554	B2	8/2013	Smith	
8,550,095	B2	10/2013	Glenn, Jr.	
8,573,232	B2	11/2013	Glenn, Jr.	
8,701,683	B2	4/2014	Glenn, Jr.	
D705,987	S *	5/2014	Scott	D28/7
8,826,920	B2	9/2014	Baker	
8,826,921	B2	9/2014	Smith	
8,997,760	B2	4/2015	Glenn, Jr.	
D744,698	S *	12/2015	Kalyanpur	D28/82
D782,110	S *	3/2017	Coffindaffer	D28/64.6
D848,059	S *	5/2019	Vennemeyer	D28/7
D869,273	S *	12/2019	Kim	D9/449
2003/0010351	A1	1/2003	De Laforcade	
2006/0207036	A1	9/2006	Kennedy	
2008/0087293	A1	4/2008	Glenn	
2009/0223531	A1 *	9/2009	Lund	A45D 19/0008 132/208
2010/0101595	A1	4/2010	Glenn, Jr.	
2013/0153461	A1	6/2013	Hein	
2014/0026918	A1	1/2014	Glenn, Jr.	
2014/0048095	A1	2/2014	Curry	
2015/0296953	A1 *	10/2015	Murdock	A45D 19/0008 132/203

OTHER PUBLICATIONS

All final and non-final office actions for U.S. Appl. No. 29/567,379.

All final and non-final office actions for U.S. Appl. No. 29/731,976.

All final and non-final office actions for U.S. Appl. No. 29/731,978.

* cited by examiner

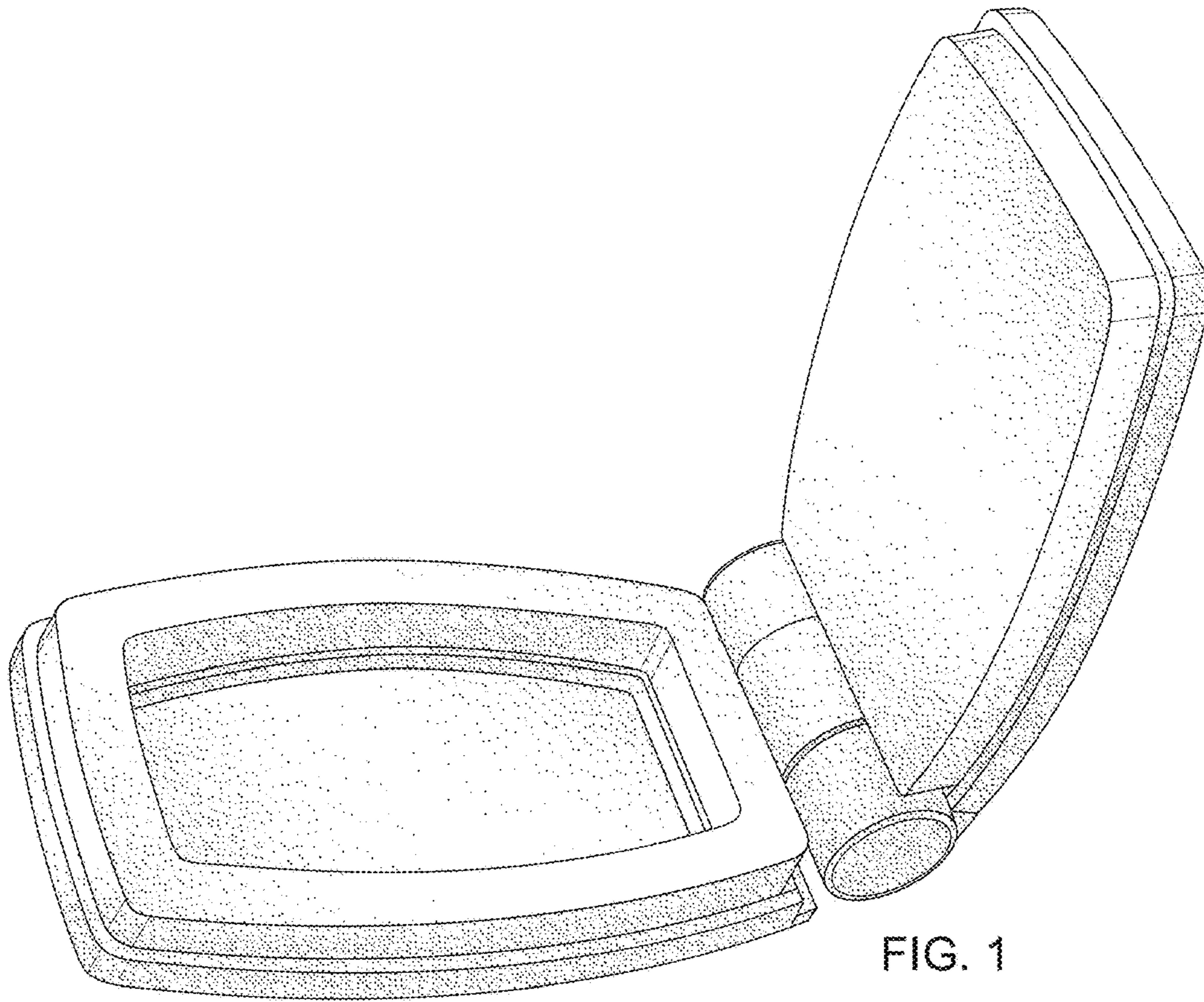


FIG. 1

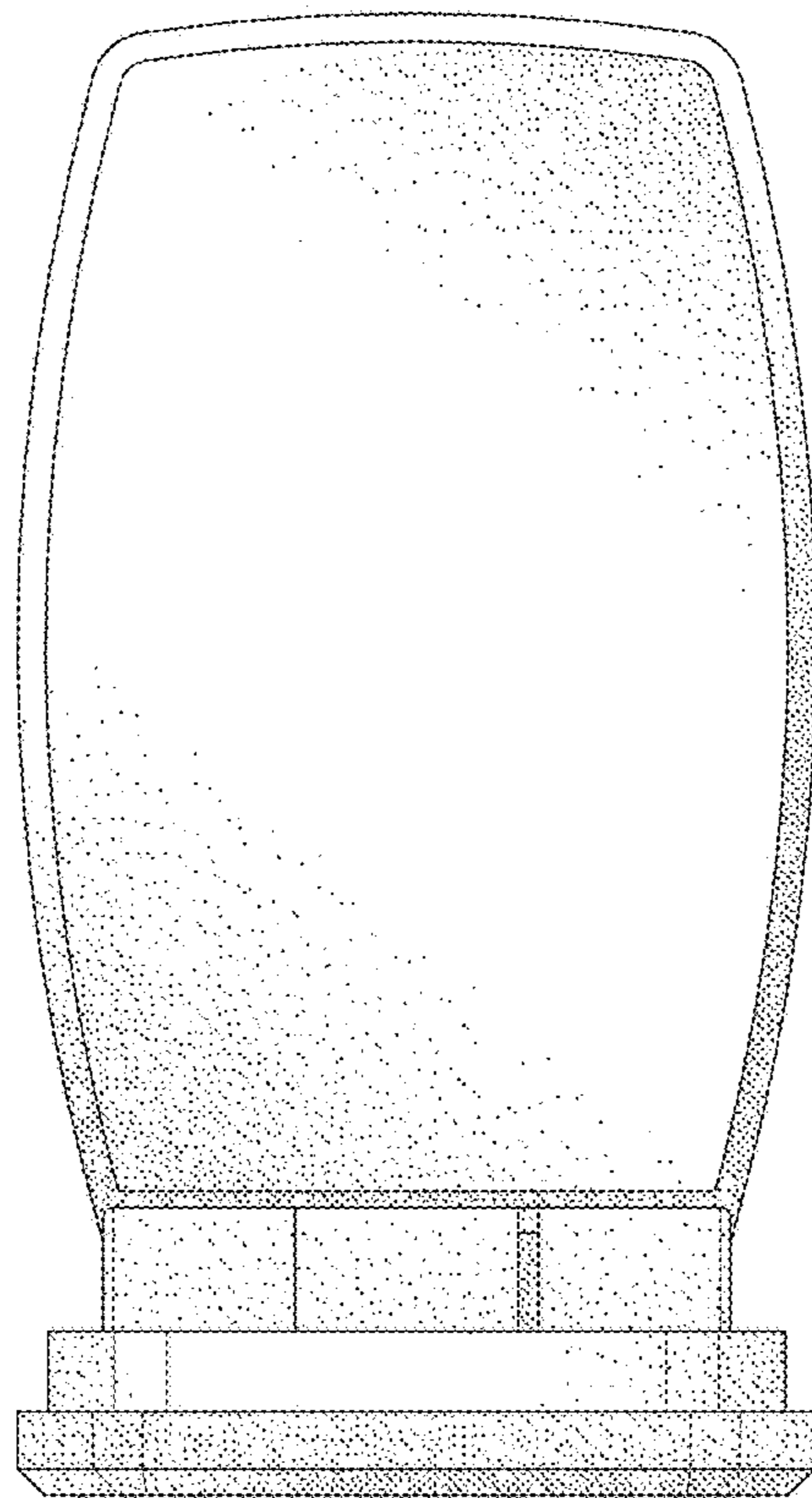


FIG. 2

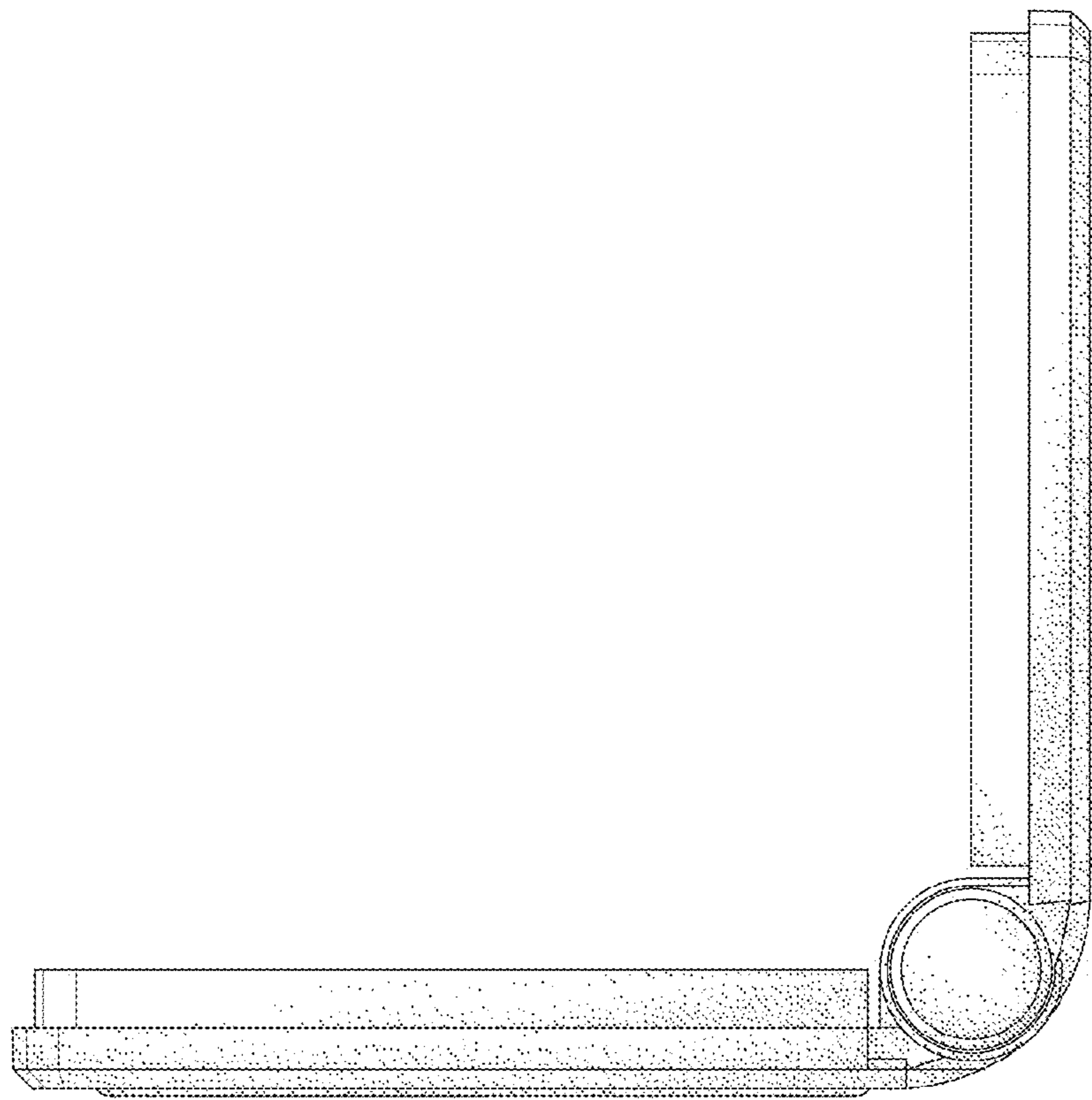


FIG. 3

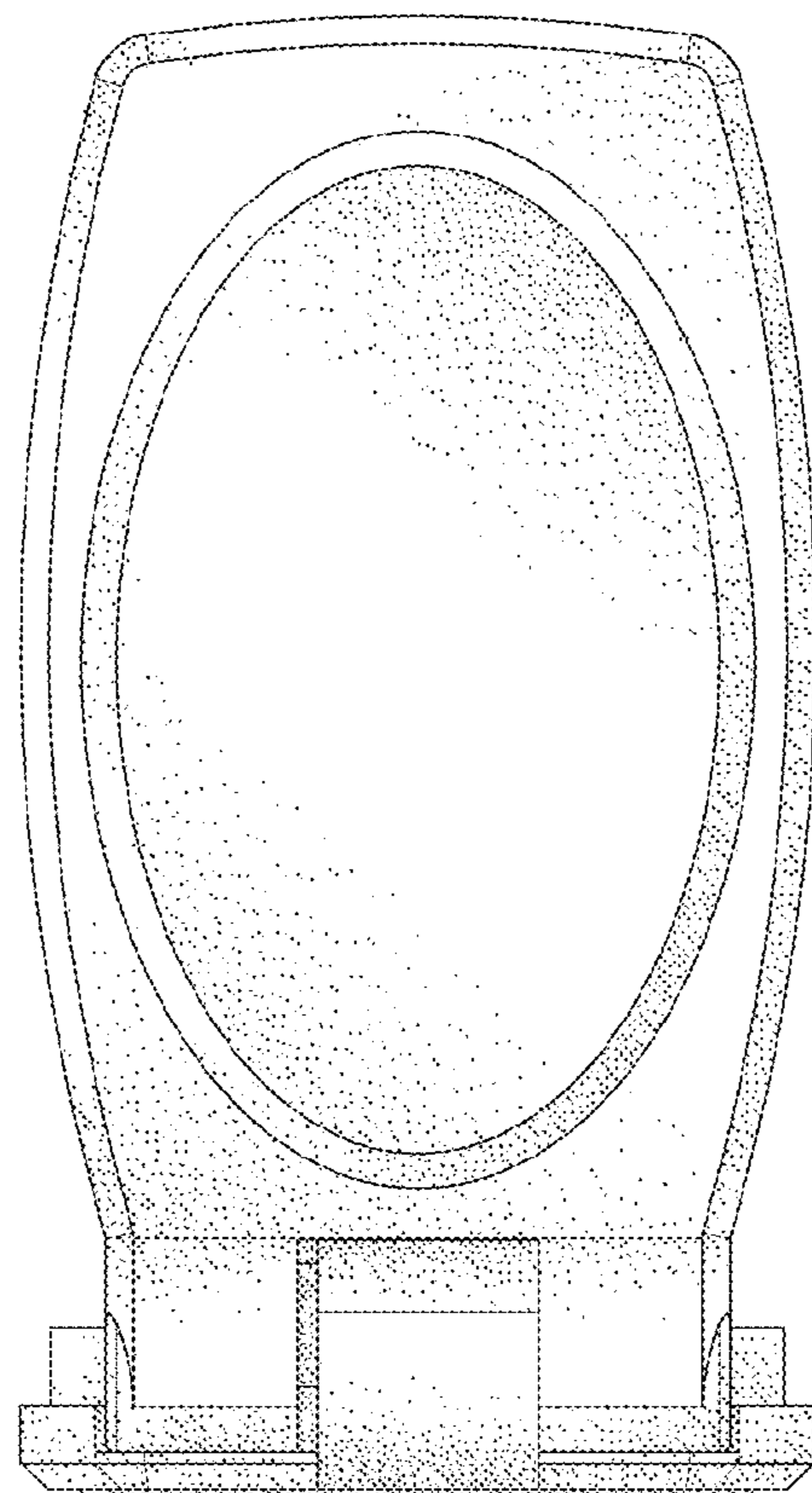


FIG. 4

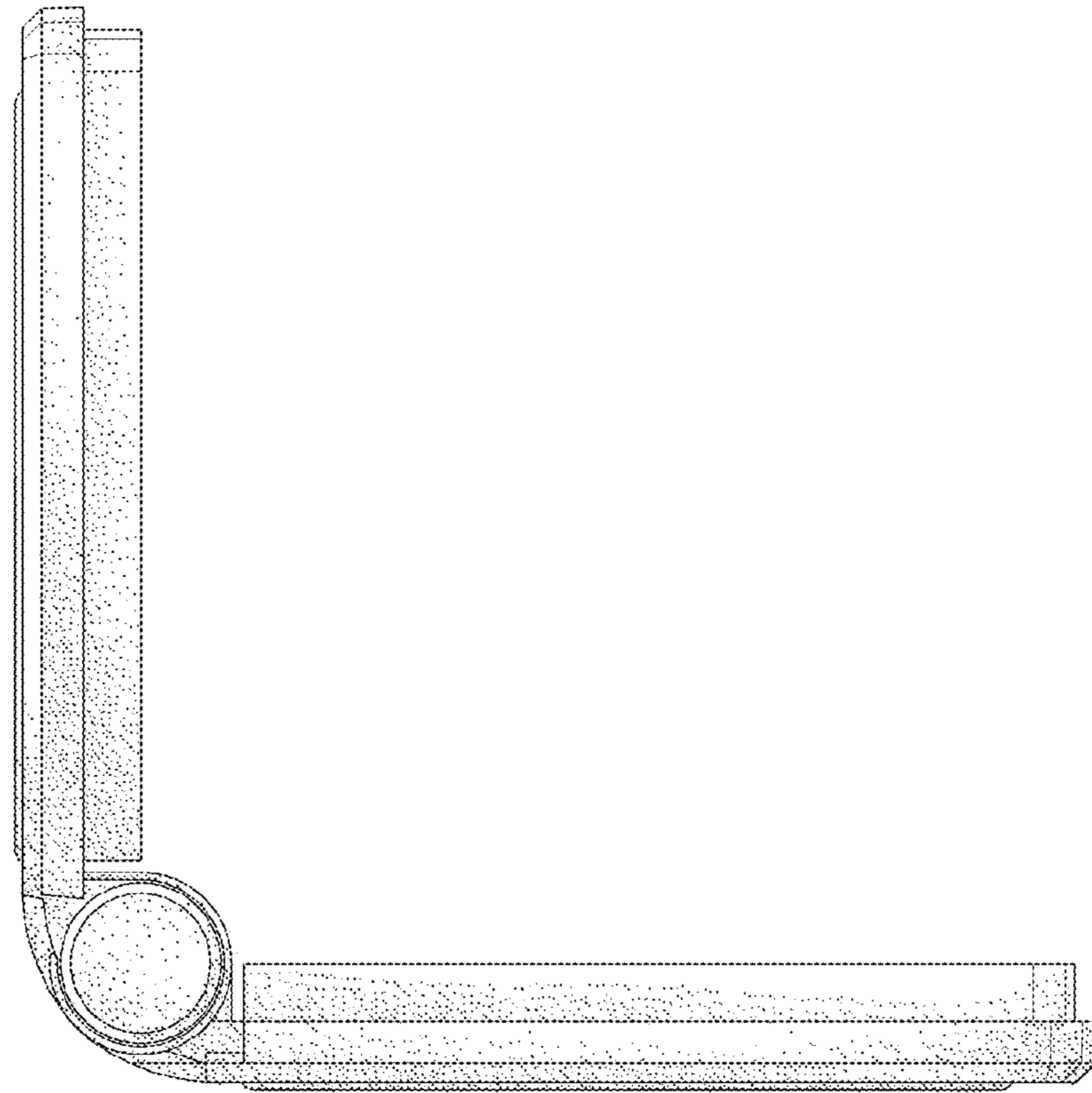


FIG. 5

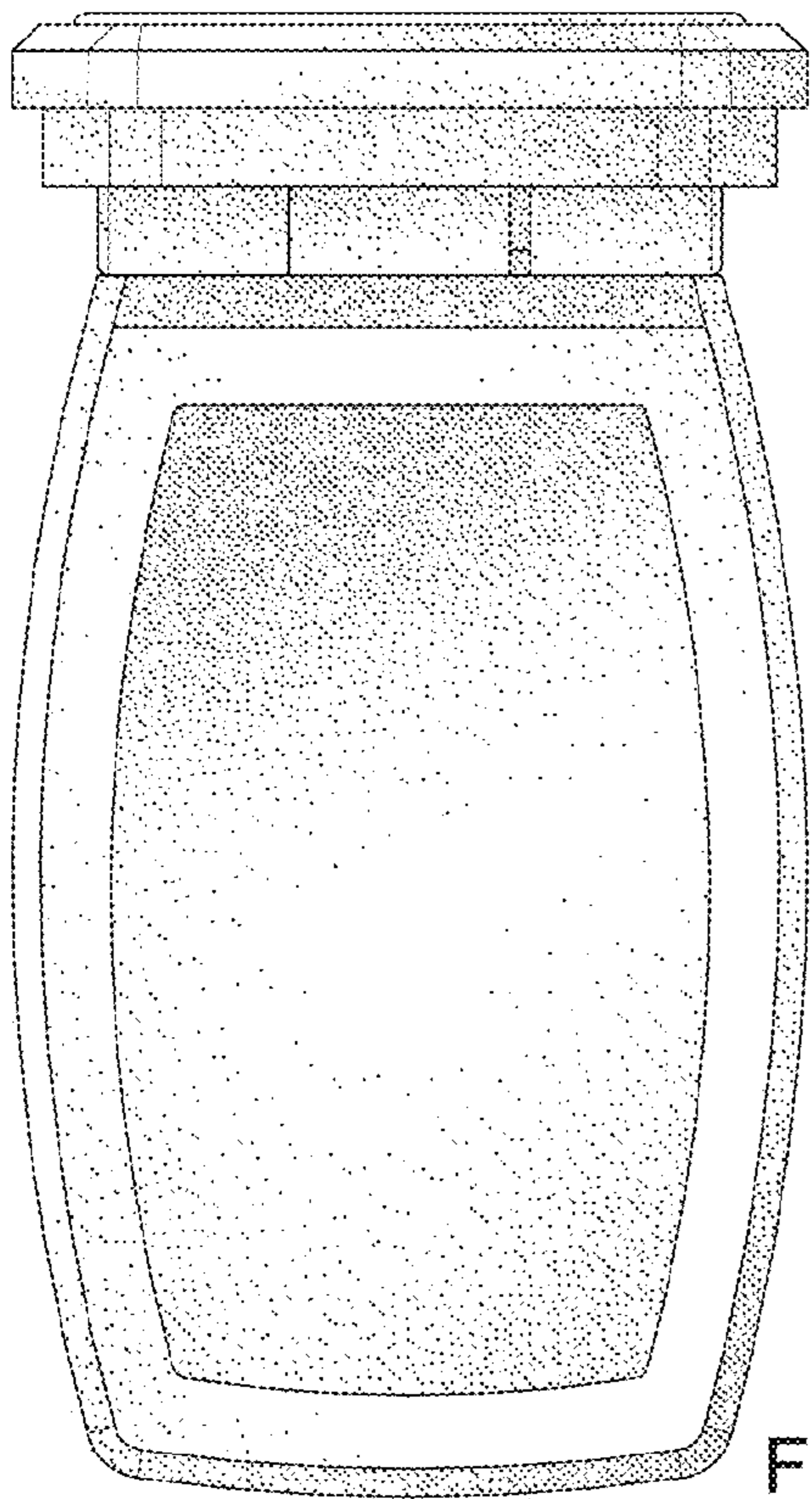


FIG. 6

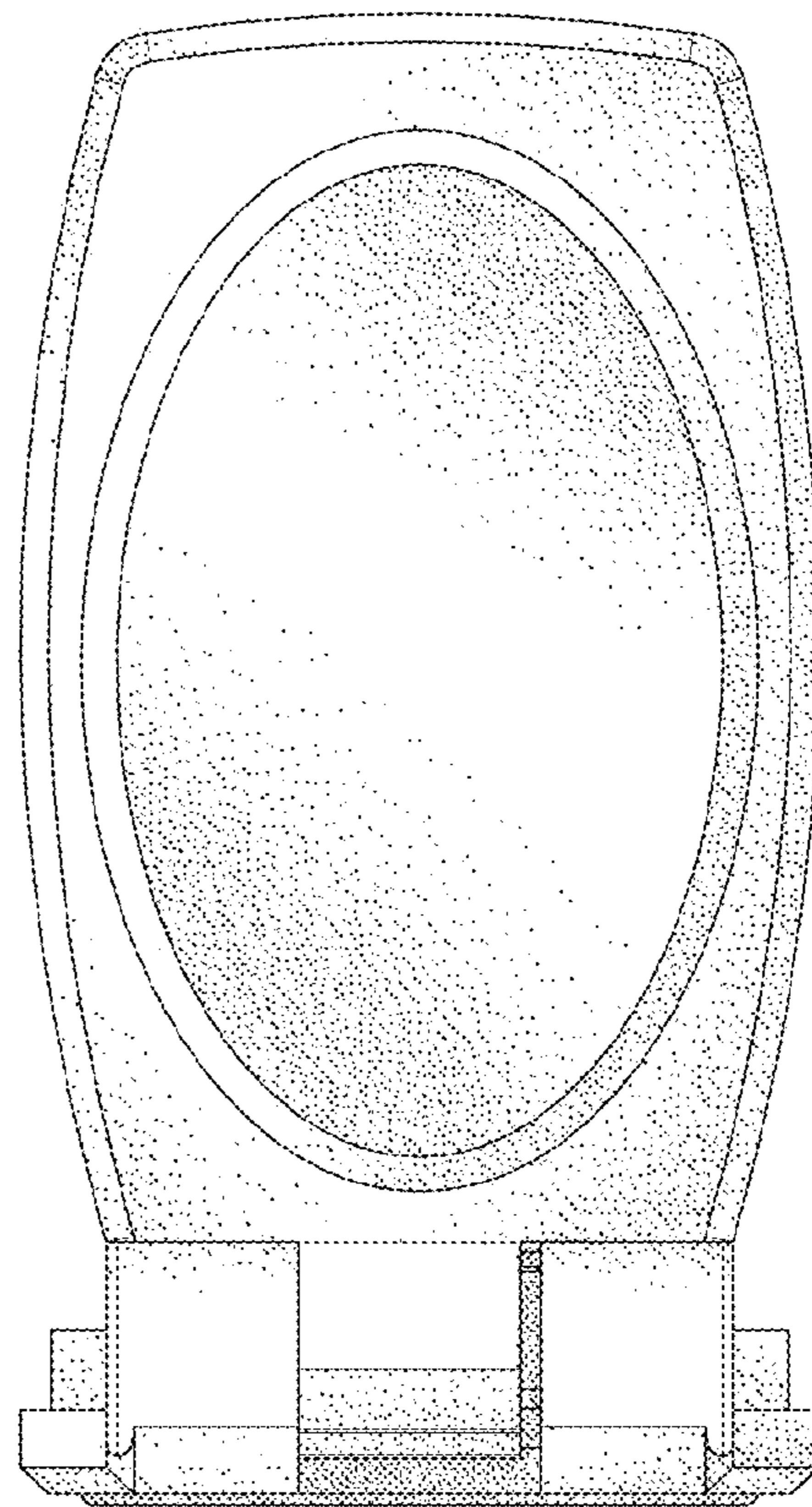


FIG. 7