



US00D912888S

(12) **United States Design Patent** (10) **Patent No.:** **US D912,888 S**
Wang (45) **Date of Patent:** **** Mar. 9, 2021**

(54) **ELECTRONIC CIGARETTE**
(71) Applicant: **Shenzhen Smoore Technology Limited**, Guandong (CN)
(72) Inventor: **Jianliang Wang**, Shenzhen (CN)
(73) Assignee: **SHENZHEN SMOORE TECHNOLOGY LIMITED**, Shenzhen (CN)

11/044; A61M 15/0021; A61M 15/0041; A61M 15/0065; A61M 15/0085; A61M 2016/0024; A61M 2202/0007; A61M 2205/3334; A61M 2205/584; A61M 2205/587; A61M 2205/8256; A61M 2206/16; A61M 11/003; A61M 11/047; A61M 11/06; A61M
(Continued)

(**) Term: **15 Years**

(21) Appl. No.: **29/706,608**

(22) Filed: **Sep. 21, 2019**

(30) **Foreign Application Priority Data**

Apr. 11, 2019 (CN) 201930163626.8

(51) **LOC (13) Cl.** **27-02**

(52) **U.S. Cl.**
USPC **D27/162**

(58) **Field of Classification Search**
USPC D27/100, 101, 162, 163, 164, 165, 166, D27/167, 168, 169, 183, 184, 185; D24/110

CPC A24F 47/008; A24F 40/10; A24F 40/42; A24F 40/51; A24F 47/00; A24F 40/40; A24F 40/46; A24F 40/50; A24F 40/60; A24F 40/53; A24F 40/90; A24F 40/20; A24F 40/485; A24F 40/57; A24F 40/65; A24F 40/44; A24F 47/002; A24F 40/48; A24F 40/70; A24F 13/00; A24F 40/30; A24F 40/95; A24F 42/60; A24F 7/00; A24F 40/465; A24F 42/10; A24F 42/20; A24F 1/00; A24F 1/32; A24F 40/00; A24F 40/05; A24F 42/00; A24F 47/004; A24F 47/006; A24F 7/02; A61M 11/042; A61M 15/06; A61M 2205/8206; A61M 11/005; A61M 2202/064; A61M 2205/3653; A61M 2205/50; A61M 15/0001; A61M 15/003; A61M 15/009; A61M 16/0003; A61M 2016/0027; A61M

(56) **References Cited**

U.S. PATENT DOCUMENTS

D802,206 S * 11/2017 Huang D27/101
D872,932 S * 1/2020 Powell D27/162
(Continued)

FOREIGN PATENT DOCUMENTS

EM 006380184-0001 * 4/2019
Primary Examiner — Marissa J Cash
Assistant Examiner — William B Melliar

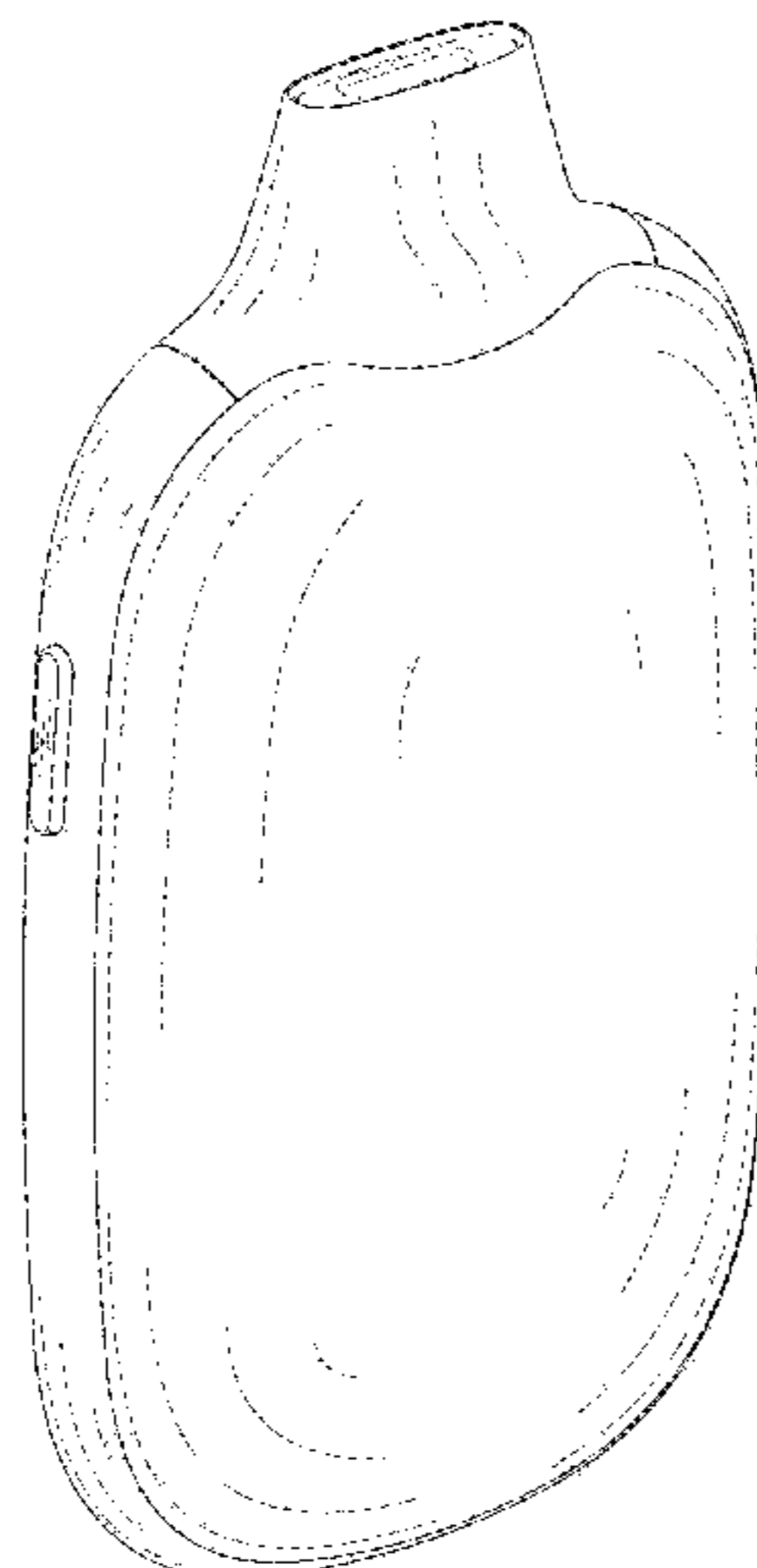
(57) **CLAIM**

The ornamental design for an electronic cigarette, as shown and described.

DESCRIPTION

FIG. 1 is a perspective view of an electronic cigarette; FIG. 2 is a front elevational view thereof; FIG. 3 is a rear elevational view thereof; FIG. 4 is a left side elevational view thereof; FIG. 5 is a right side elevational view thereof; FIG. 6 is a top plan view thereof; and, FIG. 7 is a bottom plan view thereof. The broken lines in the drawings depict portions of the electronic cigarette that form no part of the claimed design. The dot-dash-dot broken lines are for the purpose of illustrating the boundaries of the claim, and form no part of the claimed design.

1 Claim, 6 Drawing Sheets



(58) **Field of Classification Search**

CPC 15/0003; A61M 15/0028; A61M 15/0035;
A61M 15/004; A61M 2016/0015; A61M
2016/003; A61M 2021/0016; A61M
2037/0023; A61M 2037/0061; A61M
21/00; A61M 21/02; A61M 2205/0211;
A61M 2205/273; A61M 2205/3317;
A61M 2205/3331; A61M 2205/3368;
A61M 2205/3379; A61M 2205/3561;
A61M 2205/502; A61M 2205/52; A61M
2205/581; A61M 2205/582; A61M
2205/75; A61M 2205/8243; A61M
37/0015; A24B 15/167; A24B 15/16;
A24B 13/00; A24B 15/00; A24B 15/10;
A24B 15/14; A24B 15/165; A24B
15/186; A24B 15/20; A24B 15/243; A24B
15/245; A24B 15/283; A24B 15/284;
A24B 15/286; A24B 15/30; A24B 15/32;
A24B 15/34; A24B 15/403; A24D 1/20;
A24D 1/002; A24D 1/14; A24D 3/048;
A24D 1/025; A24D 1/045; A24D 3/04;
A24D 3/061; A24D 3/14; A24D 3/17

See application file for complete search history.

(56) **References Cited**

U.S. PATENT DOCUMENTS

D874,718	S	*	2/2020	Qiu	D27/162
D882,065	S	*	4/2020	Wang	D24/110
D885,652	S	*	5/2020	Ding	D27/162
D887,631	S	*	6/2020	Lai	D27/162
D890,418	S	*	7/2020	Tasselli	D27/163
2019/0000148	A1	*	1/2019	Atkins	A24F 47/008

* cited by examiner

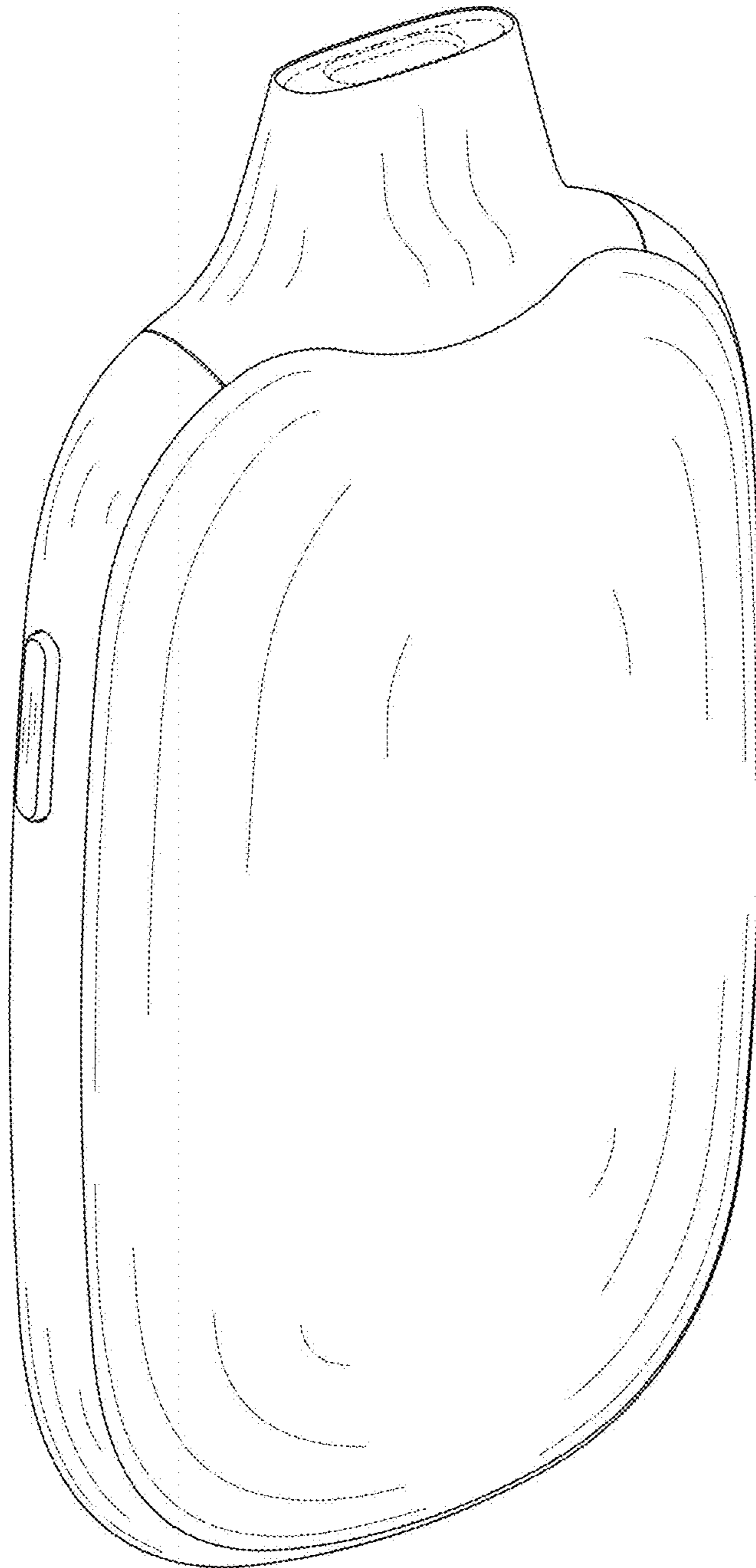


FIG. 1

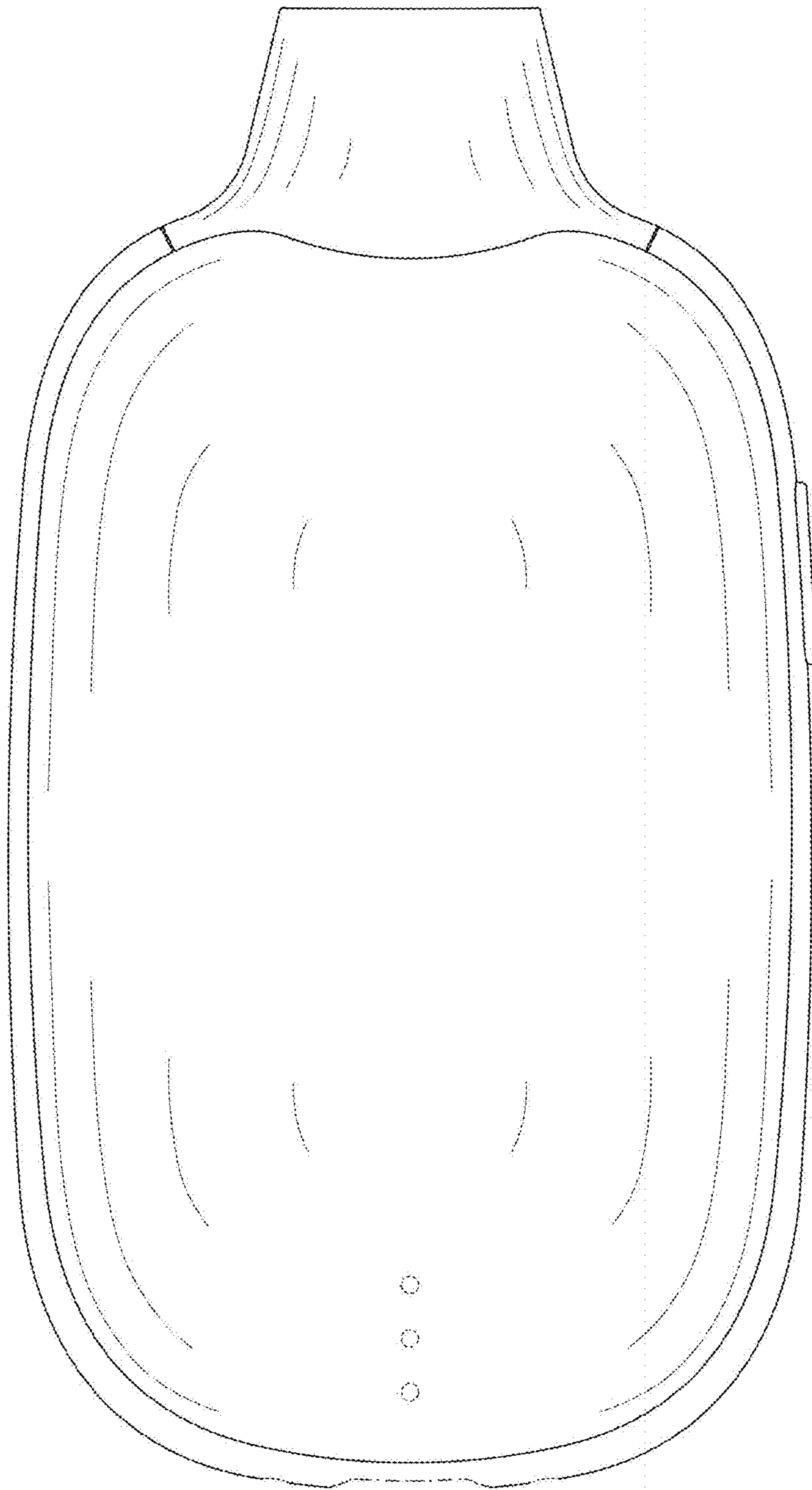


FIG. 2

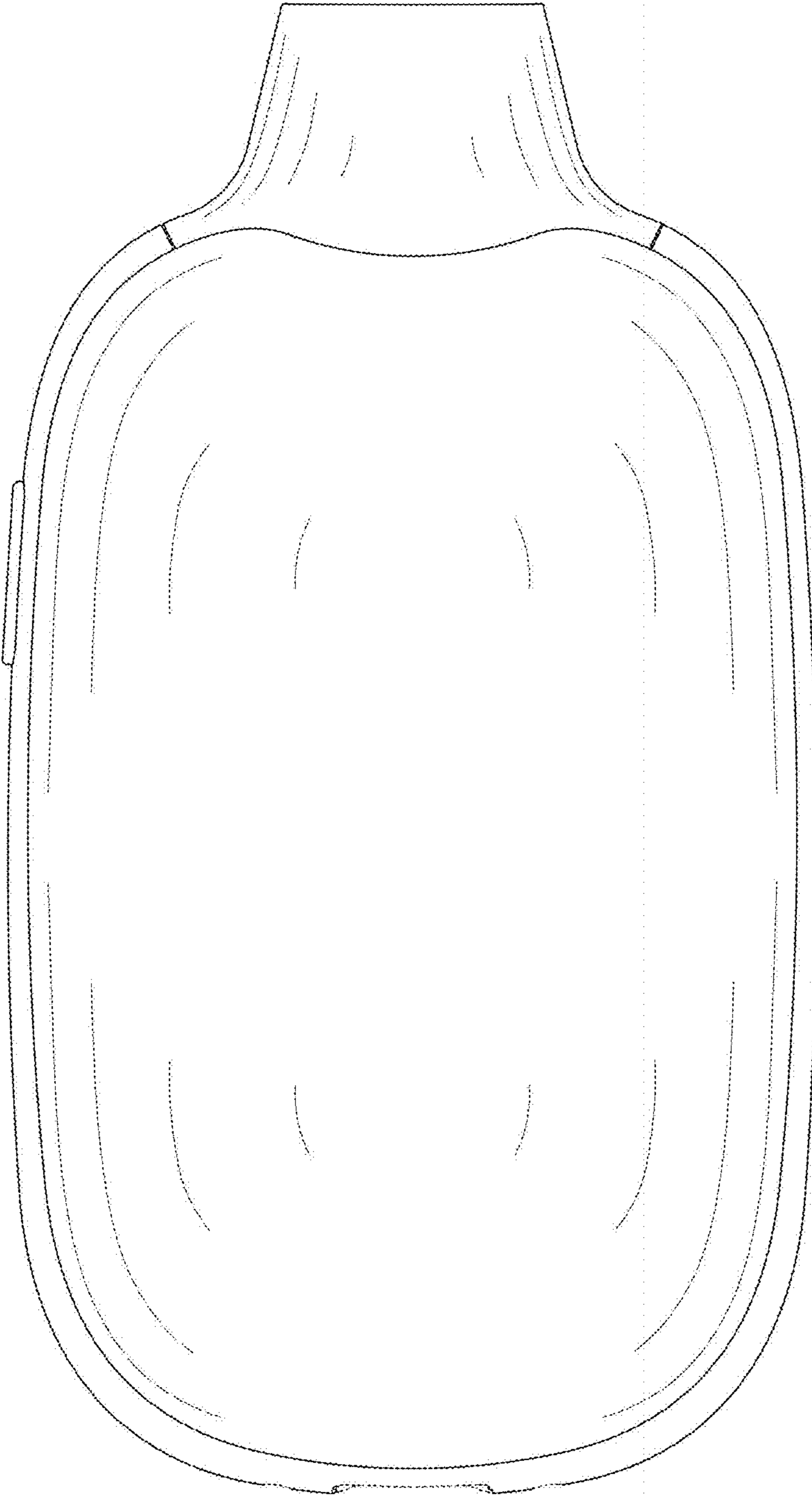


FIG. 3

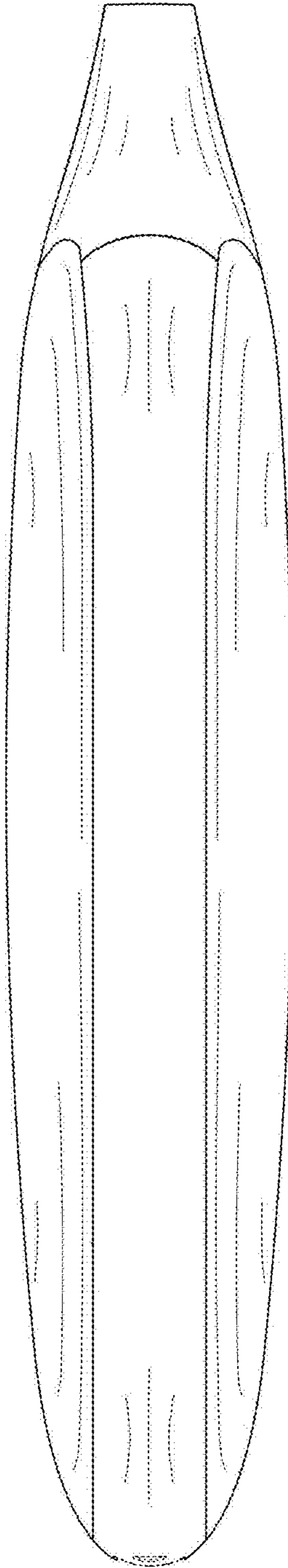


FIG. 4

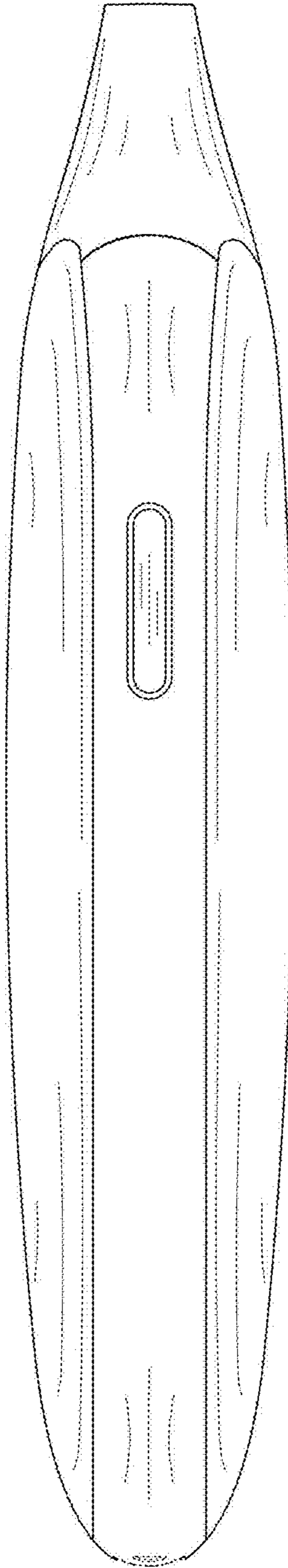


FIG. 5

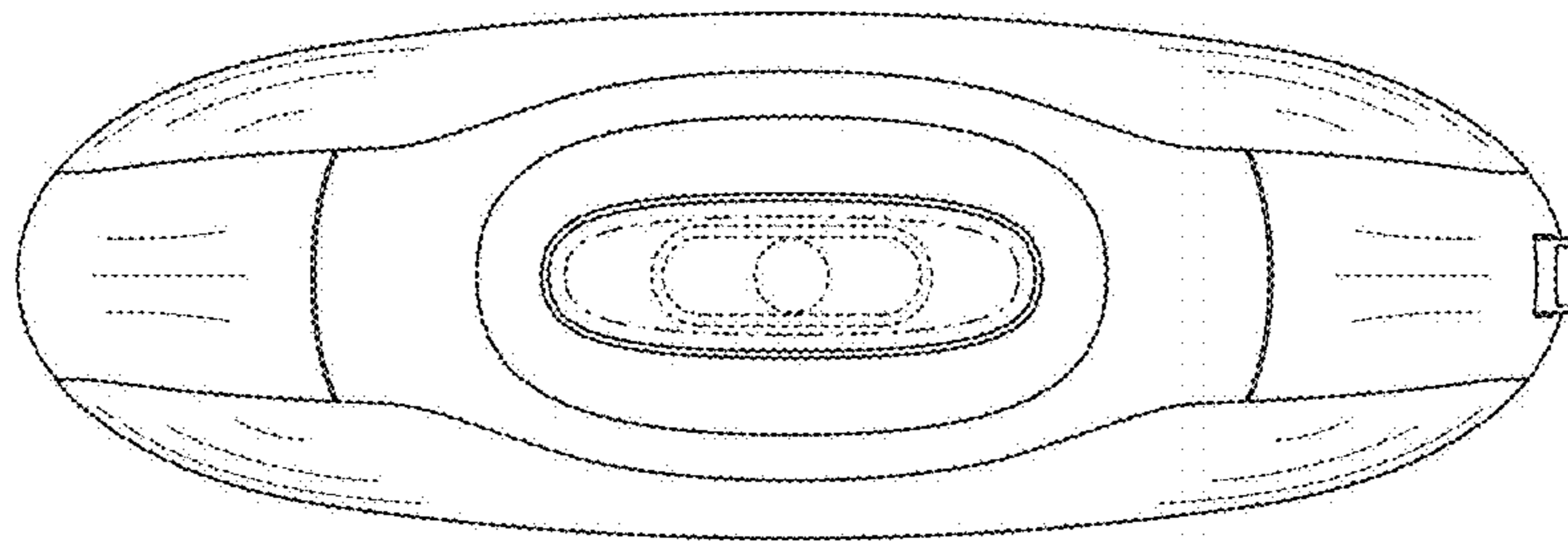


FIG. 6

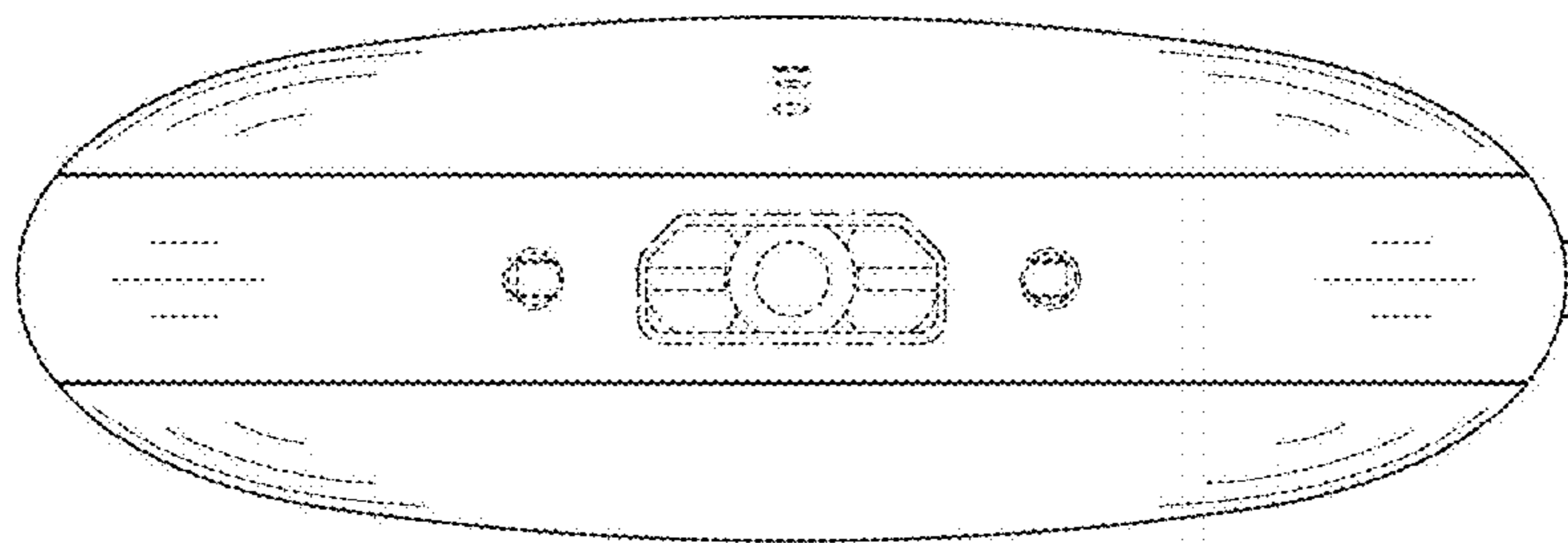


FIG. 7