



US00D912887S

(12) **United States Design Patent** (10) **Patent No.:** **US D912,887 S**
Martin (45) **Date of Patent:** **** Mar. 9, 2021**

(54) **LIGHTER**

(71) Applicant: **ST DUPONT**, Paris (FR)

(72) Inventor: **Stéphane Martin**, Paris (FR)

(**) Term: **15 Years**

(21) Appl. No.: **35/506,897**

(22) Filed: **Jan. 29, 2019**

(80) **Hague Agreement Data**

Int. Filing Date: **Jan. 29, 2019**

Int. Reg. No.: **DM/201334**

Int. Reg. Date: **Jan. 29, 2019**

Int. Reg. Pub. Date: **Jun. 14, 2019**

(51) **LOC (13) Cl.** **27-05**

(52) **U.S. Cl.**
USPC **D27/141**

(58) **Field of Classification Search**
USPC D27/141, 144, 154–155, 159, 161, 162,
D27/164, 167, 172–193, 194
CPC A24F 47/00; A24F 47/008; H05B 3/03;
A61M 16/108; A61M 16/10

See application file for complete search history.

(56) **References Cited**

U.S. PATENT DOCUMENTS

D760,428 S * 6/2016 Rahbar D27/141
D822,897 S * 7/2018 Almsberger D27/141
D860,518 S * 9/2019 Pan D27/141
D867,655 S * 11/2019 Chen D27/157
D868,365 S * 11/2019 Kassir D27/157

* cited by examiner

Primary Examiner — Khawaja Anwar

(57) **CLAIM**

The ornamental design for a lighter, as shown and described.

DESCRIPTION

1. Lighter

Figure 1.1. is a front view in a closed position;

Figure 1.2 is a rear view in a closed position;

Figure 1.3 is a right side view;

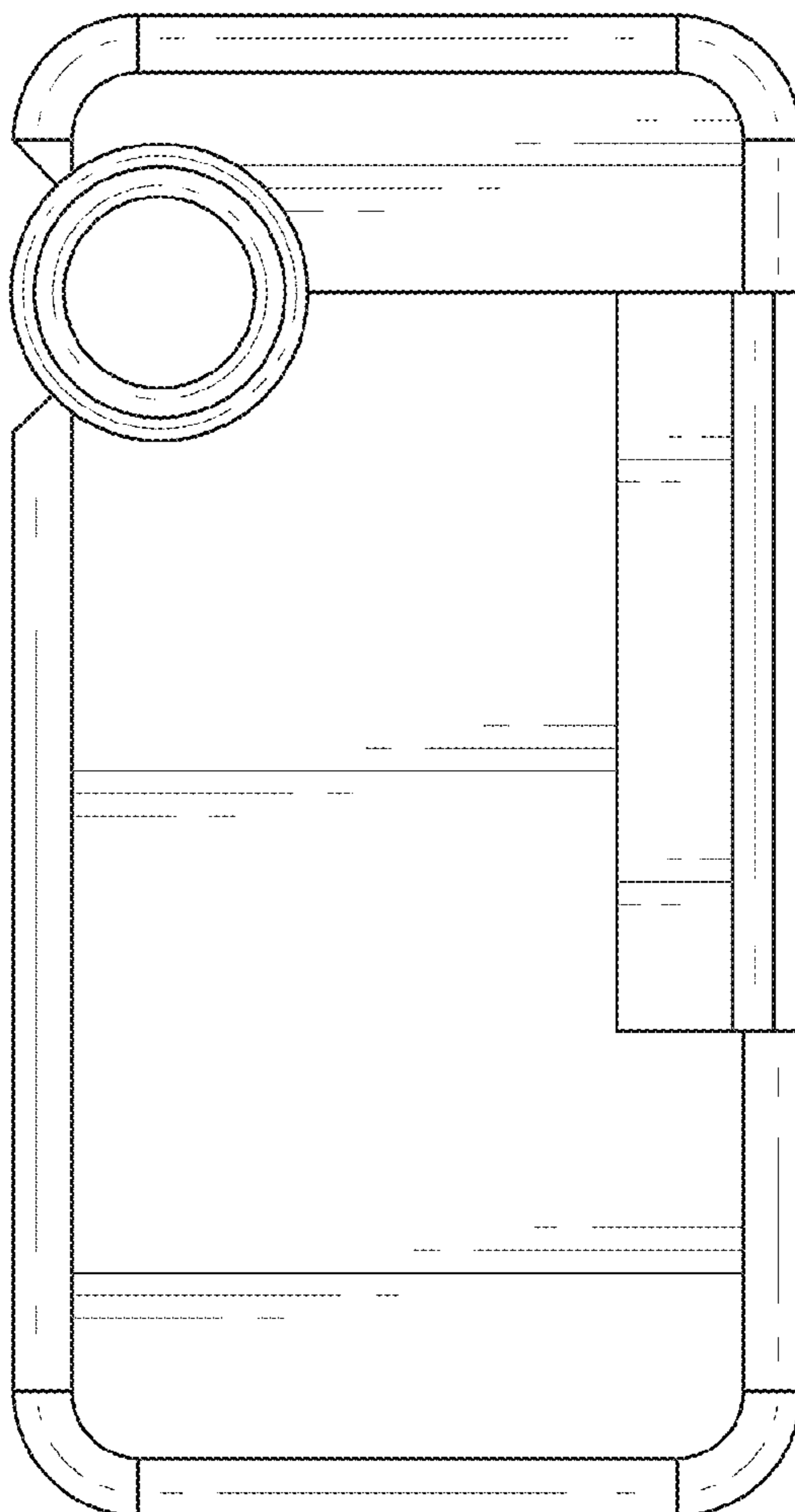
Figure 1.4 is a left side view;

Figure 1.5 is a top view;

Figure 1.6 is a bottom view; and

Figure 1.7 is a front view in an opened position.

1 Claim, 7 Drawing Sheets



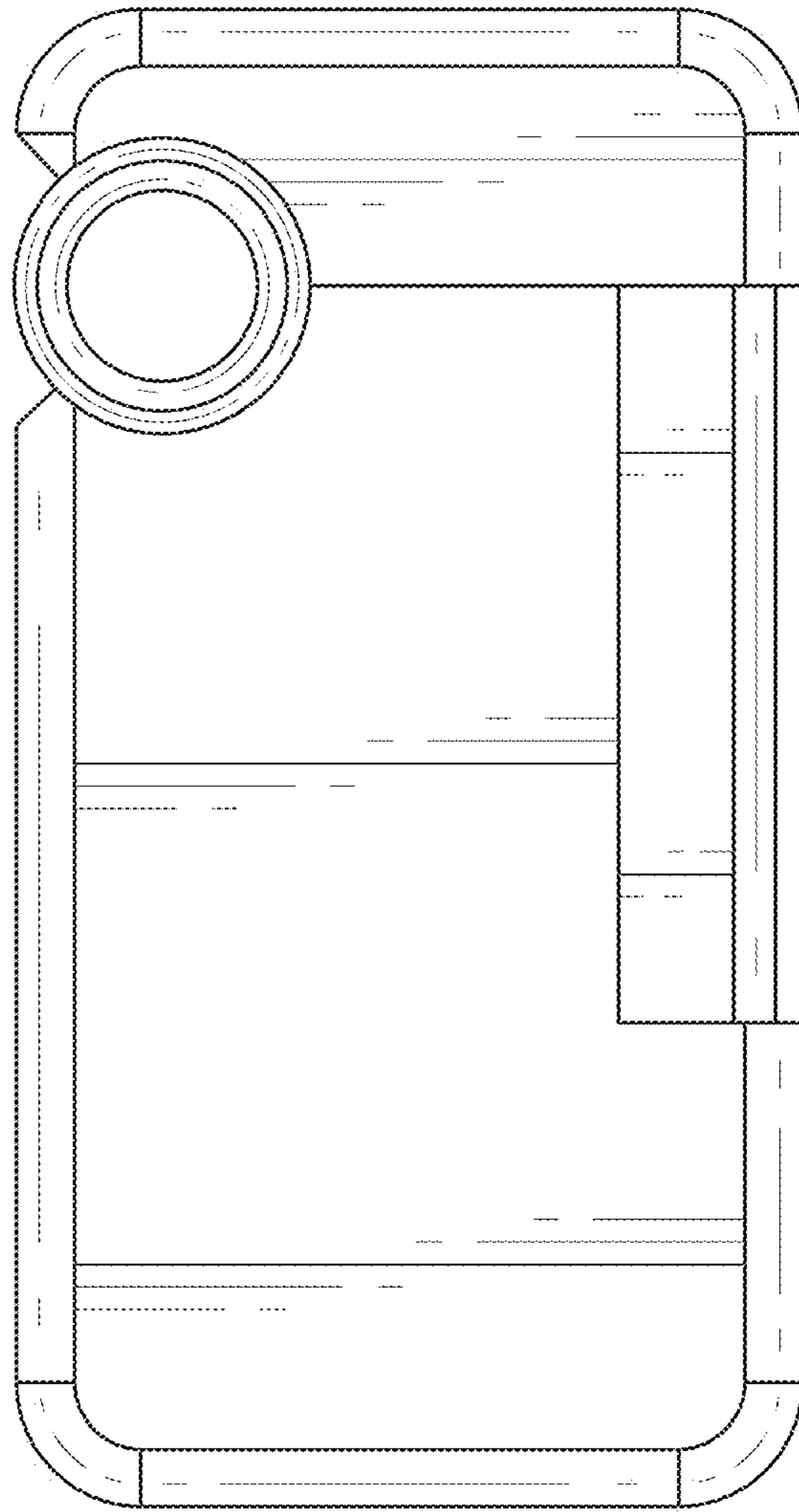


FIG. 1.1

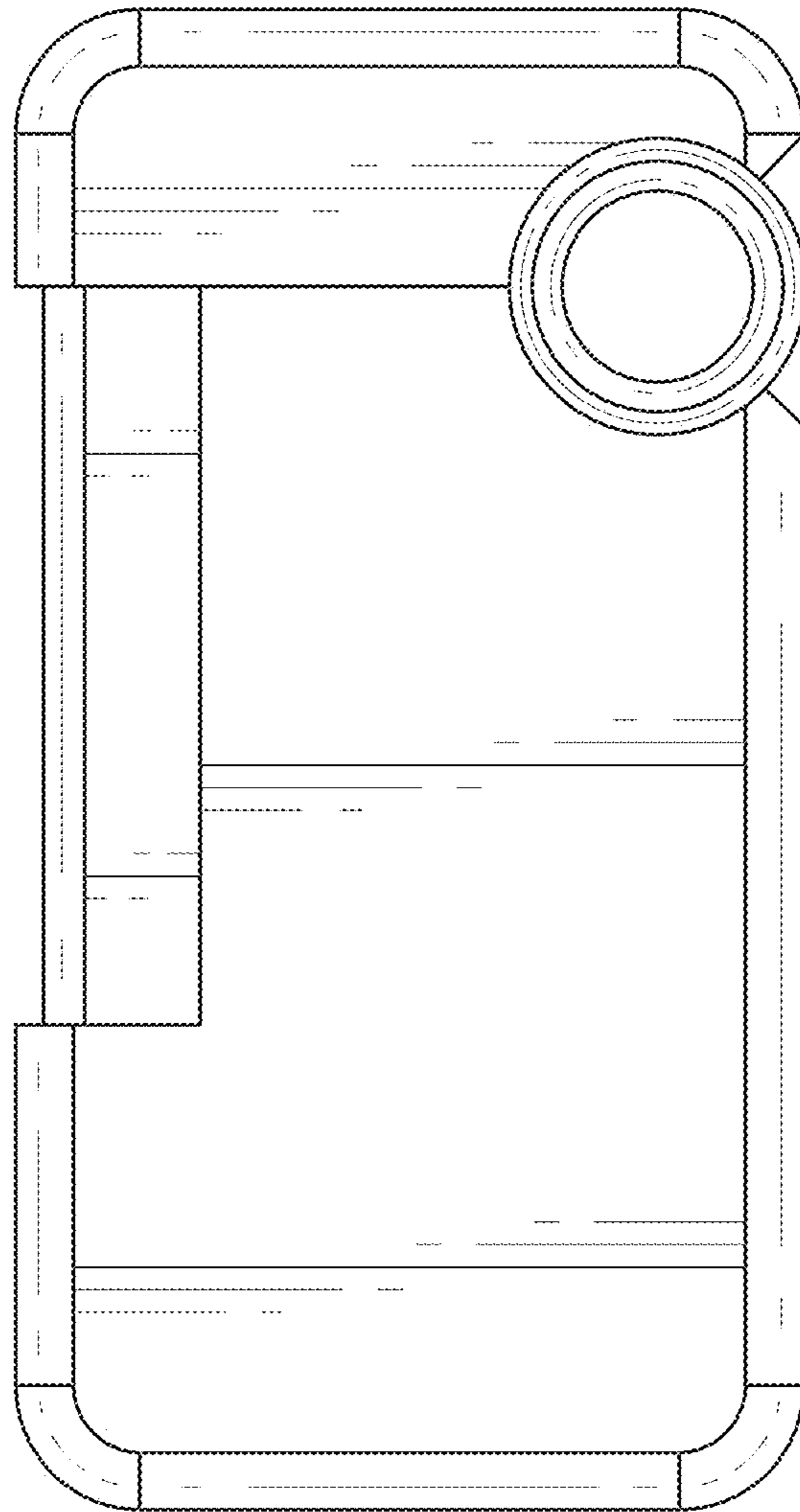
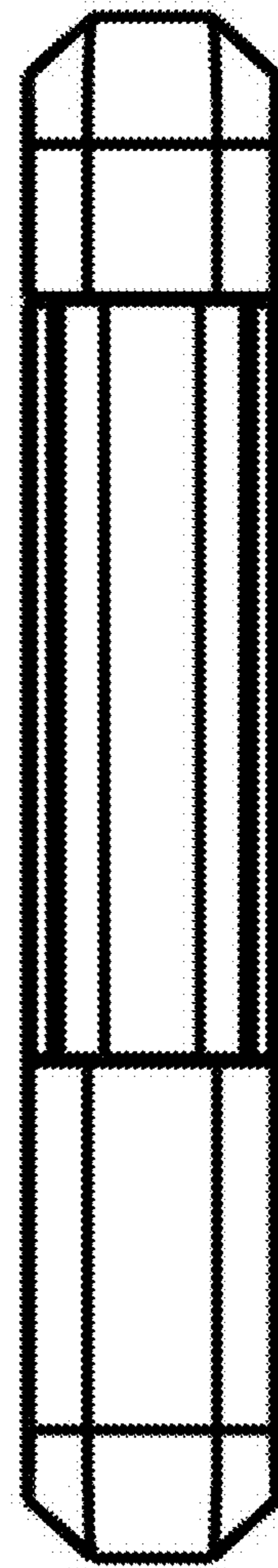


FIG. 1.2

1.3



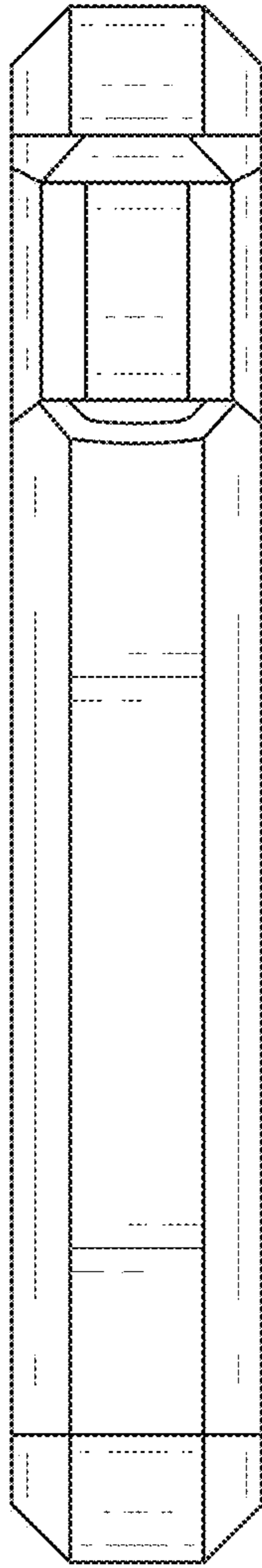


FIG. 1.4

1.5



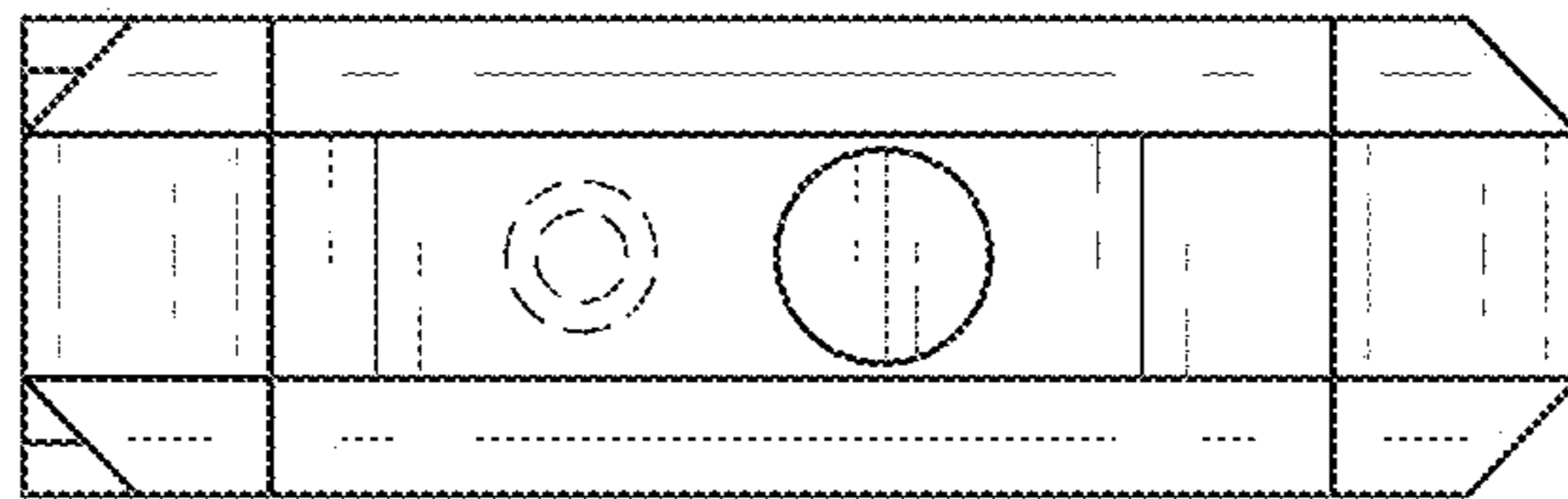


FIG. 1.6

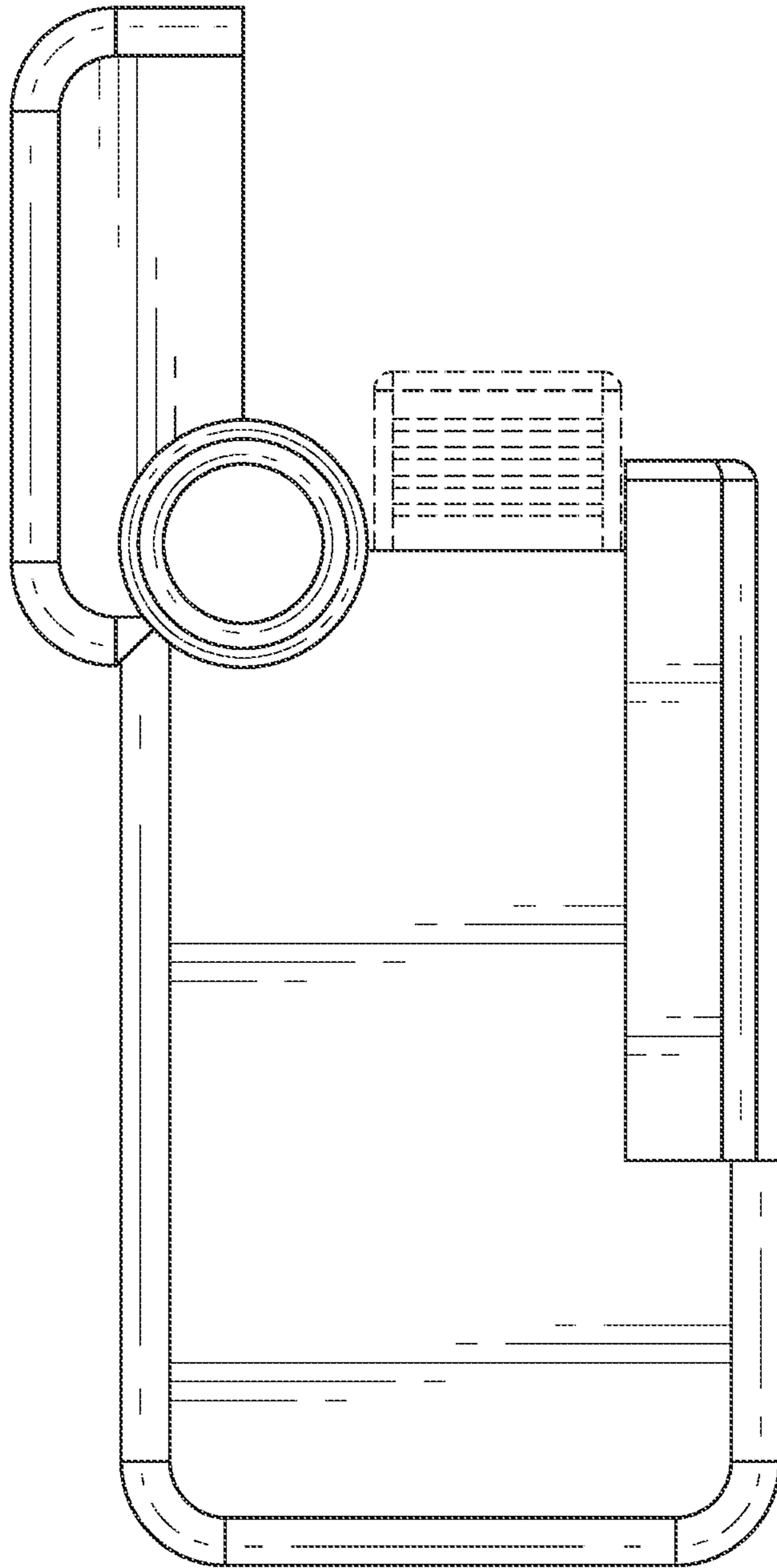


FIG. 1.7