



US00D912883S

(12) **United States Design Patent**
Zheng et al.

(10) **Patent No.:** **US D912,883 S**
(45) **Date of Patent:** **** Mar. 9, 2021**

(54) **MUSIC STARRY LIGHT**
(71) Applicant: **Shenzhen Skoe Technology Co., Ltd.**,
Shenzhen (CN)
(72) Inventors: **Caijian Zheng**, Shenzhen (CN);
Wenzhen Ouyang, Shenzhen (CN)

D852,989 S 7/2019 Yao
D875,994 S * 2/2020 Yu D26/104
D885,643 S * 5/2020 Chen D26/106
D889,022 S * 6/2020 Zhang D26/106
D891,682 S * 7/2020 Wei D26/93
D898,271 S * 10/2020 Zheng D26/110
D907,280 S * 1/2021 Zeng D26/104

* cited by examiner

(**) Term: **15 Years**

Primary Examiner — Brian N. Vinson
(74) *Attorney, Agent, or Firm* — ZANIP

(21) Appl. No.: **29/741,173**

(57) **CLAIM**

(22) Filed: **Jul. 10, 2020**

The ornamental design for a music starry light, as shown and described.

(51) **LOC (13) Cl.** **26-03**

(52) **U.S. Cl.**
USPC **D26/110**

DESCRIPTION

(58) **Field of Classification Search**
USPC D26/93, 104, 106, 110, 112
CPC F21V 3/00; F21V 5/007; F21W 2121/00;
F21W 2131/30; F21S 6/00; F21S 10/00;
F21S 10/06

FIG. 1 is a front and top perspective view of a music starry light, showing our new design;
FIG. 2 is a rear and bottom perspective view thereof;
FIG. 3 is a front elevational view thereof;
FIG. 4 is a rear elevational view thereof;
FIG. 5 is a left side elevational view thereof;
FIG. 6 is a right side elevational view thereof;
FIG. 7 is a top plan view thereof; and,
FIG. 8 is a bottom plan view thereof.

See application file for complete search history.

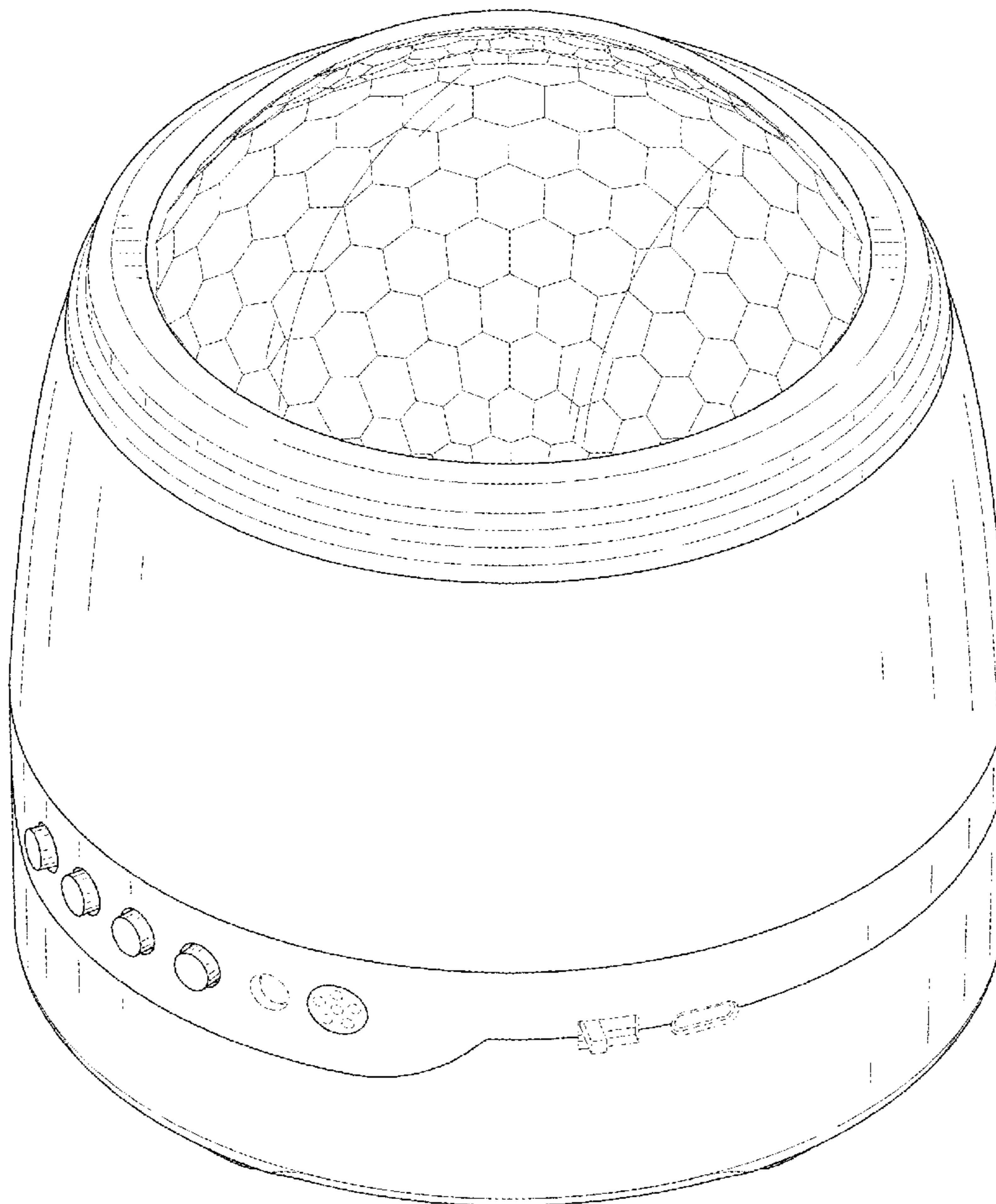
The broken lines in the figures illustrate portions of the article that form no part of the claimed design.

(56) **References Cited**

U.S. PATENT DOCUMENTS

D689,221 S * 9/2013 Isaac D26/110
D814,686 S * 4/2018 Chen D26/110

1 Claim, 8 Drawing Sheets



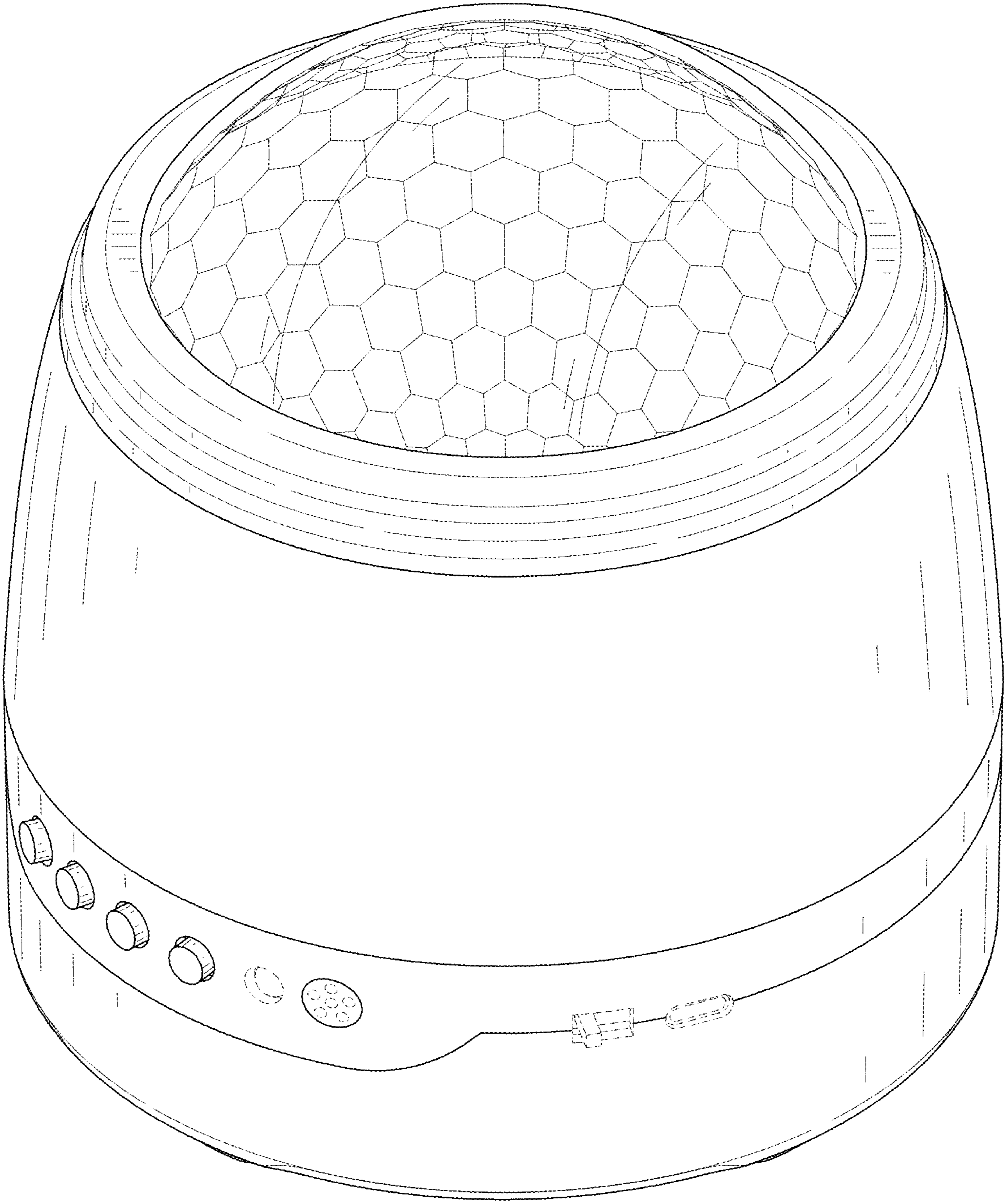


FIG. 1

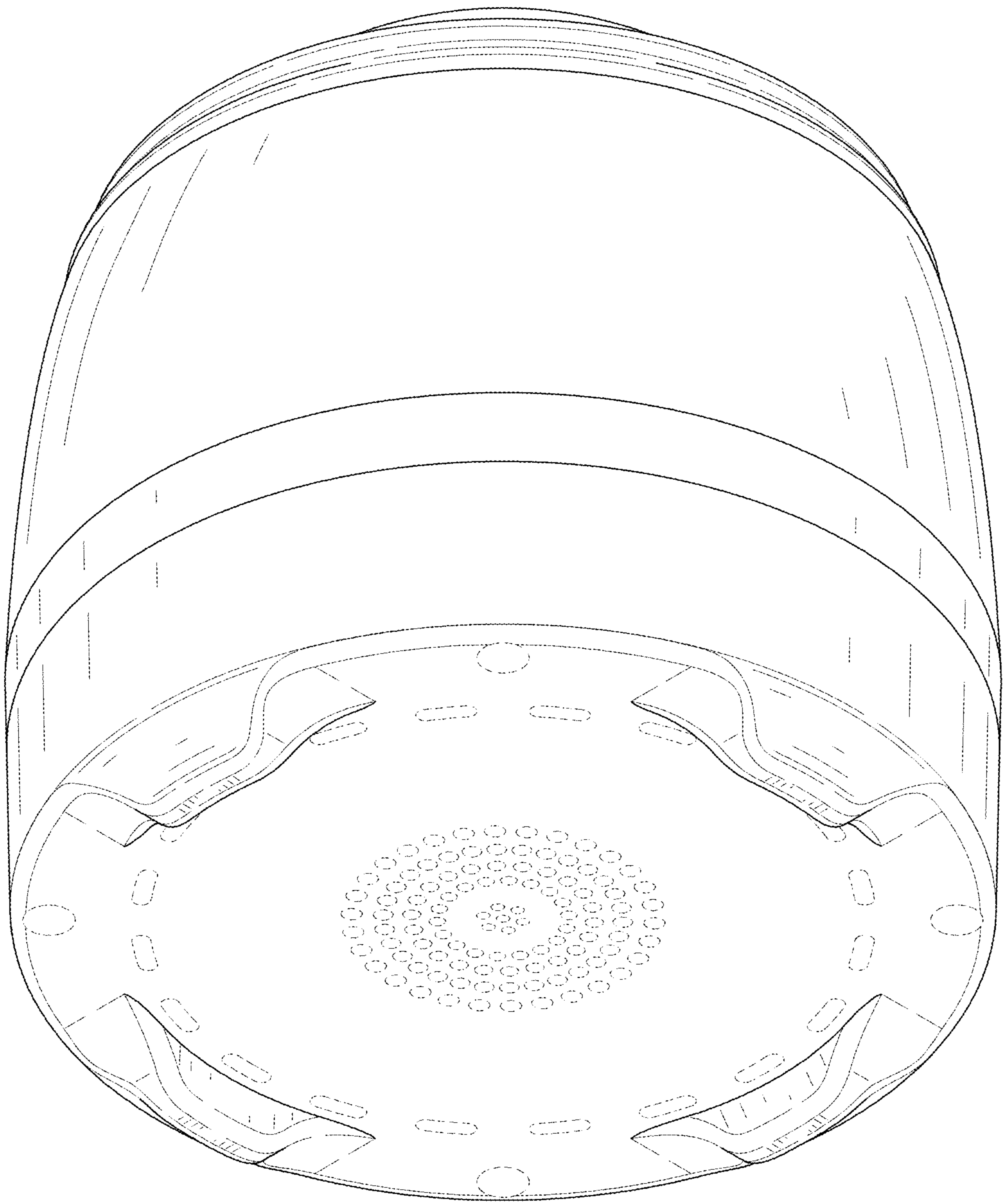


FIG. 2

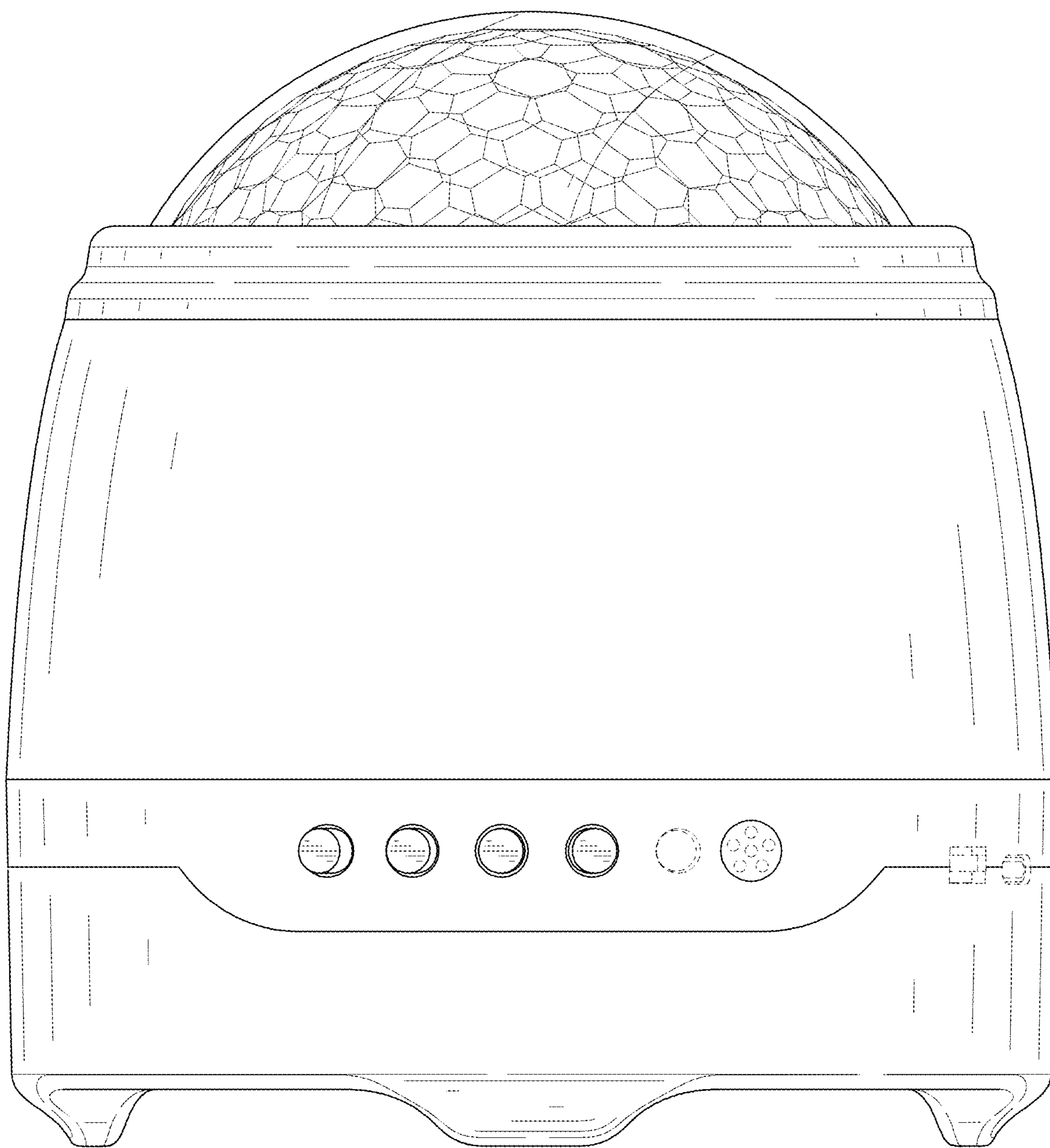


FIG. 3

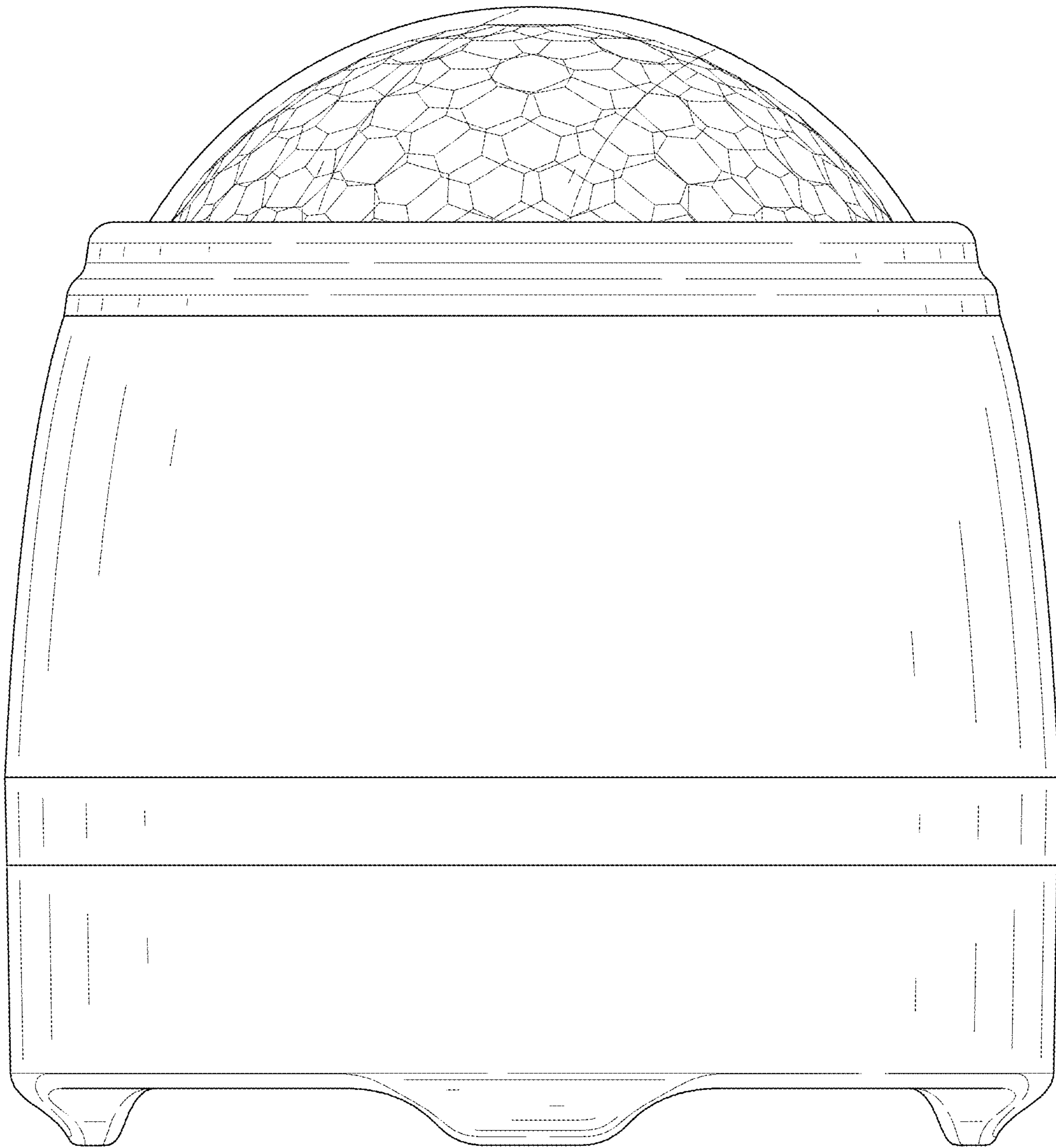


FIG. 4

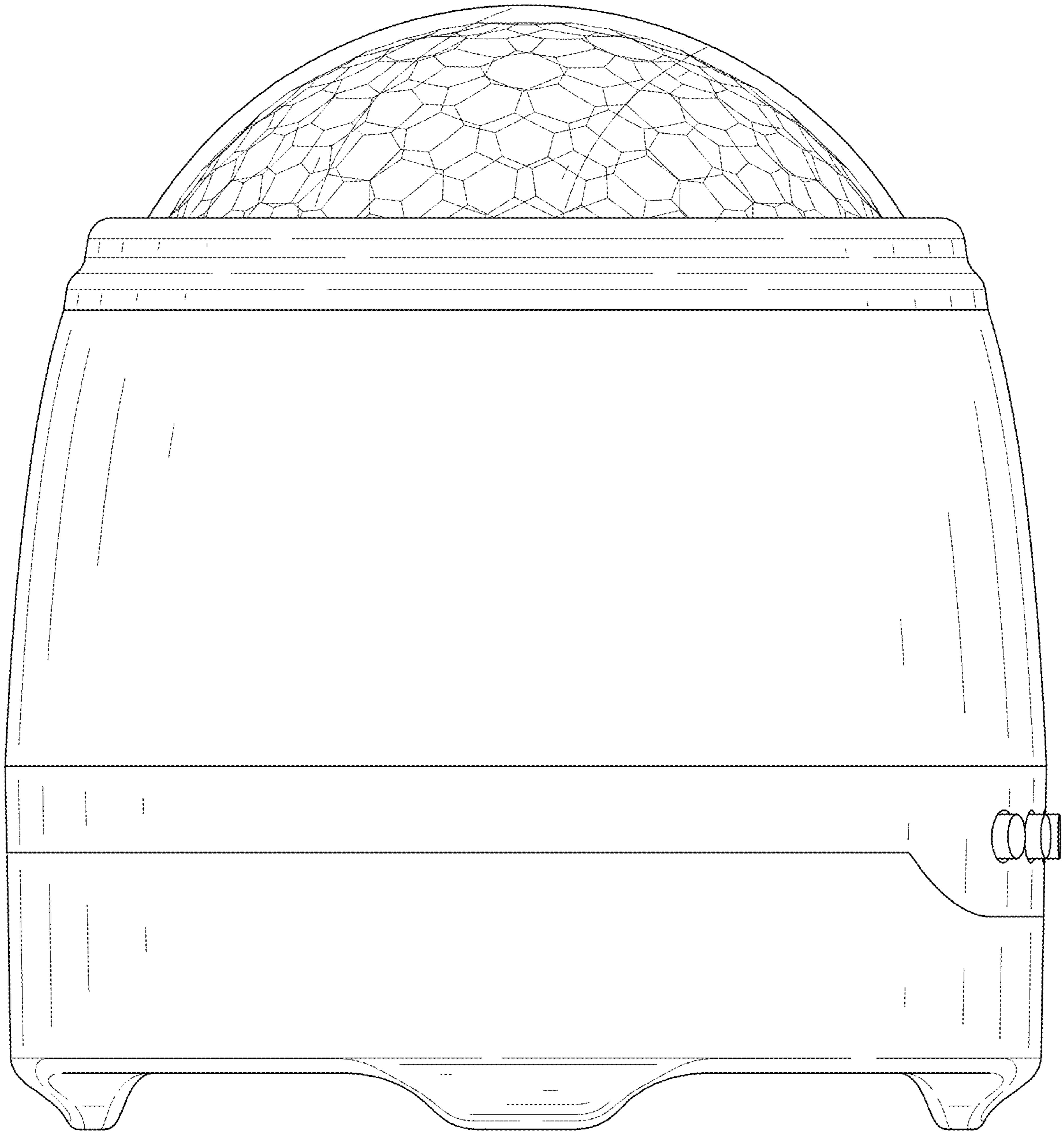


FIG. 5

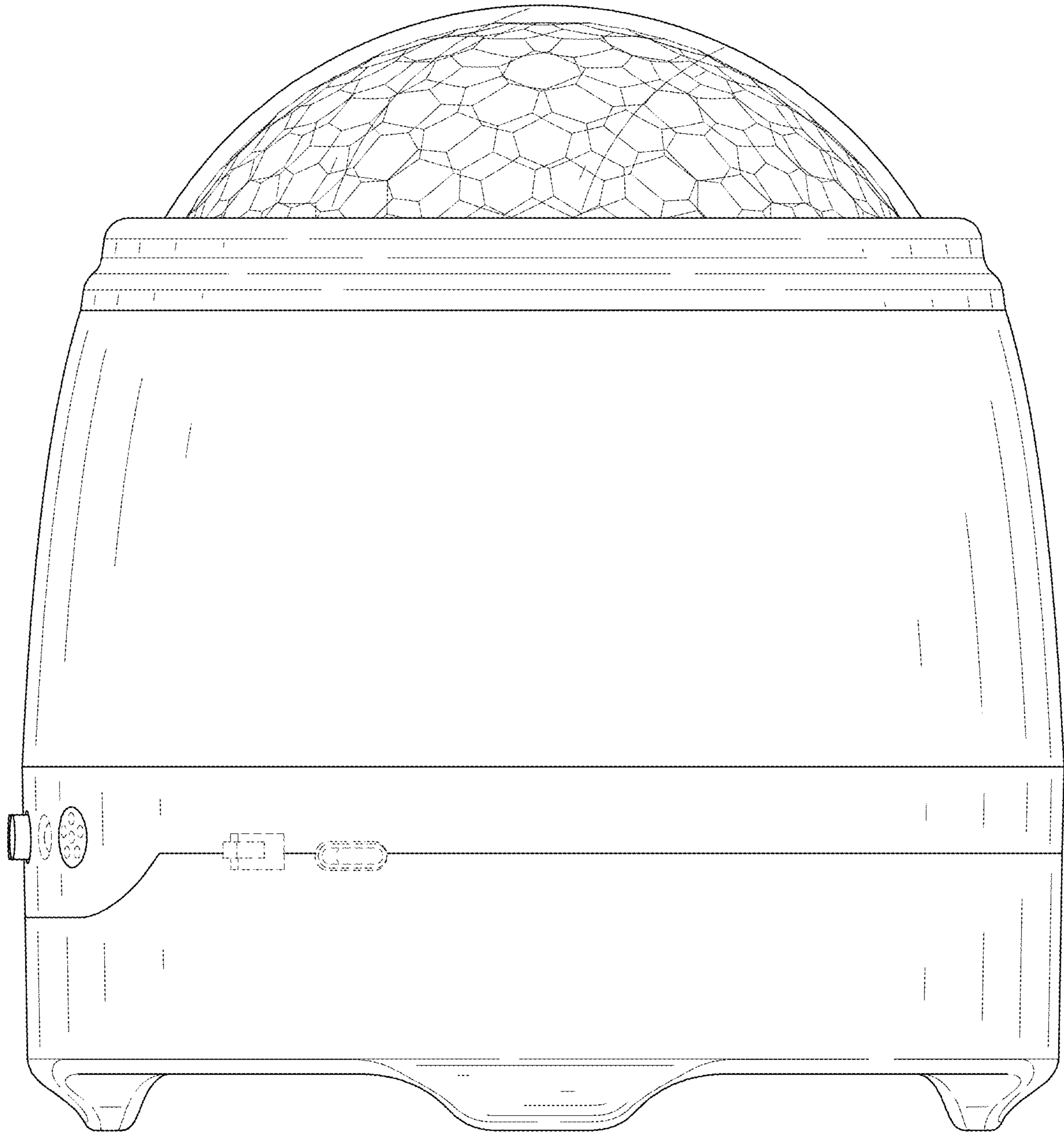


FIG. 6

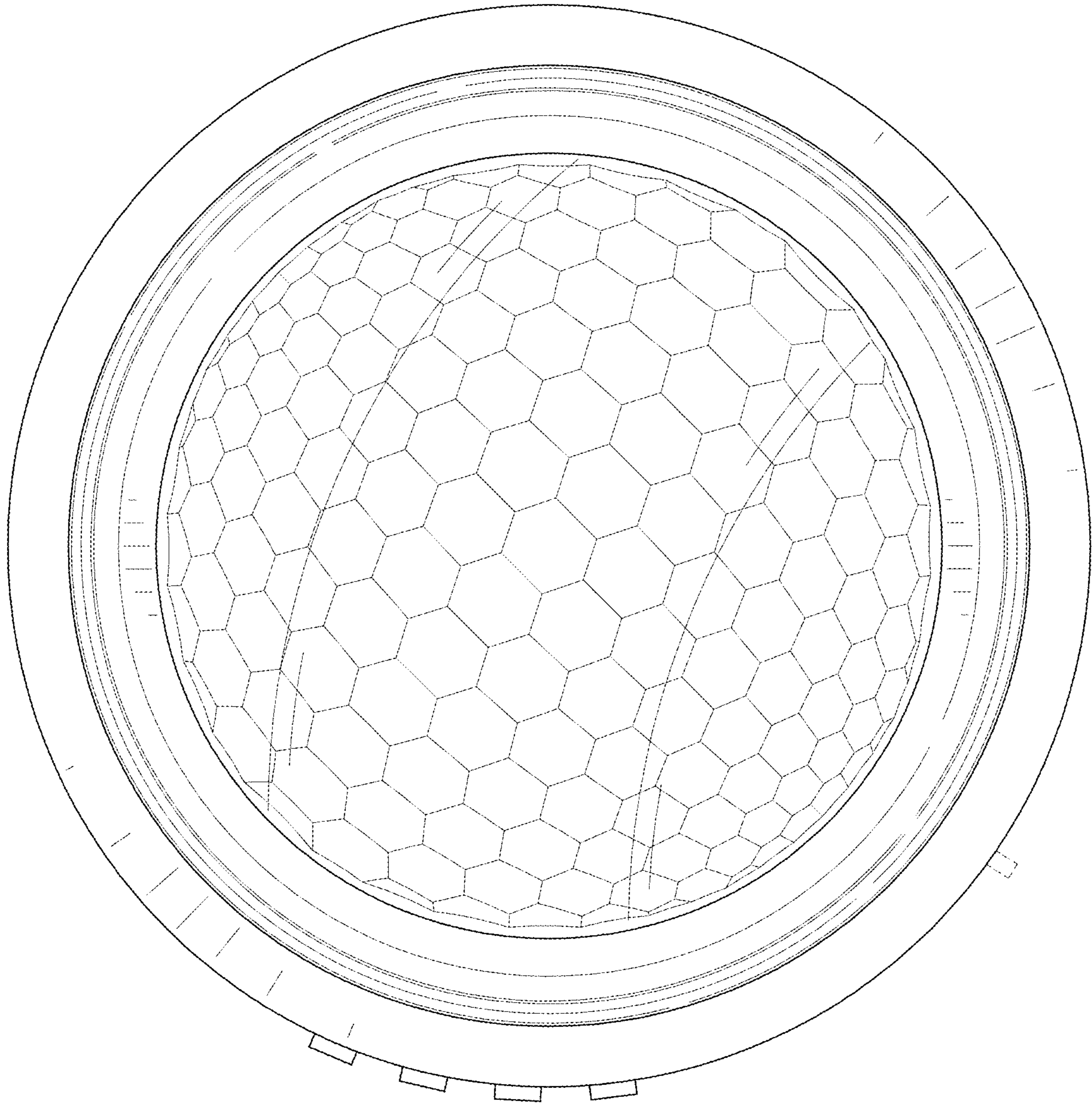


FIG. 7

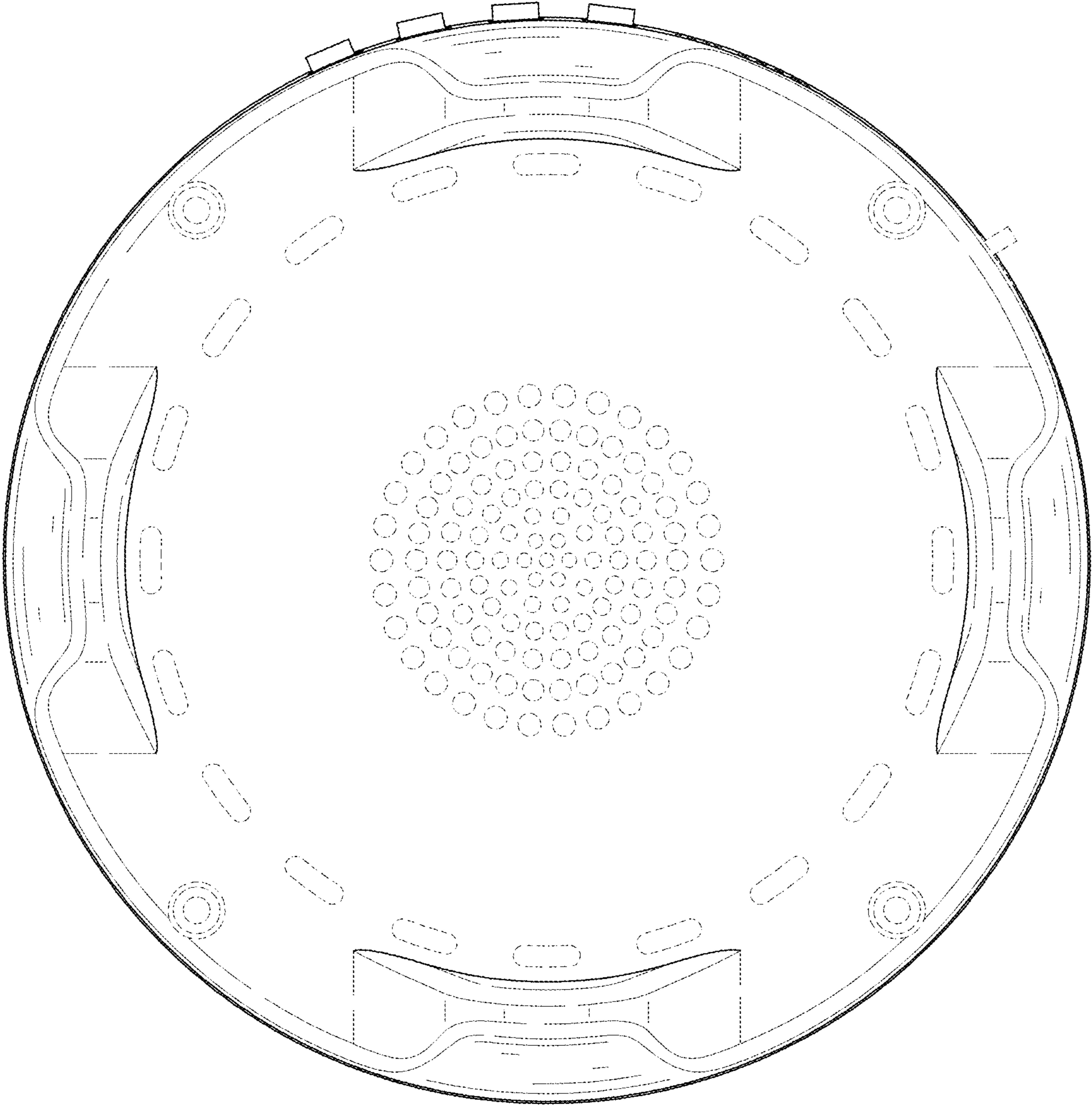


FIG. 8