



US00D912882S

(12) **United States Design Patent** (10) **Patent No.:** **US D912,882 S**
Qiu (45) **Date of Patent:** **** Mar. 9, 2021**

(54) **STANDARD LIGHT SOURCE COLOR MATCHING OBSERVATION BOX**

(71) Applicant: **WENZHOUIYI INSTRUMENTS CO. LTD**, Wenzhou (CN)

(72) Inventor: **Jiayi Qiu**, Wenzhou (CN)

(73) Assignee: **WENZHOUIYI INSTRUMENTS CO. LTD**, Zhejiang (CN)

(**) Term: **15 Years**

(21) Appl. No.: **29/628,201**

(22) Filed: **Dec. 1, 2017**

(30) **Foreign Application Priority Data**

Jun. 1, 2017 (CN) 2017 3 0217258

(51) **LOC (13) Cl.** **26-05**

(52) **U.S. Cl.**
USPC **D26/104**

(58) **Field of Classification Search**
USPC D7/323, 340, 344, 346, 348; D12/86, D12/90-92, 114, 163, 169, 171-173, 181, D12/190, 196, 197, 199, 400; D14/218; D26/28-37, 104; D6/672
CPC ... B62J 6/02; B62J 6/00; B60Q 3/0279; F21S 48/00; F21S 48/10; F21S 48/115; F21S 48/225; F21S 48/1233; F21S 48/1266; F21S 48/1388; F21S 48/2268; F21V 21/04
See application file for complete search history.

(56) **References Cited**

U.S. PATENT DOCUMENTS

D523,685 S * 6/2006 Jung D7/340
D541,577 S * 5/2007 Kim D7/340
D641,571 S * 7/2011 Feldman D6/678.2
D646,113 S * 10/2011 Park D7/348

D772,221 S * 11/2016 Kacin D14/308
D778,474 S * 2/2017 Scazziga D26/37
D787,257 S * 5/2017 Kim D7/339
D788,512 S * 6/2017 Kim D7/323
D805,832 S * 12/2017 Kim D7/340
D824,368 S * 7/2018 Kacin D14/218
2018/0120161 A1* 5/2018 Qiu G01J 3/10
2018/0120162 A1* 5/2018 Qiu G01J 3/10
2018/0122061 A1* 5/2018 Chatterjee G06T 7/90

OTHER PUBLICATIONS

Autogarment | LAB | What is Fabric Light Box or Textile Light Box?, posted by Engr. Kh. Mashiur Rahman on Sep. 2, 2016, © 2019 [online], [site visited Sep. 12, 2019]. Available from Internet, <URL: <https://autogarment.com/fabric-light-box-textile/>>.*

Indiamart | Product Detail | X-rite Spectra Light QC Color Matching Machine, posted on Sep. 14, 2016, © 1996-2019 IndiaMART InterMESH Ltd. [online], [site visited Sep. 12, 2019]. Available from Internet, <URL: <https://www.indiamart.com/proddetail/spectra-light-qc-color-matching-machine-13259569930.html>>.*

* cited by examiner

Primary Examiner — Cary M Robinson

(74) *Attorney, Agent, or Firm* — Proi Intellectual Property US; Klaus Michael Schmid

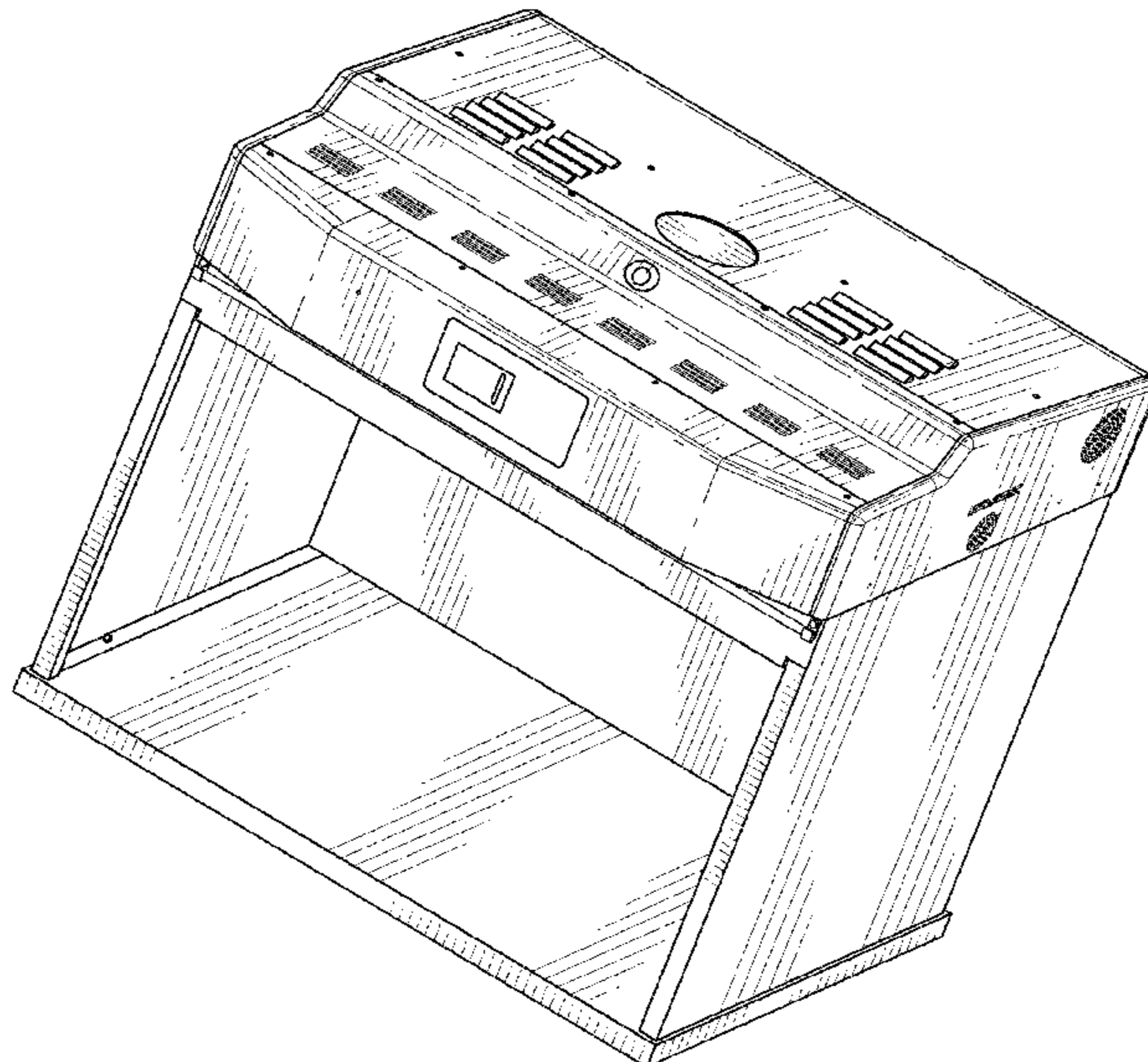
(57) **CLAIM**

The ornamental design for a standard light source color matching observation box, as shown and described.

DESCRIPTION

FIG. 1 is a perspective front View of a standard light source color matching observation box;
FIG. 2 is a front View thereof;
FIG. 3 is a rear View thereof;
FIG. 4 is a top View thereof;
FIG. 5 is a left side View thereof; and,
FIG. 6 is a right side View thereof.

1 Claim, 6 Drawing Sheets



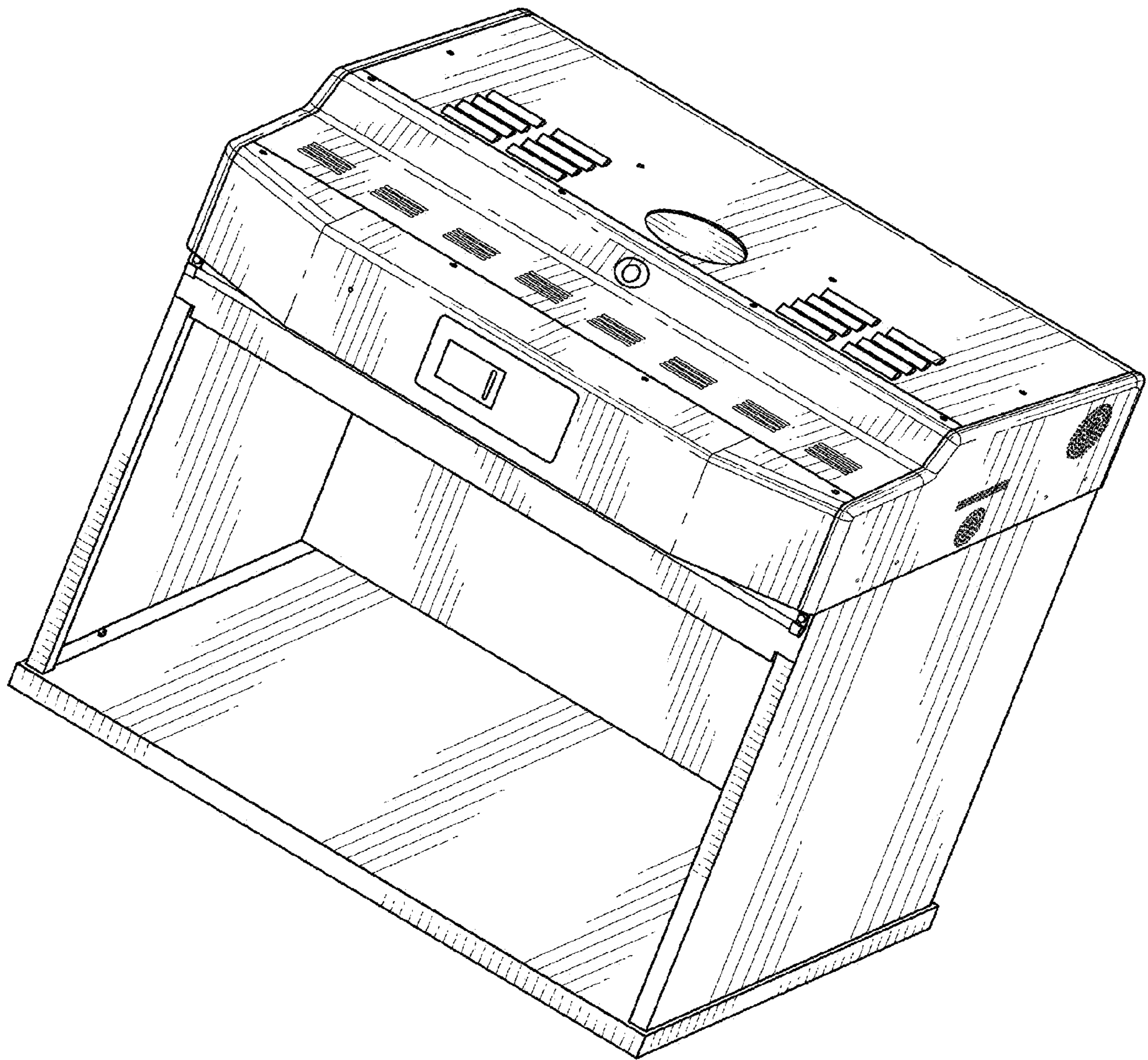


FIG. 1

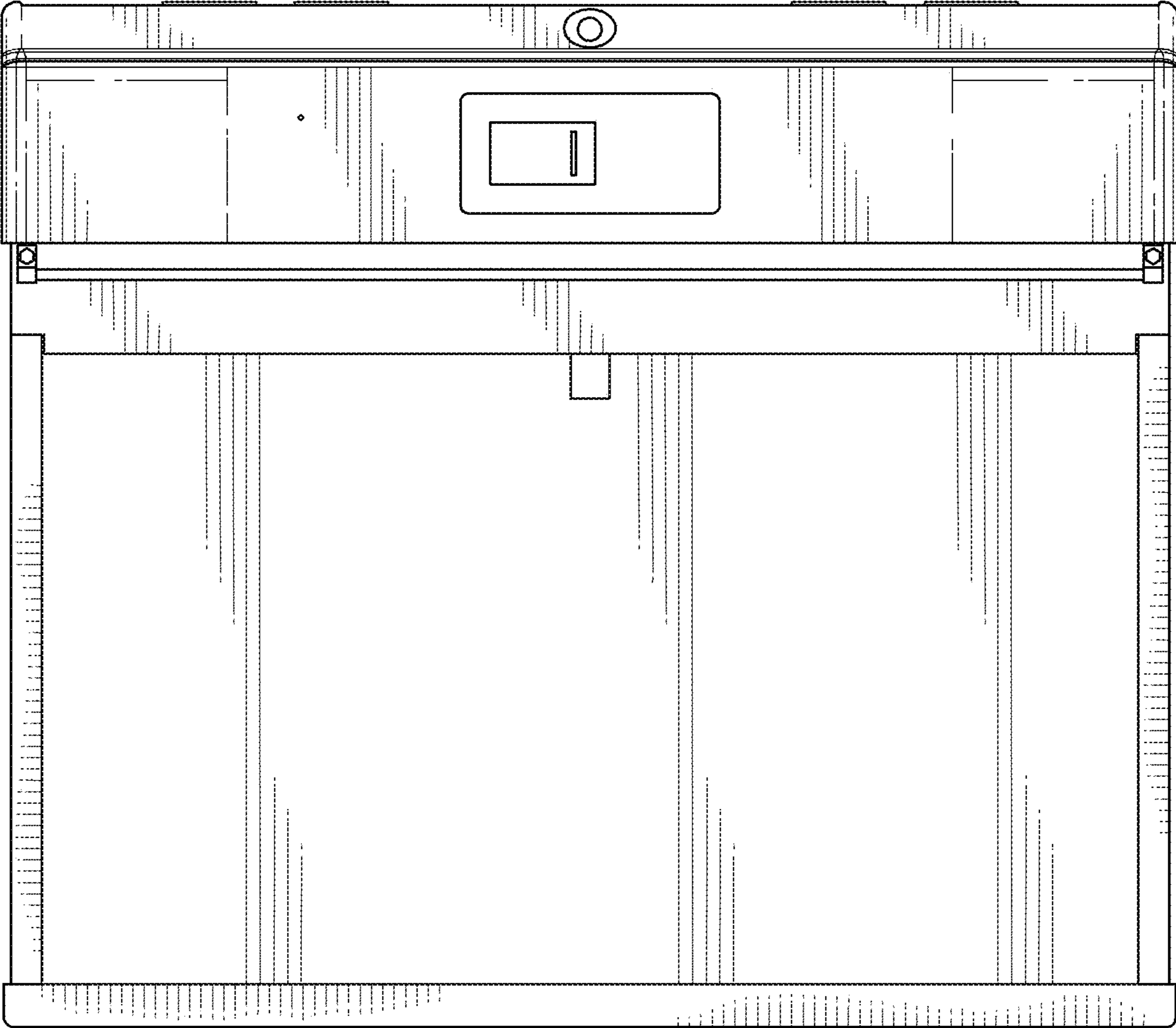


FIG. 2

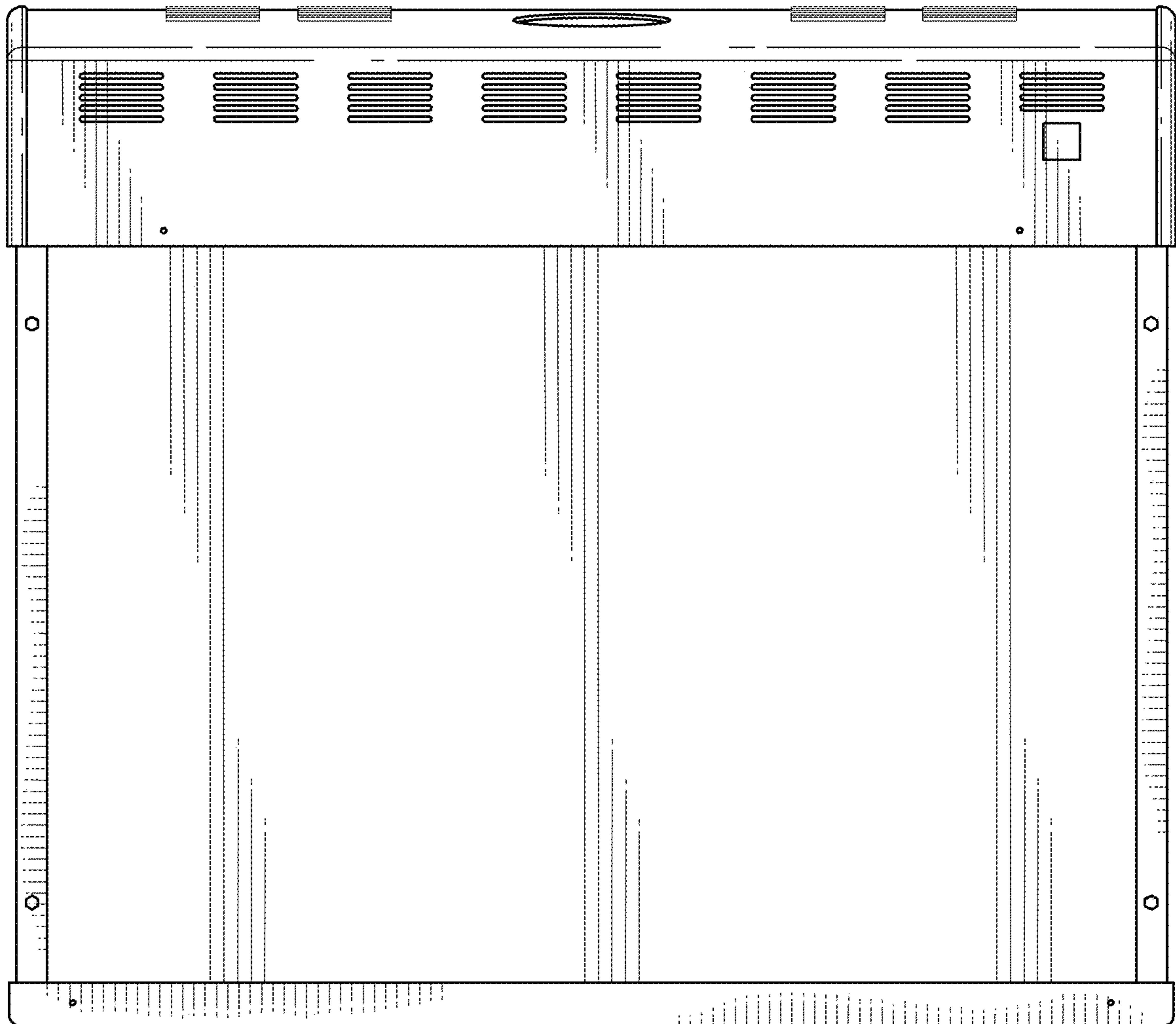


FIG. 3

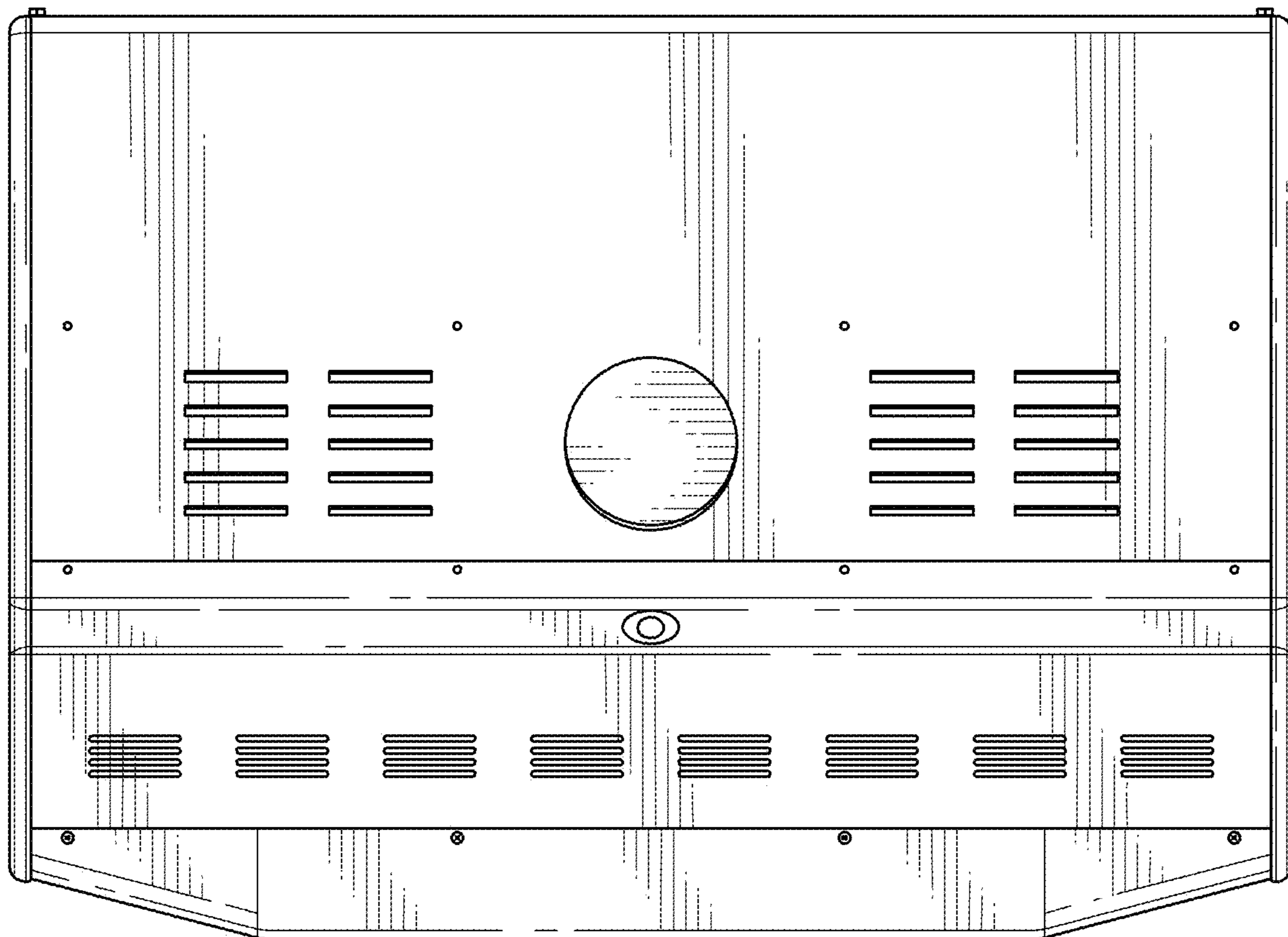


FIG. 4

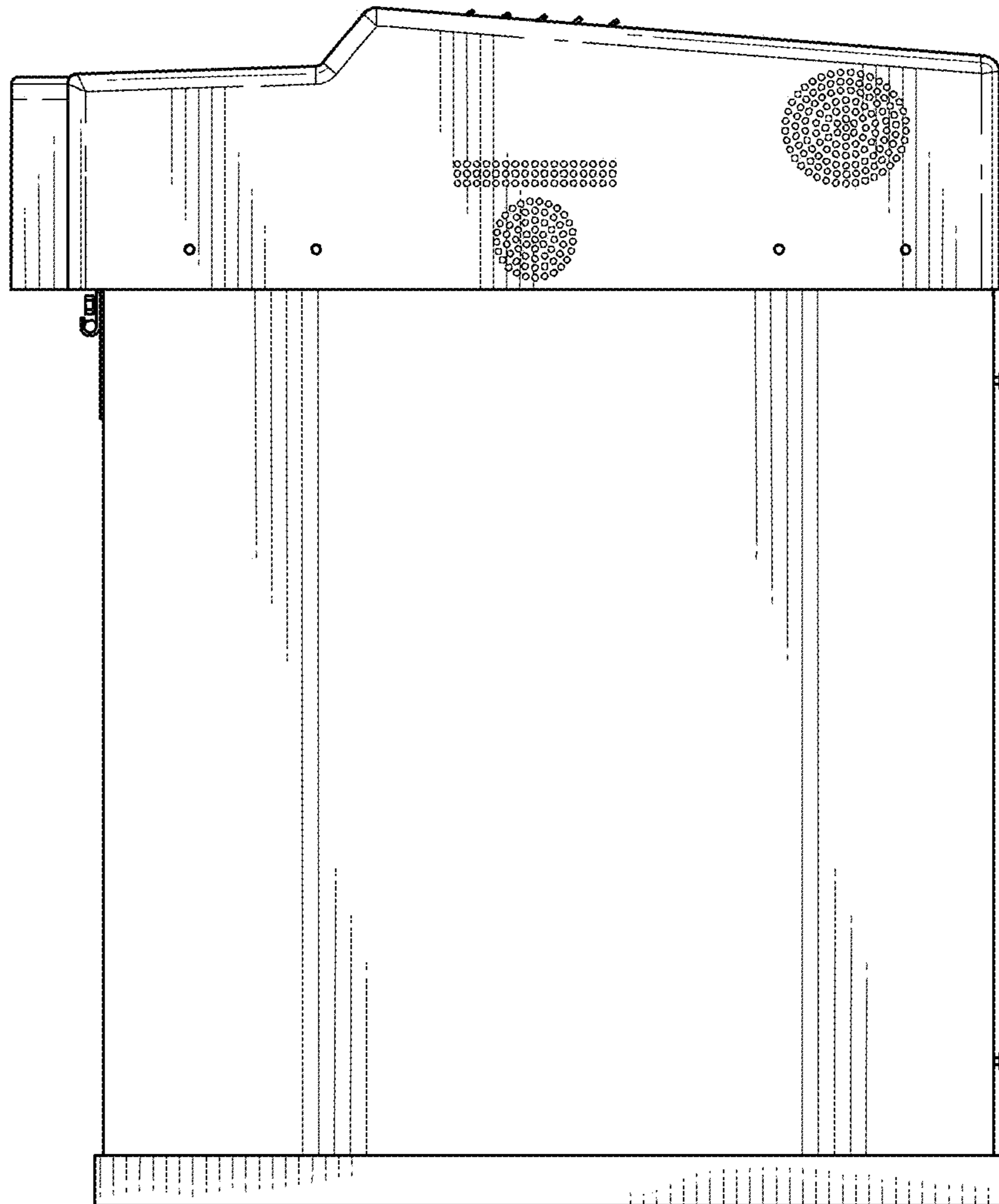


FIG. 5

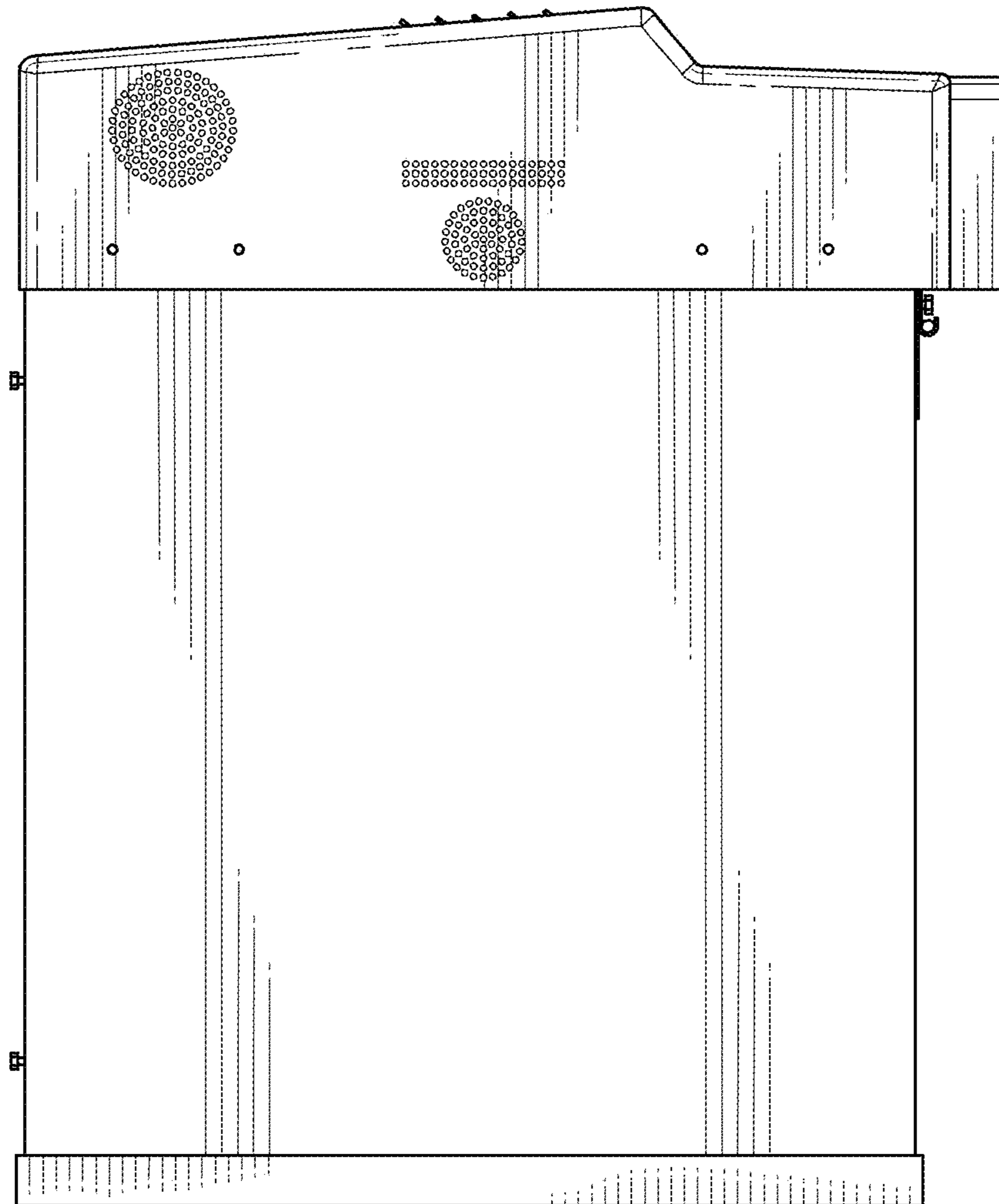


FIG. 6