



US00D912881S

(12) **United States Design Patent** (10) **Patent No.:** **US D912,881 S**  
**David-Swan** (45) **Date of Patent:** **\*\* Mar. 9, 2021**

(54) **LAMP**

(71) Applicant: **Dawn David-Swan**, Elmont, NY (US)

(72) Inventor: **Dawn David-Swan**, Elmont, NY (US)

(\*\*) Term: **15 Years**

(21) Appl. No.: **29/652,240**

(22) Filed: **Jun. 24, 2020**

**Related U.S. Application Data**

(62) Division of application No. 29/657,765, filed on Jul. 25, 2018, now Pat. No. Des. 893,792.

(51) **LOC (13) Cl.** ..... **26-03**

(52) **U.S. Cl.**  
USPC ..... **D26/94**

(58) **Field of Classification Search**  
USPC ... D26/1, 24, 4, 32, 37, 47, 57, 93, 94, 106,  
D26/110; D9/679, 772; D11/118, 157  
CPC .... F21S 6/00; F21S 6/002; F21V 1/00; F21V  
3/00; F21V 21/02; F21W 2121/00; F21W  
2131/30; B65D 17/165  
See application file for complete search history.

(56) **References Cited**

U.S. PATENT DOCUMENTS

D261,688 S *	11/1981	Kvasnicka	.....	D26/94
D693,729 S *	11/2013	Mitchell	.....	D11/118
D730,237 S *	5/2015	Kopenec	.....	D11/157
D738,559 S *	9/2015	Epstein	.....	D26/106
D754,386 S *	4/2016	Motta	.....	D26/94
D770,669 S *	11/2016	Haras	.....	D26/94

\* cited by examiner

*Primary Examiner* — Brian N. Vinson

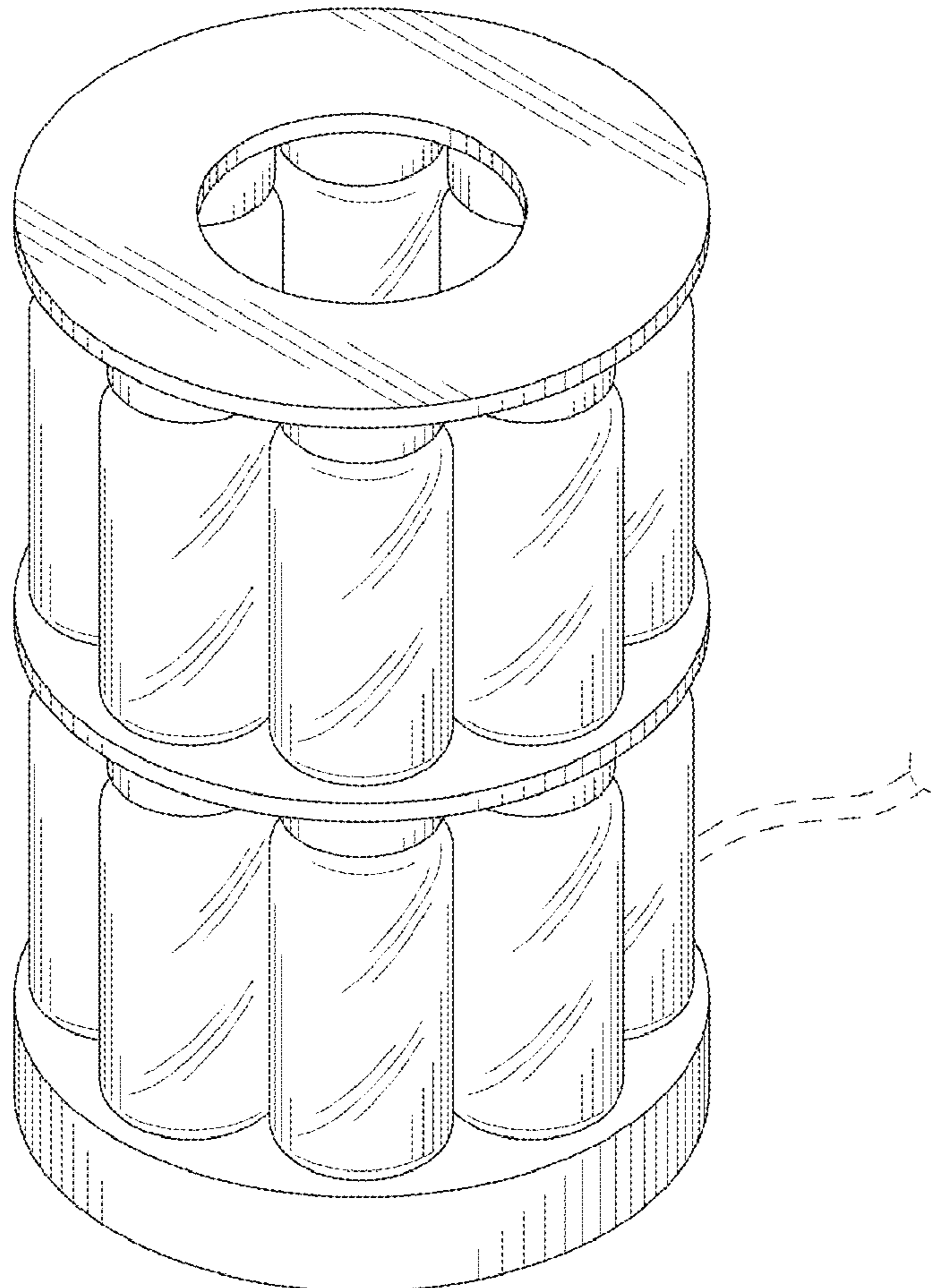
(57) **CLAIM**

The ornamental design for a lamp, as shown and described.

**DESCRIPTION**

FIG. 1 is a top front perspective view of a lamp, showing my new design;  
FIG. 2 is a front elevation view thereof, the rear elevation view being a mirror image thereof;  
FIG. 3 is a right side elevation view thereof, the left side elevation view being a mirror image thereof;  
FIG. 4 is a top elevation view thereof; and,  
FIG. 5 is a bottom elevation view thereof.  
The broken lines shown in the drawings depict portions of the lamp that form no part of the claimed invention.

**1 Claim, 3 Drawing Sheets**



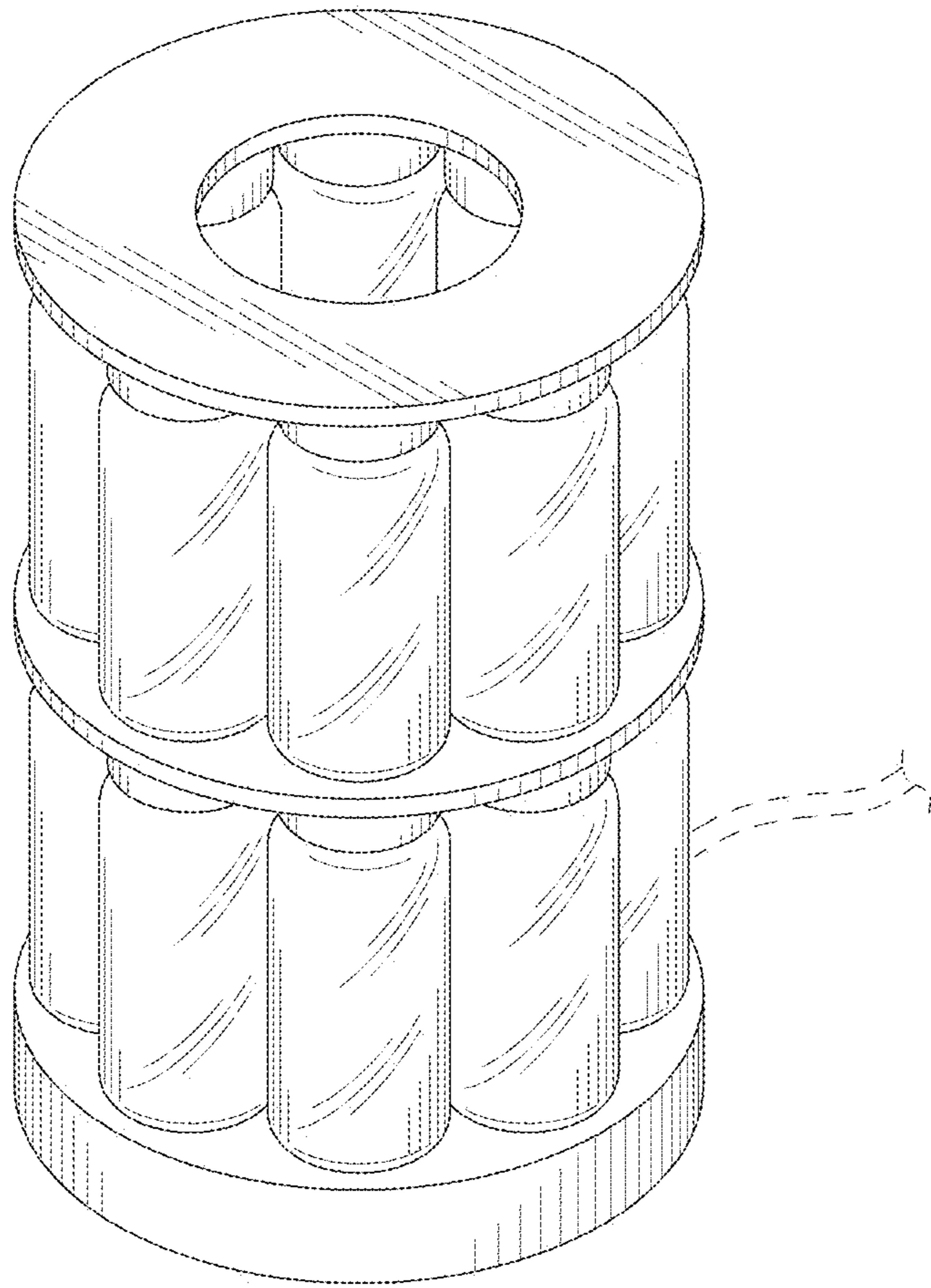


FIG. 1

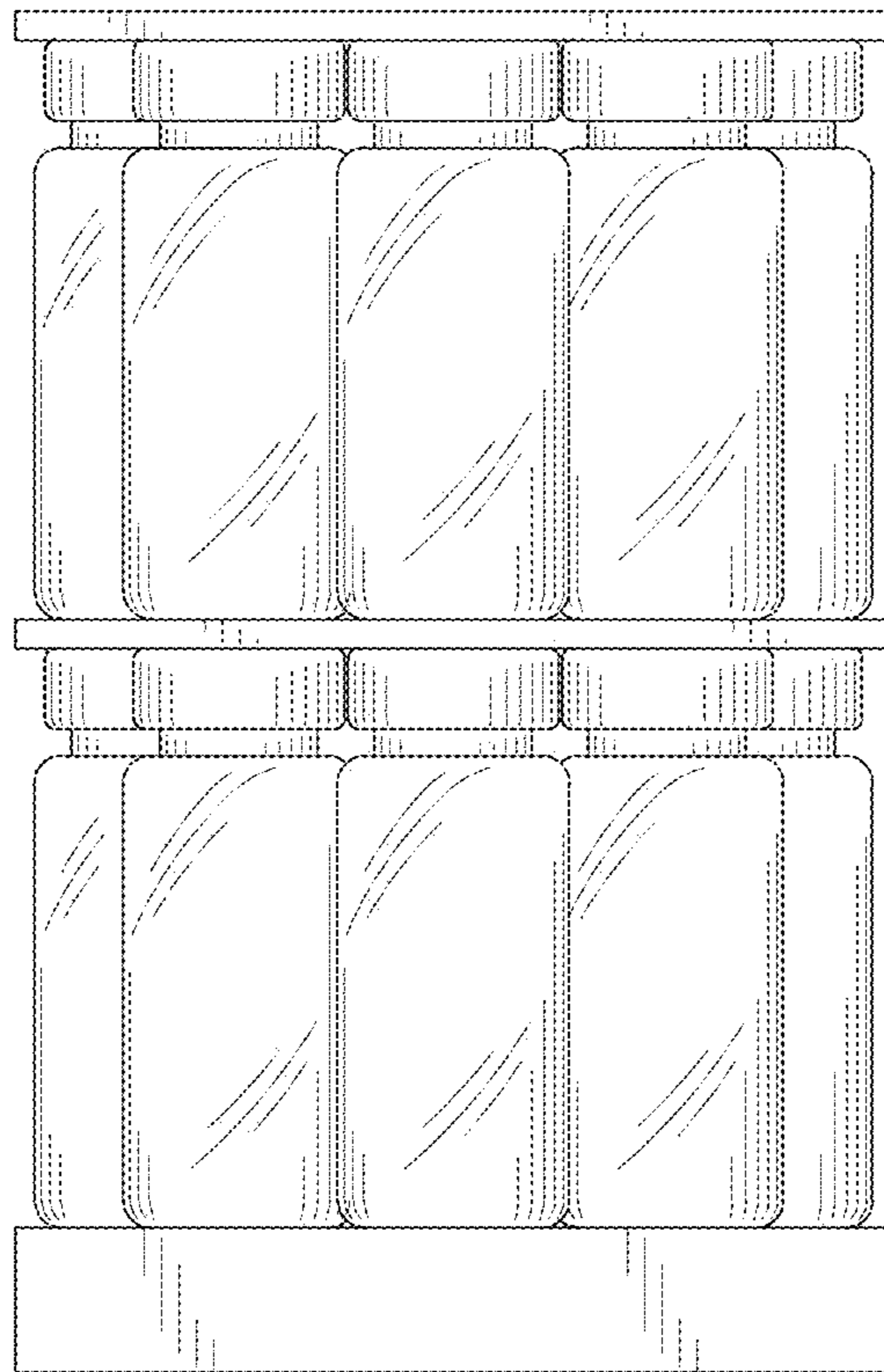


FIG. 2

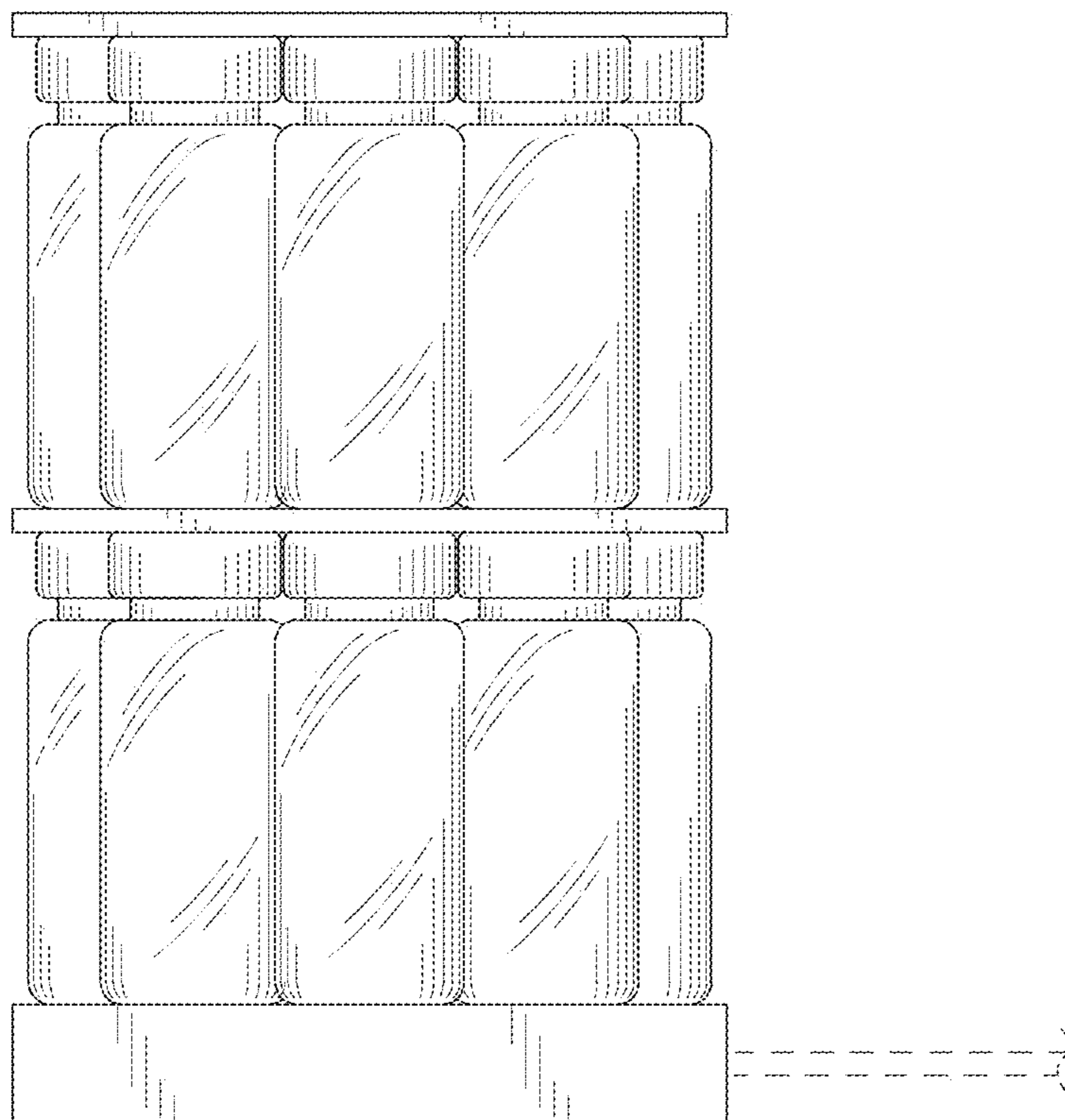


FIG. 3

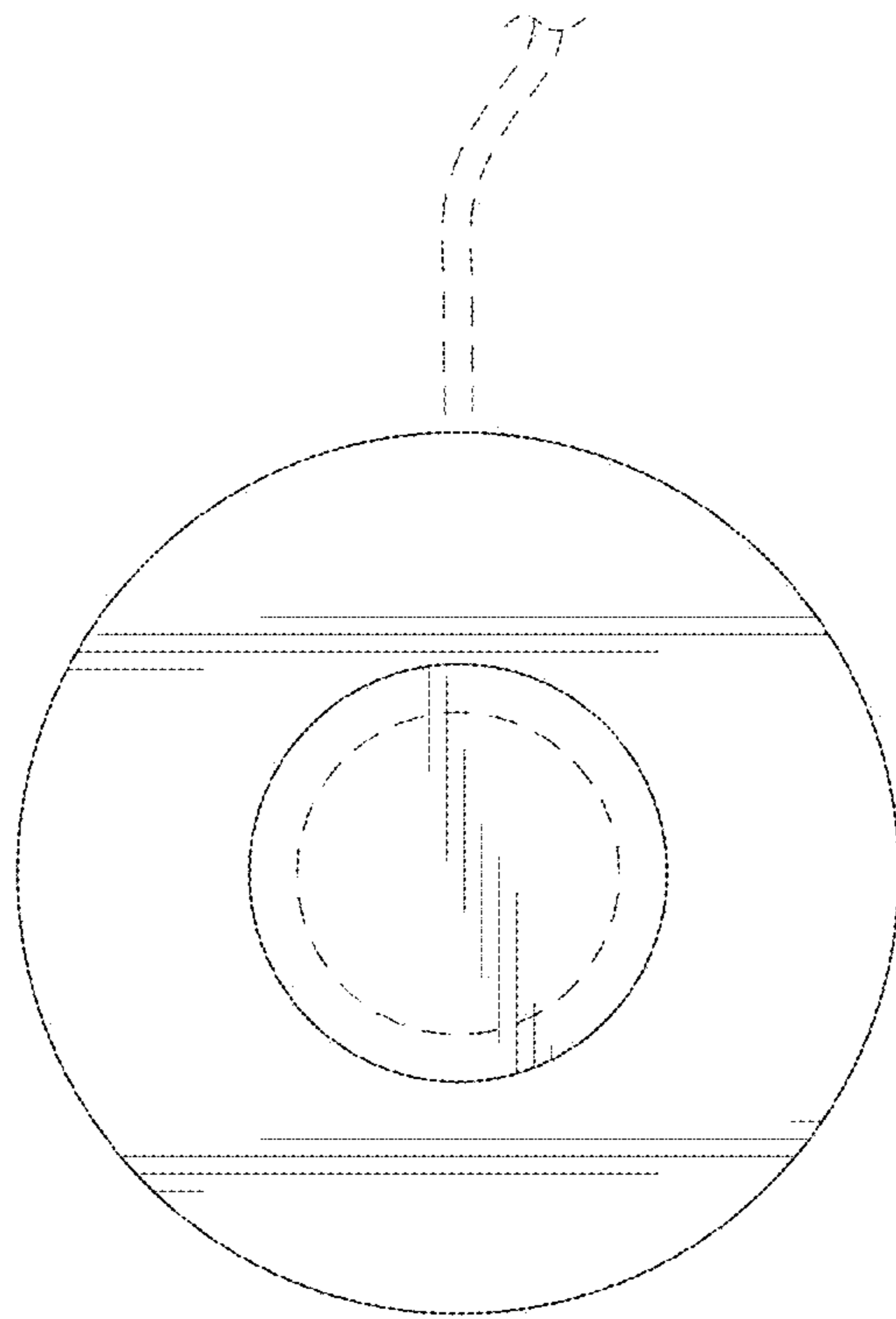


FIG. 4

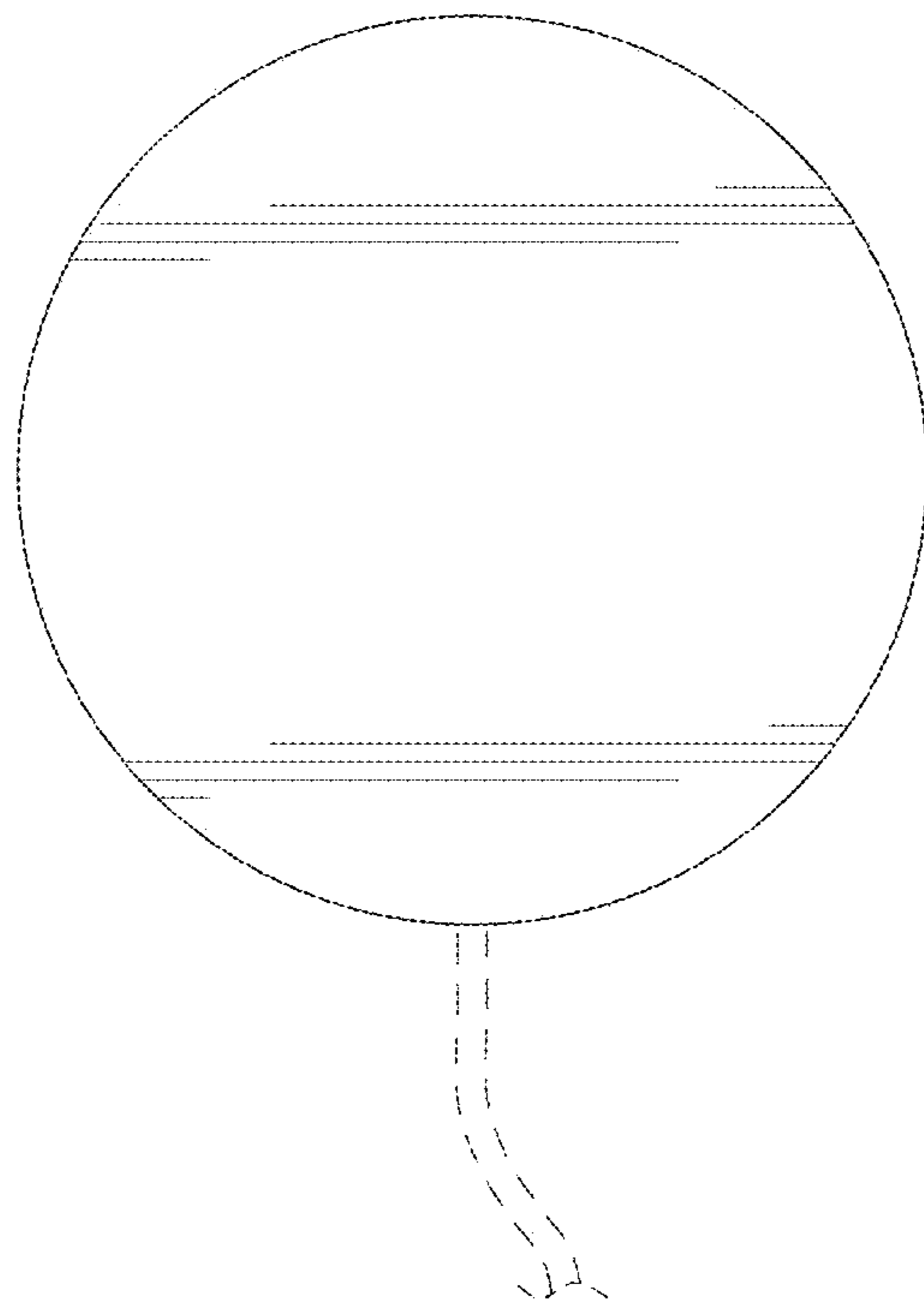


FIG. 5